



US00D591343S

(12) **United States Design Patent**
Hussy et al.

(10) **Patent No.:** **US D591,343 S**
(45) **Date of Patent:** **** Apr. 28, 2009**

(54) **NOTEBOOK**

DESCRIPTION

- (75) Inventors: **Lance Hussy**, Simi Valley, CA (US);
Kurt Botsai, Thousand Oaks, CA (US)
 - (73) Assignee: **Church Of Spiritual Technology**, Los Angeles, CA (US)
 - (**) Term: **14 Years**
 - (21) Appl. No.: **29/281,647**
 - (22) Filed: **Jun. 27, 2007**
 - (51) **LOC (9) Cl.** **19-04**
 - (52) **U.S. Cl.** **D19/27**
 - (58) **Field of Classification Search** D6/626,
D6/632, 407; D3/303, 301; D19/27, 26,
D19/90, 30, 31; D9/423; 402/73; 281/37,
281/31, 4, 29
- See application file for complete search history.

(56) **References Cited**

U.S. PATENT DOCUMENTS

2,537,135	A	1/1951	Hempel	
D313,619	S *	1/1991	Moor	D19/27
D319,659	S *	9/1991	Moor	D19/27
D319,660	S *	9/1991	Moor	D19/27
D326,226	S *	5/1992	Gerhart	D9/423
D413,923	S *	9/1999	Brown et al.	D19/27
D414,801	S *	10/1999	Karten et al.	D19/27
D435,591	S *	12/2000	Wyant	D19/27

(Continued)

Primary Examiner—Cathron C Brooks
Assistant Examiner—Austin Murphy
(74) *Attorney, Agent, or Firm*—Seldon & Scillieri

(57) **CLAIM**

The ornamental design for a notebook, as shown and described.

FIG. 1 is a perspective view of a notebook in accordance with the present invention, and in its closed configuration;

FIG. 2 is a front plan view thereof, a rear plan view being a mirror image thereof with respect to a vertical plane;

FIG. 3 is a bottom elevation view of the notebook illustrated in FIG. 2, a top elevation view being a mirror image thereof with respect to a horizontal plane, representative contents of the notebook being illustrated in dotted lines and not forming part of the invention;

FIG. 4 is a left side elevation view of the notebook as oriented in FIG. 3;

FIG. 5 is a right side elevation view of the notebook as oriented in FIG. 3, representative contents of the notebook being illustrated in dotted lines and not forming part of the invention;

FIG. 6 is a perspective view of the notebook as illustrated in FIG. 1, but in its opened configuration representative contents of the notebook being illustrated in dotted lines and not forming part of the invention;

FIG. 7 is a front plan view of the opened notebook illustrated in FIG. 6, representative contents of the notebook being illustrated in dotted lines and not forming part of the invention;

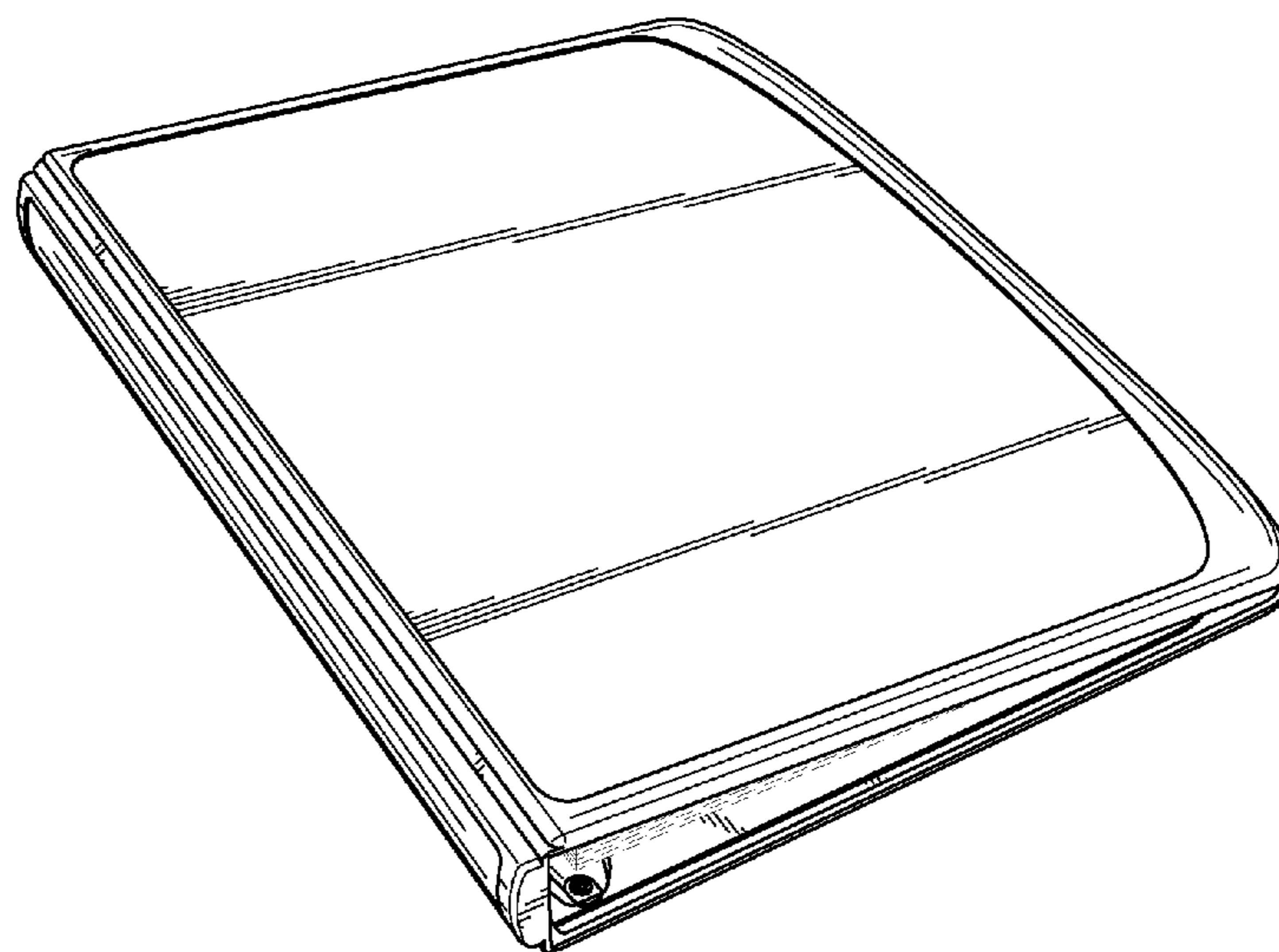
FIG. 8 is a bottom elevation view of the notebook as oriented in FIG. 7, representative contents of the notebook being illustrated in dotted lines and not forming part of the invention;

FIG. 9 is a left side elevation view of the notebook as oriented in FIG. 7 representative contents of the notebook being illustrated in dotted lines and not forming part of the invention;

FIG. 10 is a right side elevation view of the notebook as oriented in FIG. 7 representative contents of the notebook being illustrated in dotted lines and not forming part of the invention; and,

FIG. 11 is a back plan view of the notebook as oriented in FIG. 7.

1 Claim, 6 Drawing Sheets



US D591,343 S

Page 2

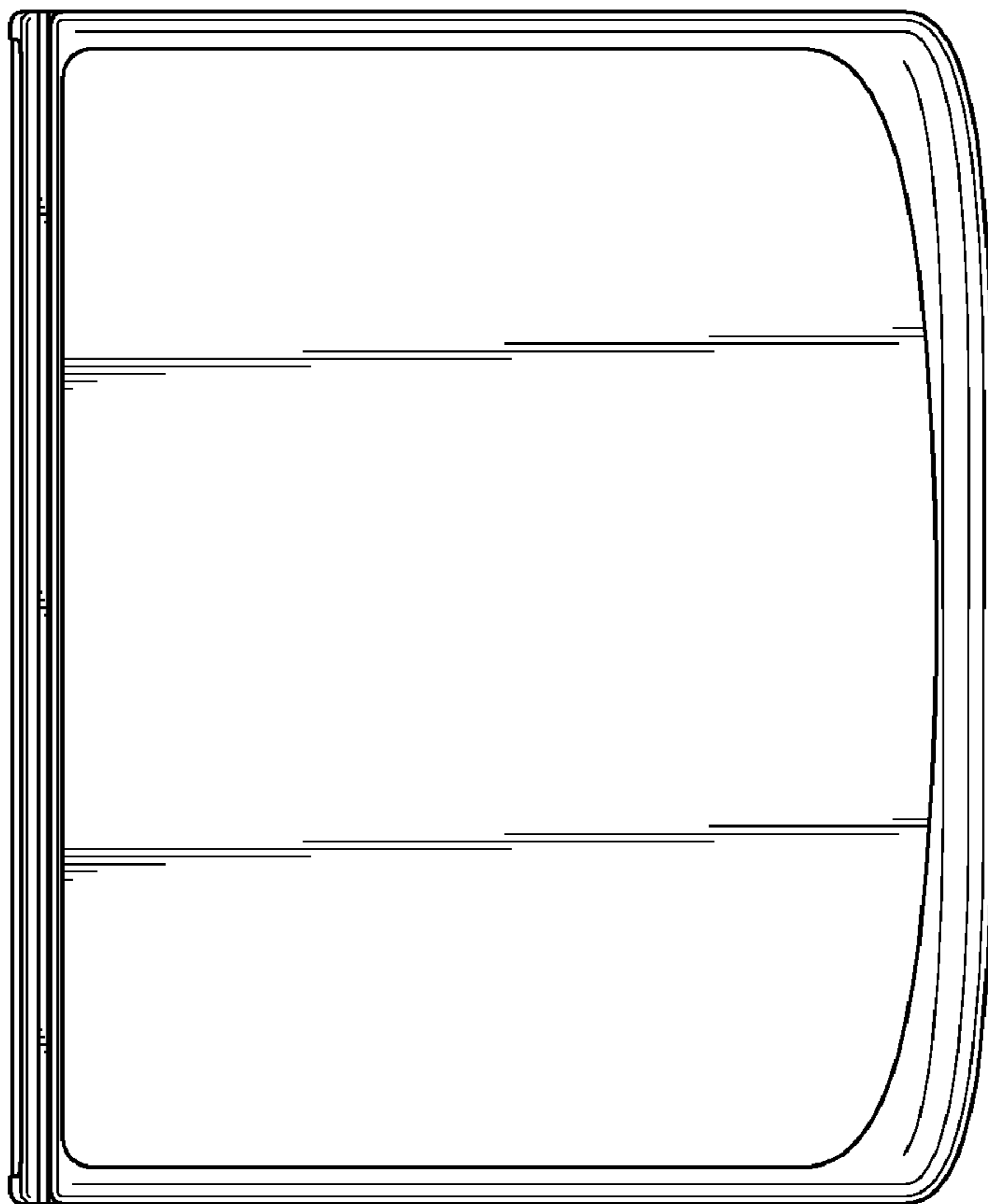
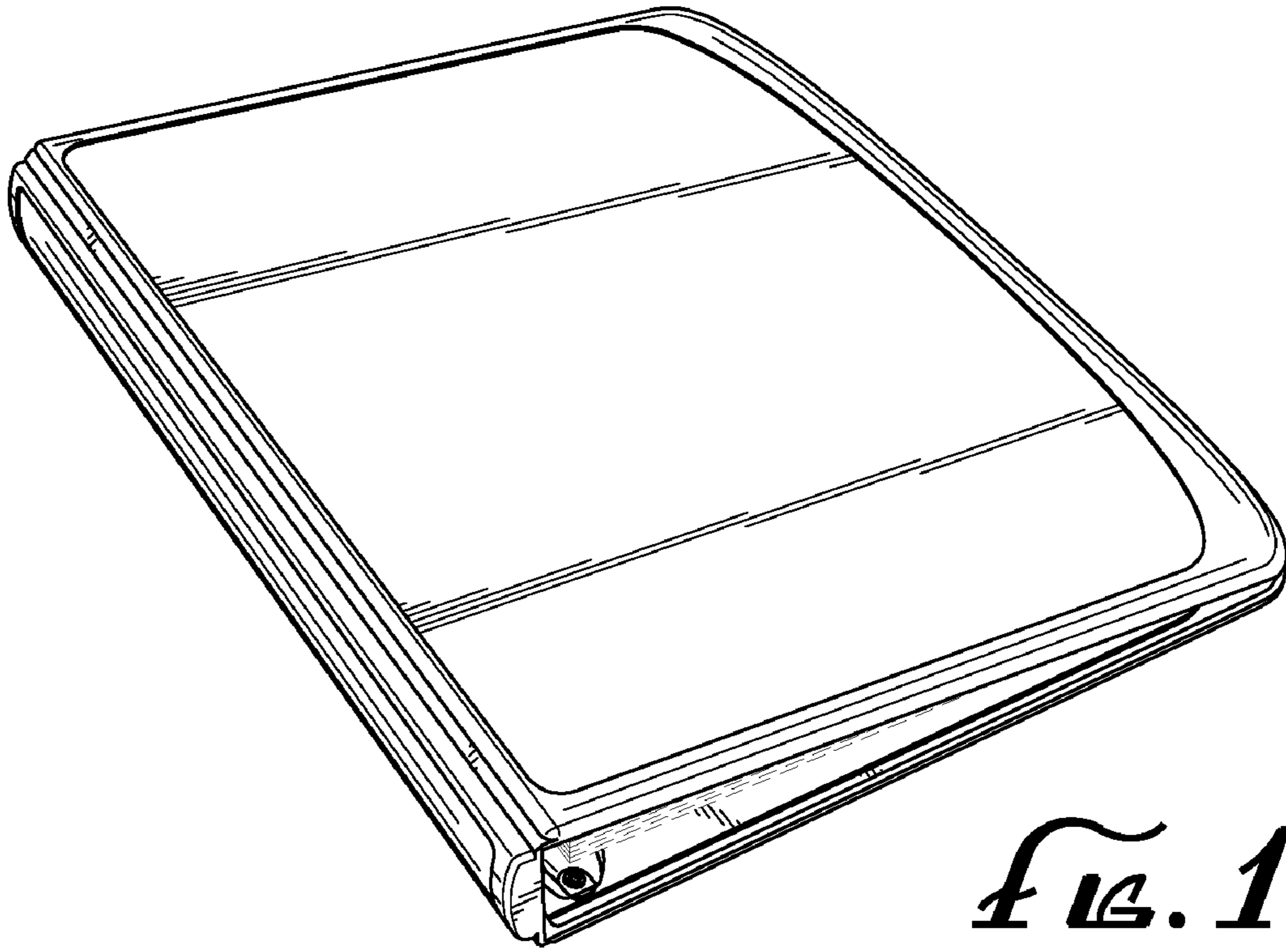
(Continued)

U.S. PATENT DOCUMENTS

6,206,602 B1 3/2001 Yamamoto
6,213,668 B1 4/2001 Brown
D449,645 S * 10/2001 Gung D19/26
D451,964 S * 12/2001 Chan D19/90
D455,910 S * 4/2002 Cheris et al. D6/407
D459,391 S * 6/2002 Huang D19/27
D462,224 S 9/2002 Bellin
D462,561 S 9/2002 Bellin
D476,682 S 7/2003 Berry
D481,074 S * 10/2003 Shapiro et al. D19/90

6,659,272 B2 12/2003 Bellin
D495,185 S * 8/2004 Palmer D6/632
D500,204 S * 12/2004 Hillman D3/301
D504,463 S * 4/2005 Wehmeyer D19/26
D513,038 S * 12/2005 Ong D19/26
D526,018 S * 8/2006 Salander et al. D19/26
D549,283 S * 8/2007 Bharna D19/27
D569,426 S * 5/2008 Stockstill et al. D19/26
7,399,136 B2 * 7/2008 Petrie et al. 402/73
D575,333 S * 8/2008 Witter D19/26
2003/0071454 A1 * 4/2003 Muchin et al. 281/31
2004/0164543 A1 * 8/2004 Yamamoto et al. 281/29

* cited by examiner



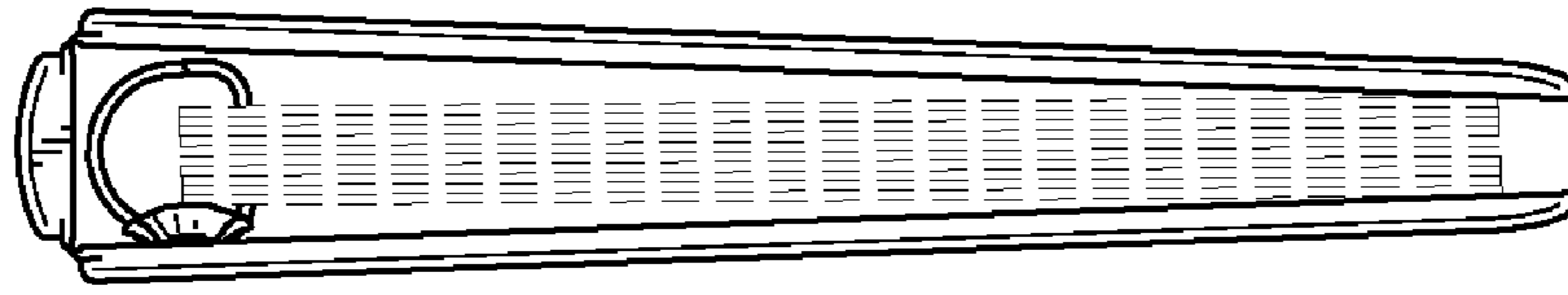


FIG. 3

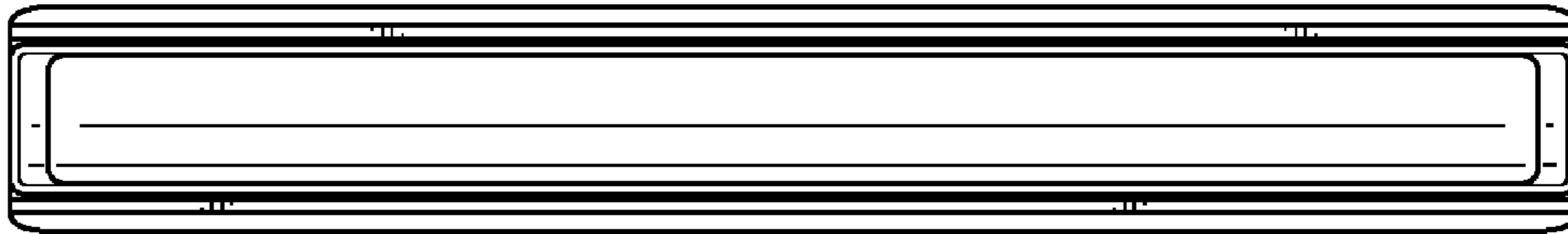


FIG. 4

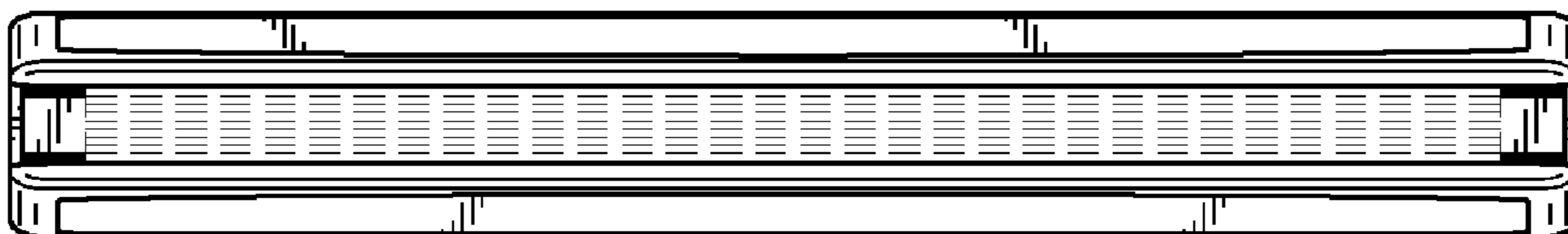


FIG. 5

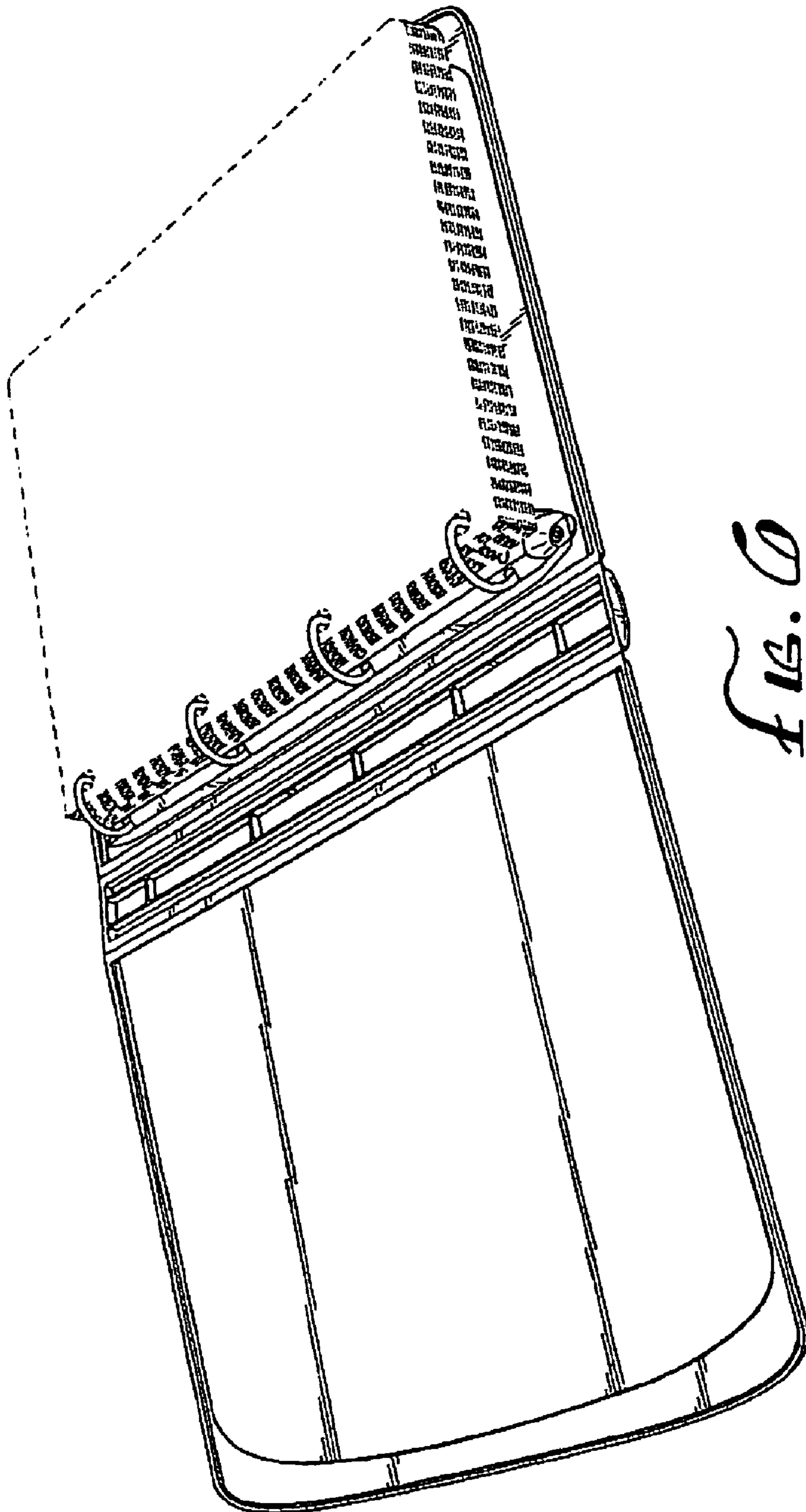


FIG. 6

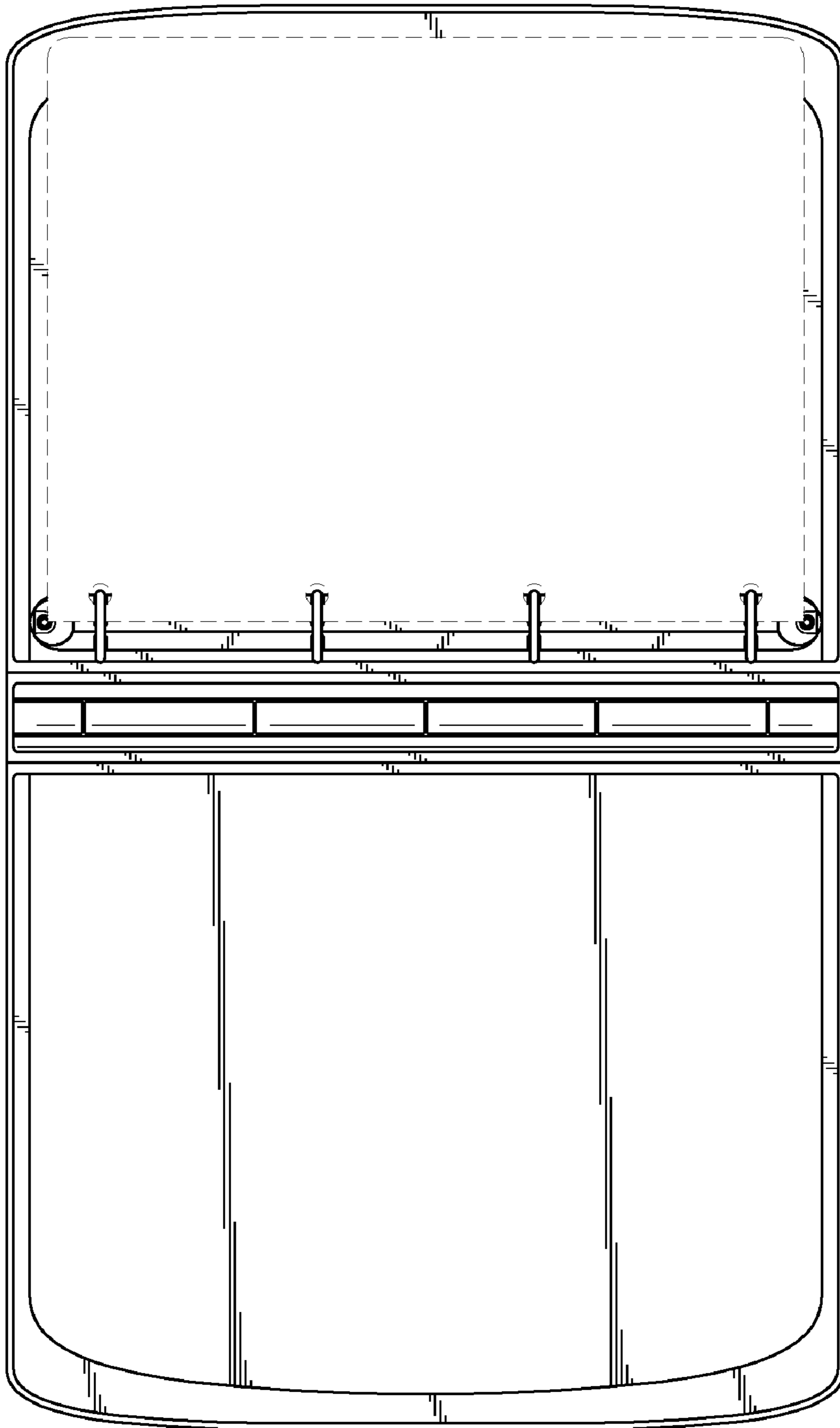


Fig. 7

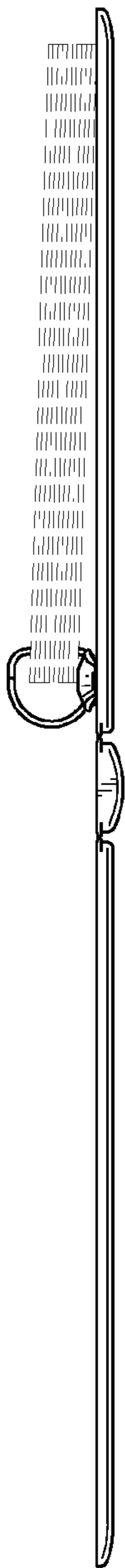


Fig. 8

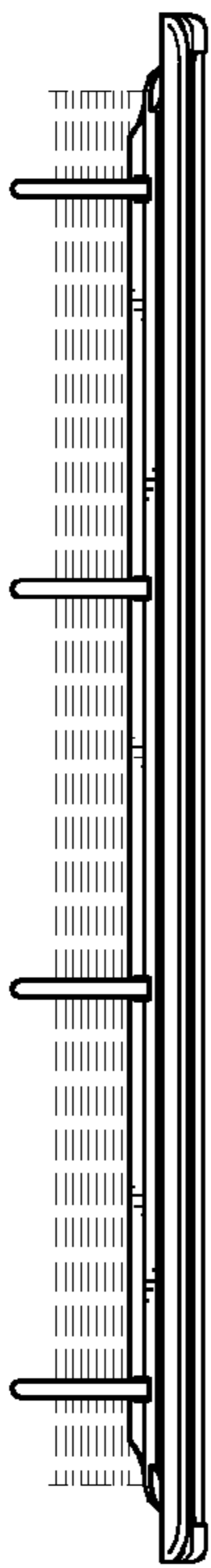


Fig. 9



Fig. 10

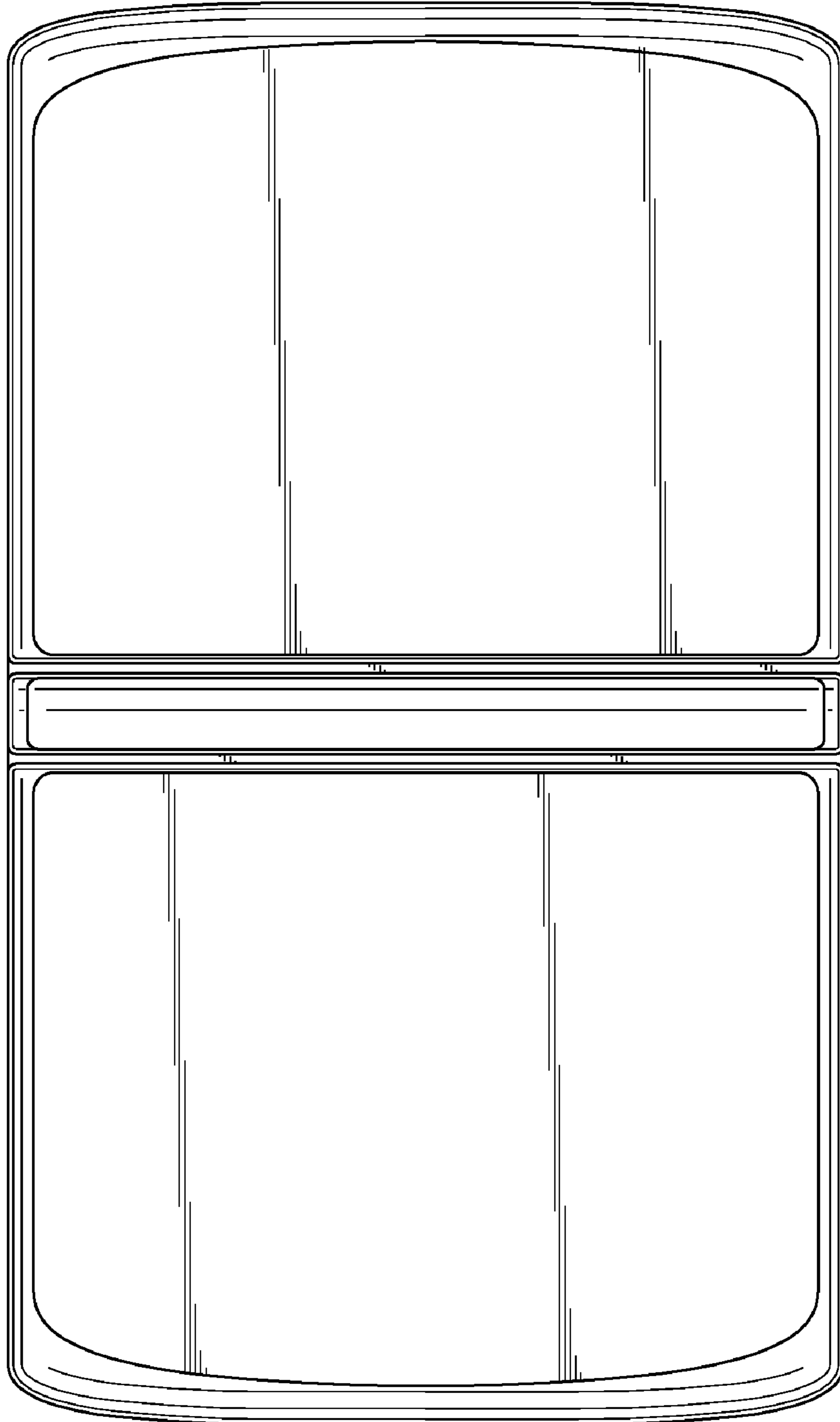


fig. 11