



US00D591339S

(12) **United States Design Patent**  
**Watanabe et al.**

(10) **Patent No.:** **US D591,339 S**  
(45) **Date of Patent:** **\*\* Apr. 28, 2009**

(54) **LASER PRINTER**

(75) Inventors: **Yohichi Watanabe**, Tokyo (JP); **Shigeru Horiguchi**, Kanagawa (JP)

(73) Assignee: **Ricoh Company, Ltd.**, Tokyo (JP)

(\*\*) Term: **14 Years**

(21) Appl. No.: **29/270,109**

(22) Filed: **Dec. 15, 2006**

(30) **Foreign Application Priority Data**

Jul. 3, 2006 (JP) ..... 2006-017374

(51) **LOC (9) Cl.** ..... **14-02**

(52) **U.S. Cl.** ..... **D18/55**

(58) **Field of Classification Search** ..... D18/36-39,  
D18/50, 54, 54.1, 55; D14/420-425, 462-470;  
400/613, 613.1-613.4, 690.1-690.4, 691-694  
See application file for complete search history.

(56) **References Cited**

**U.S. PATENT DOCUMENTS**

- D421,455 S \* 3/2000 Kobayashi et al. .... D18/54
- D436,987 S \* 1/2001 Suzuki et al. .... D18/55
- D439,276 S \* 3/2001 Kemmochi et al. .... D18/55
- D501,024 S \* 1/2005 Suzuki et al. .... D18/55
- D521,060 S \* 5/2006 Katayama ..... D18/55
- D521,546 S \* 5/2006 Katayama ..... D18/55

- D534,209 S \* 12/2006 Yamaguchi ..... D18/55
- D535,325 S \* 1/2007 Yamaguchi ..... D18/55
- D544,906 S \* 6/2007 Alfonso et al. .... D18/55

\* cited by examiner

*Primary Examiner*—Cathy Anne MacCormac  
(74) *Attorney, Agent, or Firm*—Dickstein Shapiro LLP

(57) **CLAIM**

The ornamental design for a laser printer, as shown and described.

**DESCRIPTION**

FIG. 1 is a front elevation of a laser printer according to the present invention;

FIG. 2 is a rear elevation thereof;

FIG. 3 is a top plan view thereof;

FIG. 4 is a bottom plan view thereof;

FIG. 5 is a right side elevation thereof;

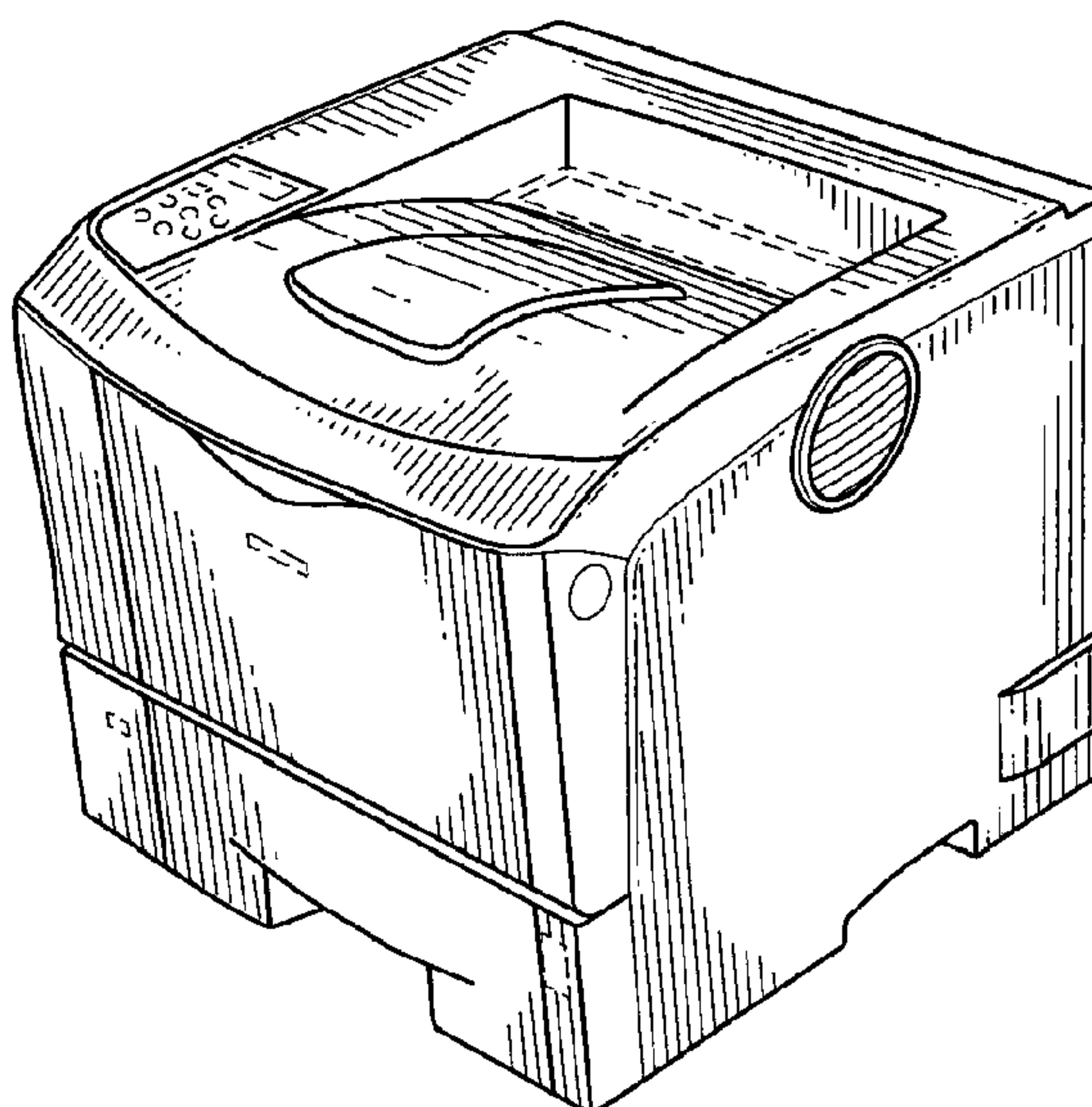
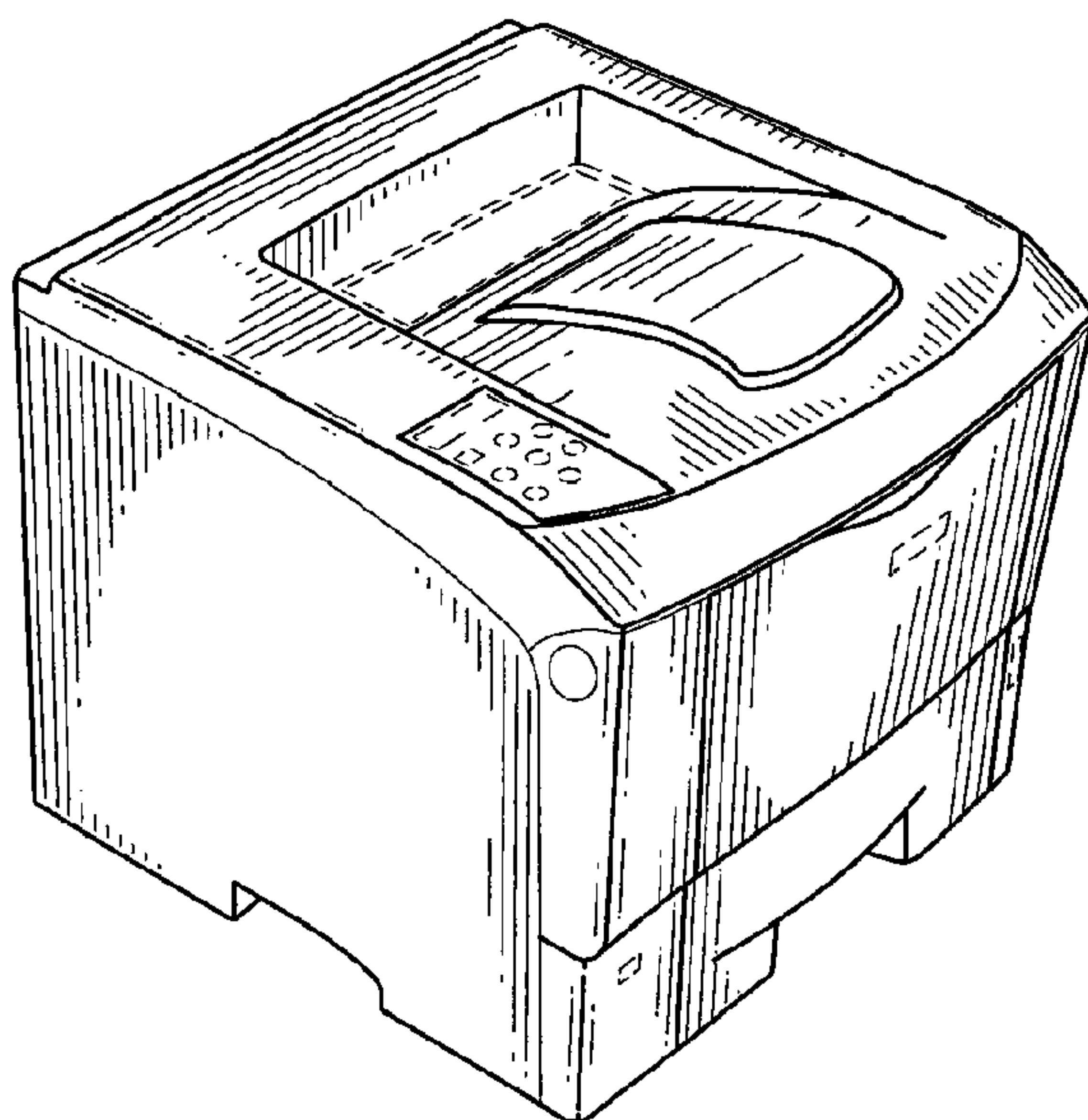
FIG. 6 is a left side elevation thereof;

FIG. 7 is a top, front and left side perspective view thereof; and,

FIG. 8 is a top, front and right side perspective view thereof.

The broken lines are for illustration only and form no part of the claimed design.

**1 Claim, 4 Drawing Sheets**



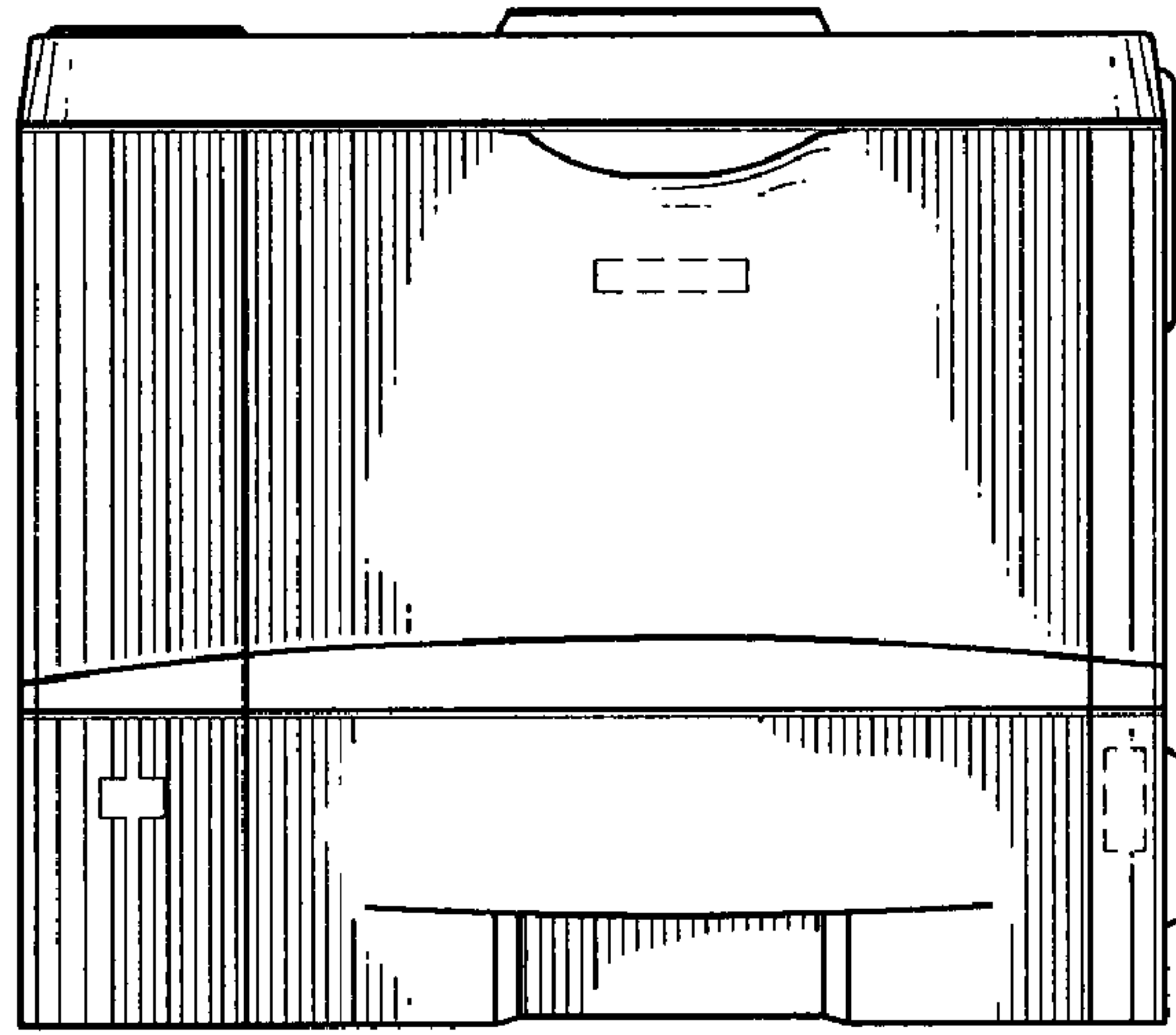


FIG. 1

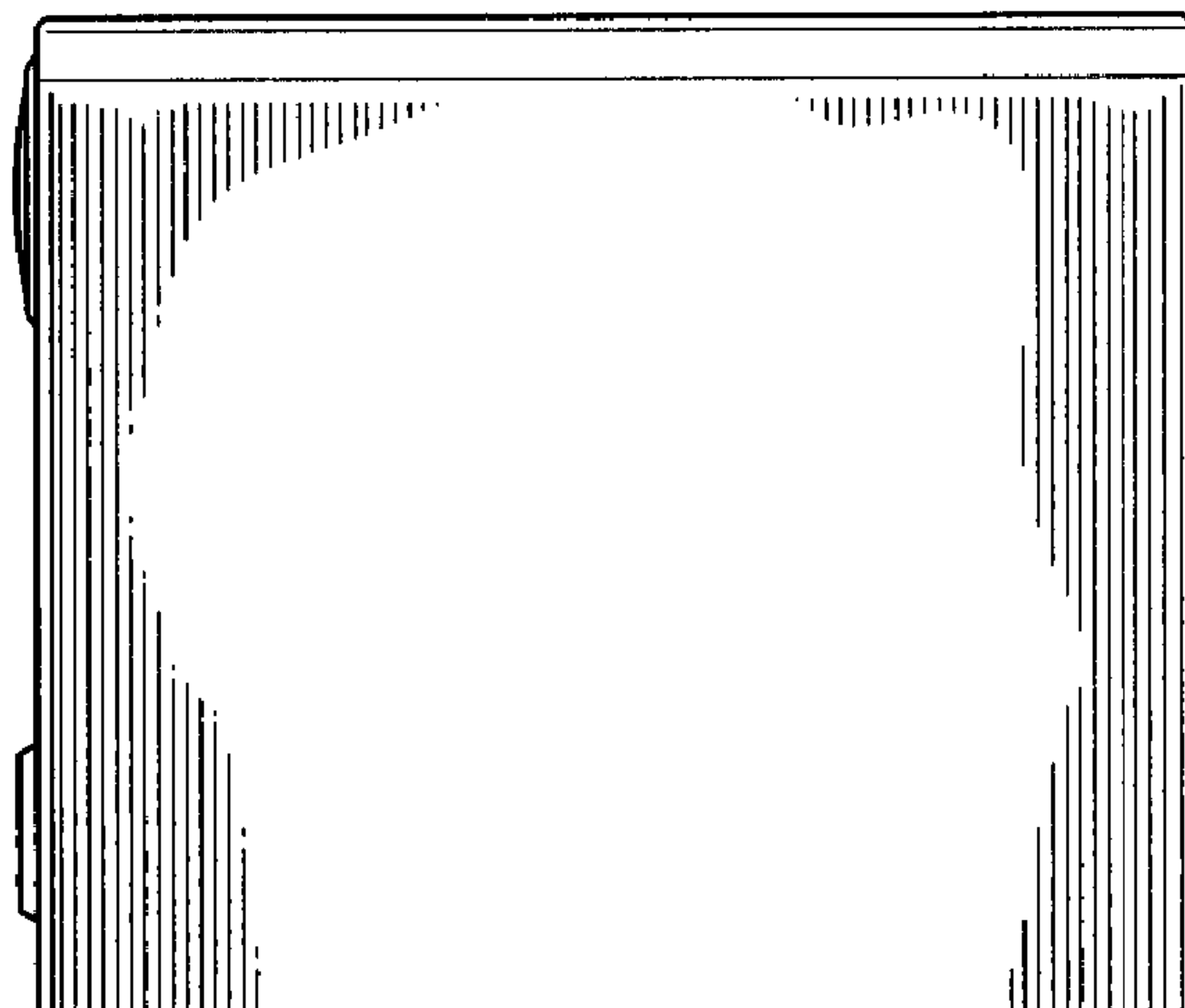


FIG. 2

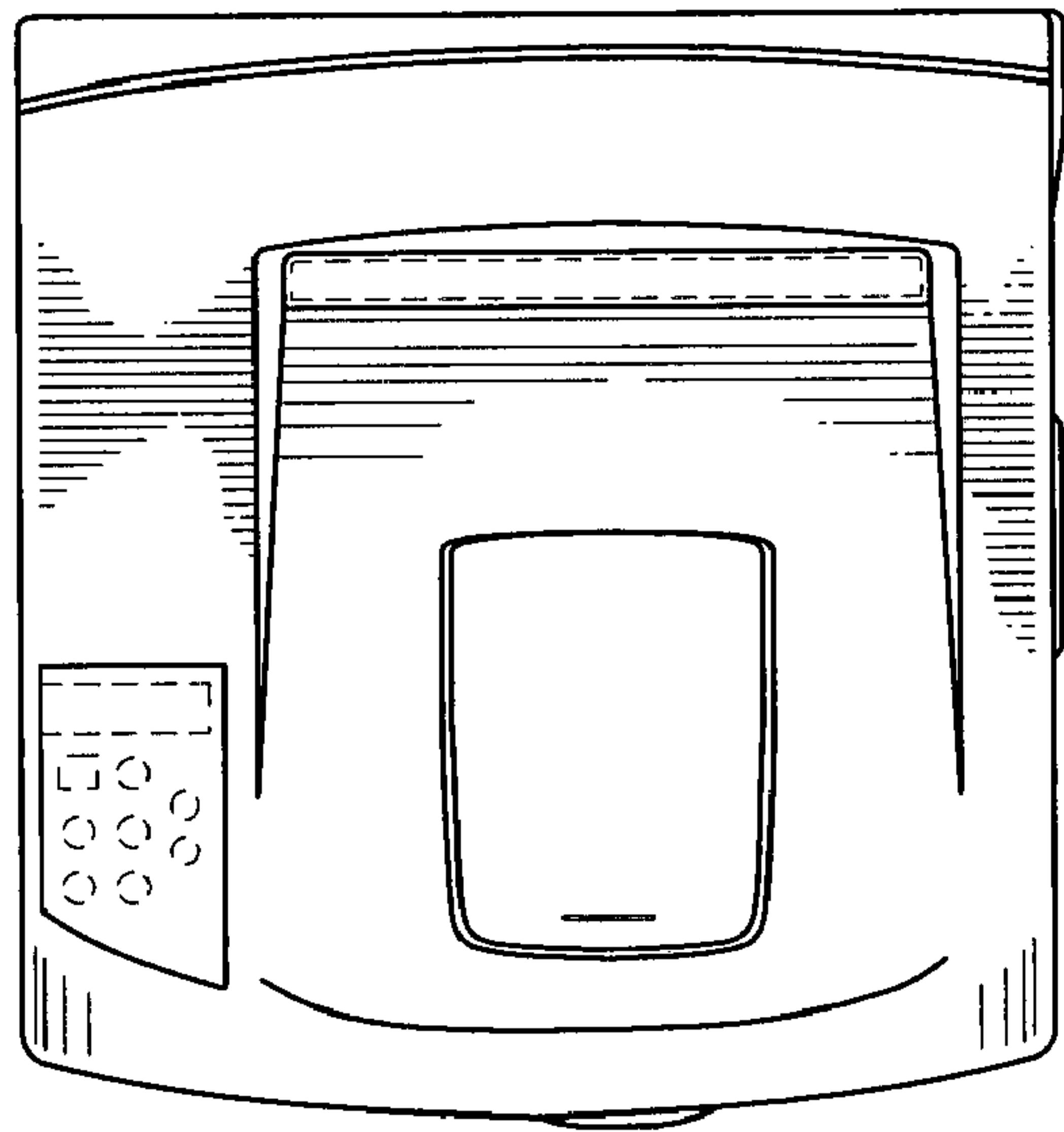


FIG. 3

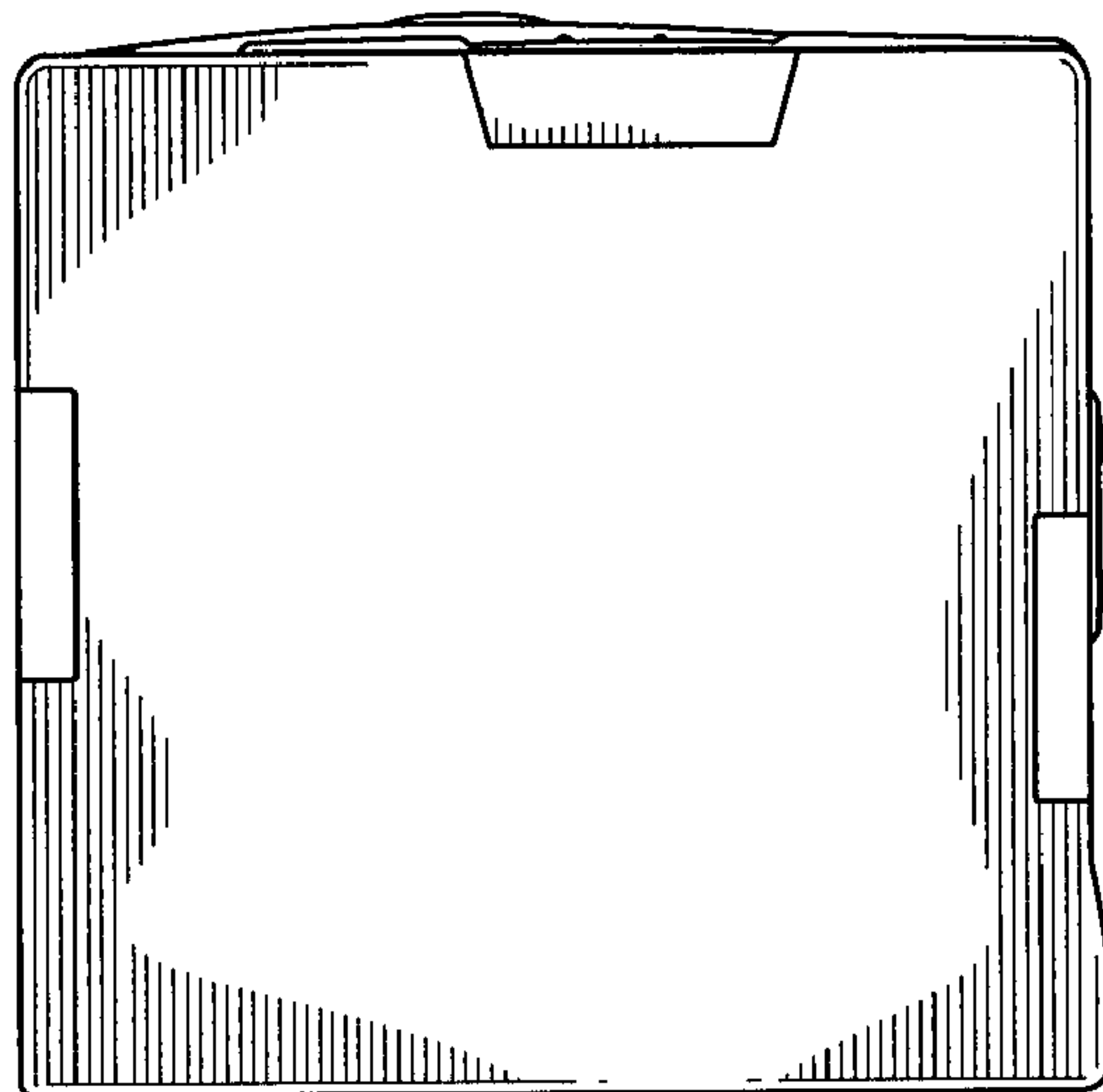


FIG. 4

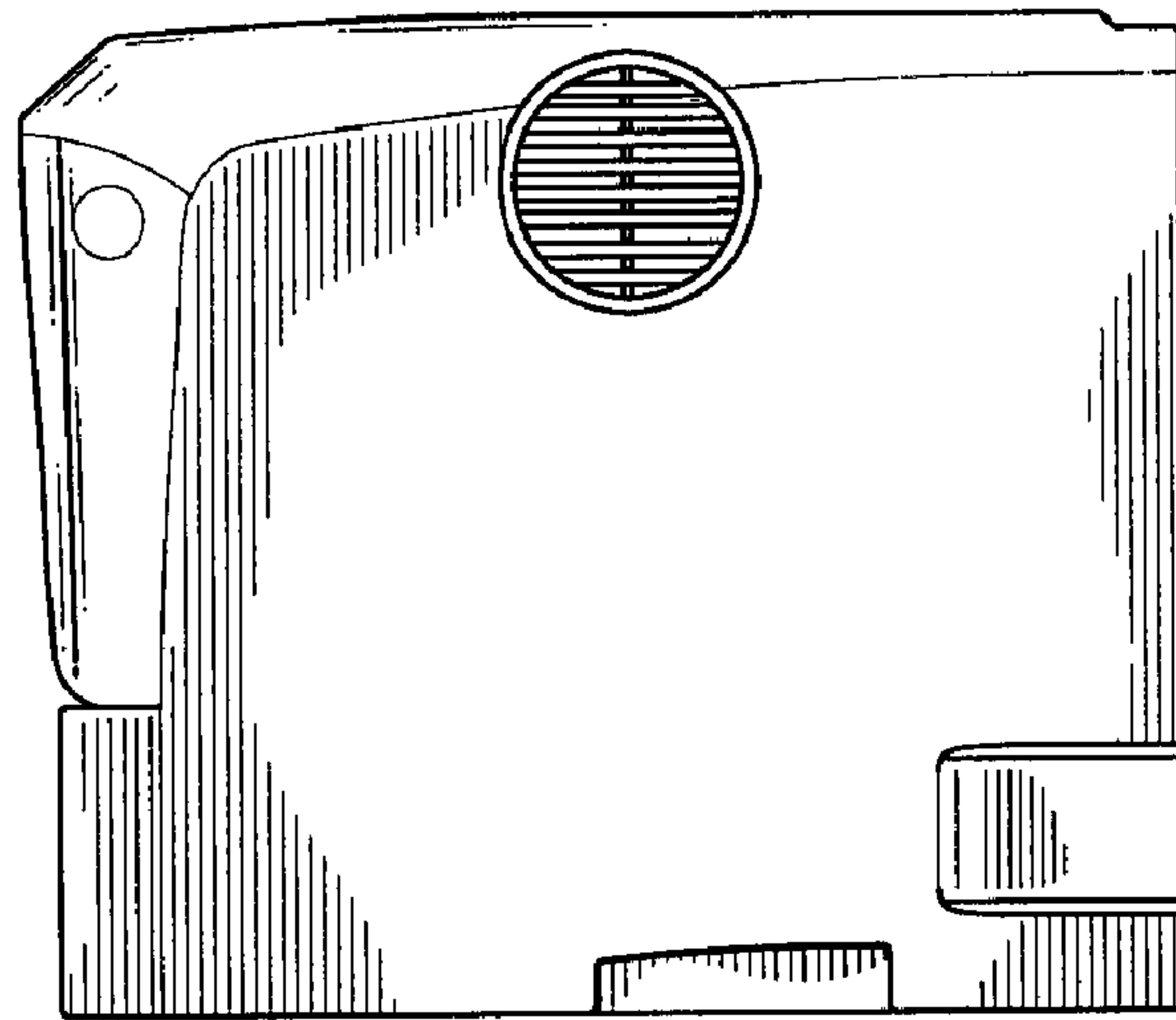


FIG. 5

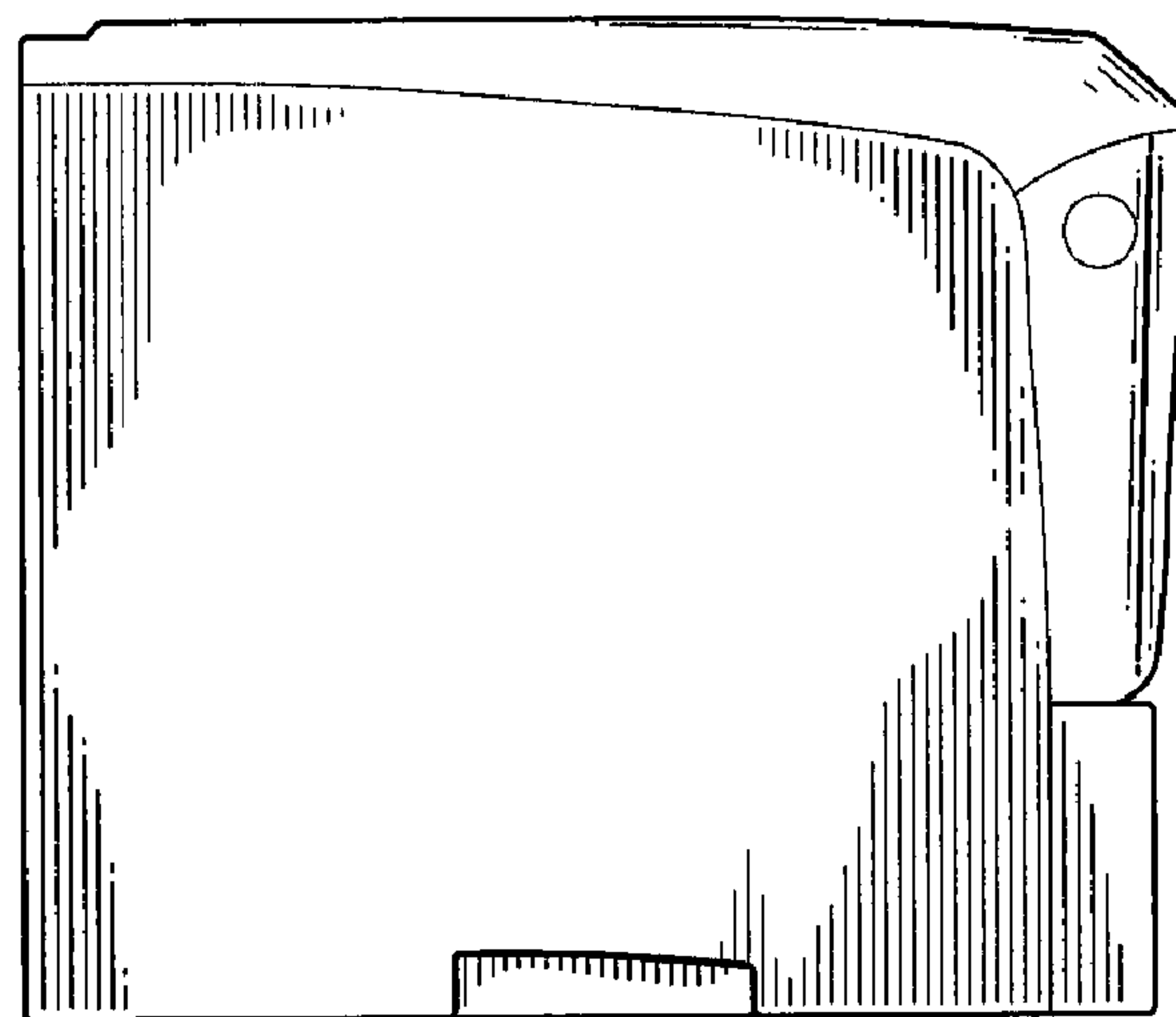


FIG. 6

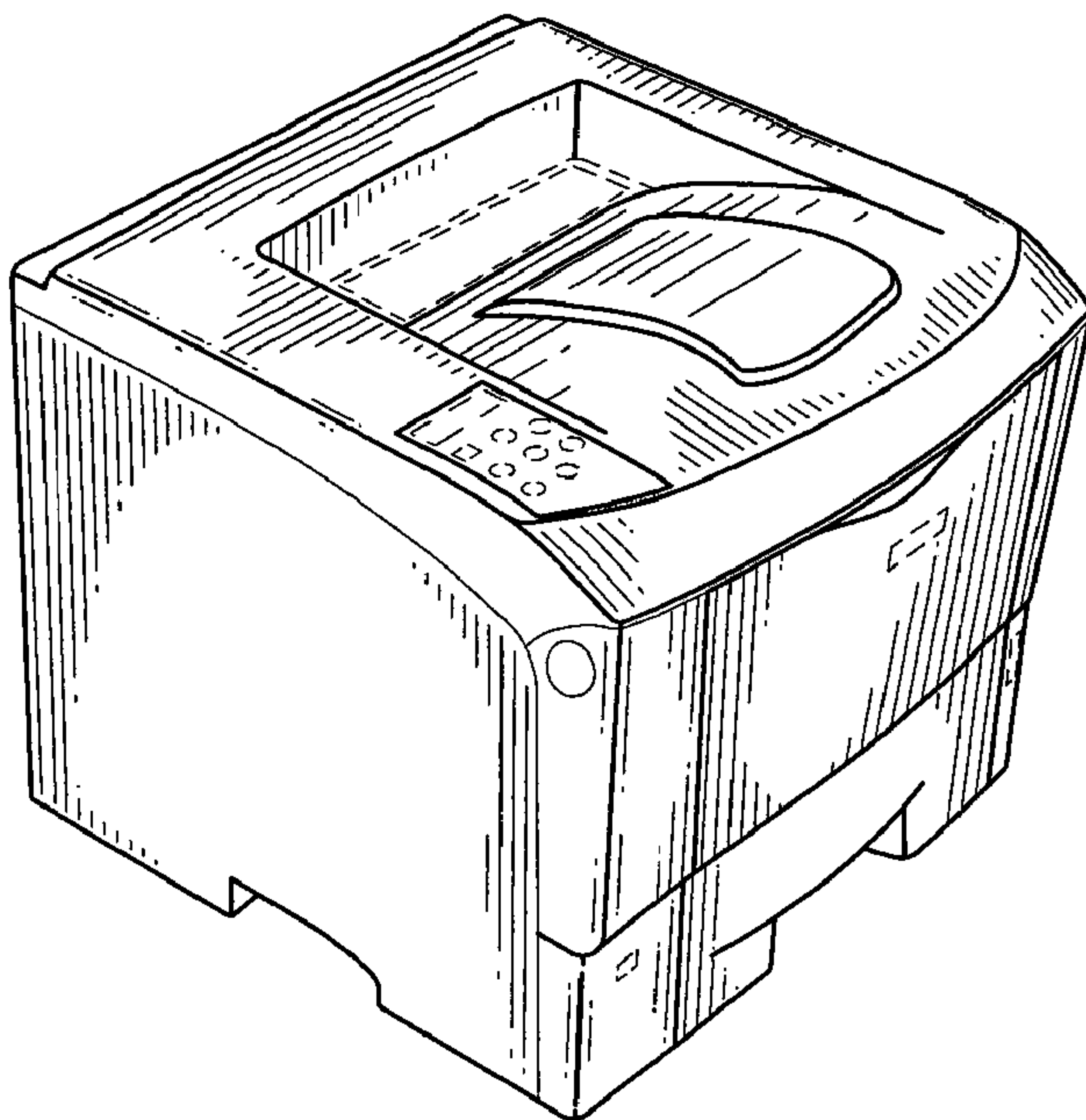


FIG. 7

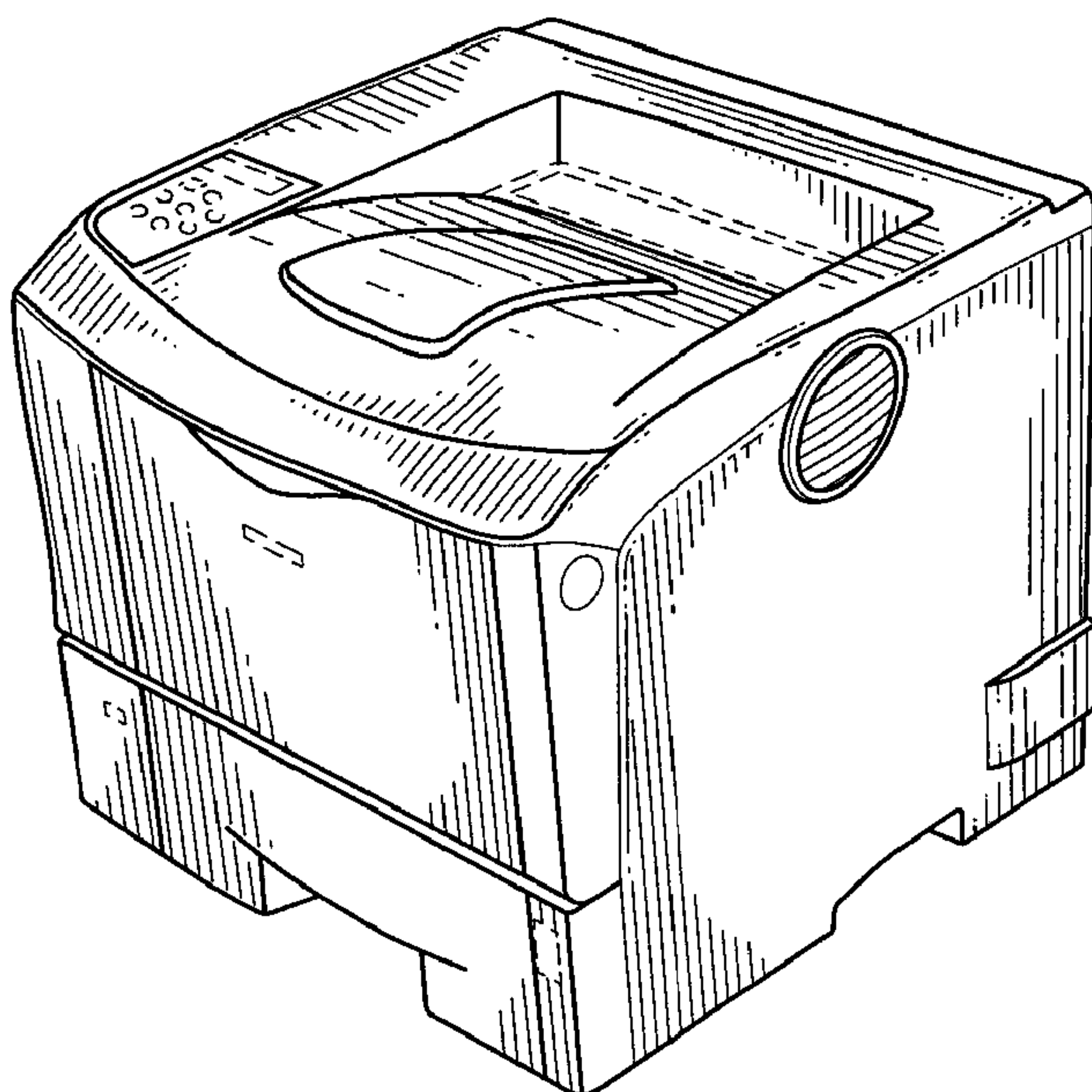


FIG. 8