



US00D591334S

(12) **United States Design Patent**
Hsu

(10) **Patent No.:** **US D591,334 S**

(45) **Date of Patent:** **** Apr. 28, 2009**

(54) **CLIP-ON GLASS DEVICE**

D443,864 S * 6/2001 Obata D14/126
D450,746 S * 11/2001 Johnson D16/340

(76) Inventor: **Wen Yi Hsu**, 5198 Paddock Pl., Alta
Loma, CA (US) 91737

* cited by examiner

(**) Term: **14 Years**

Primary Examiner—Robert M Spear

Assistant Examiner—Barbara B Lohr

(21) Appl. No.: **29/239,816**

(74) *Attorney, Agent, or Firm*—Eric Hanscom; Todd
Langford

(22) Filed: **Oct. 5, 2005**

(57) **CLAIM**

(51) **LOC (9) Cl.** **16-06**

The ornamental design for the clip-on glass device, as shown.

(52) **U.S. Cl.** **D16/330**

(58) **Field of Classification Search** D16/330,
D16/300, 310, 312, 314, 340; D29/109;
188/20; D2/872, 876, 879, 882, 893, 894;
2/10, 12, 13; 351/41, 44, 158

DESCRIPTION

FIG. 1 is a front, elevational perspective view of the clip-on
glass device, showing my new design;

FIG. 2 is a reduced scale front view thereof;

FIG. 3 is a reduced scale back view thereof;

FIG. 4 is a reduced scale left-side view thereof;

FIG. 5 is a reduced scale right-side view thereof;

FIG. 6 is a reduced scale top view thereof; and,

FIG. 7 is a reduced scale bottom view thereof.

See application file for complete search history.

The areas illustrated by broken lines are not part of the
claimed design and are shown for purposes of illustrating
environmental subject matter only.

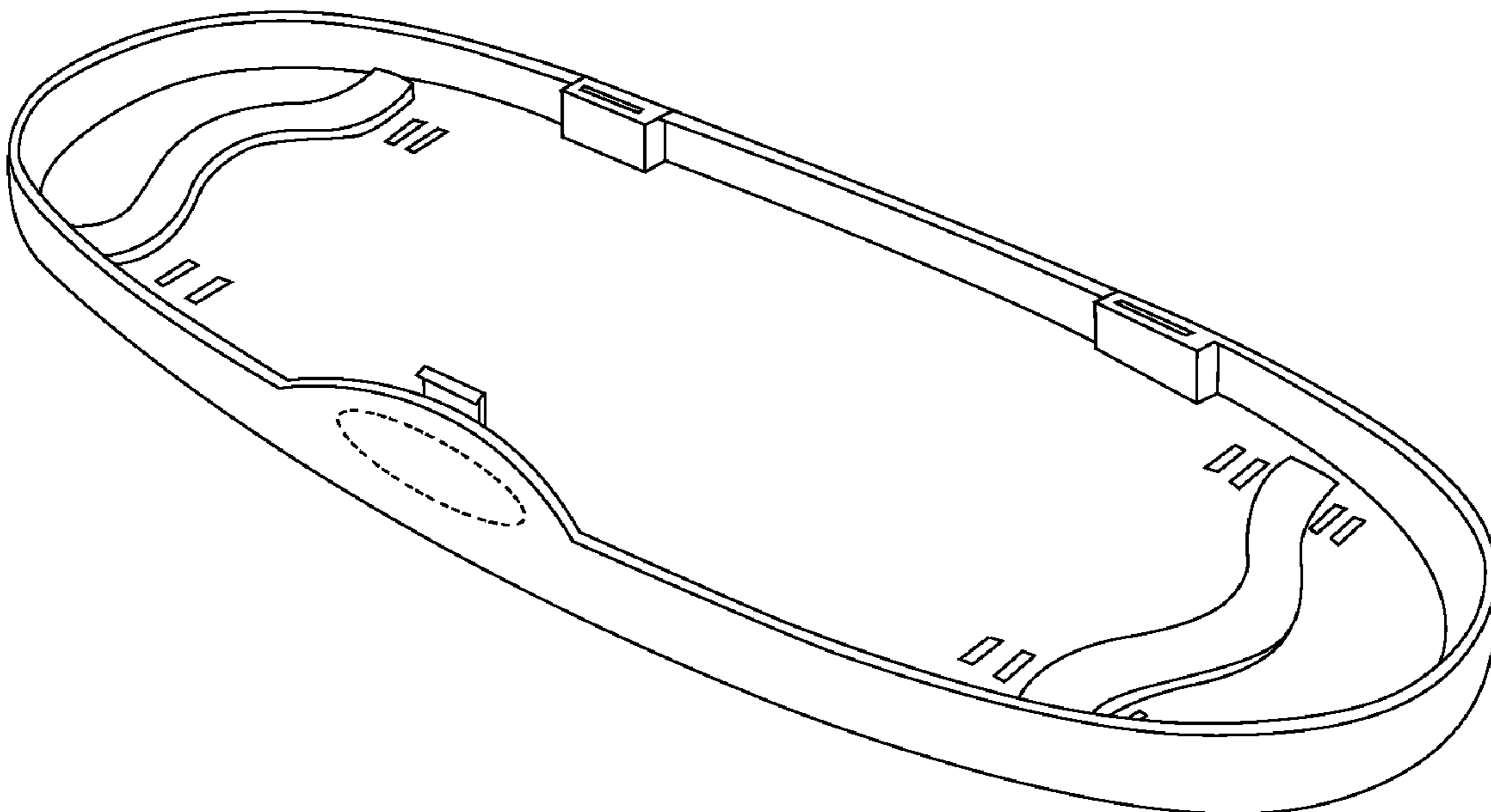
The unique design and appearance of this device are illus-
trated in the drawings.

(56) **References Cited**

U.S. PATENT DOCUMENTS

603,005	A *	4/1898	Philbrook	188/20
1,772,825	A *	8/1930	Costenbader	2/12
2,266,967	A *	12/1941	Fuller	2/10
2,276,372	A *	3/1942	Courtney	2/12
D184,806	S *	4/1959	Evans	D16/340
D185,225	S *	5/1959	Moeller	D16/310
D344,530	S *	2/1994	Johnson	D16/340
D364,033	S *	11/1995	Romano	D2/894
D431,585	S *	10/2000	Vance et al.	D16/312
D439,268	S *	3/2001	Ireland	D16/314
D439,597	S *	3/2001	Marcum	D16/312

1 Claim, 7 Drawing Sheets



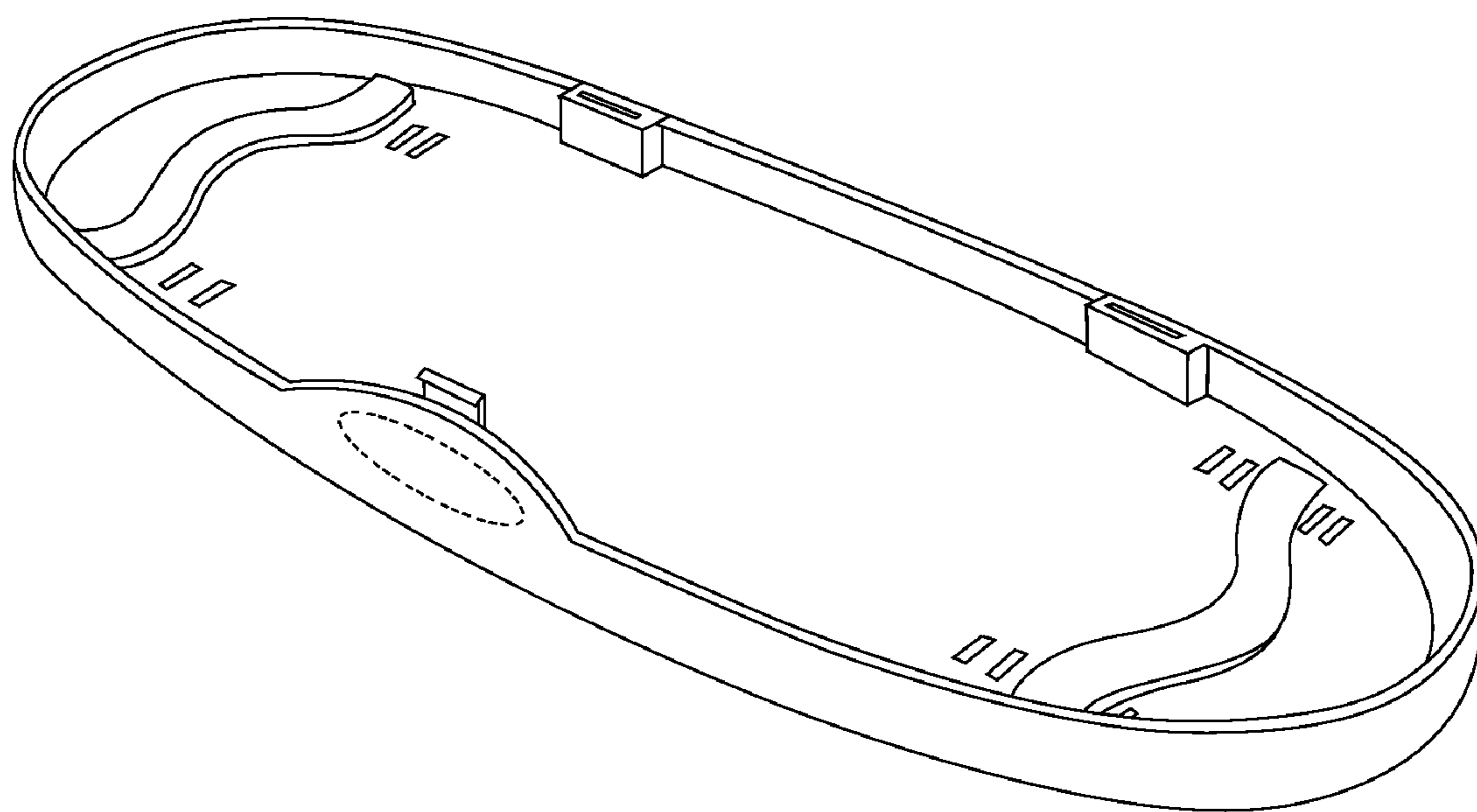


Fig. 1

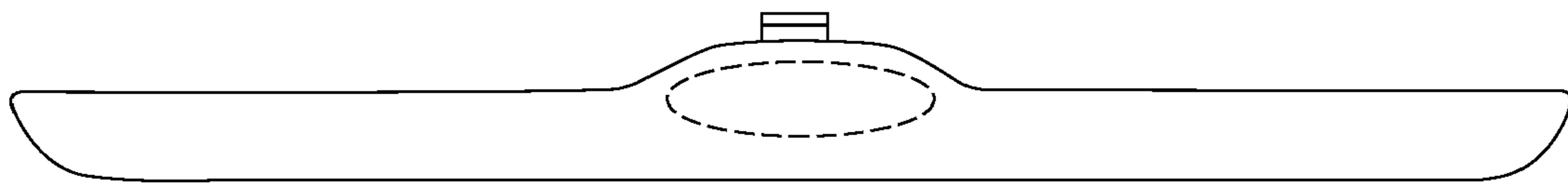


FIG. 2

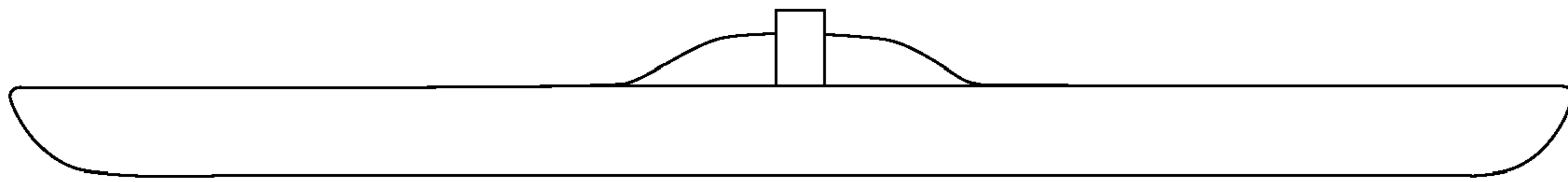


FIG. 3

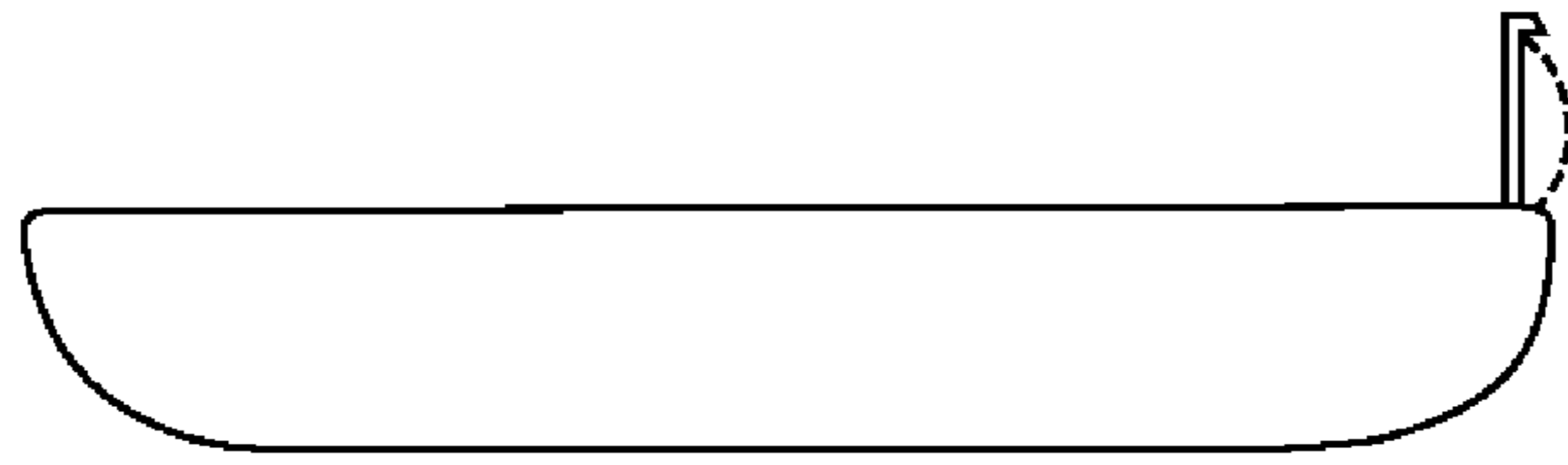


FIG. 4

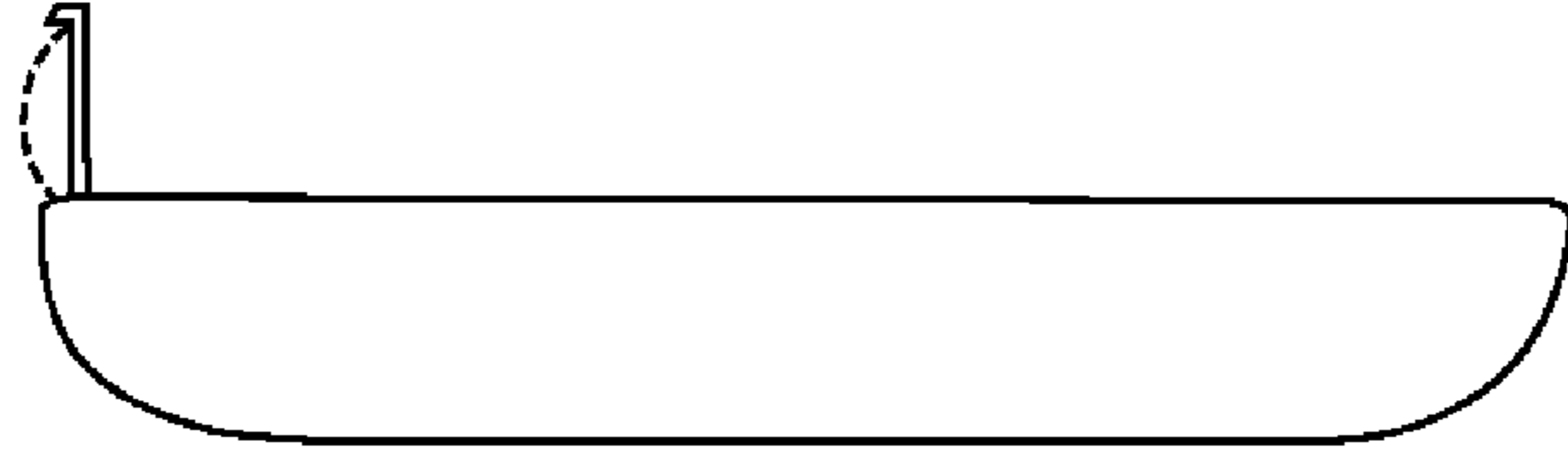


FIG. 5

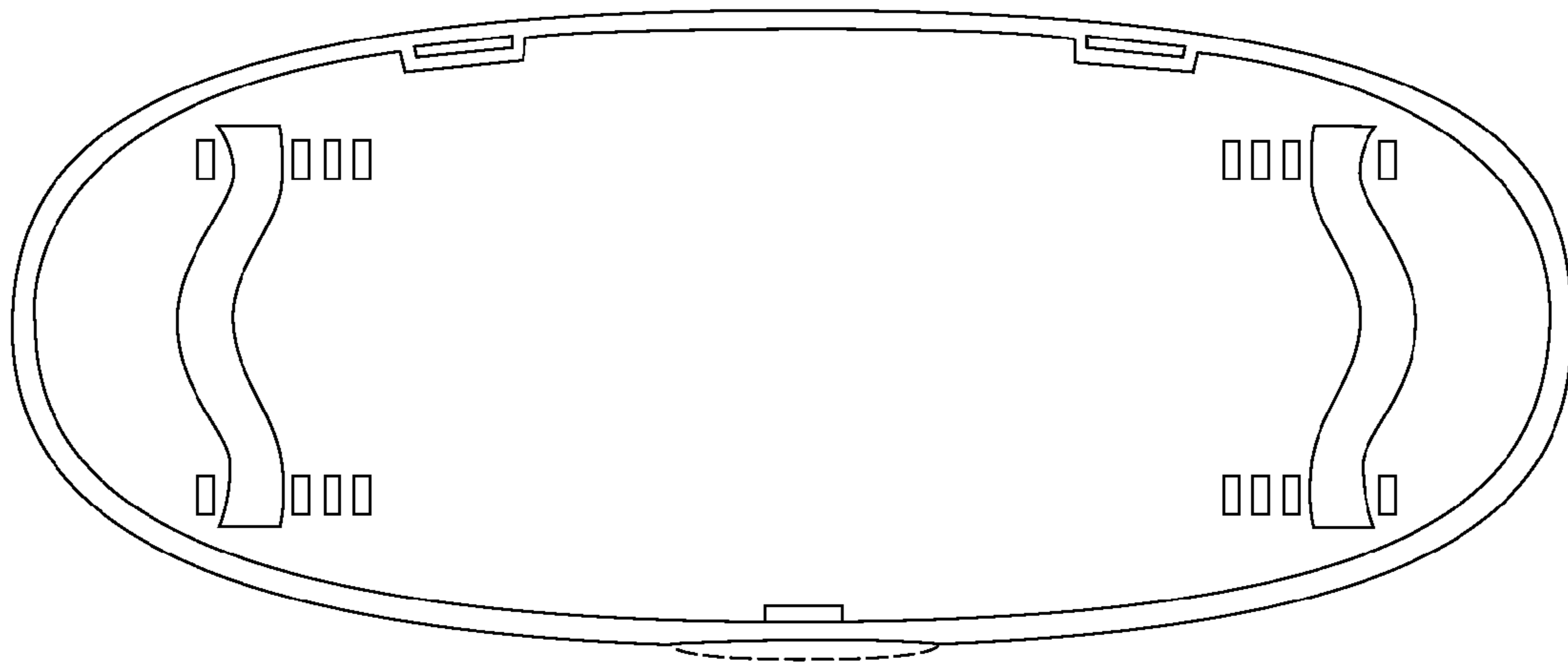


FIG.6

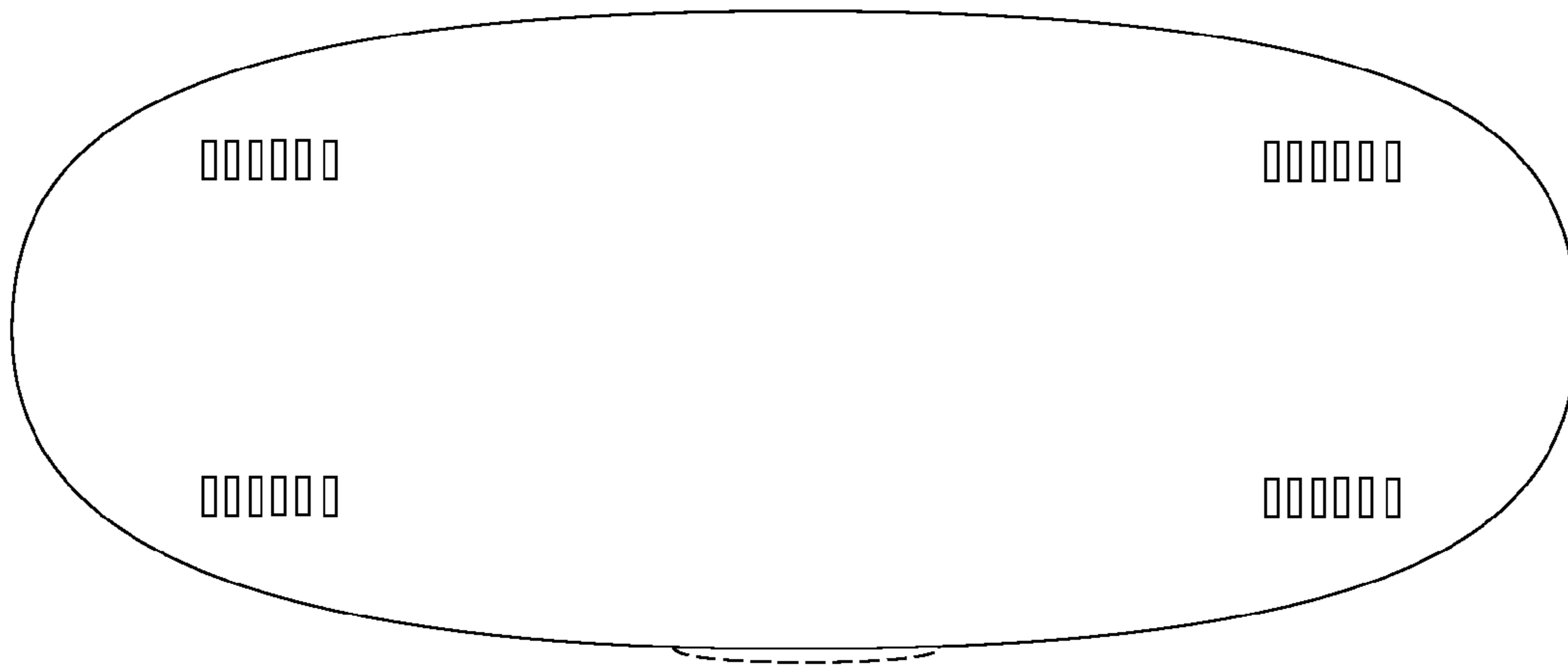


FIG.7