



US00D591325S

(12) **United States Design Patent**
Dordick

(10) **Patent No.:** **US D591,325 S**

(45) **Date of Patent:** **** Apr. 28, 2009**

(54) **CAMERA MOUNT**

(75) **Inventor:** **Scott David Dordick**, Glendora, CA
(US)

(73) **Assignee:** **Scott Dordick**, Glendora, CA (US)

(**) **Term:** **14 Years**

(21) **Appl. No.:** **29/307,747**

(22) **Filed:** **May 9, 2008**

(51) **LOC (9) Cl.** **16-05**

(52) **U.S. Cl.** **D16/242**

(58) **Field of Classification Search** D16/237,
D16/242, 244, 245; 248/176.1, 177.1, 185.1,
248/187.1; 352/343; 396/419, 421, 428
See application file for complete search history.

(56) **References Cited**

U.S. PATENT DOCUMENTS

D353,825 S * 12/1994 Forbes D16/242
D399,230 S * 10/1998 Tenne D16/245

6,196,504 B1 * 3/2001 Lemke 248/187.1
D483,789 S * 12/2003 Dordick D16/245
6,773,172 B1 * 8/2004 Johnson et al. 396/428
7,185,862 B1 * 3/2007 Yang 248/187.1

* cited by examiner

Primary Examiner—Adir Aronovich

(57) **CLAIM**

The ornamental design for a camera mount, as shown.

DESCRIPTION

FIG. 1 is a right and front perspective view of a camera mount showing my new design;

FIG. 2 is a top plan view thereof;

FIG. 3 is a bottom plan view thereof;

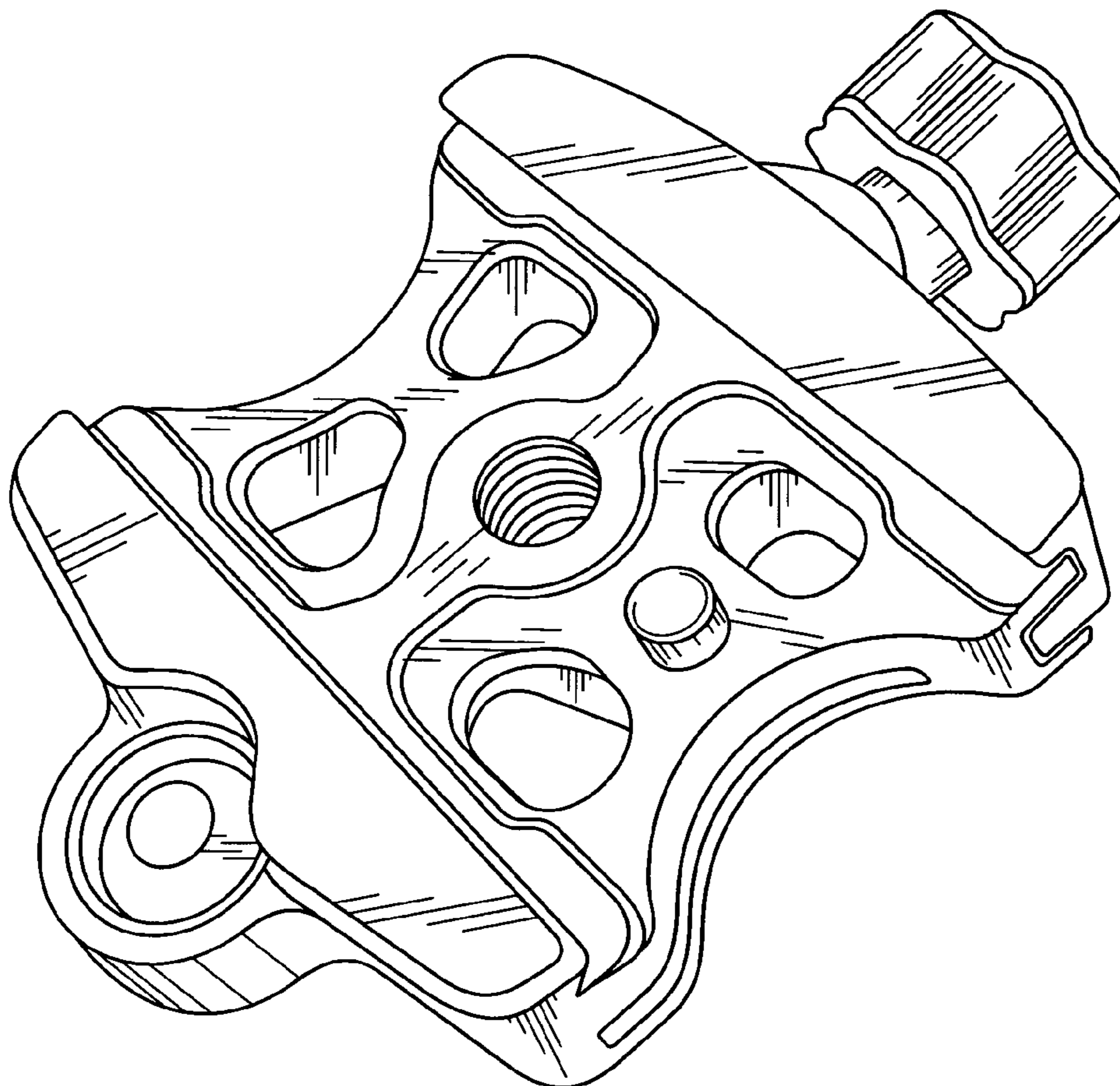
FIG. 4 is a left elevation view thereof;

FIG. 5 is a right elevation view thereof;

FIG. 6 is a rear elevation view thereof; and,

FIG. 7. is a front elevation view thereof;

1 Claim, 5 Drawing Sheets



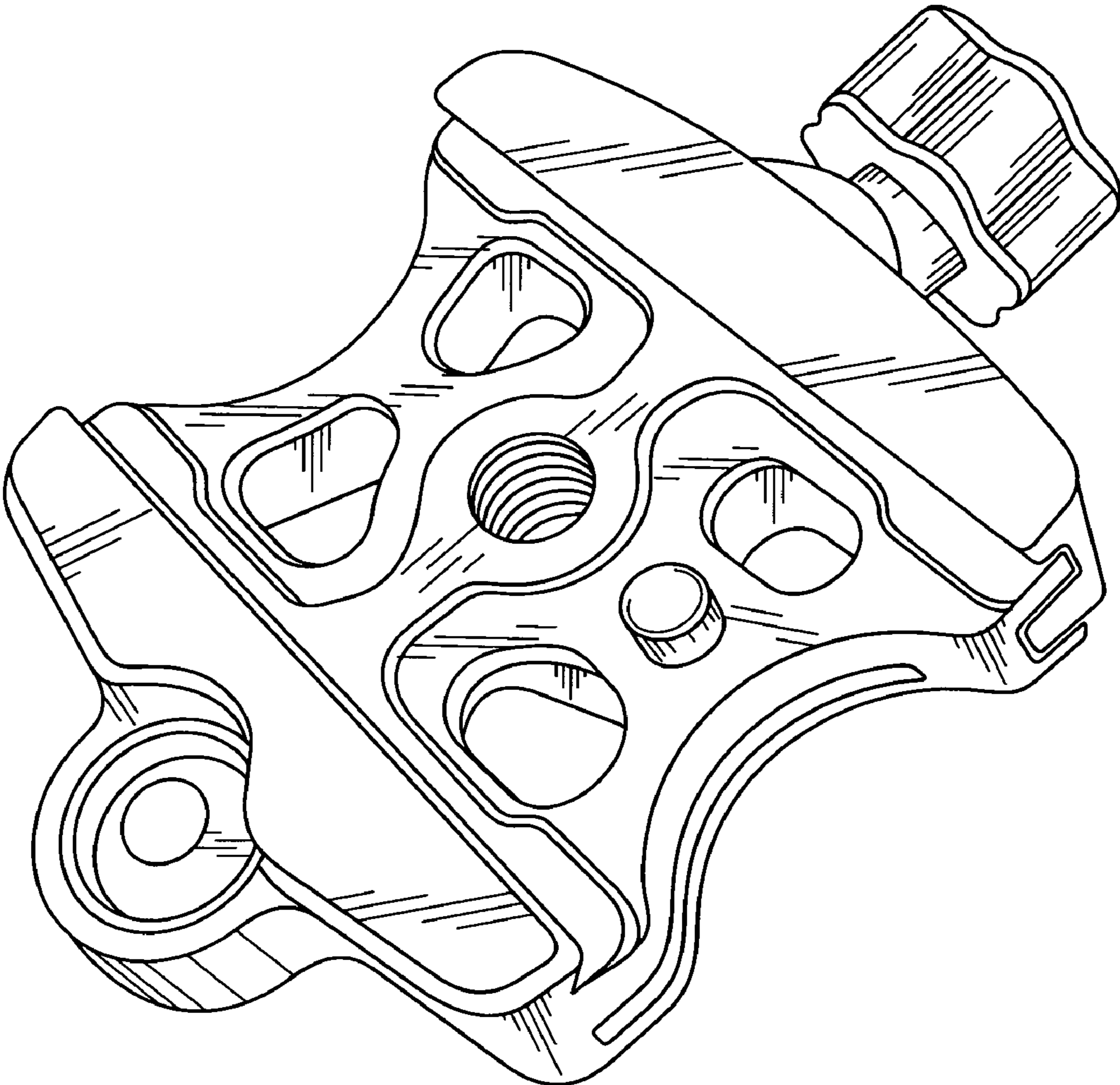


FIG. 1

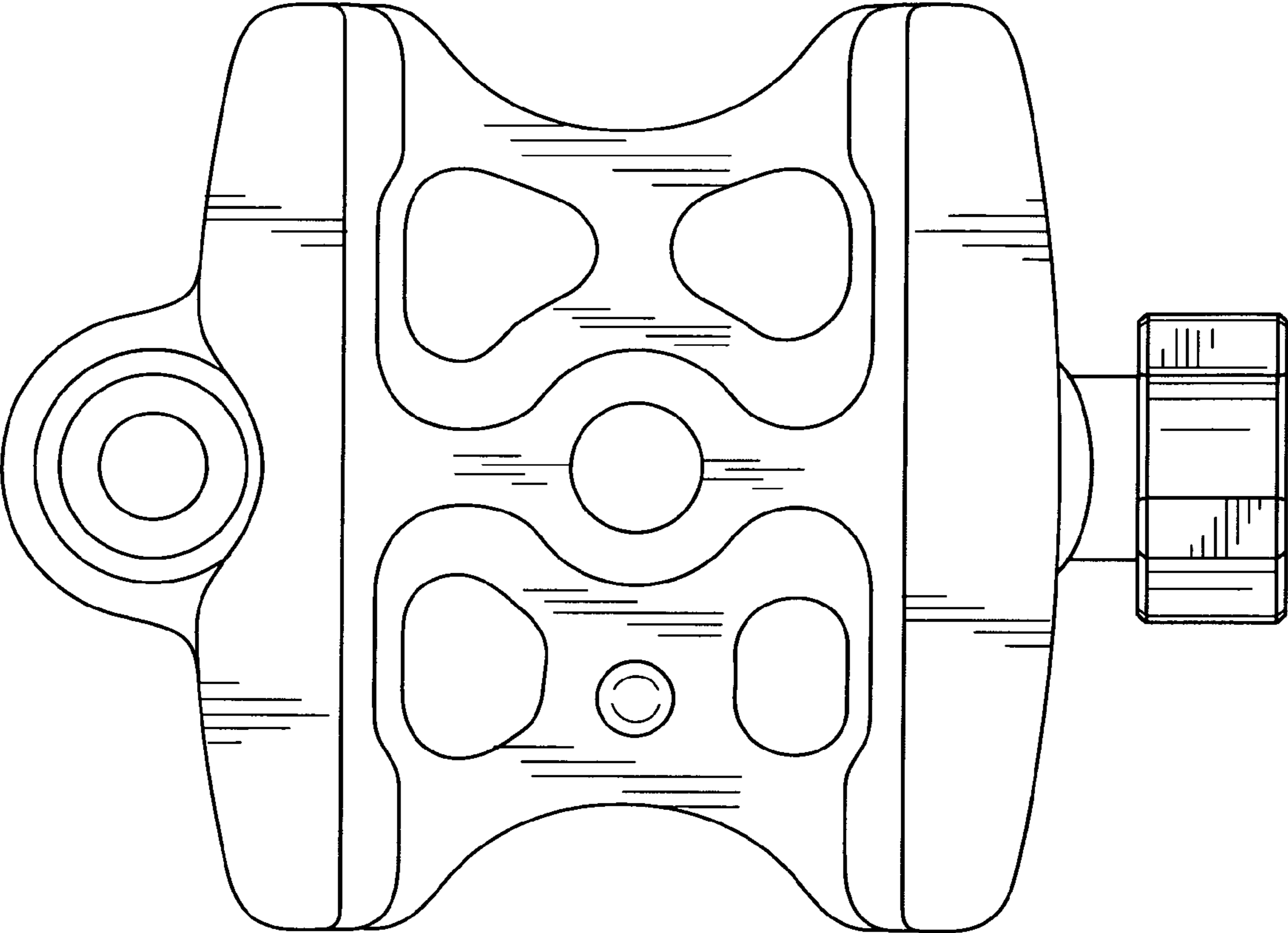


FIG. 2

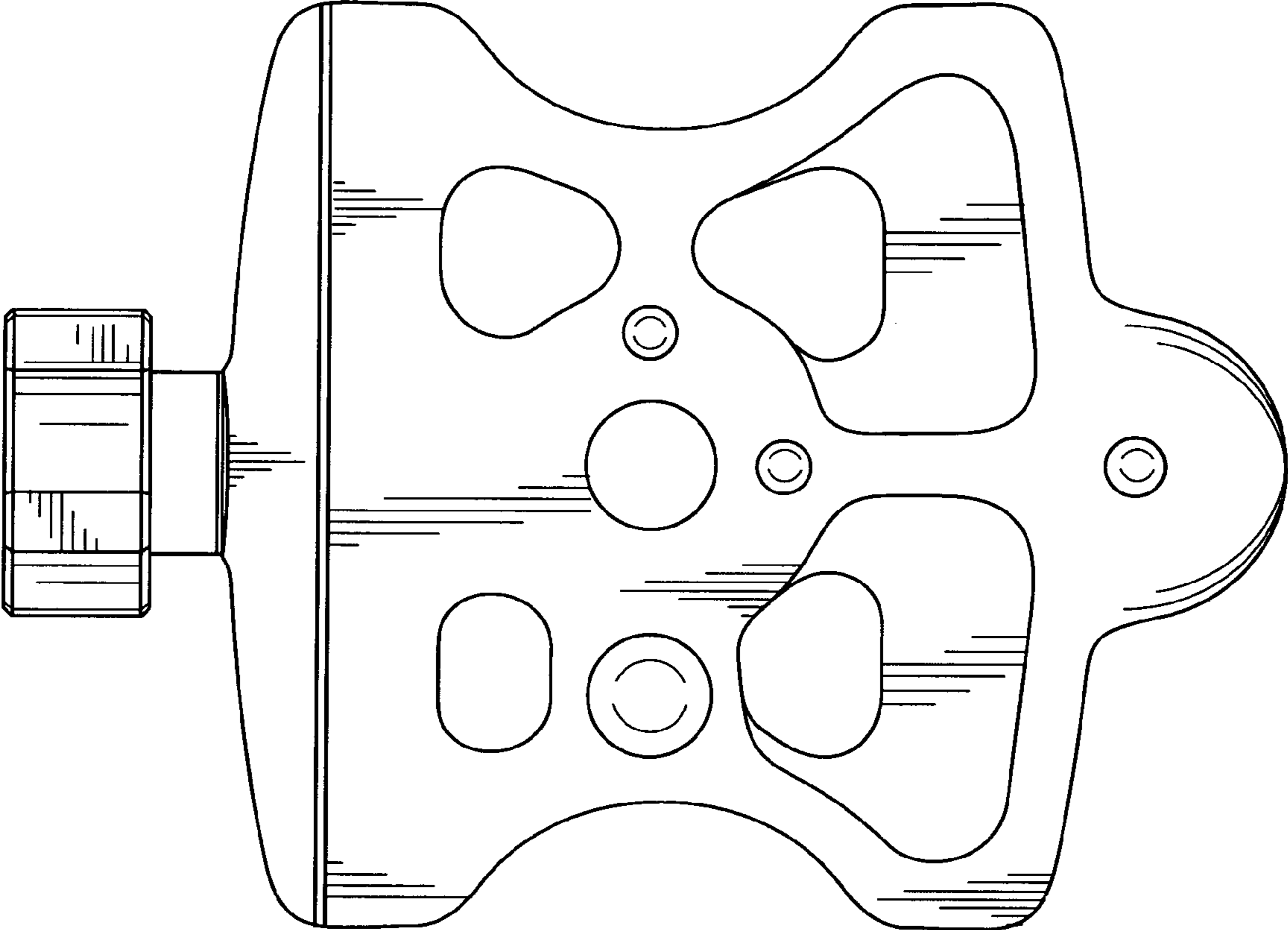


FIG. 3

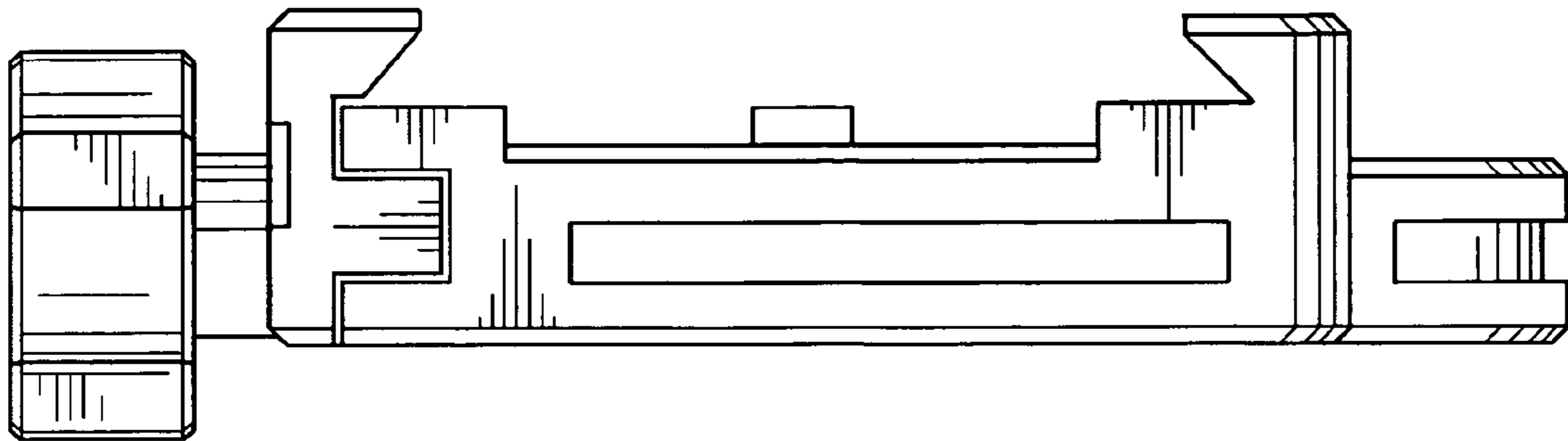


FIG. 4

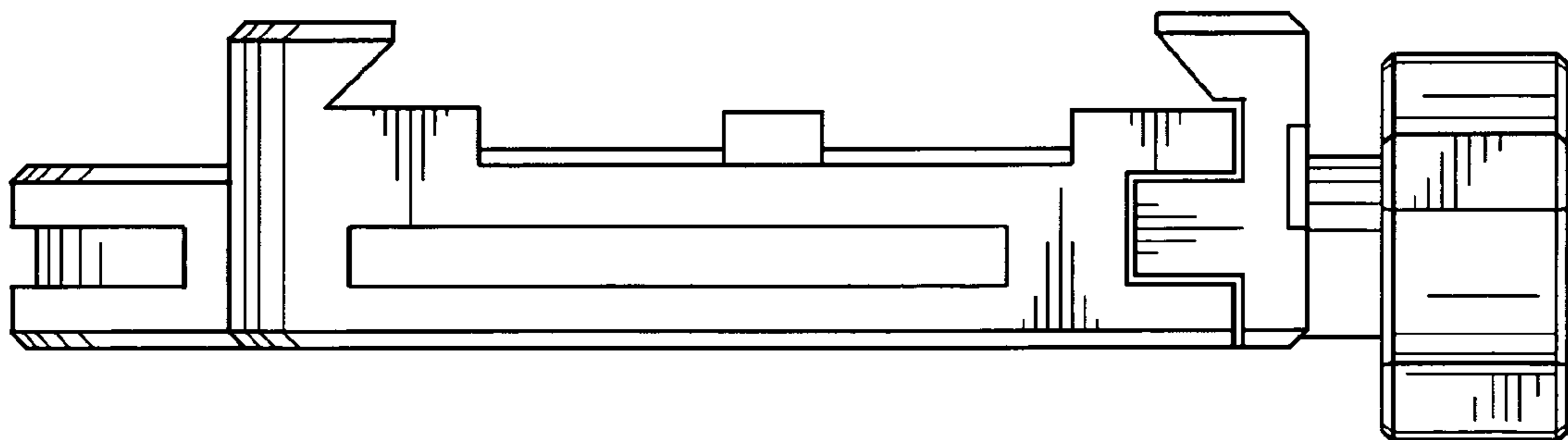


FIG. 5

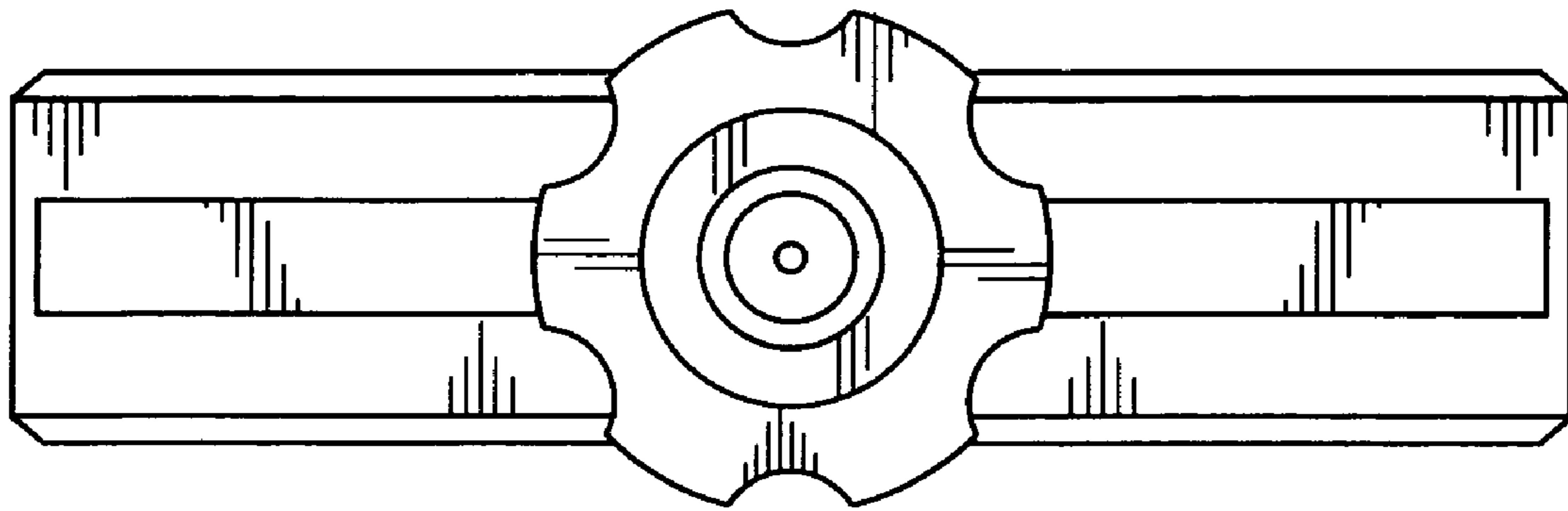


FIG. 6

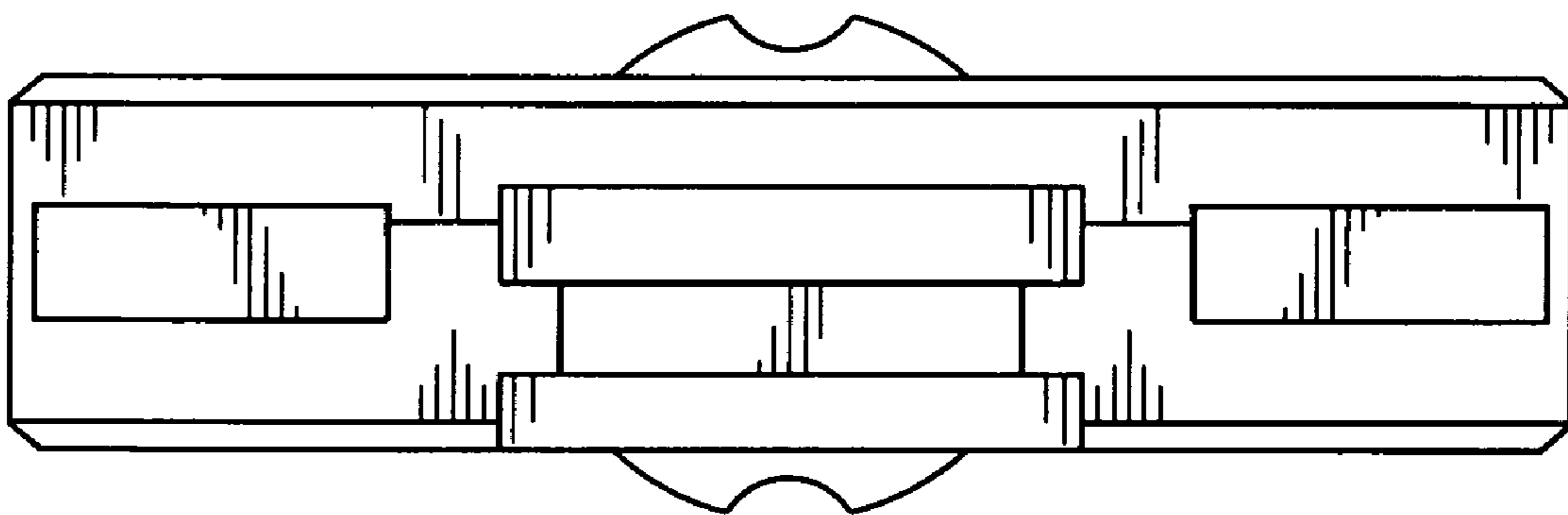


FIG. 7