

US00D591324S

(12) **United States Design Patent**
Sukhov

(10) **Patent No.:** **US D591,324 S**

(45) **Date of Patent:** **** Apr. 28, 2009**

(54) **CAMERA FLASH BRACKET**

(75) Inventor: **Alexander Sukhov**, 12 Fuller St., Apt. 3,
Brookline, MA (US) 02446

(73) Assignee: **Alexander Sukhov**, Brookline, MA
(US)

(**) Term: **14 Years**

(21) Appl. No.: **29/288,668**

(22) Filed: **Jun. 19, 2007**

(51) **LOC (9) Cl.** **16-05**

(52) **U.S. Cl.** **D16/242**

(58) **Field of Classification Search** D8/354,
D8/355; D16/237, 239, 240, 242; 248/187.1;
396/182, 419, 428

See application file for complete search history.

(56) **References Cited**

U.S. PATENT DOCUMENTS

D268,270	S	*	3/1983	Ostlund et al.	D16/240
D302,697	S	*	8/1989	Parrish	D16/242
D307,286	S	*	4/1990	Ginder	D8/355
5,095,325	A	*	3/1992	Carstens	396/428
D328,088	S	*	7/1992	Horino	D16/239
D382,287	S	*	8/1997	Palmer	D16/242
6,042,277	A	*	3/2000	Errington	396/419

* cited by examiner

Primary Examiner—Adir Aronovich

(74) *Attorney, Agent, or Firm*—Iandiorio Teska & Coleman

(57) **CLAIM**

The ornamental design for a camera flash bracket, as shown and described.

DESCRIPTION

FIG. 1 is a rear perspective view of a camera flash bracket showing my new design with the slider being in a landscape position;

FIG. 2 is a rear perspective view of a camera flash bracket with the slider being in a portrait position and a lock screw omitted for ease of illustration;

FIG. 3 is a front perspective view of a flash bracket for a camera according to this invention wherein a flash unit and camera are shown to illustrate environment only and form no part of the claimed design;

FIG. 4 is a rear elevational view of the flash bracket shown in FIG. 1;

FIG. 5 is a left side elevational view thereof;

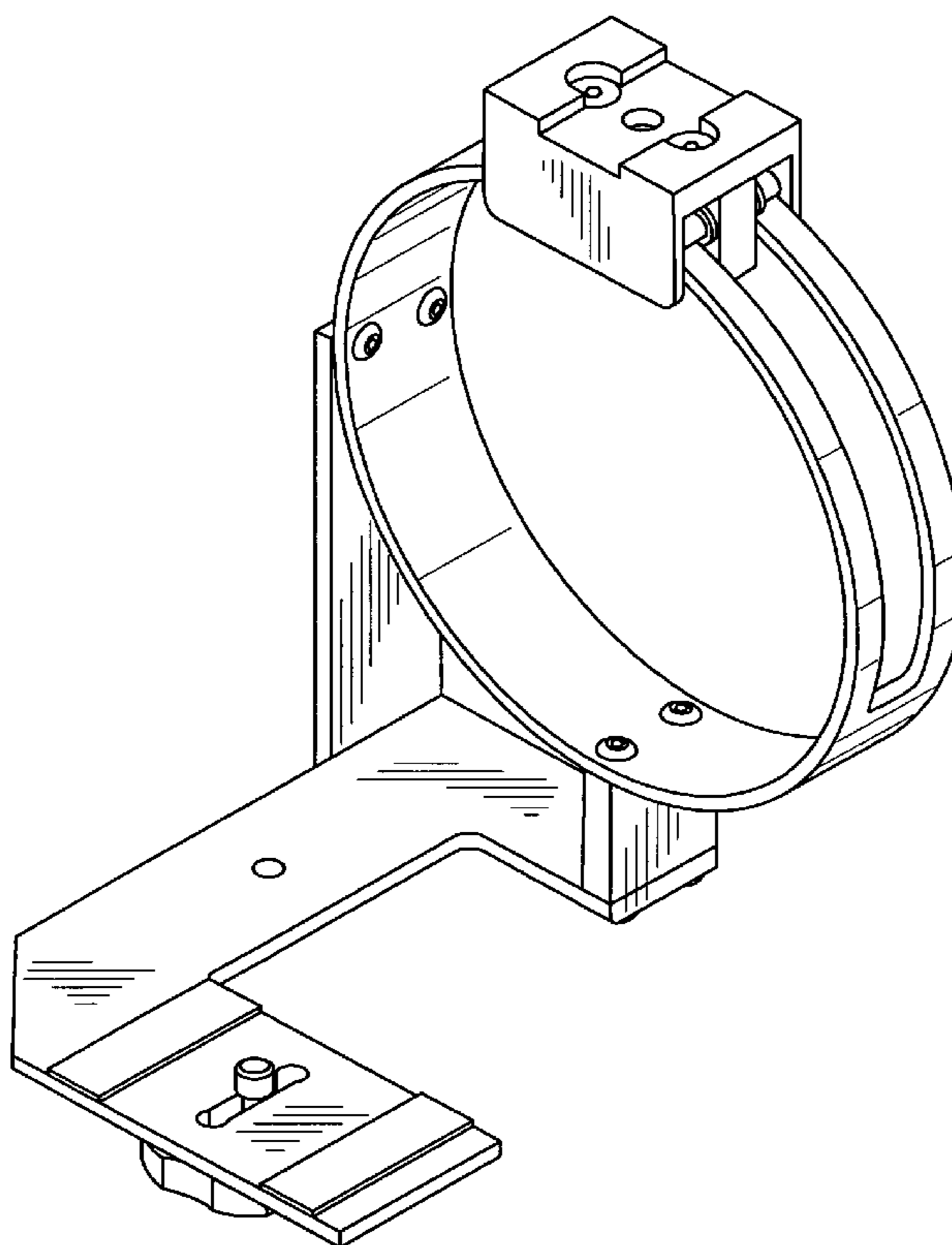
FIG. 6 is a right side elevational view thereof;

FIG. 7 is a top plan view thereof;

FIG. 8 is a bottom plan view thereof; and,

FIG. 9 is a front elevational view of the flash bracket shown in FIG. 1.

1 Claim, 6 Drawing Sheets



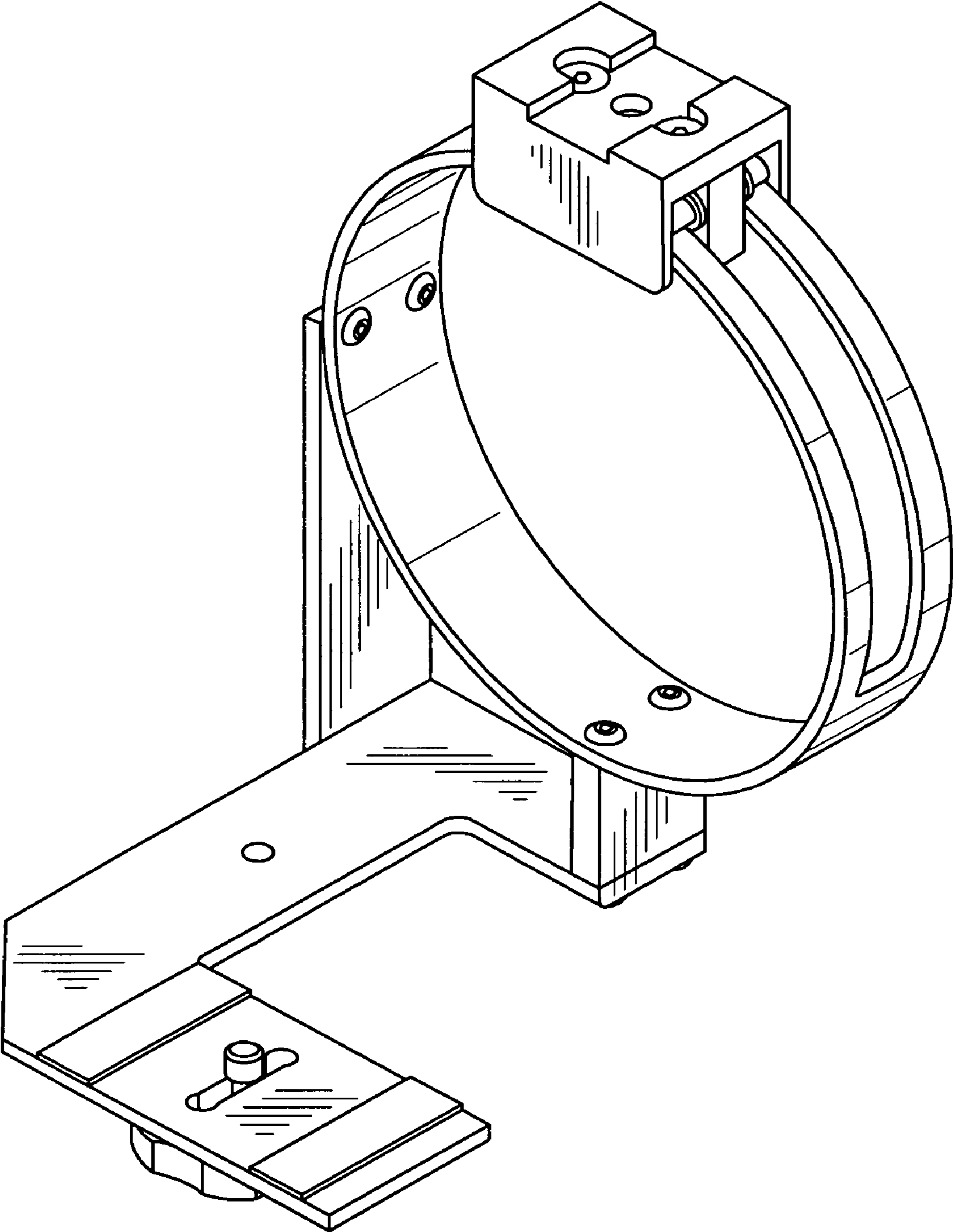


FIG. 1

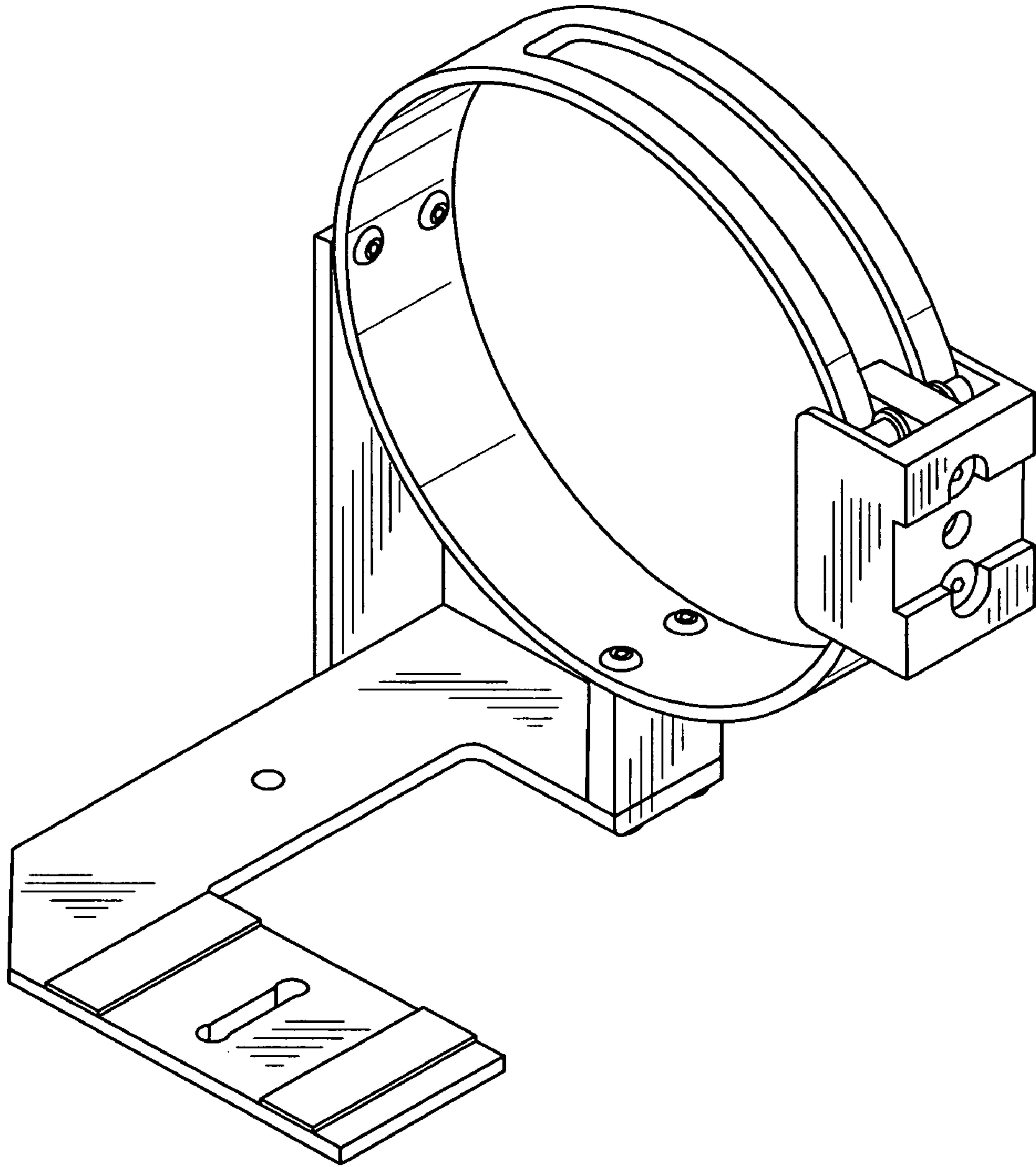


FIG. 2

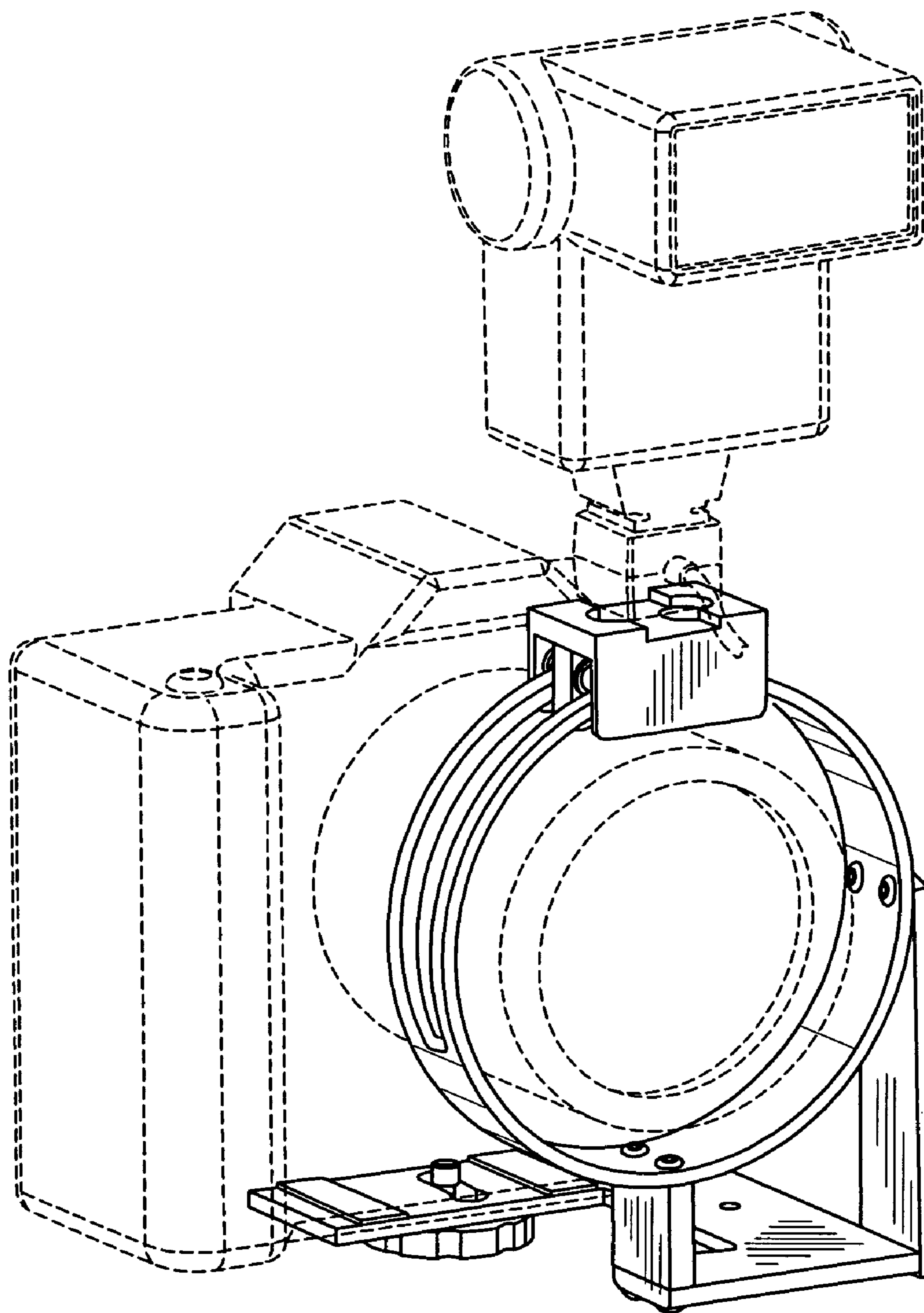


FIG. 3

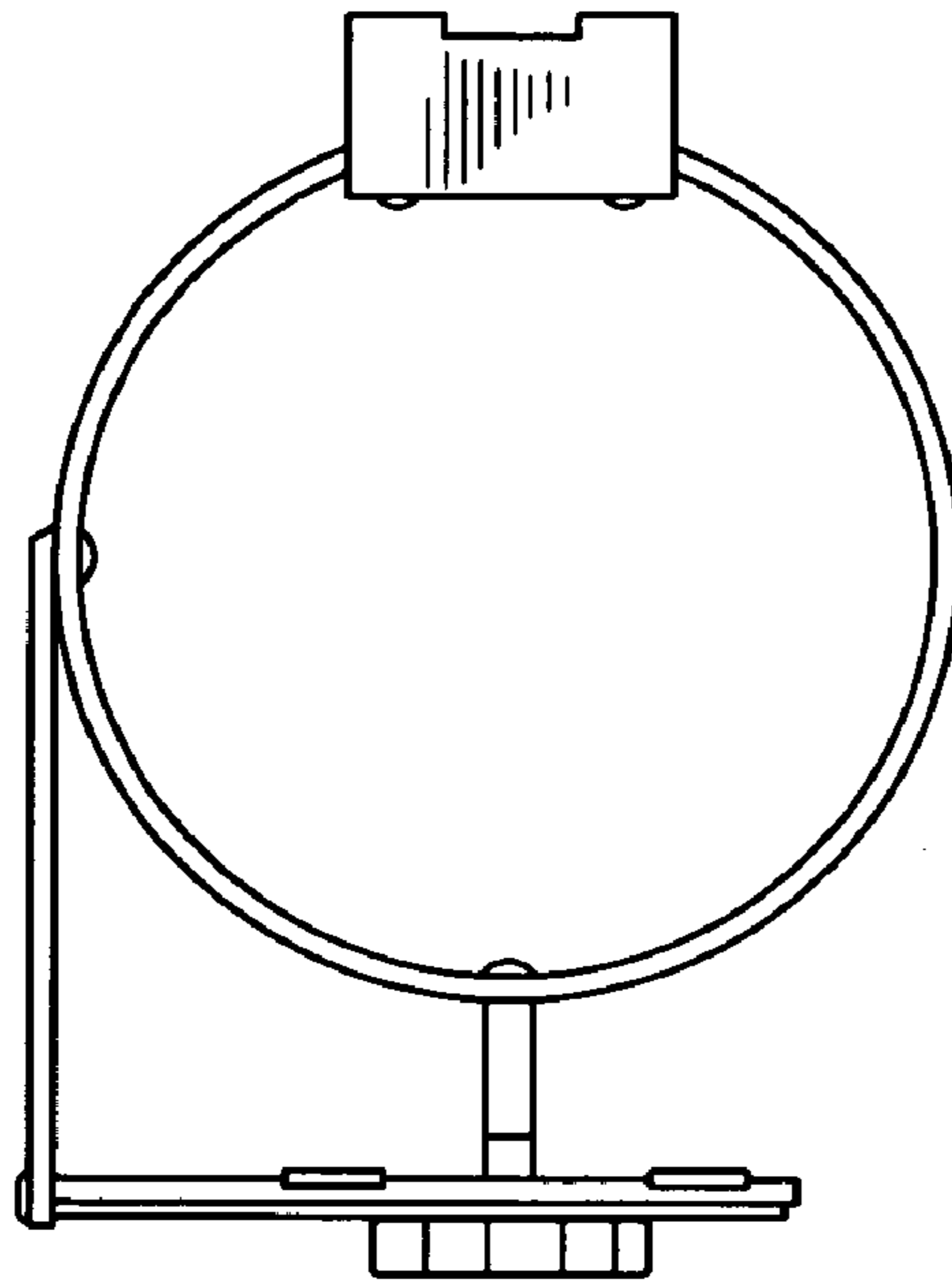


FIG. 4

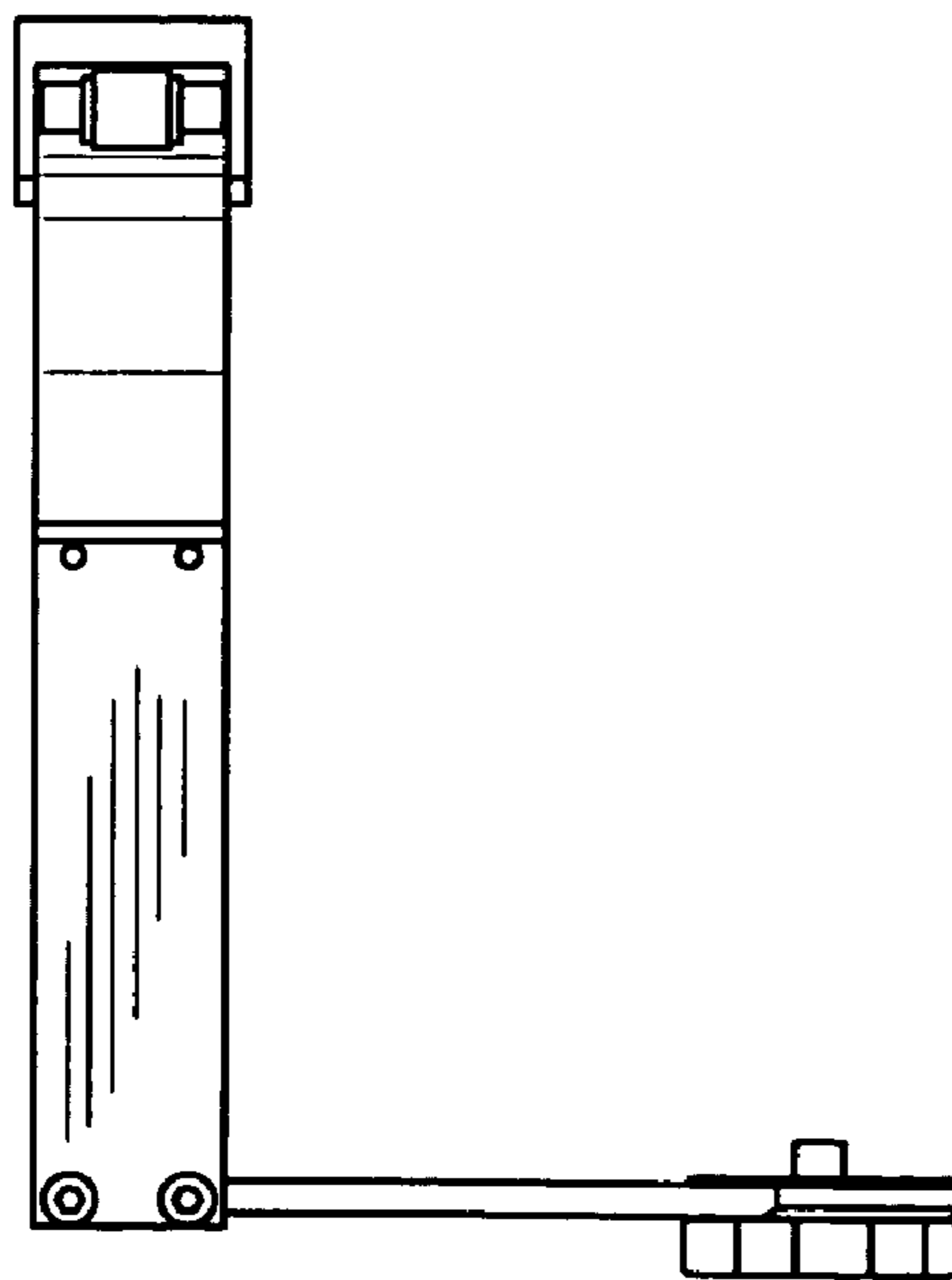


FIG. 5

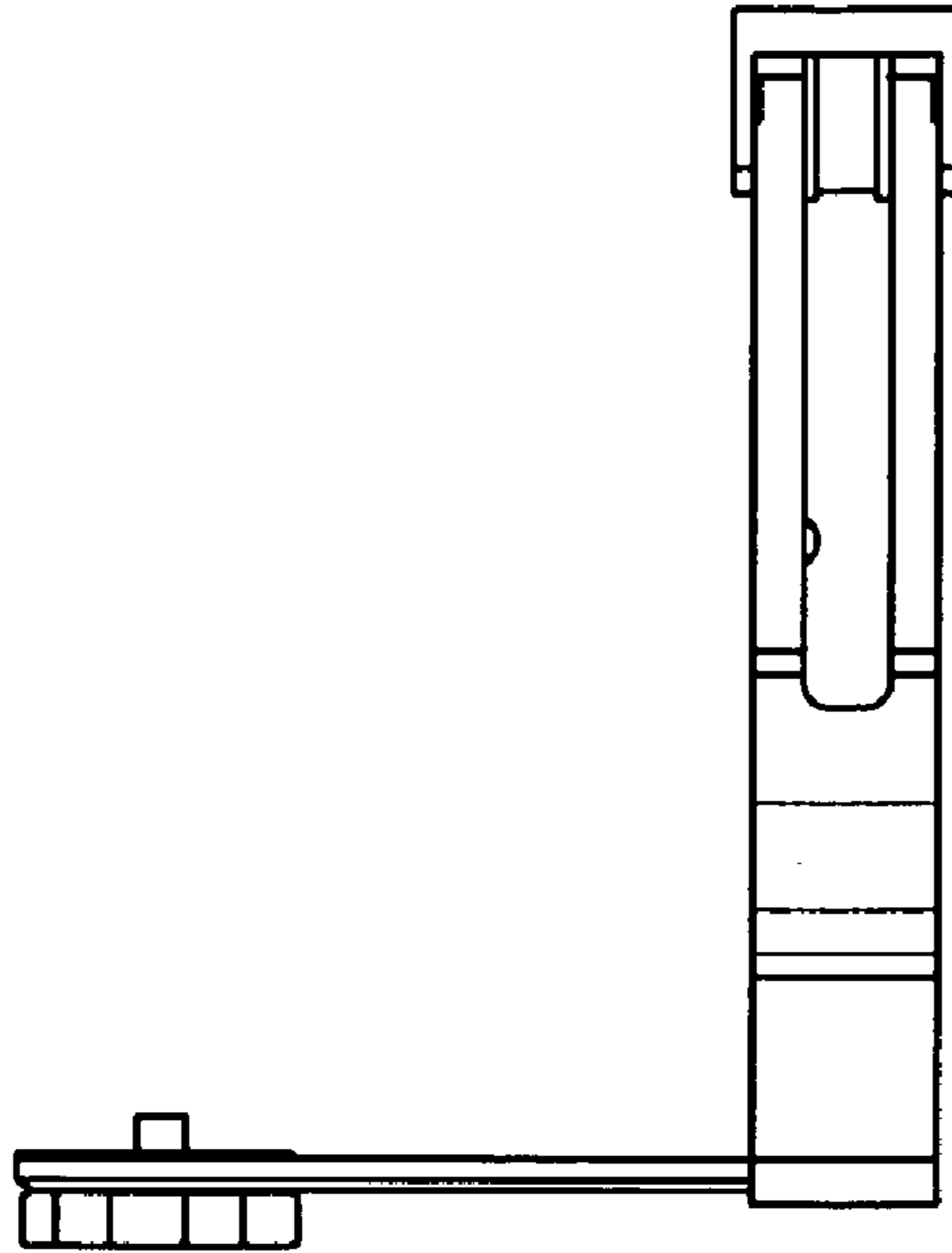


FIG. 6

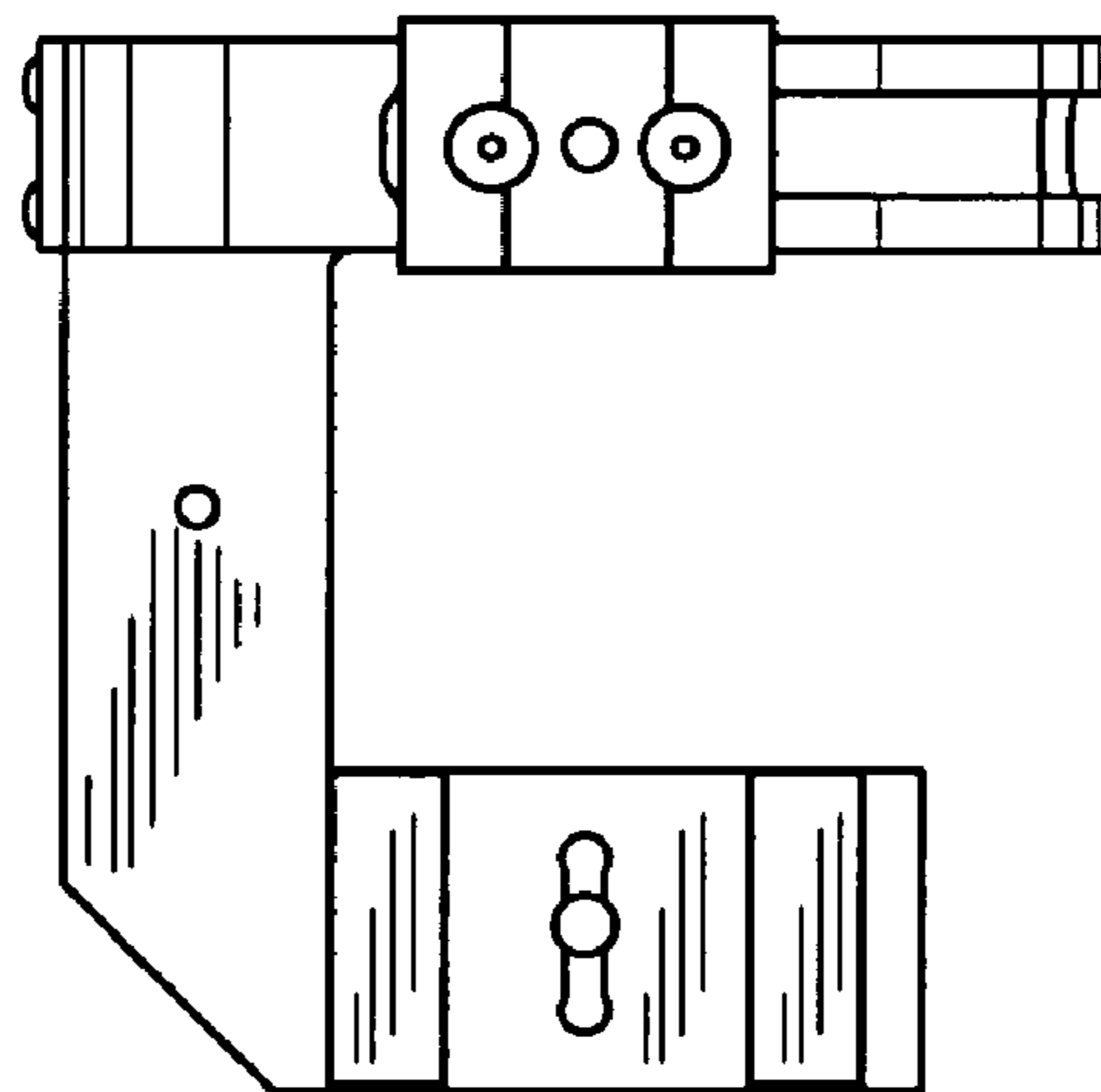


FIG. 7

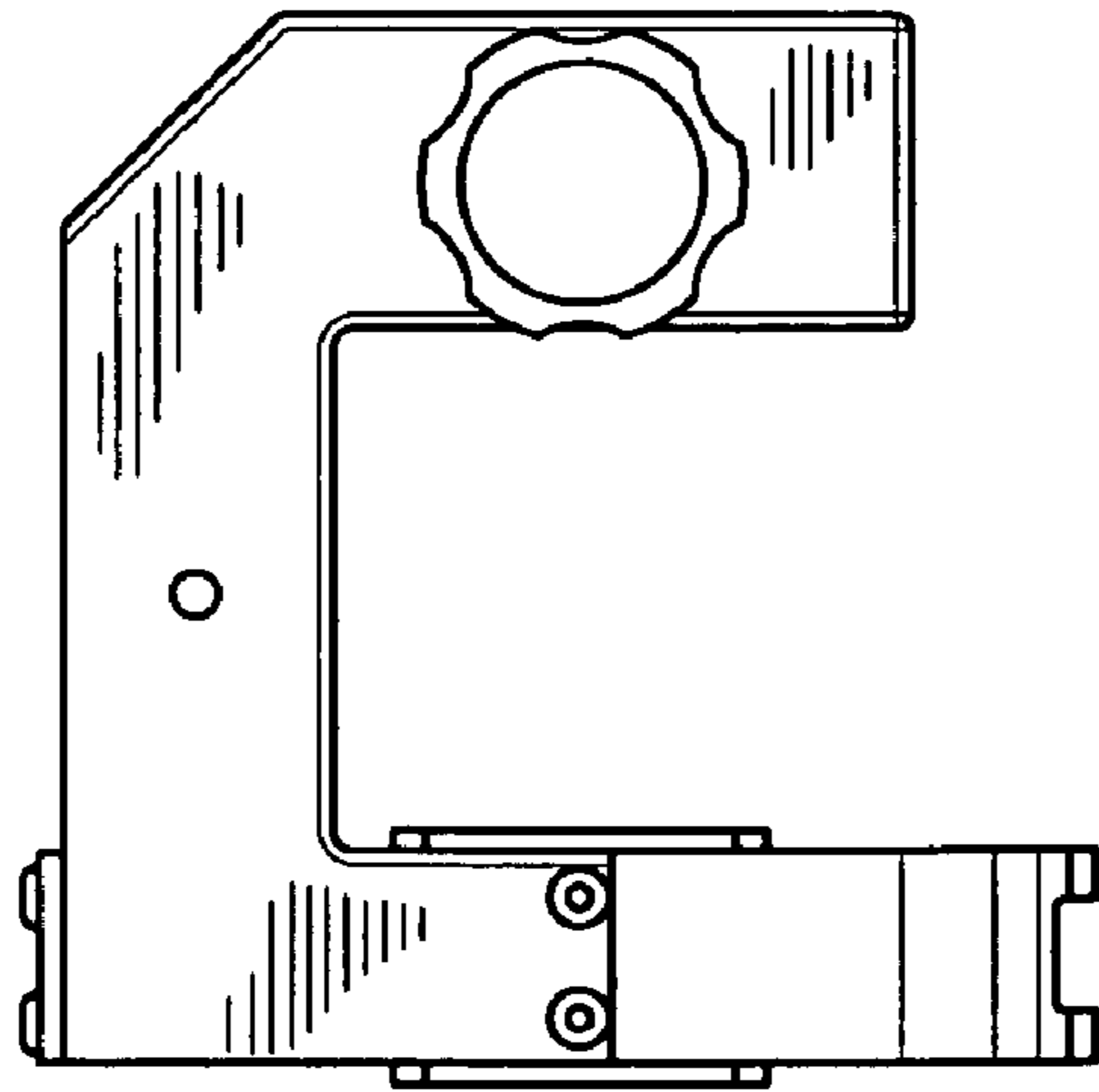


FIG. 8

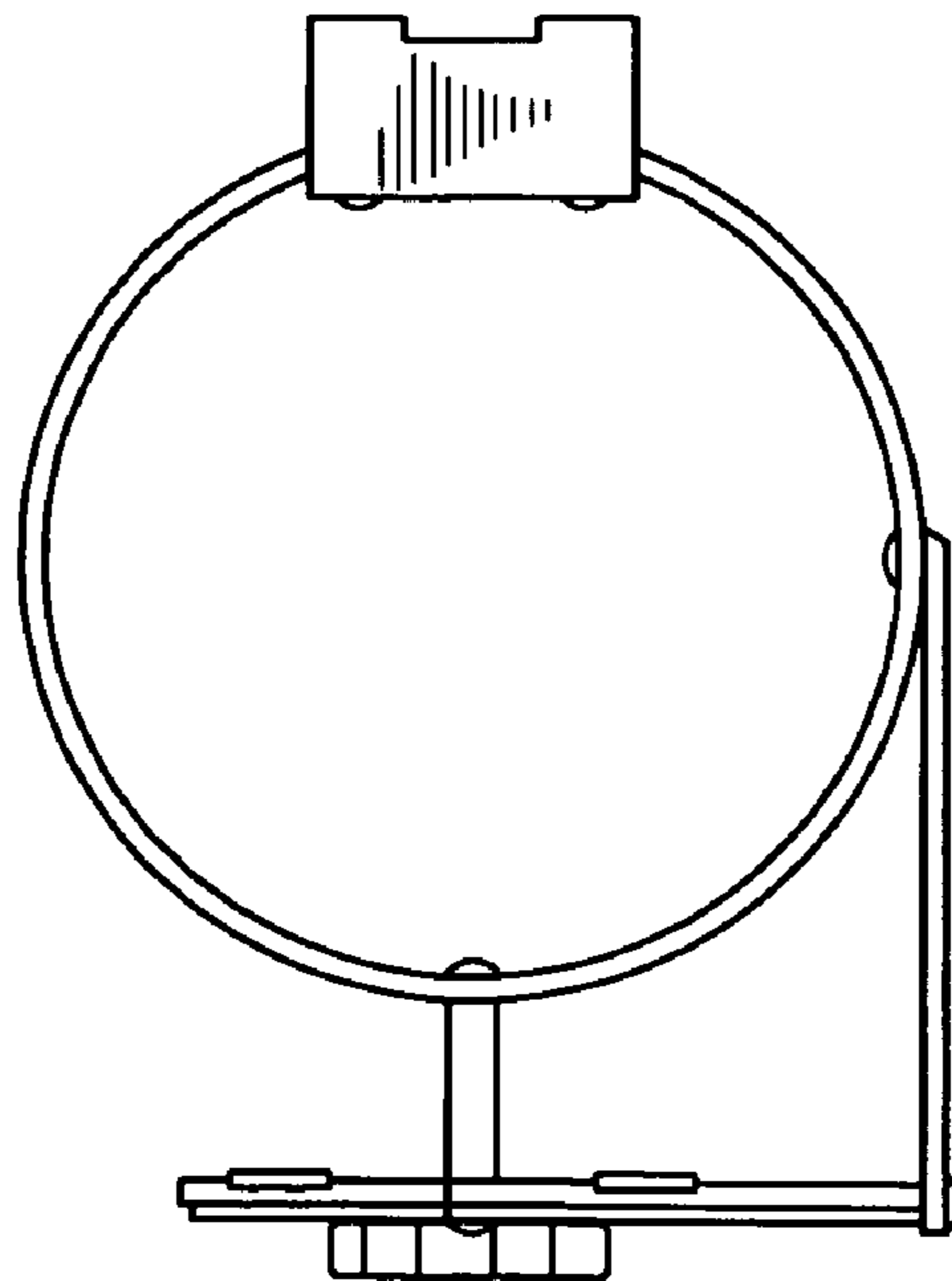


FIG. 9