

US00D591323S

(12) **United States Design Patent**
Fong

(10) **Patent No.:** **US D591,323 S**
(45) **Date of Patent:** **** Apr. 28, 2009**

- (54) **PHOTOGRAPHIC DIFFUSER**
- (76) **Inventor:** **Gary Fong**, 1301 First Ave., #2103,
Seattle, WA (US) 98101
- (**) **Term:** **14 Years**
- (21) **Appl. No.:** **29/292,590**
- (22) **Filed:** **Oct. 17, 2007**
- (51) **LOC (9) Cl.** **16-05**
- (52) **U.S. Cl.** **D16/237; D26/118**
- (58) **Field of Classification Search** **D16/237,**
D16/239, 240; D26/118, 119, 124, 128;
362/3, 16-18, 320; 396/176
See application file for complete search history.

5,556,186 A 9/1996 Pilby
 5,839,006 A 11/1998 Beckerman
 D433,178 S * 10/2000 Donato D26/118
 7,399,097 B1 * 7/2008 DeLaPaz 362/18

OTHER PUBLICATIONS

Internet: <http://www.lumiquest.com/>; LumiQuest The World Leader in Flash Accessories for Digital & Film; © 2005 LumiQuest; 1 sheet.
 Internet: <http://www.stofen.com/>; STO-FEN Products; 1 sheet.
 Product Pamphlet: Strobiframe Flash Brackets and accessories; © 1992; 16 sheets.
 Product Pamphlet: LumiQuest Photographic Accessories; 3 sheets.
 Magazine Article: Sint, S., "Sint's View", Popular Photography, Feb. 1996, 3 sheets.
 Internet: <http://dembflashdiffusers.com/>; Demb Flash Diffuser Pro, 2 sheets.

* cited by examiner

Primary Examiner—Adir Aronovich
 (74) *Attorney, Agent, or Firm*—Christie, Parker & Hale, LLP.

(56) **References Cited**
U.S. PATENT DOCUMENTS

- 3,855,602 A 12/1974 Hoos
- 3,939,340 A * 2/1976 Gozzano et al. 362/320
- 4,066,885 A 1/1978 Weinberg
- 4,084,168 A 4/1978 Pizzuti et al.
- 4,091,402 A 5/1978 Siegel
- 4,146,918 A 3/1979 Tureck
- D251,630 S * 4/1979 Larson D26/128
- 4,251,854 A 2/1981 Kaneko et al.
- 4,446,506 A 5/1984 Larson
- 4,633,374 A 12/1986 Waltz et al.
- 4,757,425 A 7/1988 Waltz
- 4,807,089 A * 2/1989 Nussli 362/17
- D312,471 S * 11/1990 Couch D16/239
- 5,095,325 A 3/1992 Carstens
- 5,154,503 A 10/1992 Sternsher
- D342,273 S * 12/1993 Couch D16/237
- 5,311,409 A 5/1994 King
- D373,132 S * 8/1996 Baillie-Hamilton et al. D16/
237

(57) **CLAIM**

The ornamental design for a photographic diffuser, as shown and described.

DESCRIPTION

FIG. 1 is a perspective view of a photographic light diffuser showing my new design;
 FIG. 2 is a front elevational view thereof;
 FIG. 3 is a right side elevational view thereof, the undisclosed left side view being a mirror image;
 FIG. 4 is a rear elevational view;
 FIG. 5 is a top plan view thereof; and,
 FIG. 6 is a bottom plan view thereof.

1 Claim, 6 Drawing Sheets

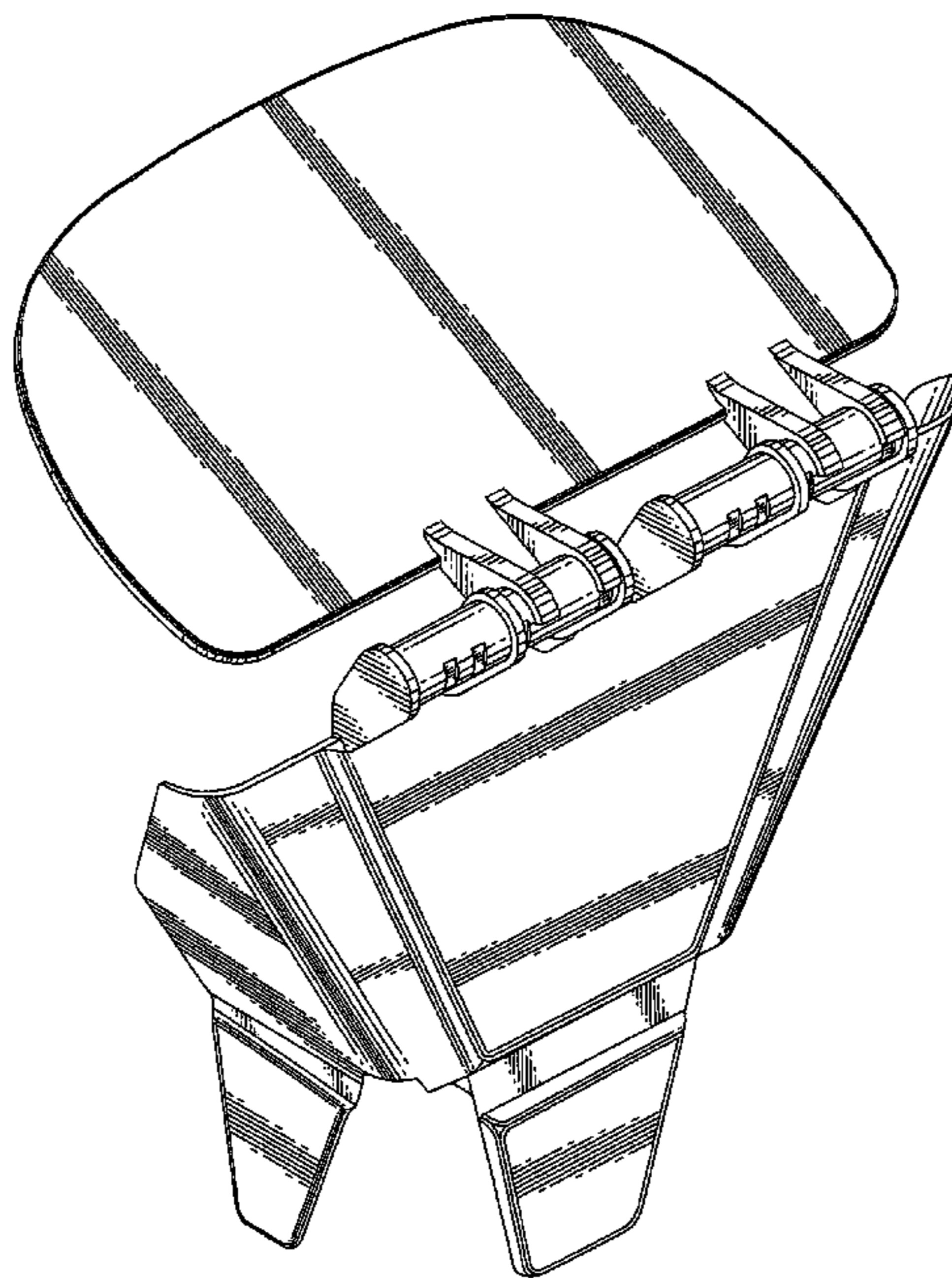


FIG. 1

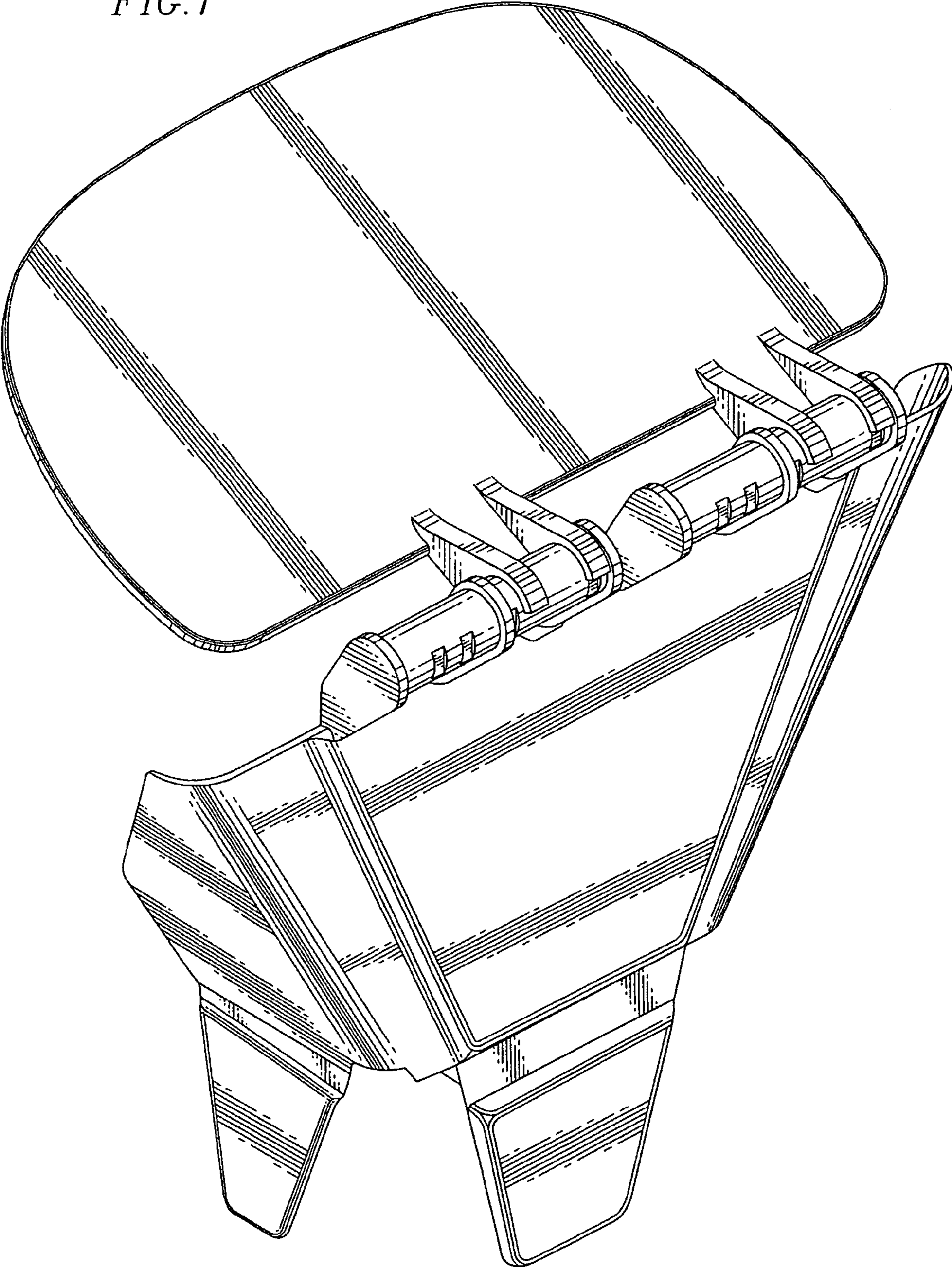


FIG. 2

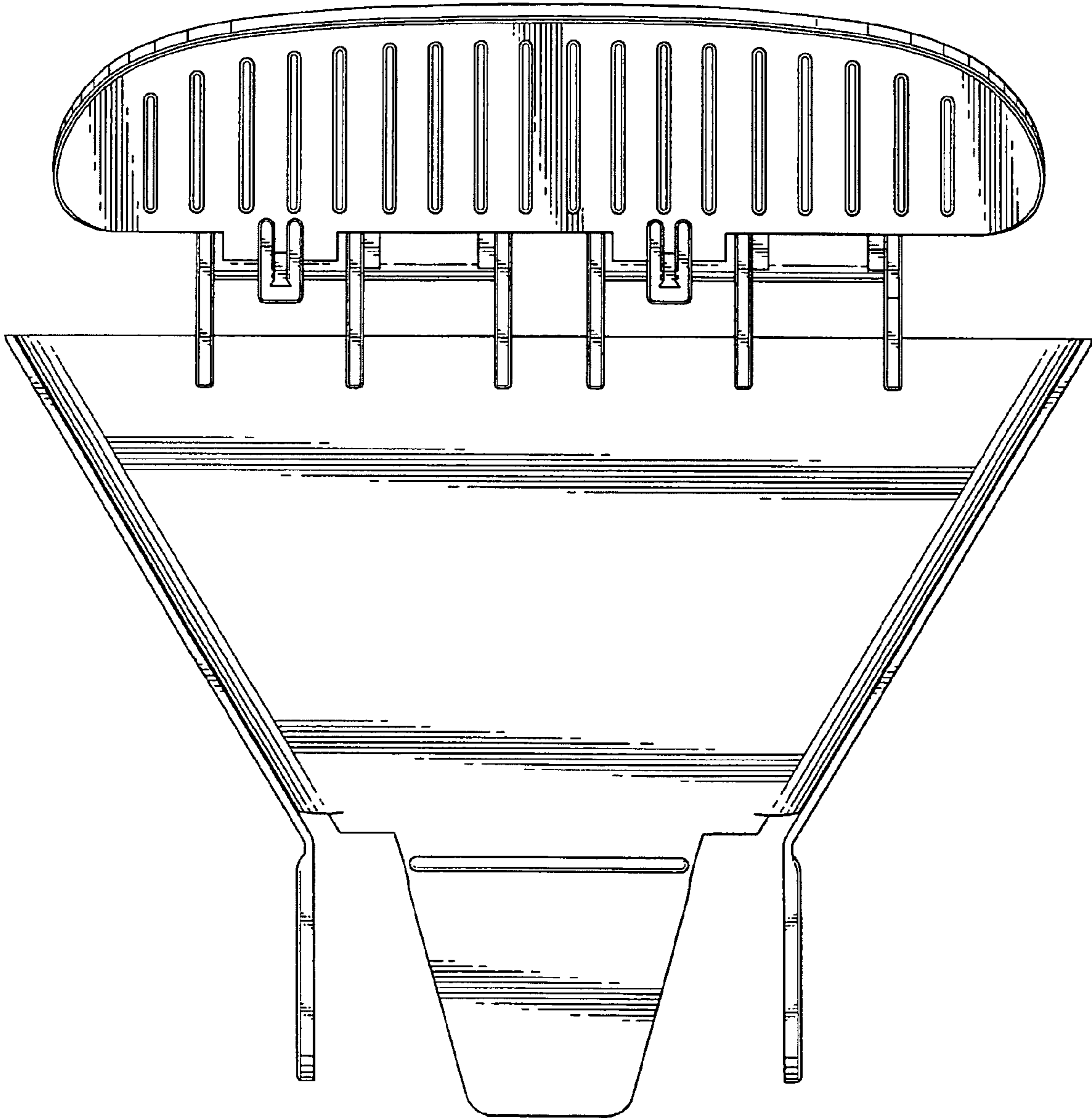


FIG. 3

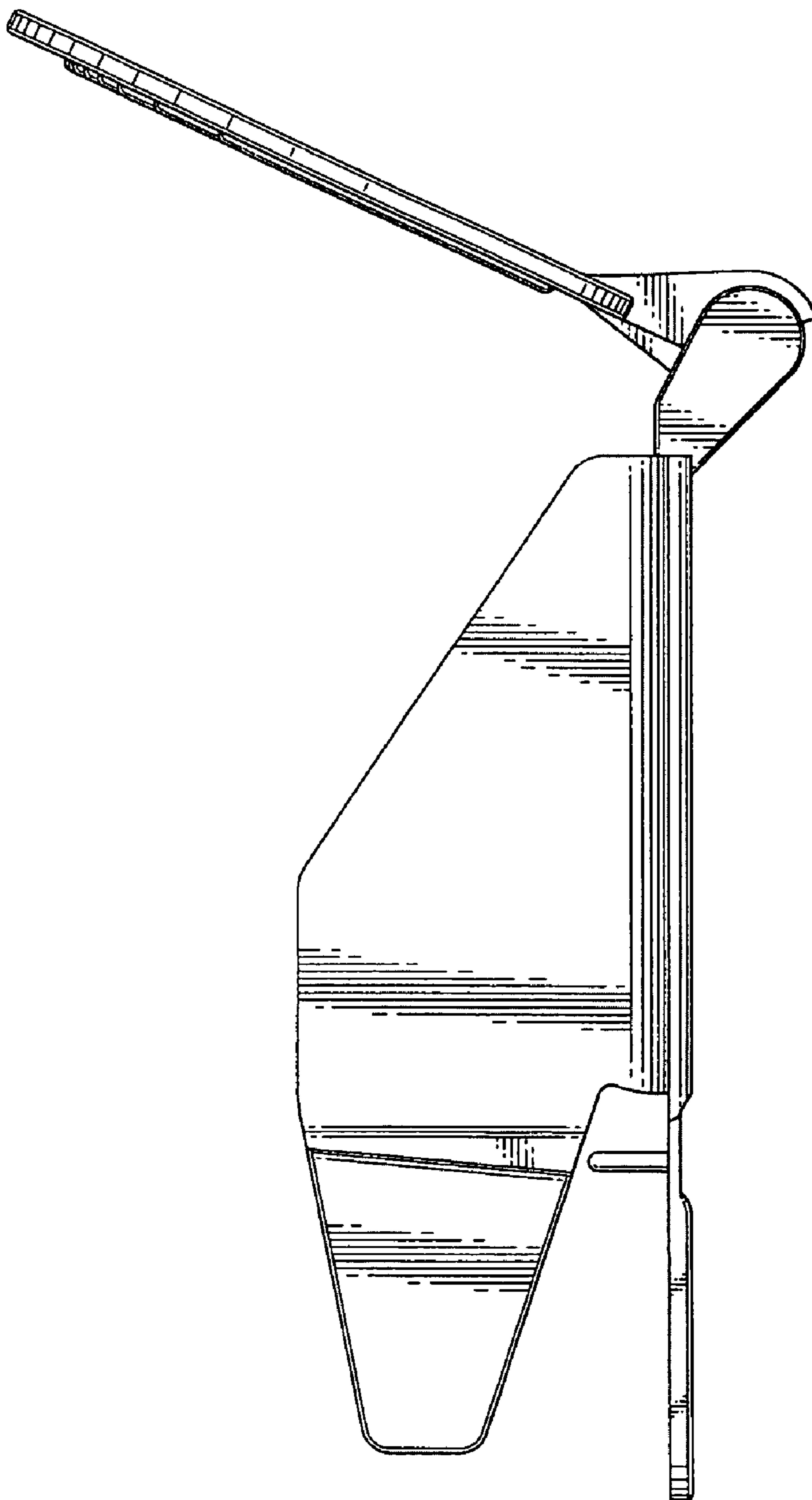


FIG. 4

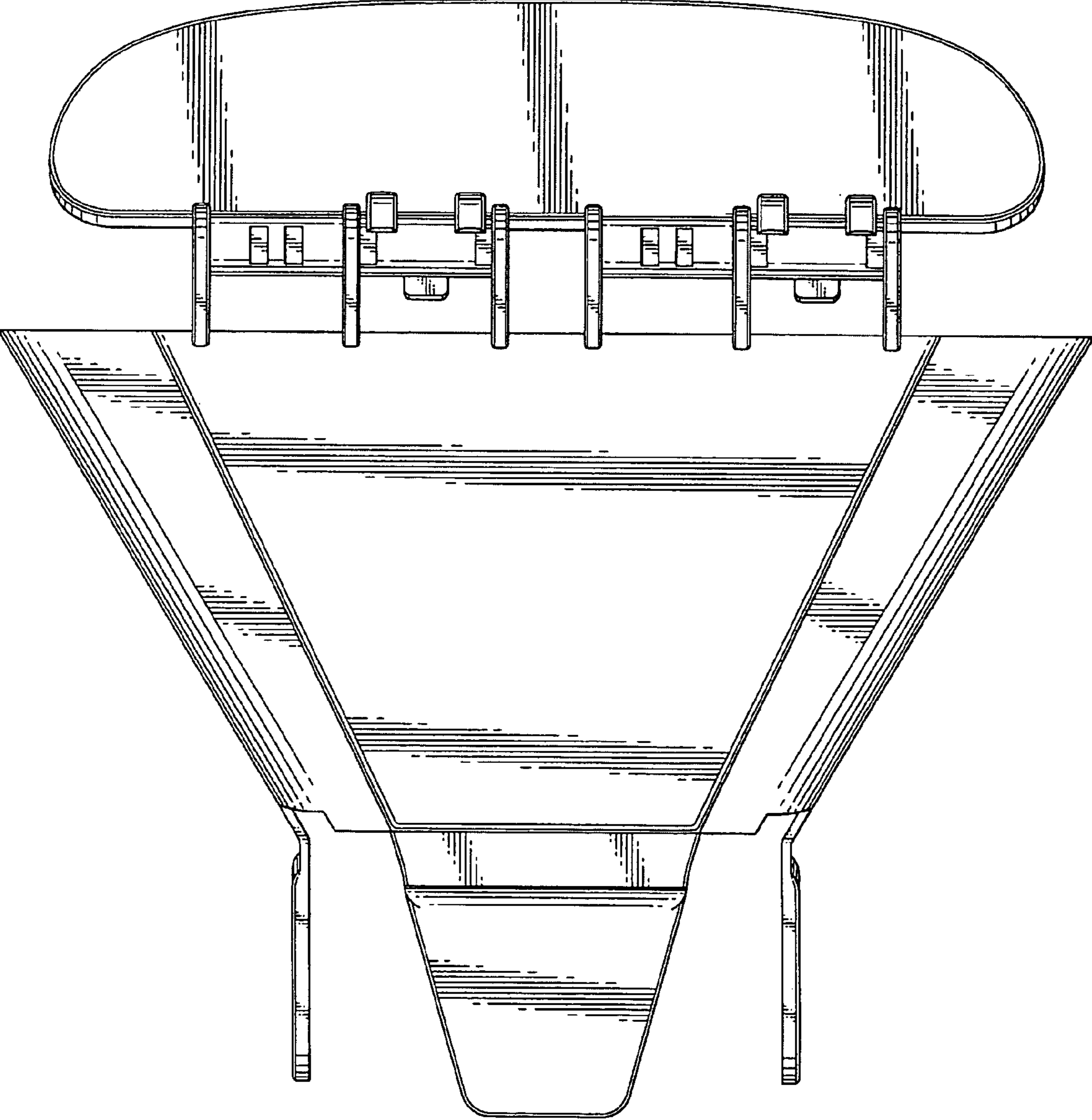


FIG. 5

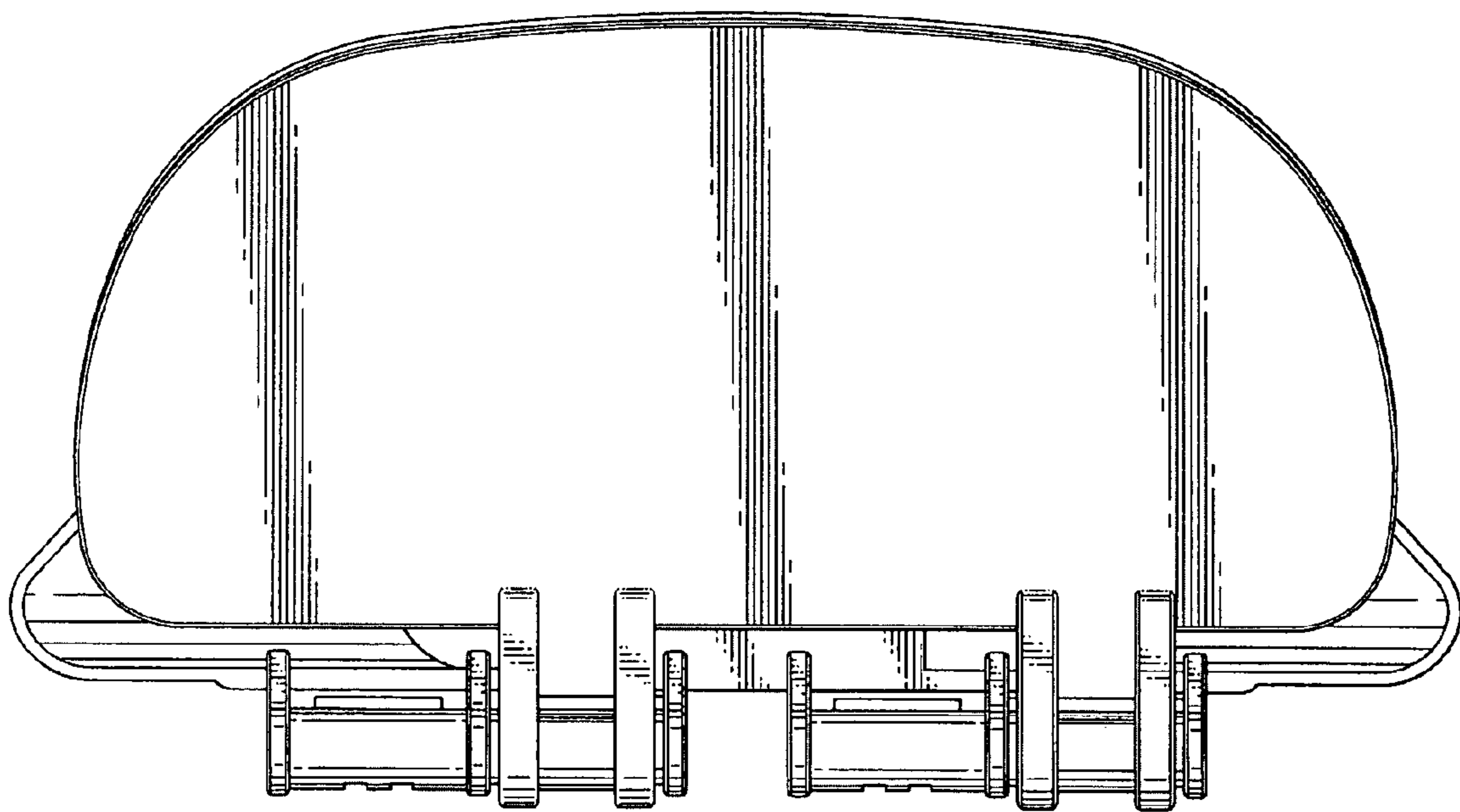


FIG. 6

