



US00D591322S

(12) **United States Design Patent**  
**Nagumo**

(10) **Patent No.:** **US D591,322 S**  
(45) **Date of Patent:** **\*\* Apr. 28, 2009**

(54) **LAMP FOR PROJECTOR**

(75) Inventor: **Toshihiko Nagumo**, Shiojiri (JP)

(73) Assignee: **Seiko Epson Corporation**, Tokyo (JP)

(\*\*) Term: **14 Years**

(21) Appl. No.: **29/296,398**

(22) Filed: **Oct. 19, 2007**

(30) **Foreign Application Priority Data**

Jul. 12, 2007 (JP) ..... 2007-018927

(51) **LOC (9) Cl.** ..... **16-02**

(52) **U.S. Cl.** ..... **D16/235**

(58) **Field of Classification Search** ..... D16/221,  
D16/237, 225, 235-236; D26/1, 28, 24,  
D26/36; 353/85, 87, 97-98, 119; 352/198,  
352/203; 362/294, 368, 430, 227, 242, 362  
See application file for complete search history.

(56) **References Cited**

**U.S. PATENT DOCUMENTS**

D420,455 S \* 2/2000 Haba et al. .... D26/1  
D424,089 S \* 5/2000 Takizawa ..... D16/221  
6,461,025 B1 \* 10/2002 Payne ..... 362/374  
7,052,147 B2 \* 5/2006 Katsuma et al. .... 353/119  
7,104,654 B2 \* 9/2006 Tamaru et al. .... 353/85  
D558,252 S \* 12/2007 Matsumiya et al. .... D16/221

D561,232 S \* 2/2008 Nishizawa et al. .... D16/235  
D574,408 S \* 8/2008 Kobayashi et al. .... D16/235  
2007/0121083 A1 \* 5/2007 Iinuma et al. .... 353/85

\* cited by examiner

*Primary Examiner*—Ian Simmons  
*Assistant Examiner*—Wan Laymon

(74) *Attorney, Agent, or Firm*—Oliff & Berridge, PLC

(57) **CLAIM**

The ornamental design for a lamp for projector, as shown and described.

**DESCRIPTION**

FIG. 1 is a top and front perspective view of a lamp for projector;

FIG. 2 is a bottom and rear perspective view thereof;

FIG. 3 is a front view thereof;

FIG. 4 is a rear view thereof;

FIG. 5 is a left-side view thereof;

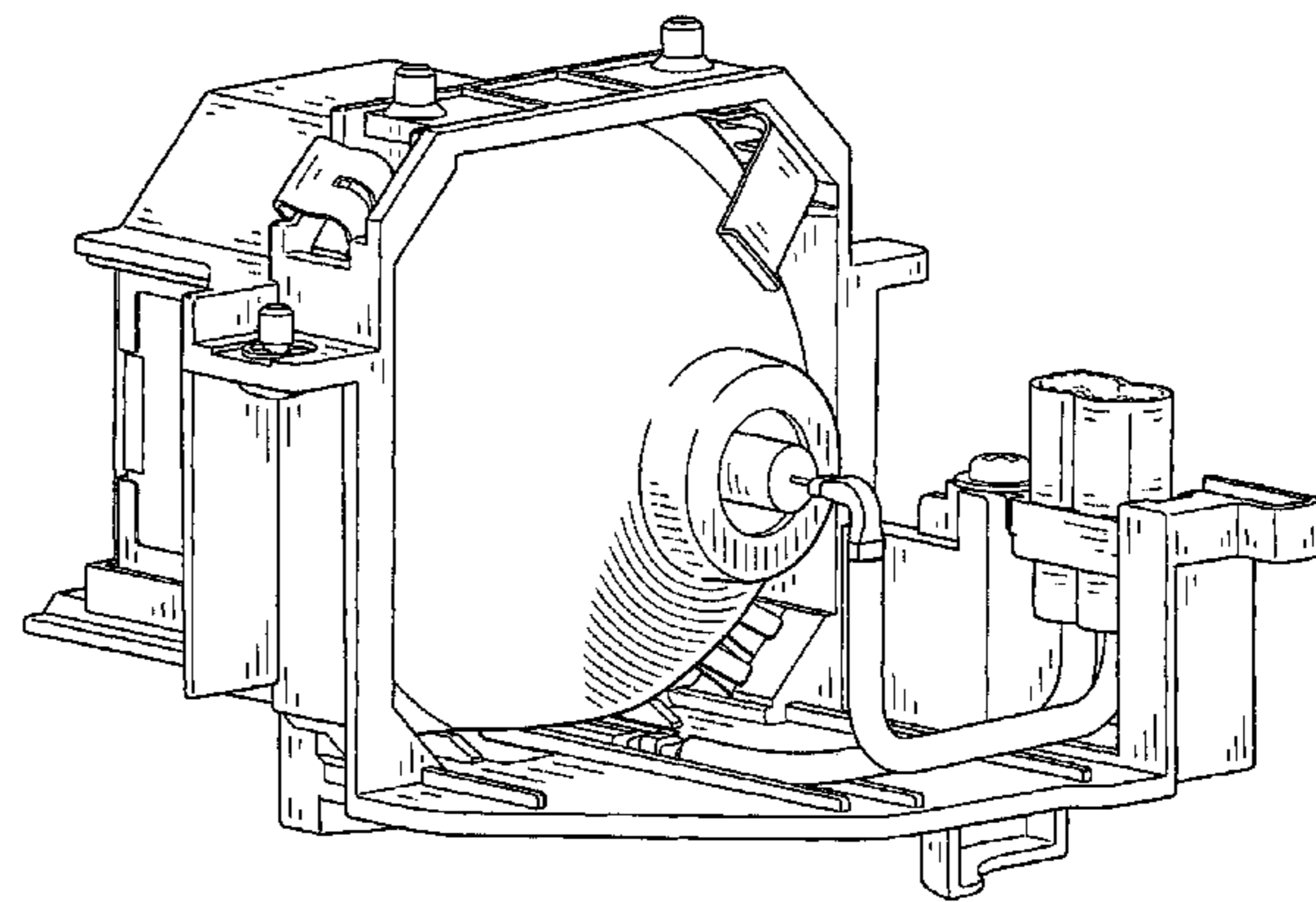
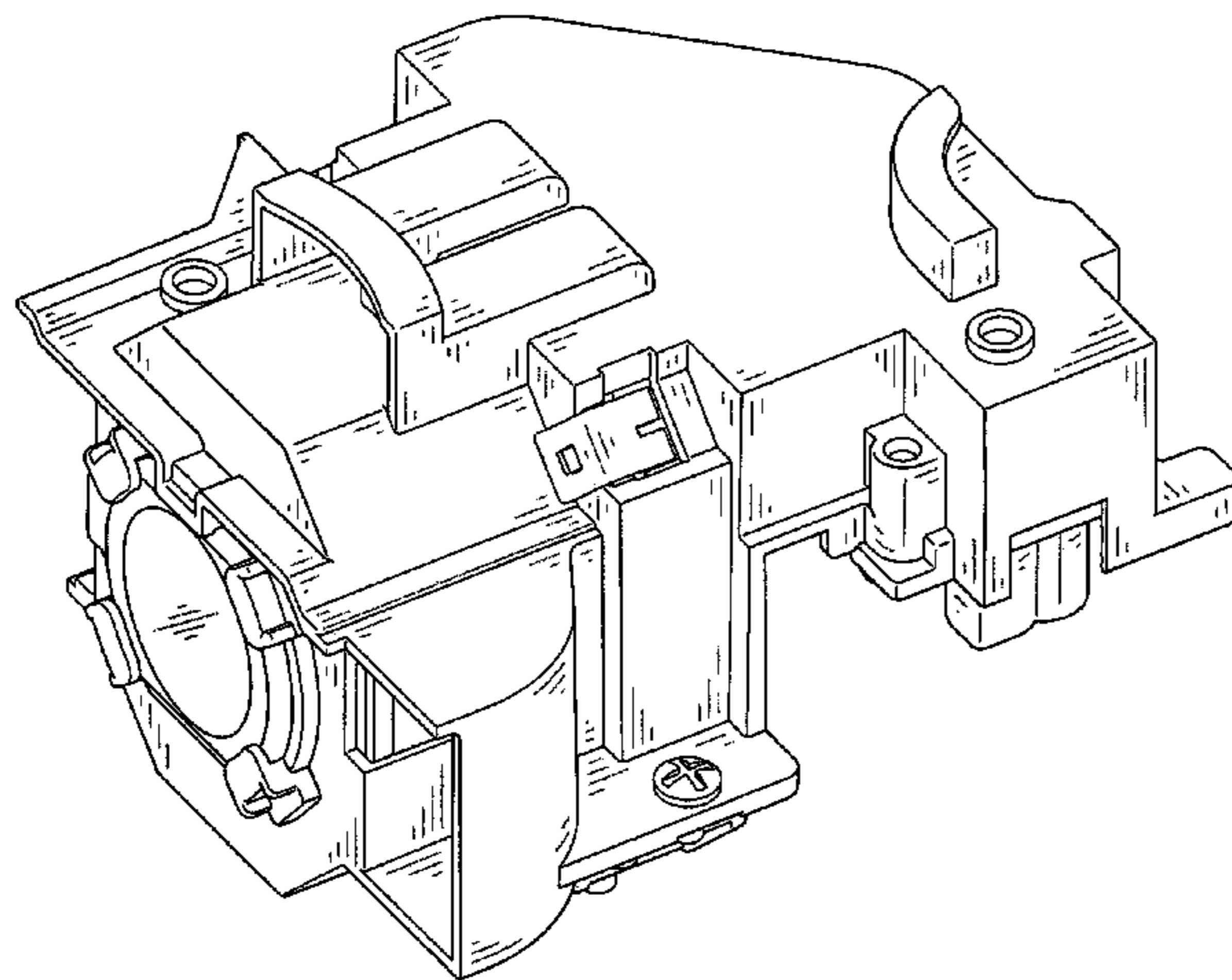
FIG. 6 is a right-side view thereof;

FIG. 7 is a top view thereof; and,

FIG. 8 is a bottom view thereof.

The broken lines depict environmental subject matter only and form no part of the claimed design.

**1 Claim, 8 Drawing Sheets**



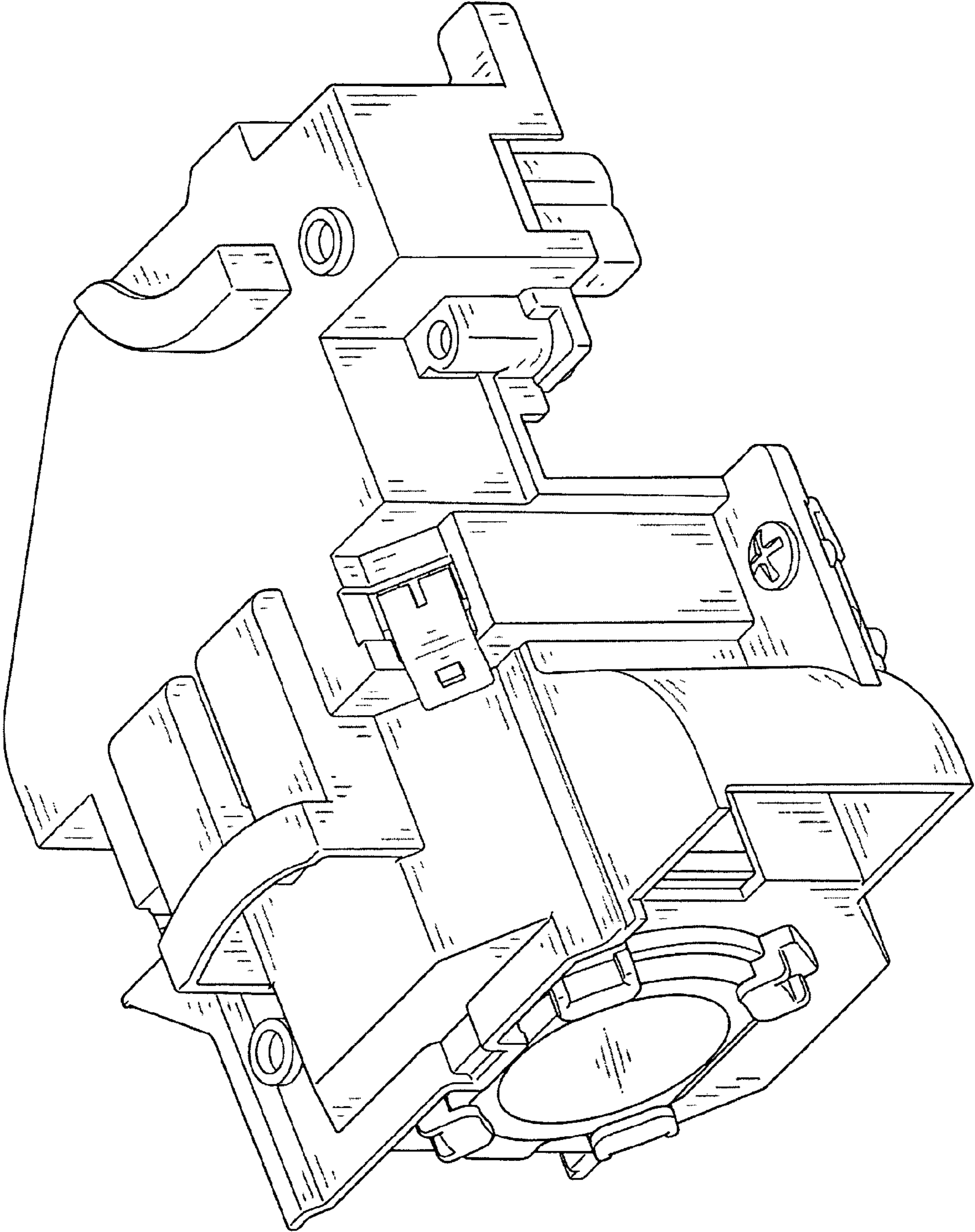


FIG. 1

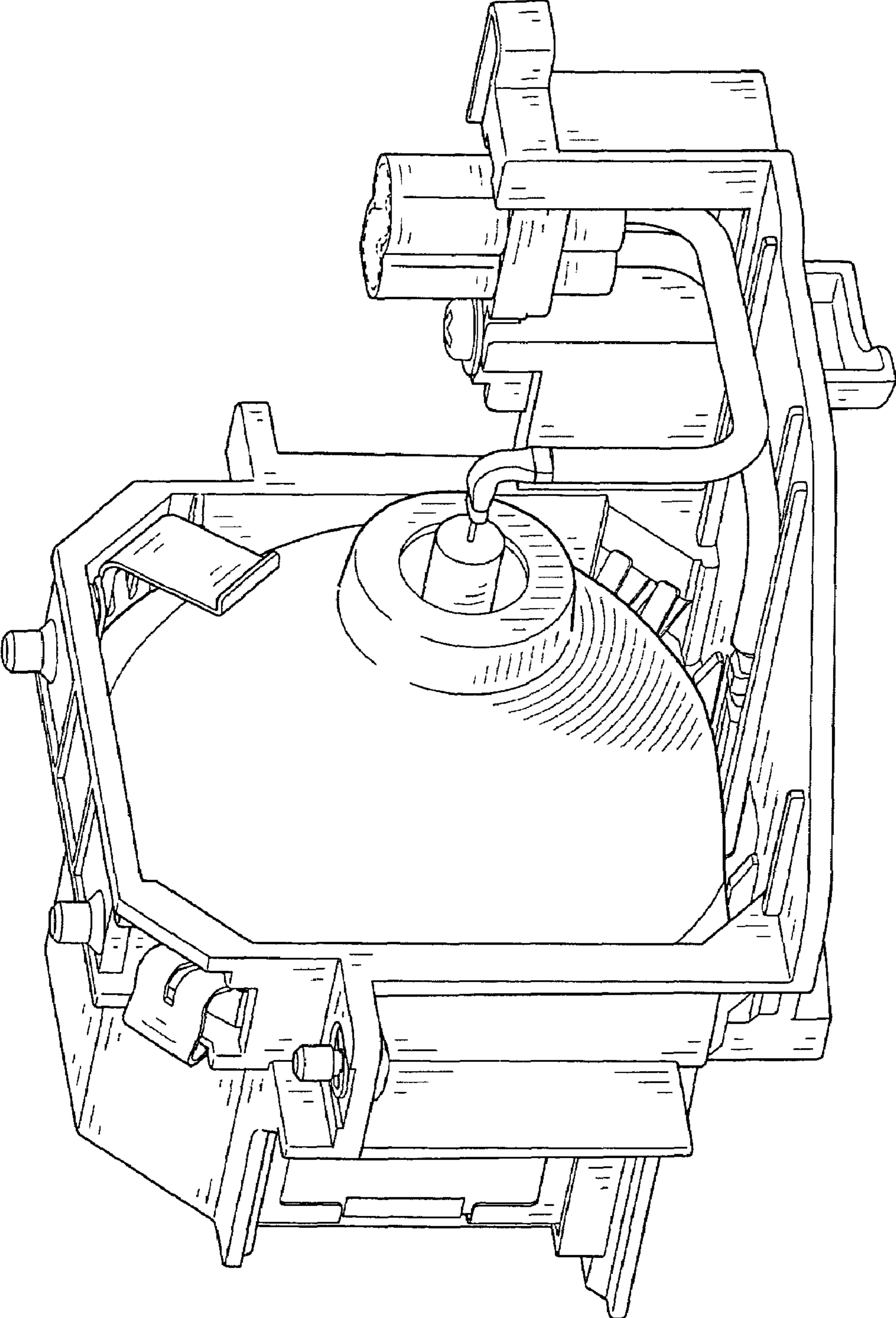


FIG. 2

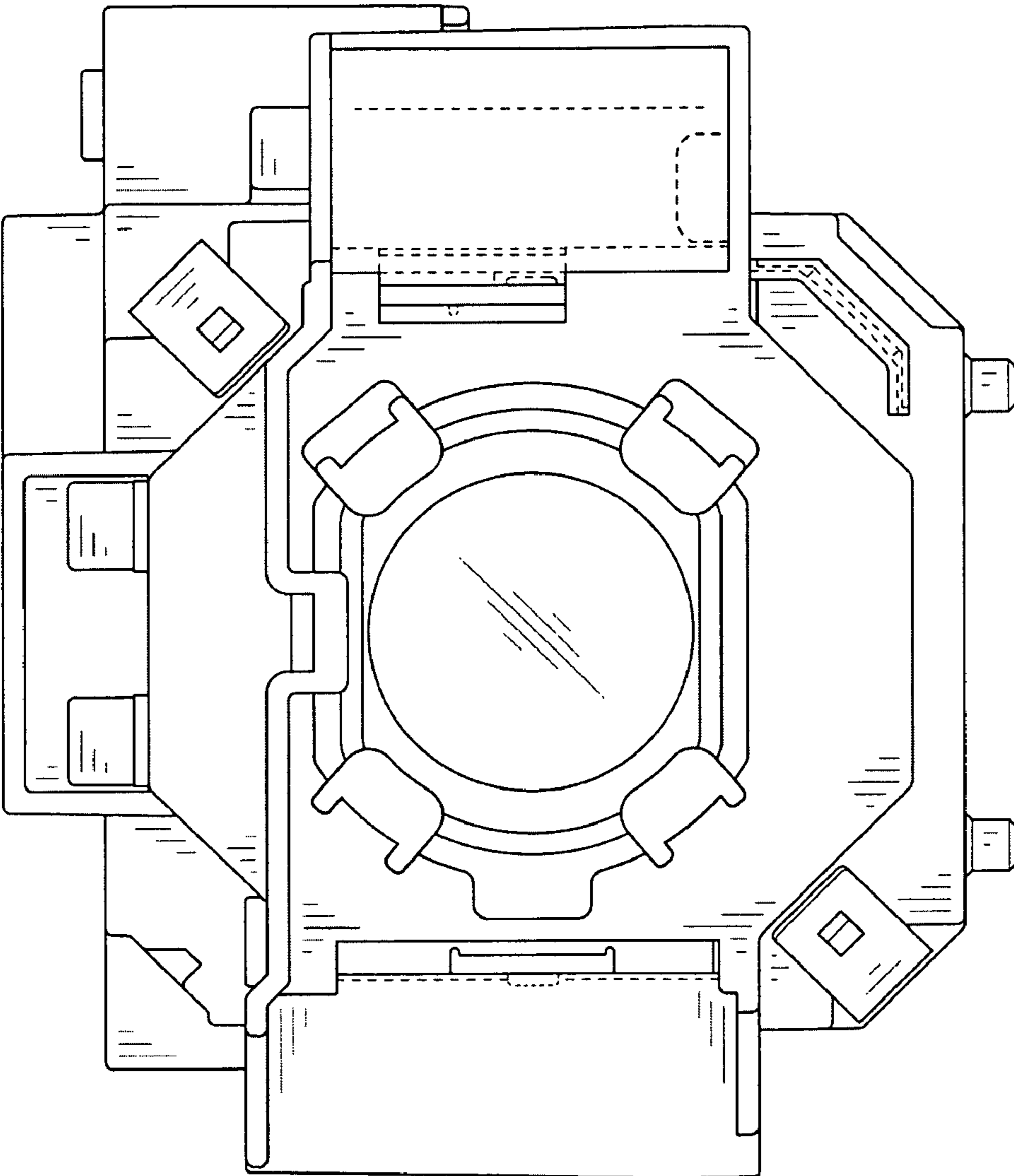


FIG. 3



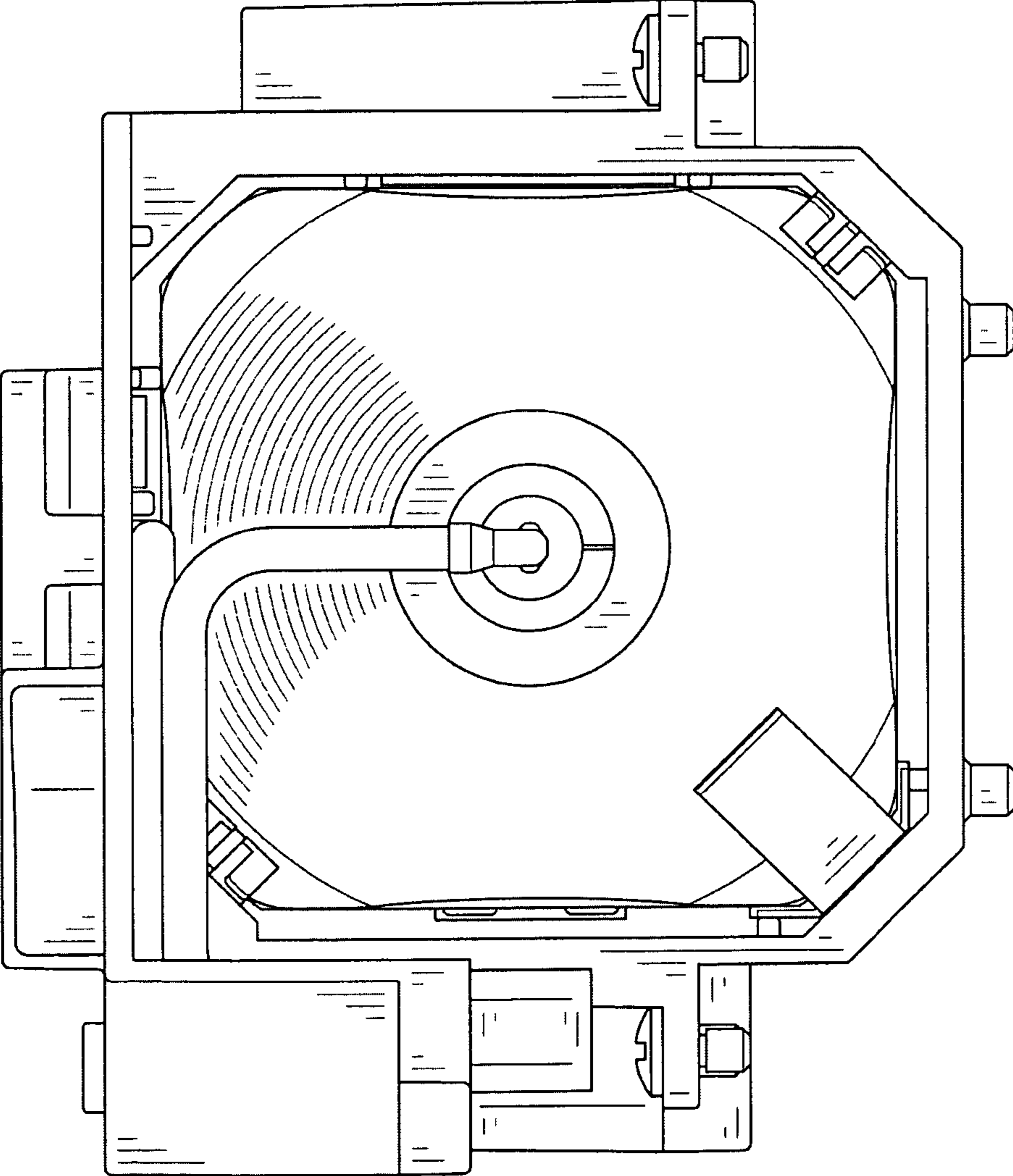


FIG. 4

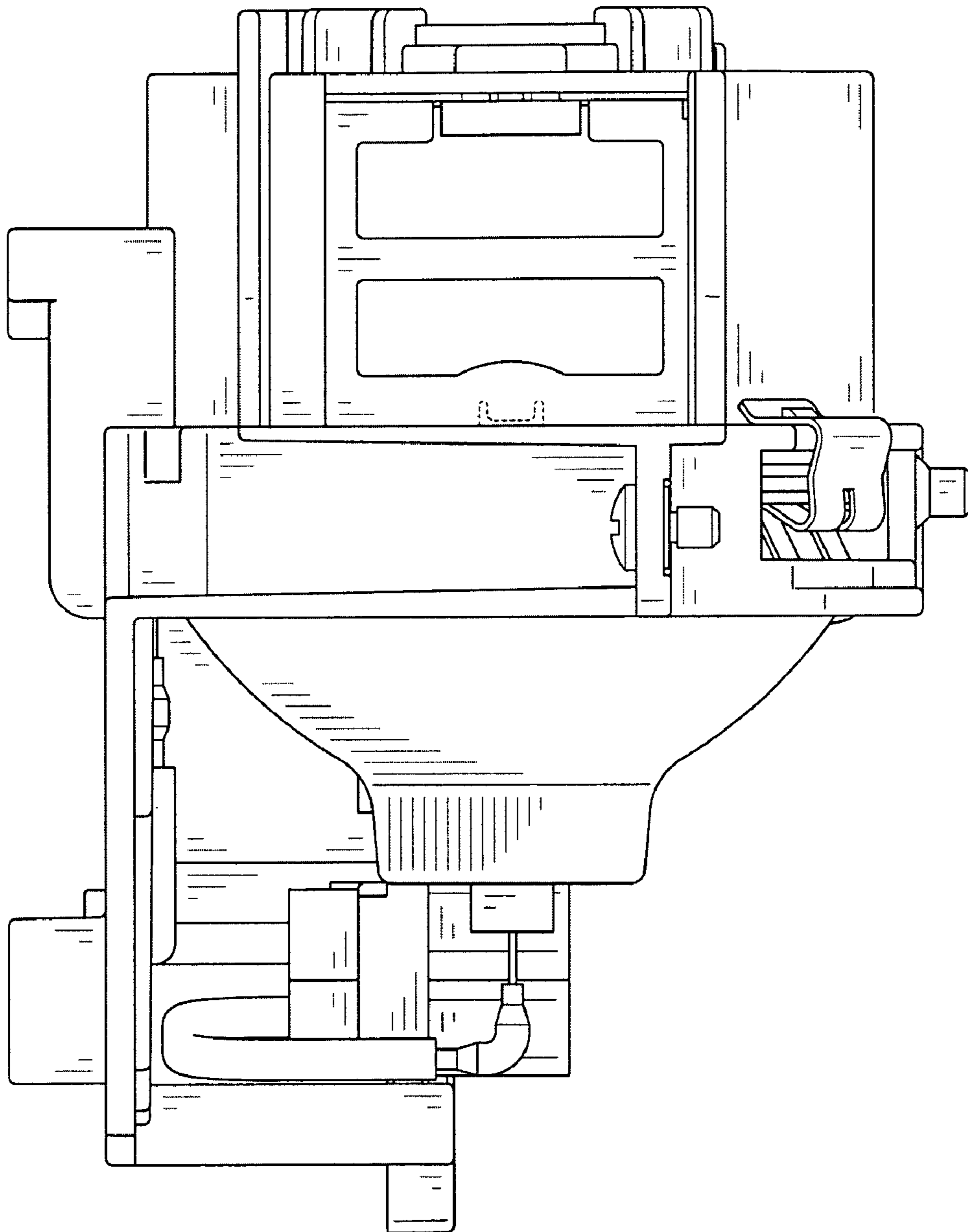


FIG. 5

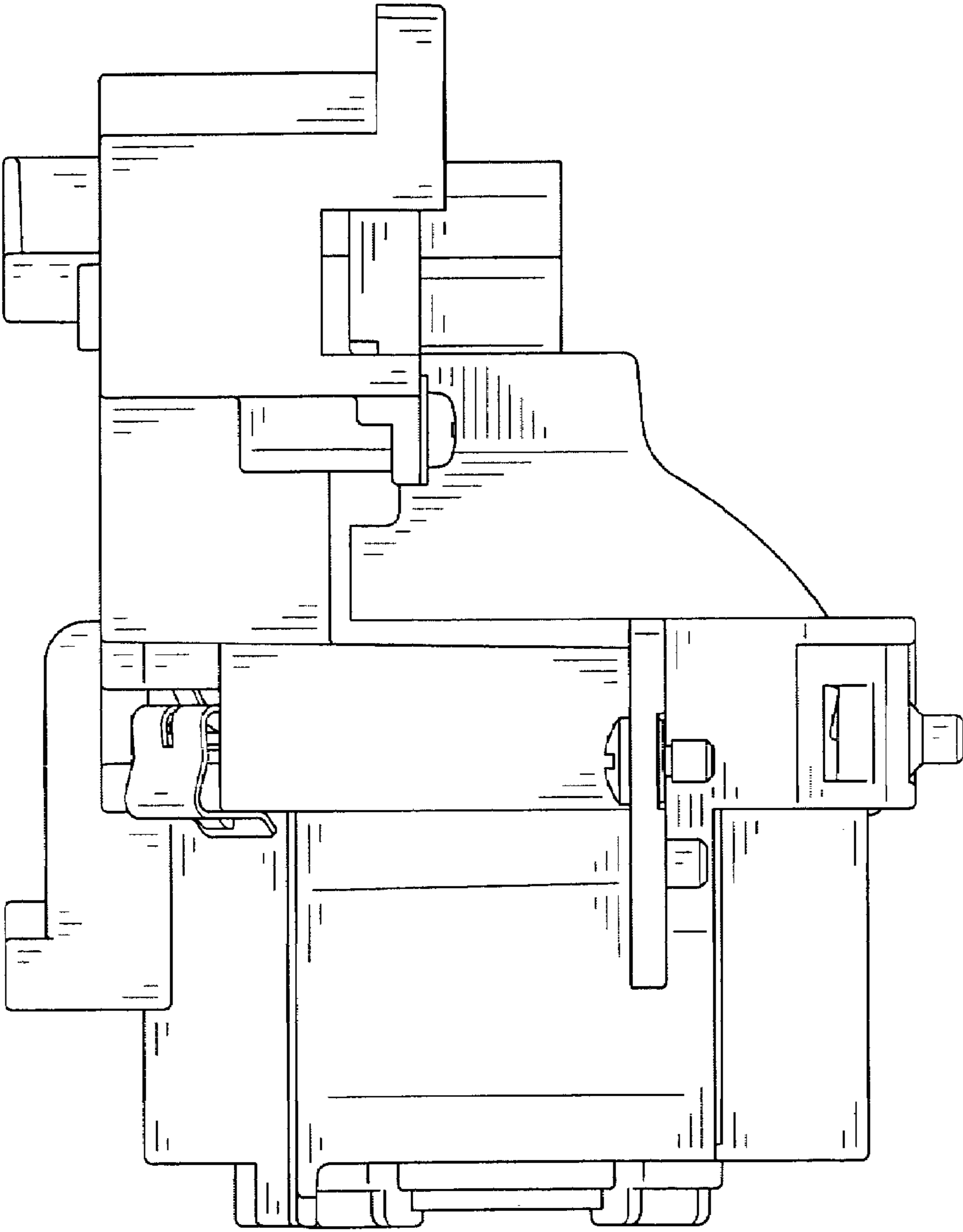


FIG. 6

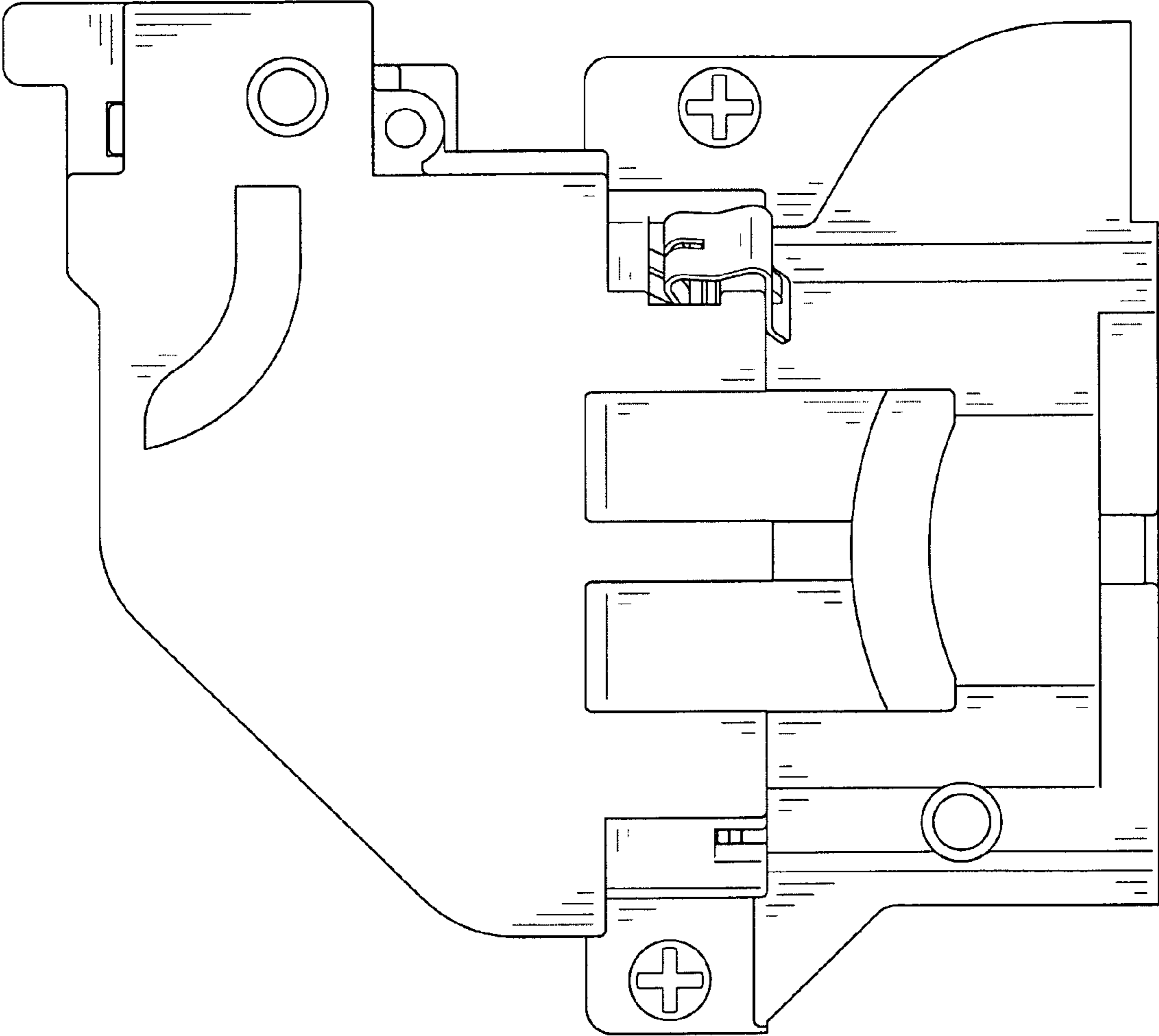


FIG. 7



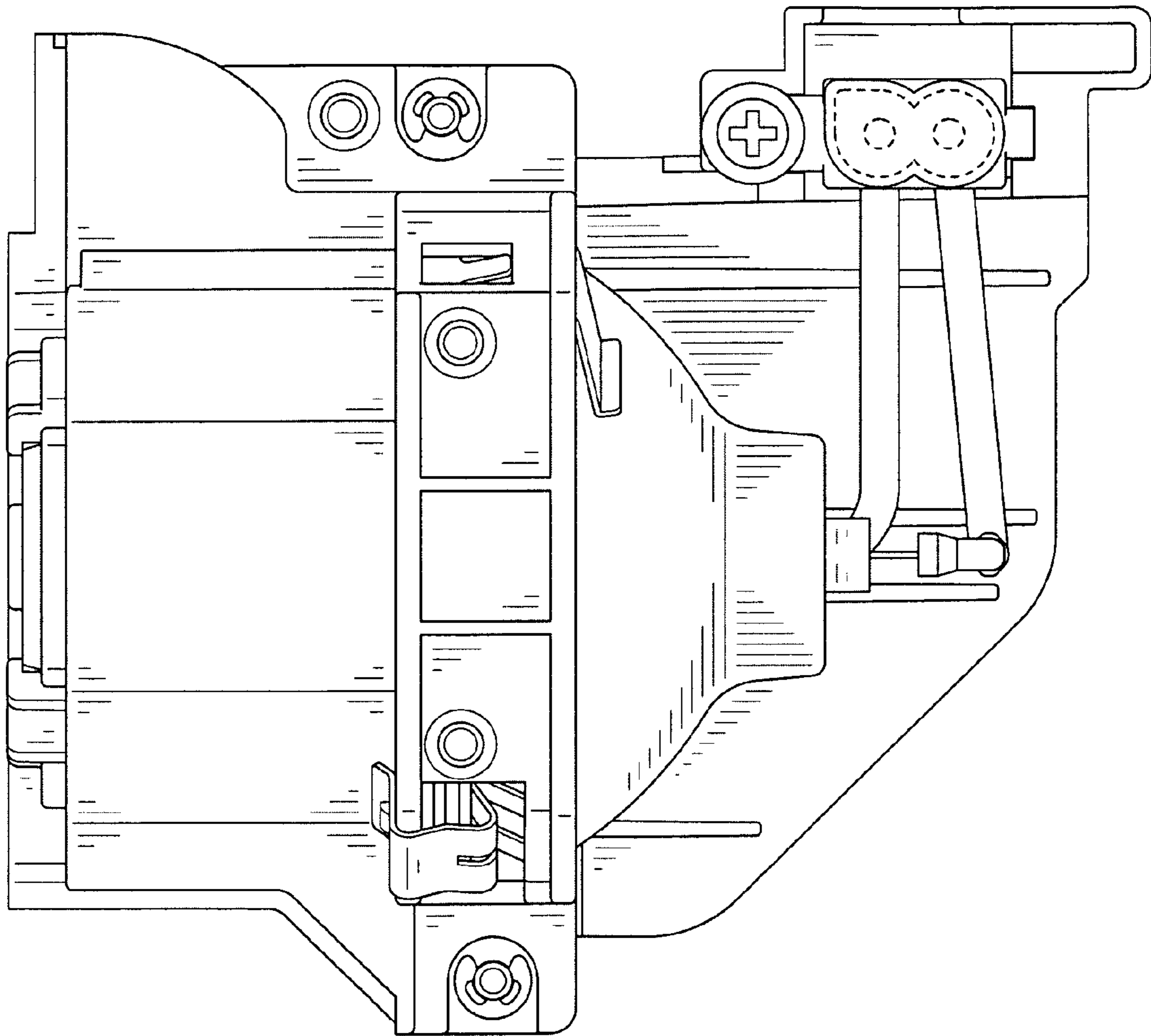


FIG. 8