

US00D591316S

(12) **United States Design Patent**
Pfister et al.

(10) **Patent No.:** **US D591,316 S**

(45) **Date of Patent:** **** Apr. 28, 2009**

(54) **COOLER**

(75) Inventors: **Steven C. Pfister**, Dunwoody, GA (US);
Eugenio Mendez, Atlanta, GA (US);
Craig Cochran, Atlanta, GA (US);
Stephen J. Zwonitzer, Atlanta, GA
(US); **Shane Byler**, Mableton, GA (US);
Kurt Rampton, Atlanta, GA (US)

(73) Assignee: **The Coca-Cola Company**, Atlanta, GA
(US)

(**) Term: **14 Years**

(21) Appl. No.: **29/278,701**

(22) Filed: **Apr. 6, 2007**

(51) **LOC (9) Cl.** **15-07**

(52) **U.S. Cl.** **D15/89**

(58) **Field of Classification Search** D15/79-91;
62/3.6, 246-255, 275, 337, 344; 312/116,
312/138.1, 139.1, 139.2, 236, 348.6, 401-405
See application file for complete search history.

(56) **References Cited**

U.S. PATENT DOCUMENTS

D364,880 S * 12/1995 Robertson et al. D15/89
D439,914 S * 4/2001 Trulaske, Sr. D6/509

D472,882 S * 4/2003 Moye et al. D13/162
D519,528 S * 4/2006 Reese D15/89
D520,030 S * 5/2006 Reese et al. D15/89

* cited by examiner

Primary Examiner—Stella M Reid

Assistant Examiner—Shanda C Hill

(74) *Attorney, Agent, or Firm*—Sutherland Asbill & Brennan
LLP

(57) **CLAIM**

The ornamental design for a cooler, as shown and described.

DESCRIPTION

FIG. 1 is a perspective view of a cooler showing our new design;

FIG. 2 is a left view thereof;

FIG. 3 is a right view thereof;

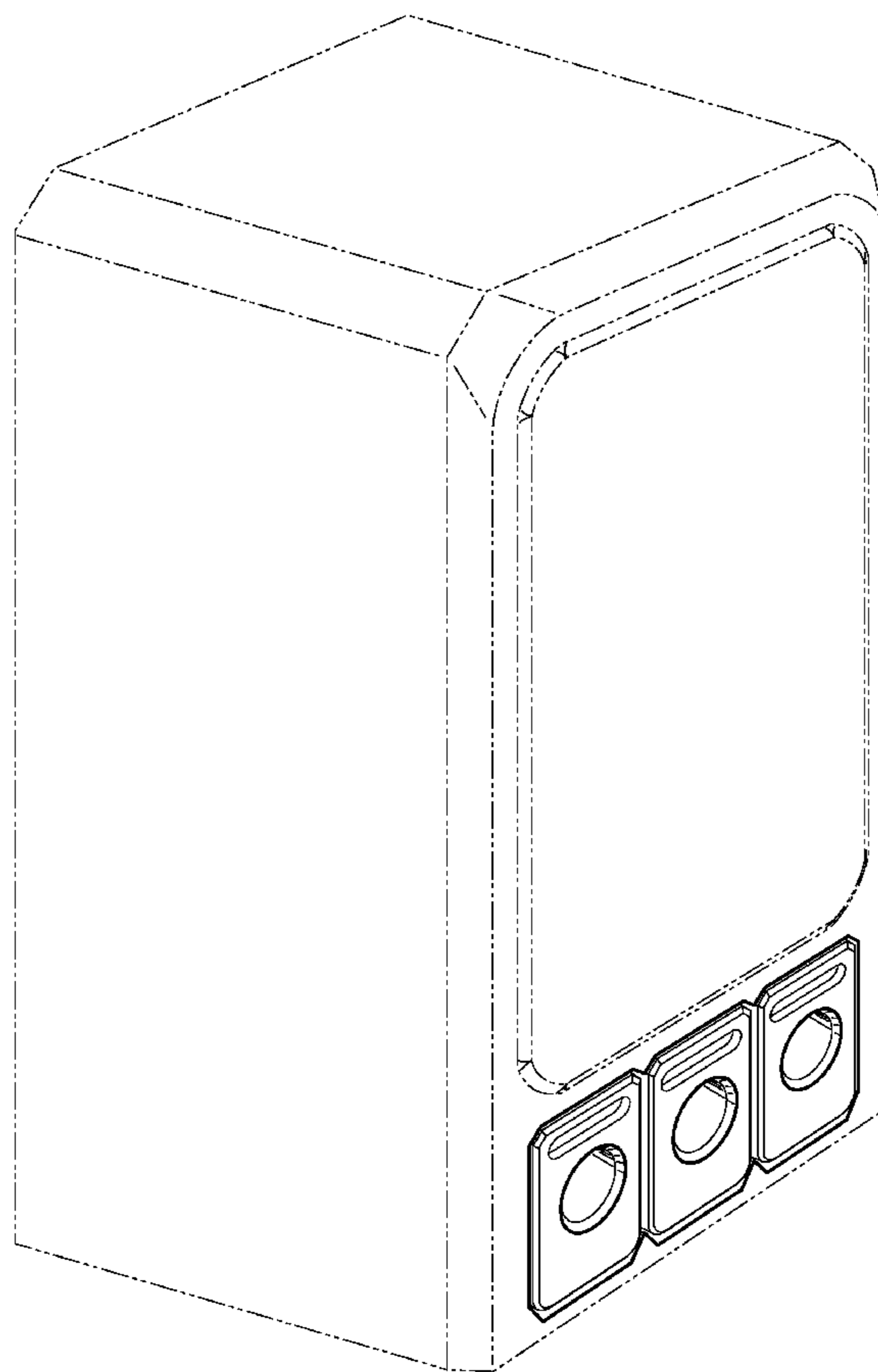
FIG. 4 is a front view thereof;

FIG. 5 is a rear view thereof;

FIG. 6 is a top view thereof; and,

FIG. 7 is a bottom view thereof.

1 Claim, 6 Drawing Sheets



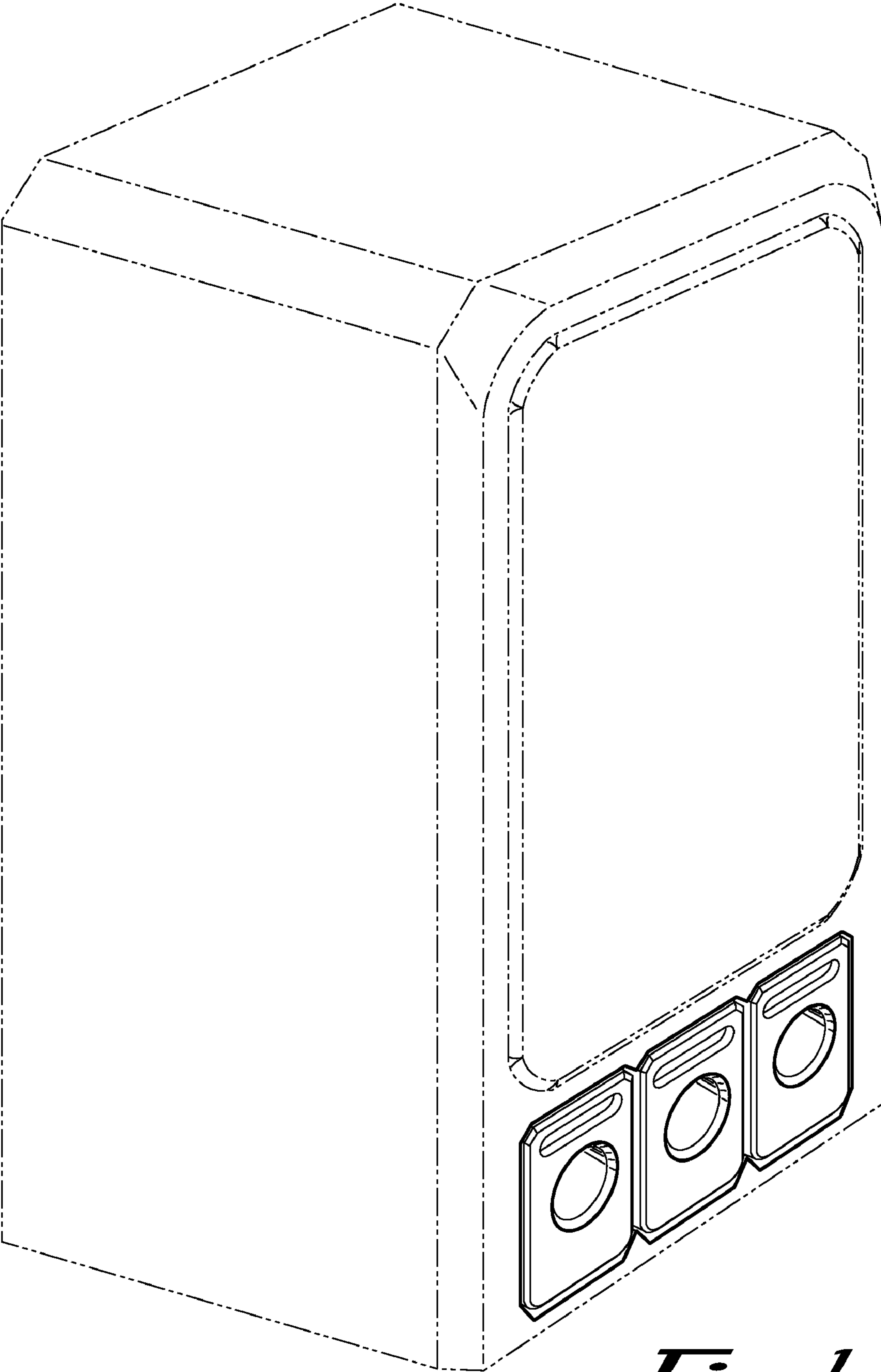


Fig. 1

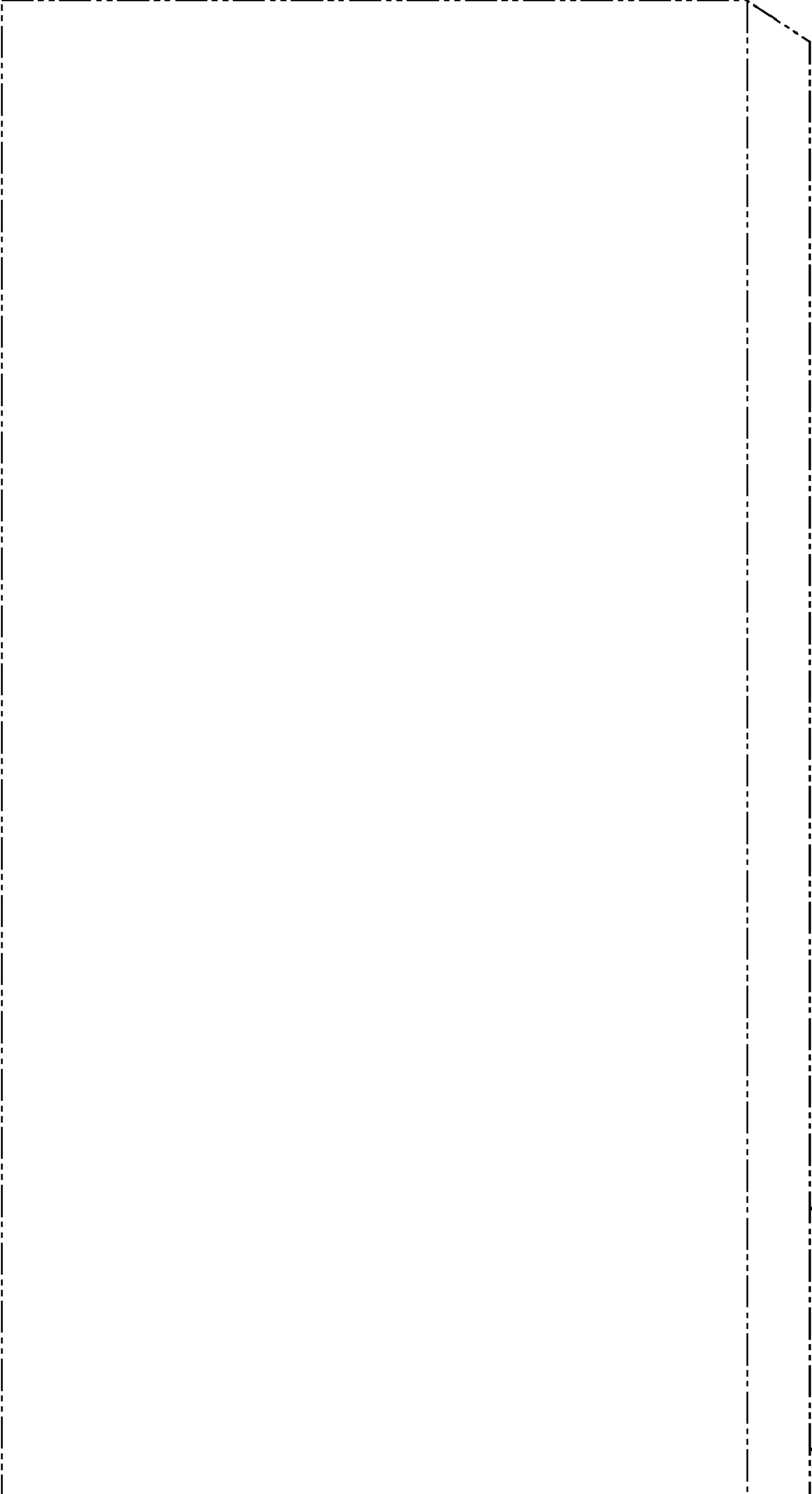


Fig. 2

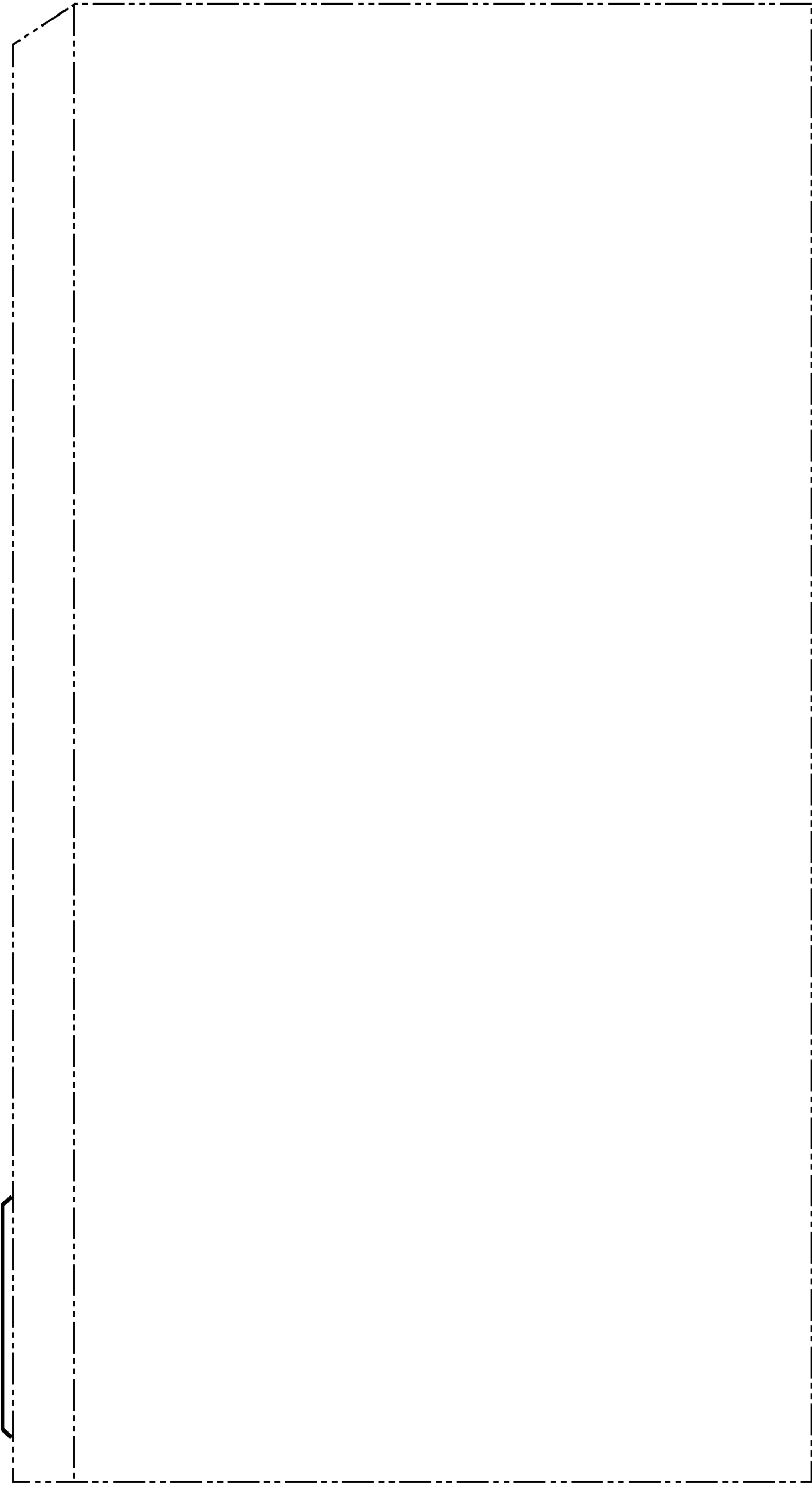


Fig. 3

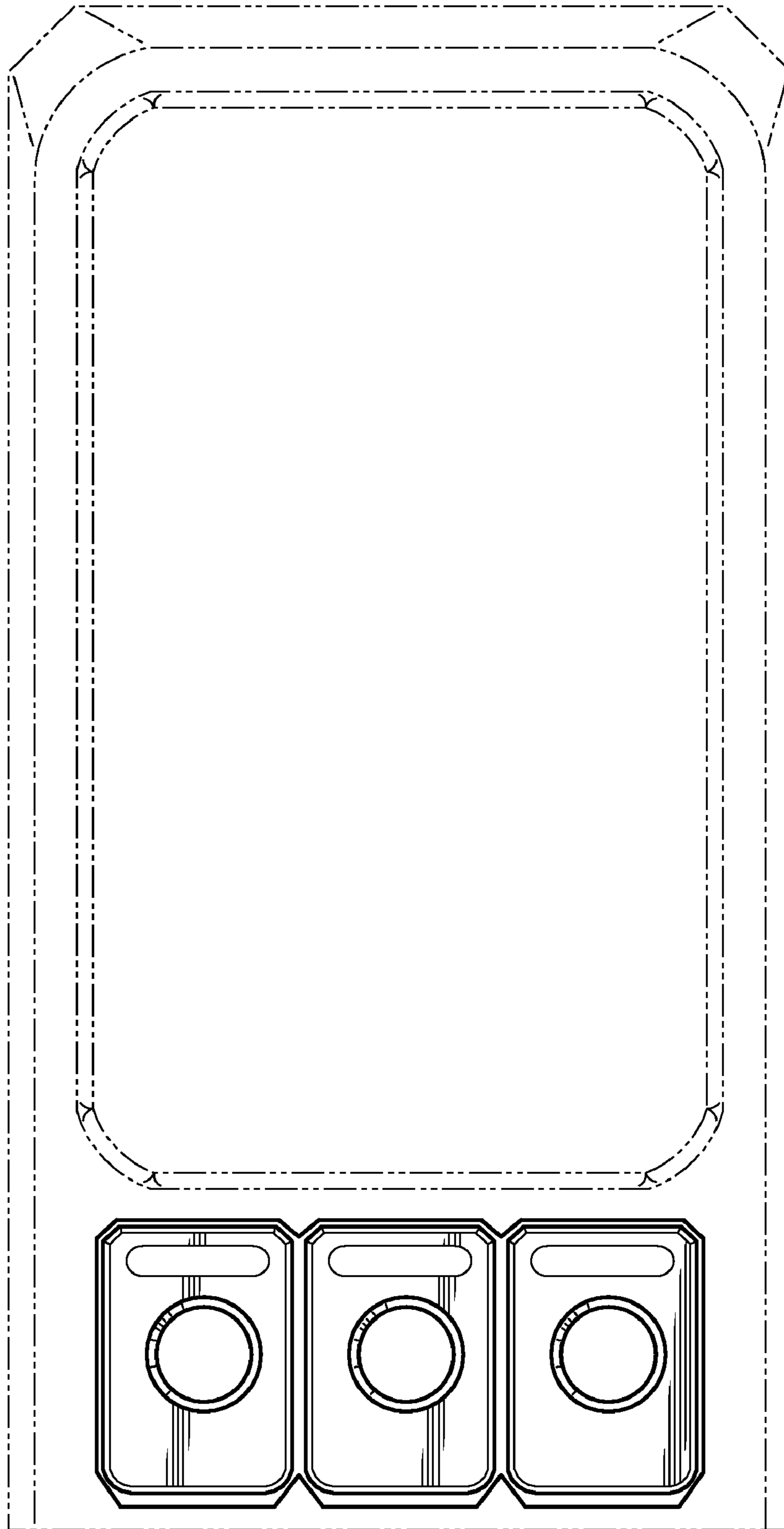


Fig. 4

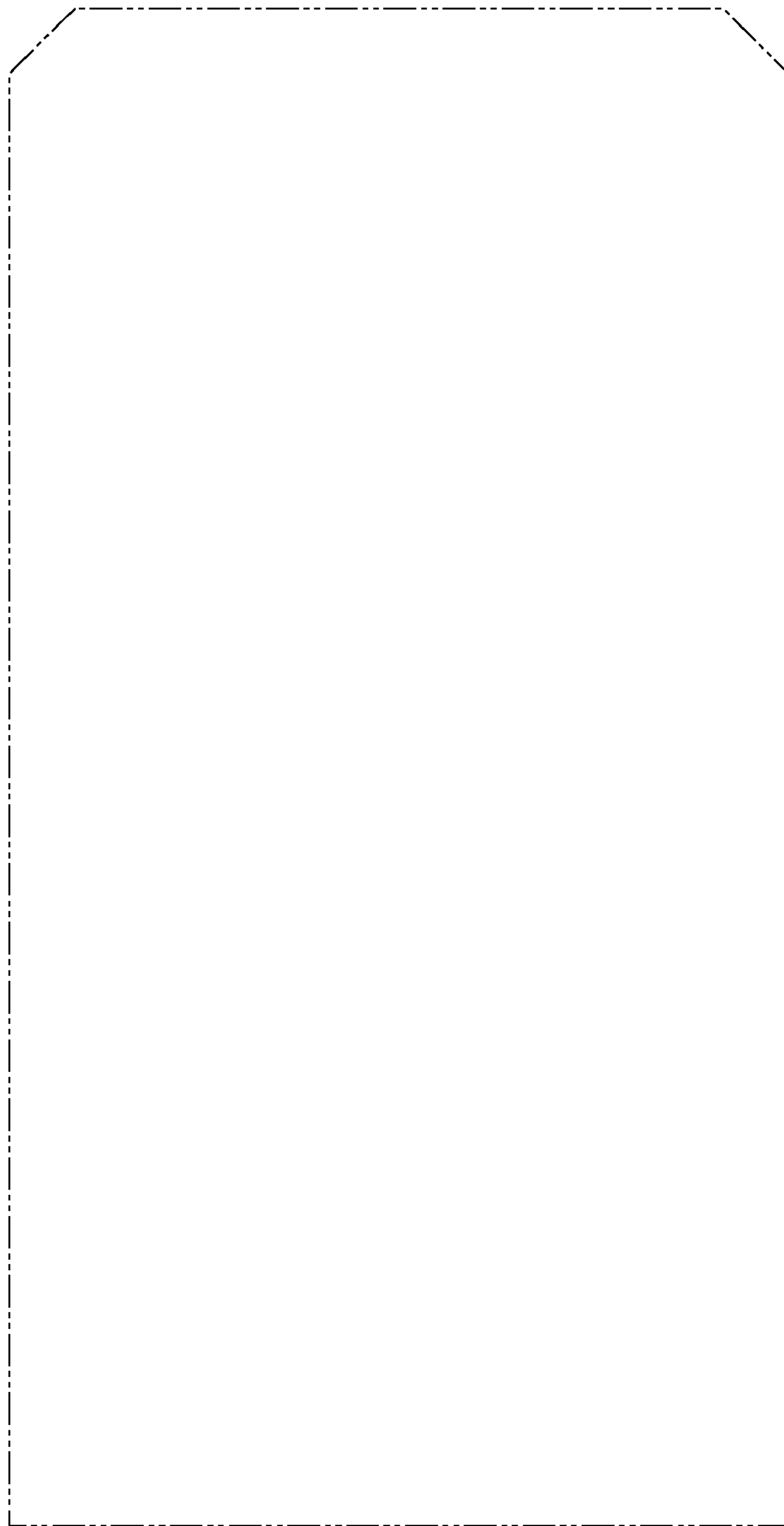


Fig. 5

Fig. 6

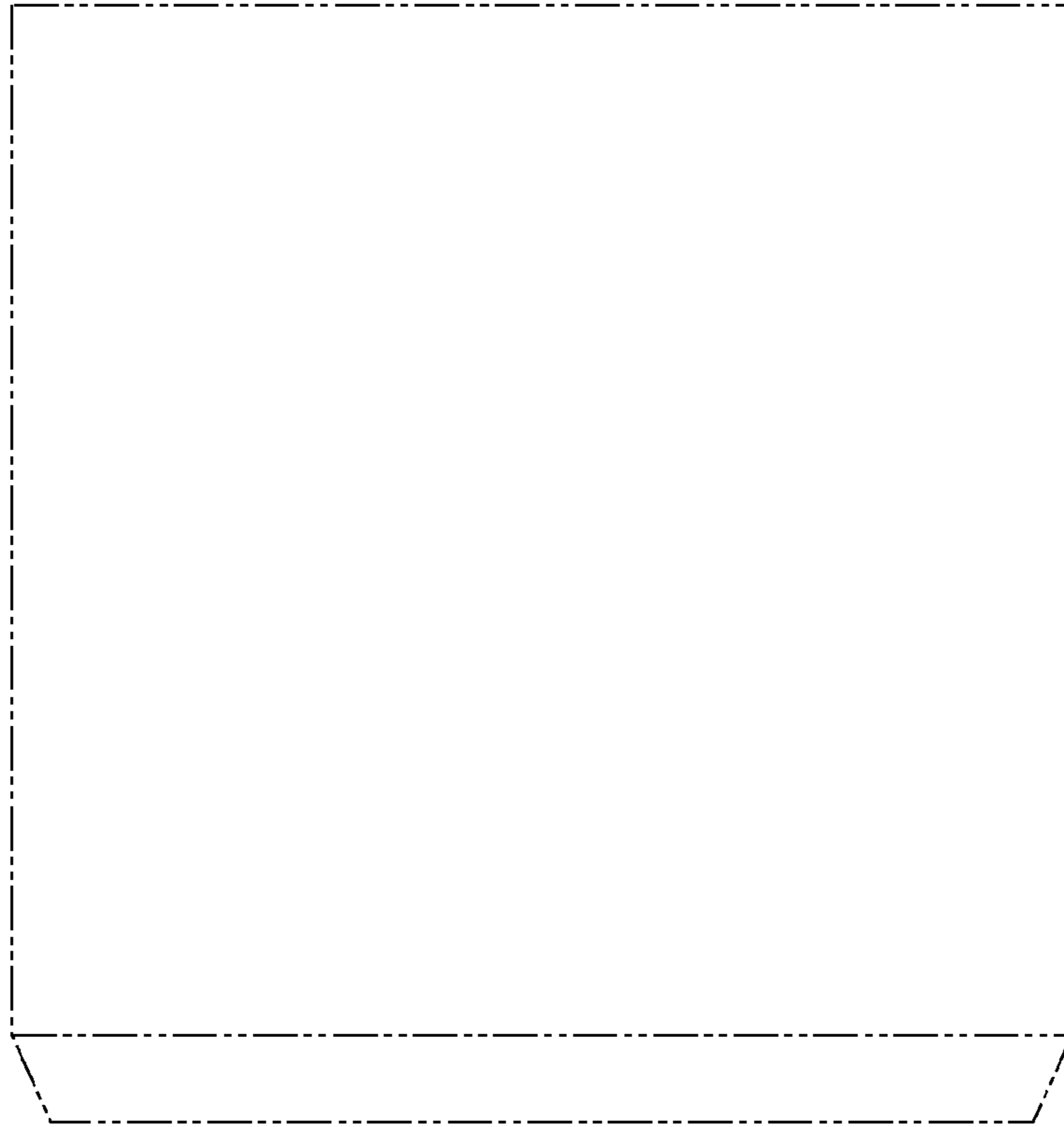


Fig. 7

