



US00D591315S

(12) **United States Design Patent**  
**Baacke et al.**

(10) **Patent No.:** **US D591,315 S**  
(45) **Date of Patent:** **\*\* Apr. 28, 2009**

(54) **REFRIGERATOR DOOR TRAY**

(75) Inventors: **Sven Baacke**, Munich (DE); **Christoph Becke**, Stephanskirchen (DE); **Matthew Ricket**, New Bern, NC (US); **Hermann-Reinhard Segers**, Munich (DE); **Roland Vetter**, Giengen (DE)

(73) Assignee: **BSH Bosch und Siemens Hausgeraete GmbH**, Munich (DE)

(\*\*) Term: **14 Years**

(21) Appl. No.: **29/259,947**

(22) Filed: **May 16, 2006**

(51) **LOC (9) Cl.** ..... **15-07**

(52) **U.S. Cl.** ..... **D15/89**

(58) **Field of Classification Search** ..... D15/79,  
D15/85, 86, 89, 90, 91; 62/3.6, 125, 126,  
62/187; 312/116, 138.1, 236, 321.5, 330.1,  
312/401, 402, 404, 405, 405.1, 407, 408;  
211/90.01, 153, 194; 108/26, 59, 108, 147.11,  
108/147.16, 157.13; 220/DIG. 14; D6/512  
See application file for complete search history.

(56) **References Cited**

**U.S. PATENT DOCUMENTS**

D292,516 S \* 10/1987 Wolff ..... D15/89  
D344,739 S \* 3/1994 Edman et al. .... D15/89  
D352,516 S \* 11/1994 Newman et al. .... D24/218

D362,572 S \* 9/1995 Joseph, Jr. .... D6/511  
D377,028 S \* 12/1996 Monday ..... D15/89  
D490,091 S \* 5/2004 Quinlan ..... D15/89  
D511,177 S \* 11/2005 Jackovin et al. .... D15/89  
D511,179 S \* 11/2005 Tunzi ..... D15/89  
D522,542 S \* 6/2006 Czach et al. .... D15/89

\* cited by examiner

*Primary Examiner*—Stella M Reid

*Assistant Examiner*—Shanda C Hill

(74) *Attorney, Agent, or Firm*—Russell W. Warnock; James E. Howard

(57) **CLAIM**

The ornamental design for a refrigerator door tray, as shown and described.

**DESCRIPTION**

FIG. 1 is top, front perspective view of a refrigerator drawer tray showing our new design;

FIG. 2 is a front elevational view thereof;

FIG. 3 is a top plan view thereof;

FIG. 4 is a right elevational view thereof;

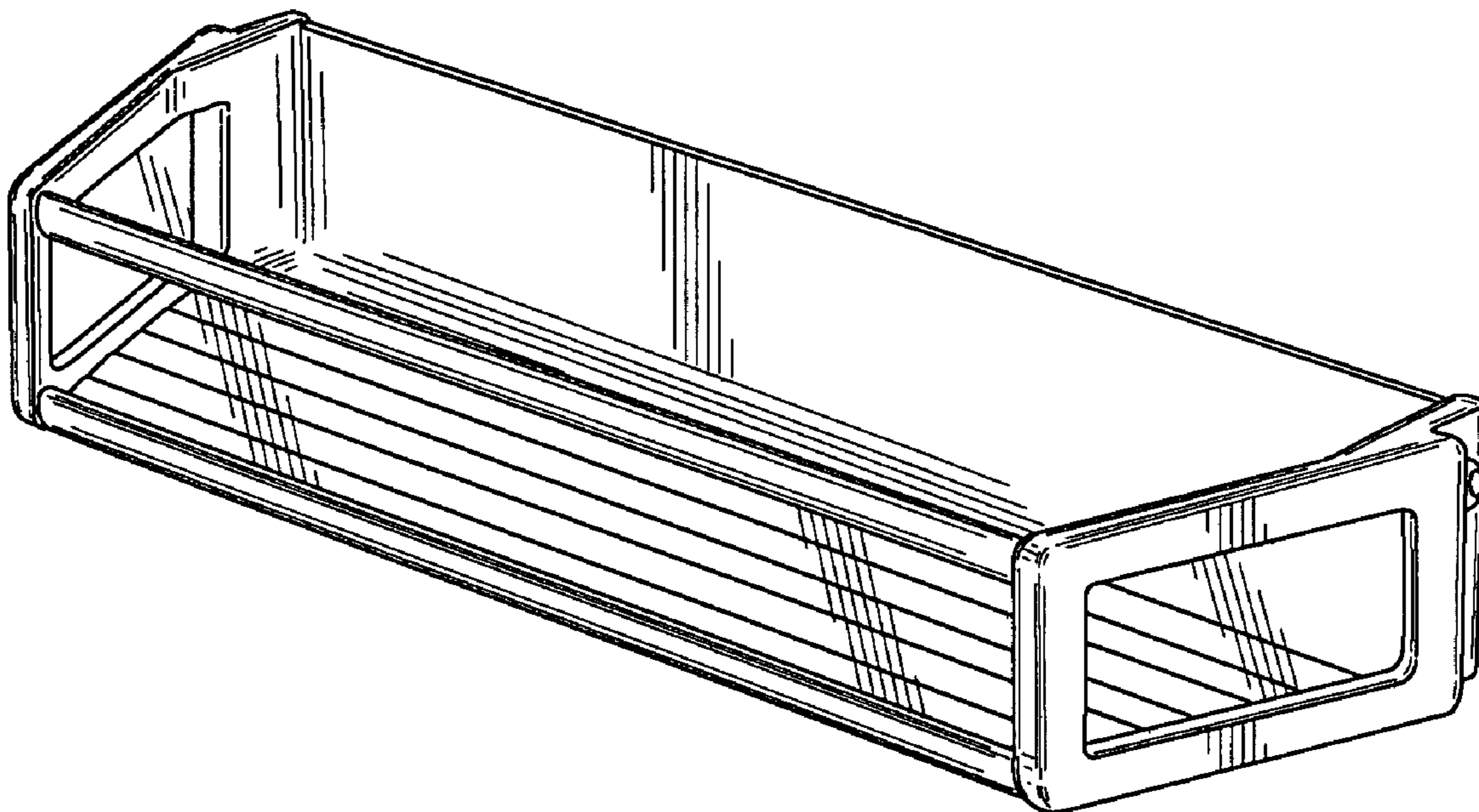
FIG. 5 is a left elevational view thereof;

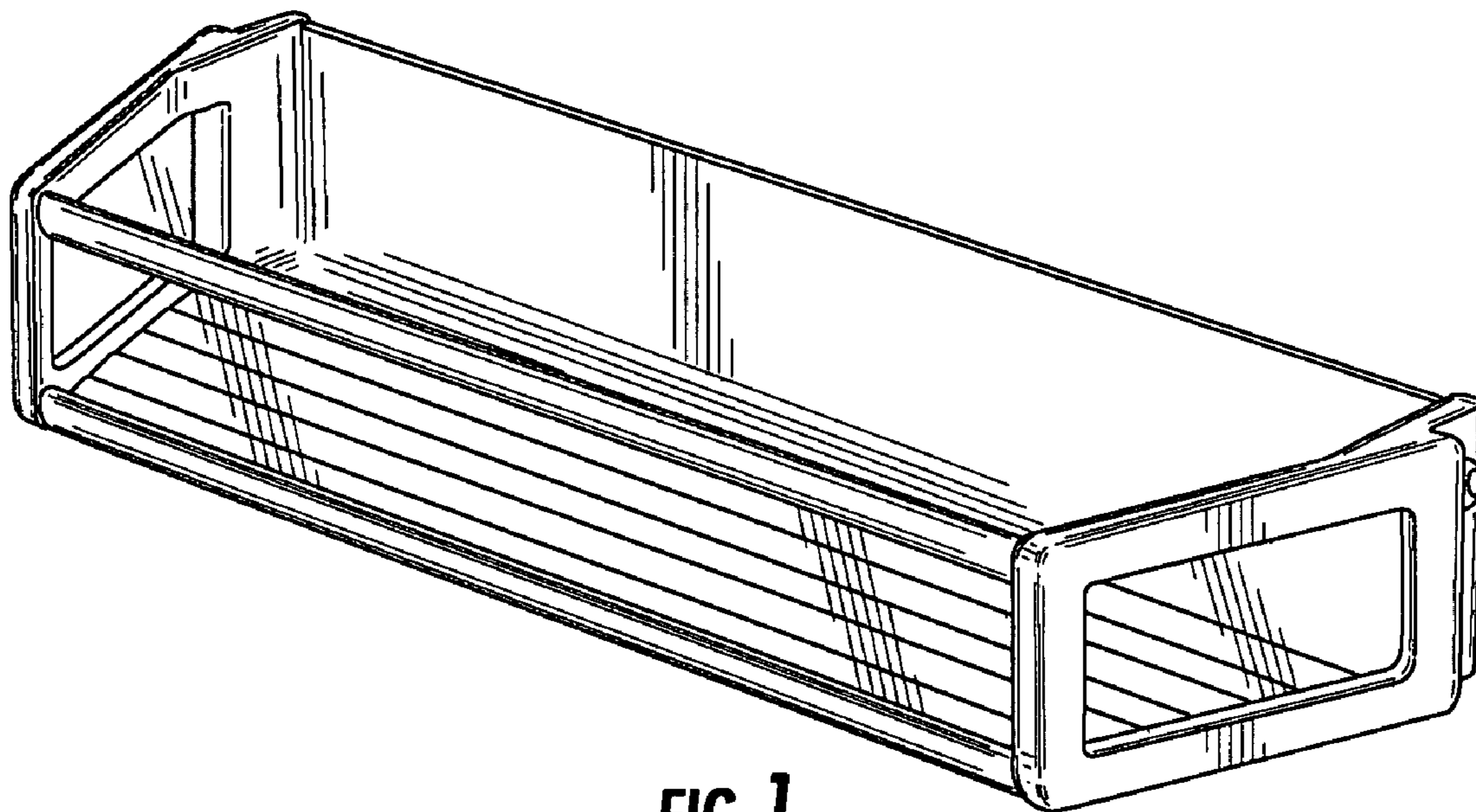
FIG. 6 is a bottom plan view thereof;

FIG. 7 is a rear elevational view thereof; and,

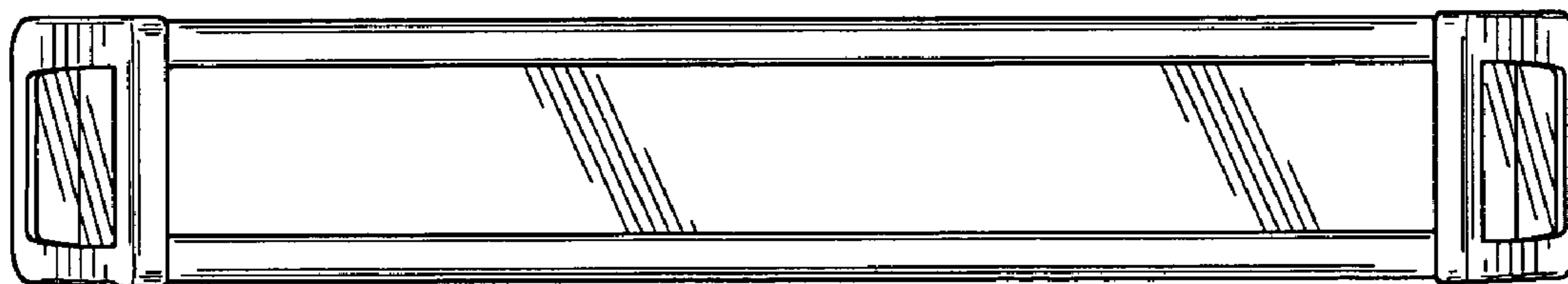
FIG. 8 is a bottom, rear perspective view thereof.

**1 Claim, 4 Drawing Sheets**

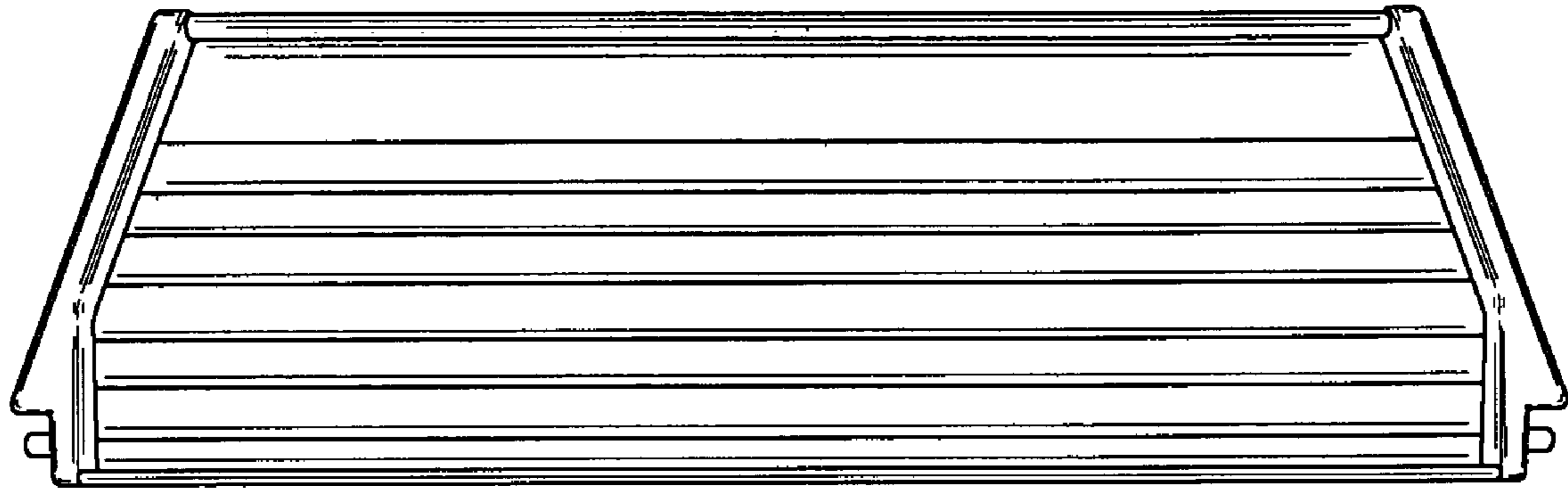




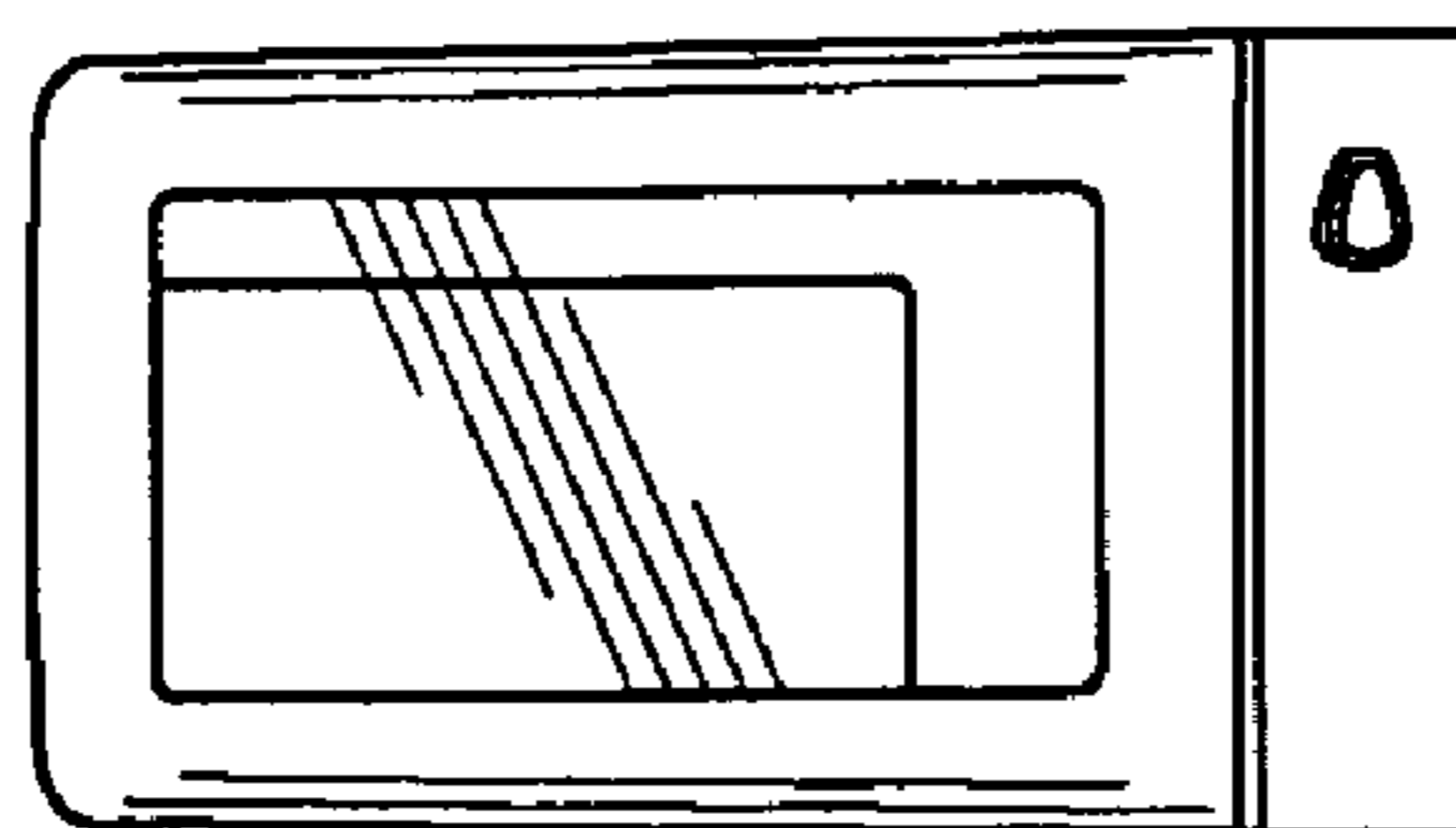
**FIG. 1**



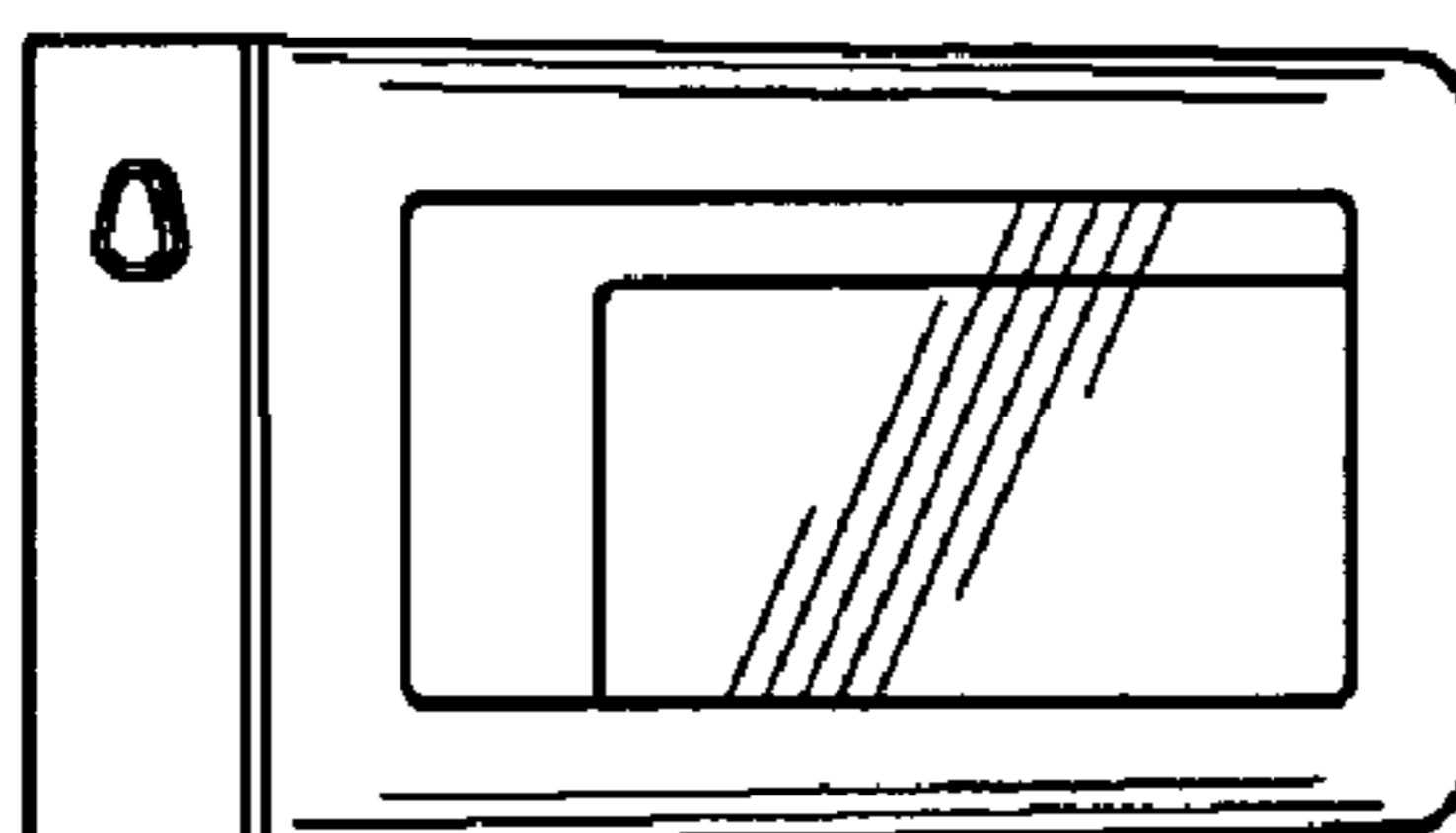
**FIG. 2**



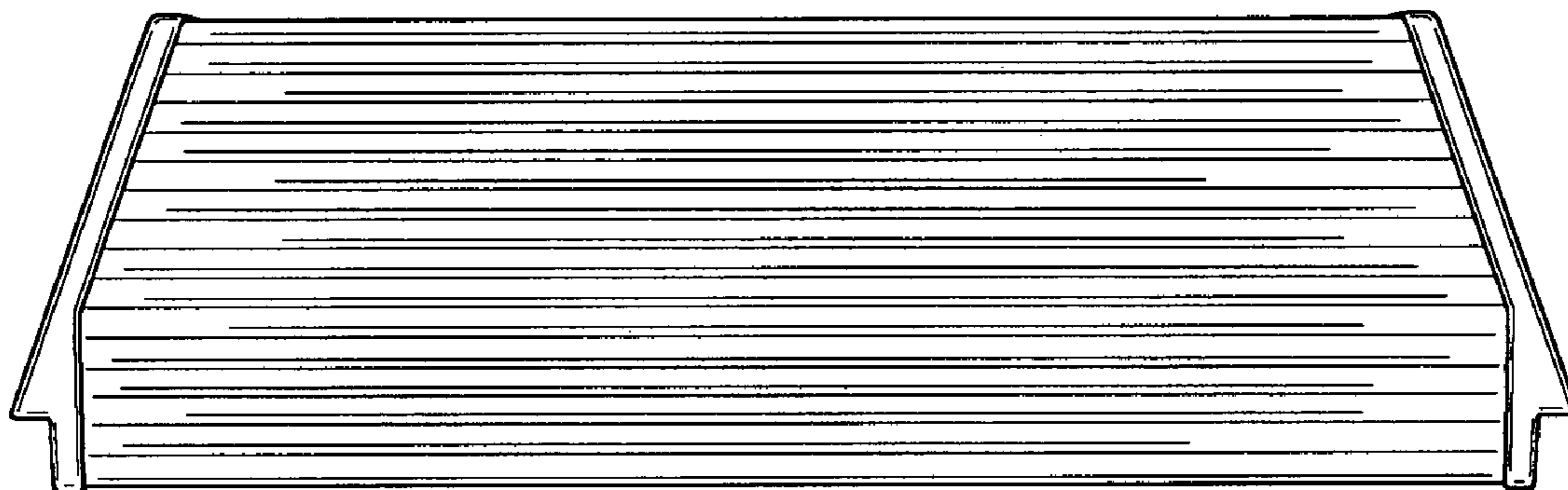
**FIG. 3**



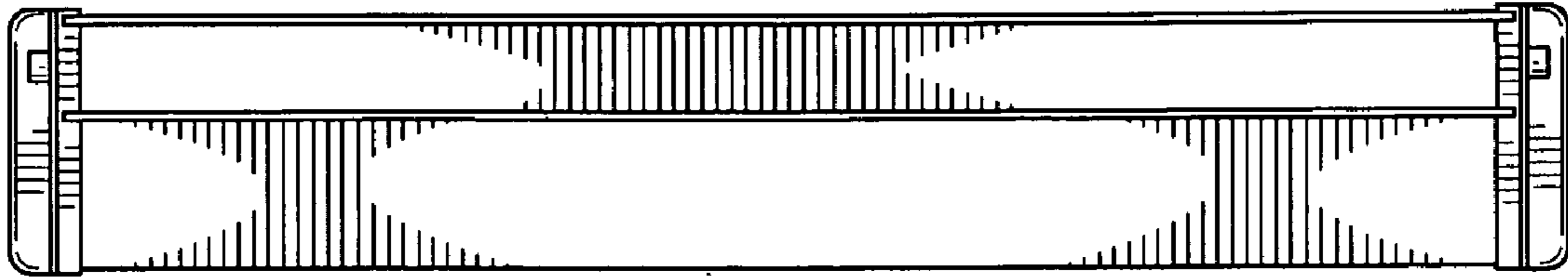
**FIG. 4**



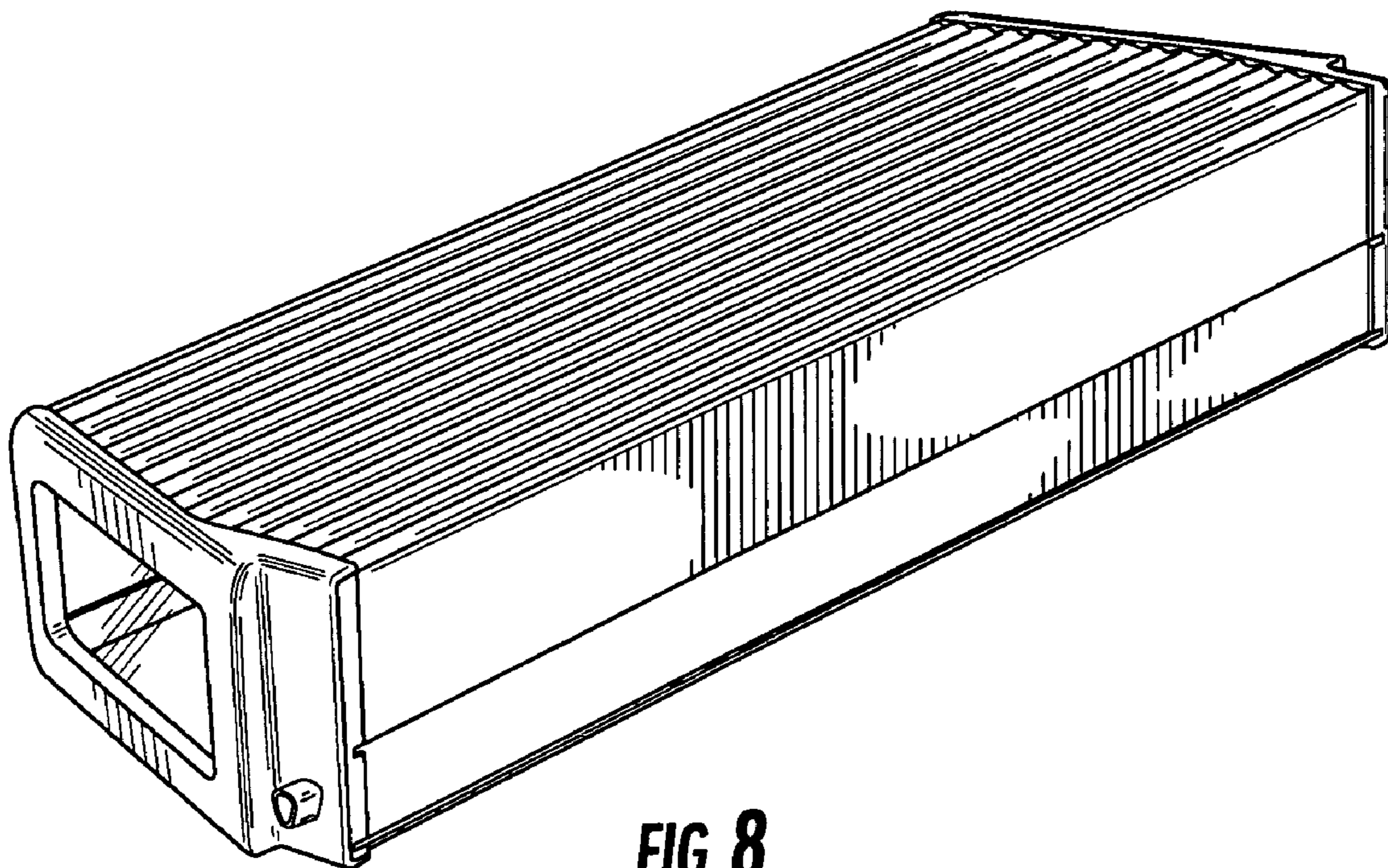
**FIG. 5**



**FIG. 6**



**FIG. 7**



**FIG. 8**