

US00D591314S

(12) **United States Design Patent**
Baacke et al.

(10) **Patent No.:** **US D591,314 S**
(45) **Date of Patent:** **** Apr. 28, 2009**

(54) **REFRIGERATOR DRAWER**

(75) Inventors: **Sven Baacke**, Munich (DE); **Christoph Becke**, Stephanskirchen (DE); **Matthew Ricket**, New Bern, NC (US); **Hermann-Reinhard Segers**, Munich (DE); **Roland Vetter**, Giengen (DE)

(73) Assignee: **BSH Bosch und Siemens Haugeraete GmbH**, Munich (DE)

(**) Term: **14 Years**

(21) Appl. No.: **29/259,946**

(22) Filed: **May 16, 2006**

(51) **LOC (9) Cl.** **15-07**

(52) **U.S. Cl.** **D15/89**

(58) **Field of Classification Search** D15/79,
D15/85, 86, 89, 90, 91; 62/3.6, 125, 126,
62/187; 312/116, 138.1, 236, 321.5, 330.1,
312/401, 402, 404, 405, 405.1, 407, 408;
211/90.01, 153, 194; 108/26, 59, 108, 147.11,
108/147.16, 157.13; 220/DIG. 14; D6/512
See application file for complete search history.

(56) **References Cited**

U.S. PATENT DOCUMENTS

D292,516 S * 10/1987 Wolff D15/89
D344,739 S * 3/1994 Edman et al. D15/89
D352,516 S * 11/1994 Newman et al. D24/218

D362,572 S * 9/1995 Joseph, Jr. D6/511
D377,028 S * 12/1996 Monday D15/90
D490,091 S * 5/2004 Quinlan D15/89
D511,177 S * 11/2005 Jackovin et al. D15/89
D511,179 S * 11/2005 Tunzi D15/89
D522,542 S * 6/2006 Czach et al. D15/89

* cited by examiner

Primary Examiner—Stella M Reid

Assistant Examiner—Shanda C Hill

(74) *Attorney, Agent, or Firm*—Russell W. Warnock; James E. Howard

(57) **CLAIM**

The ornamental design for a refrigerator drawer, as shown and described.

DESCRIPTION

FIG. 1 is top, front perspective view of a refrigerator drawer showing our new design;

FIG. 2 is a front elevational view thereof;

FIG. 3 is a top plan view thereof;

FIG. 4 is a right elevational view thereof;

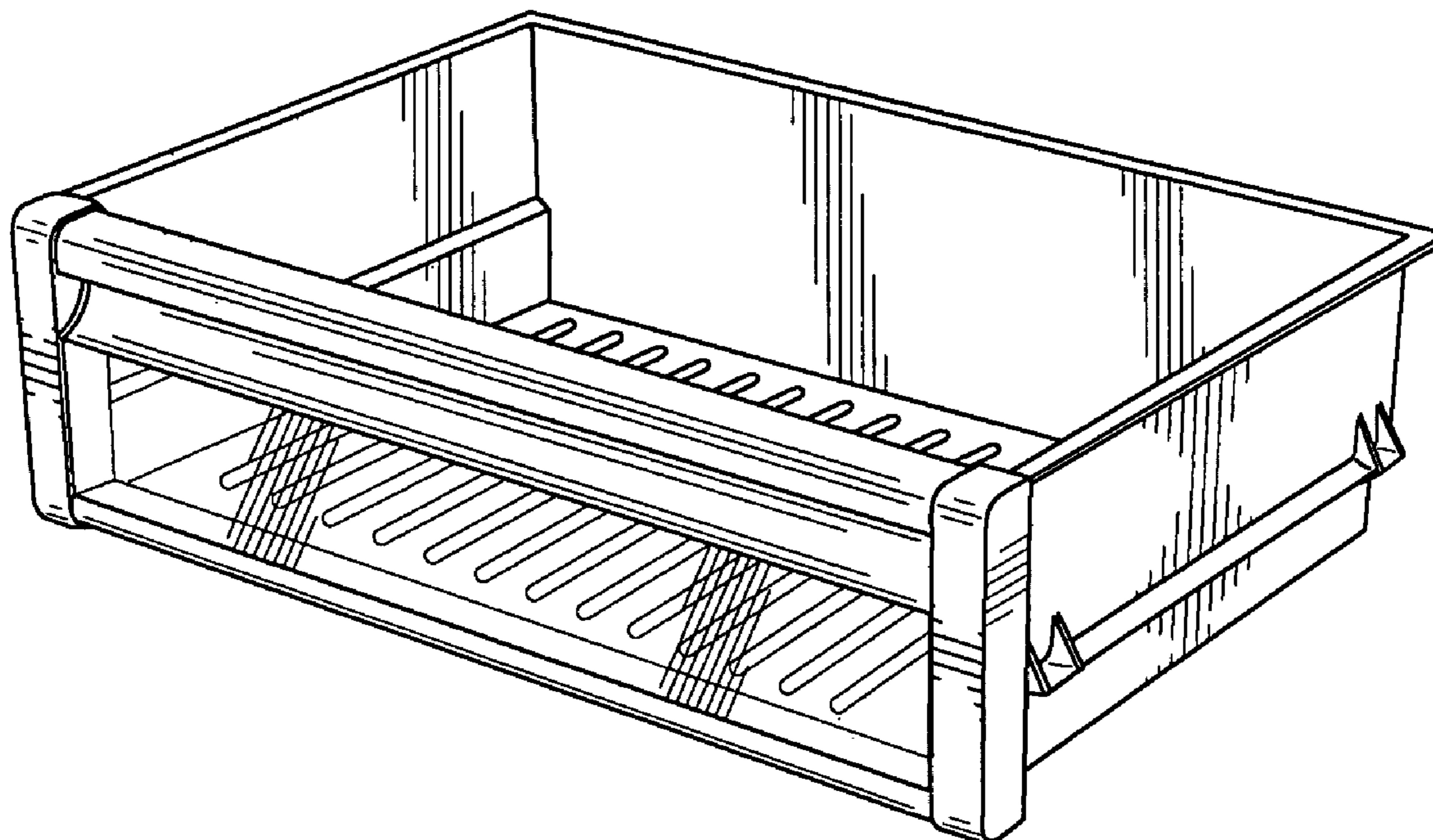
FIG. 5 is a left elevational view thereof;

FIG. 6 is a bottom plan view thereof;

FIG. 7 is a rear elevational view thereof; and,

FIG. 8 is a bottom, rear perspective view thereof.

1 Claim, 4 Drawing Sheets



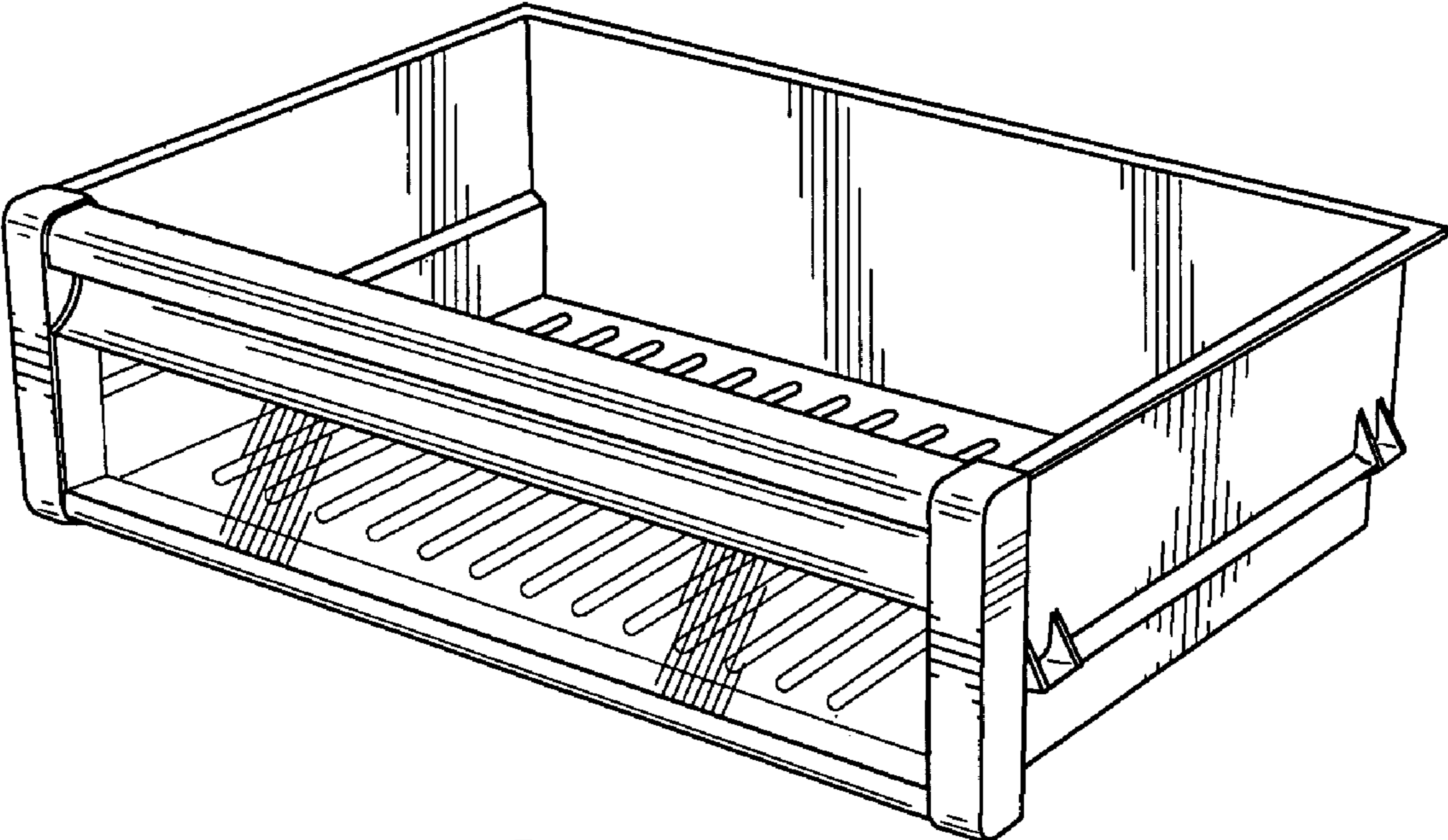


FIG. 1

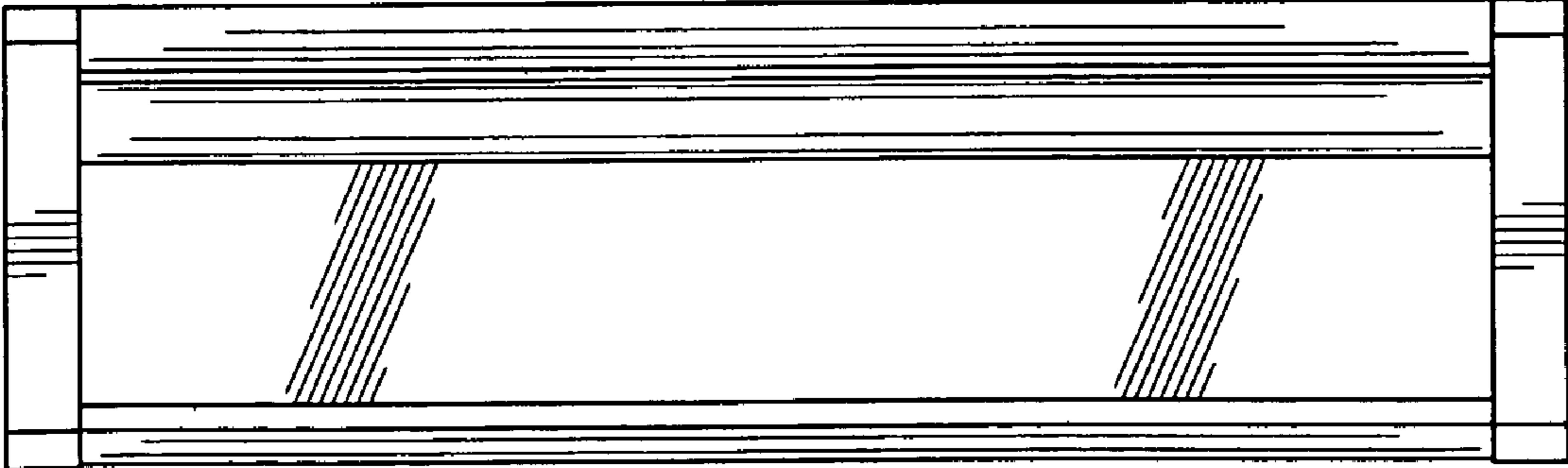


FIG. 2

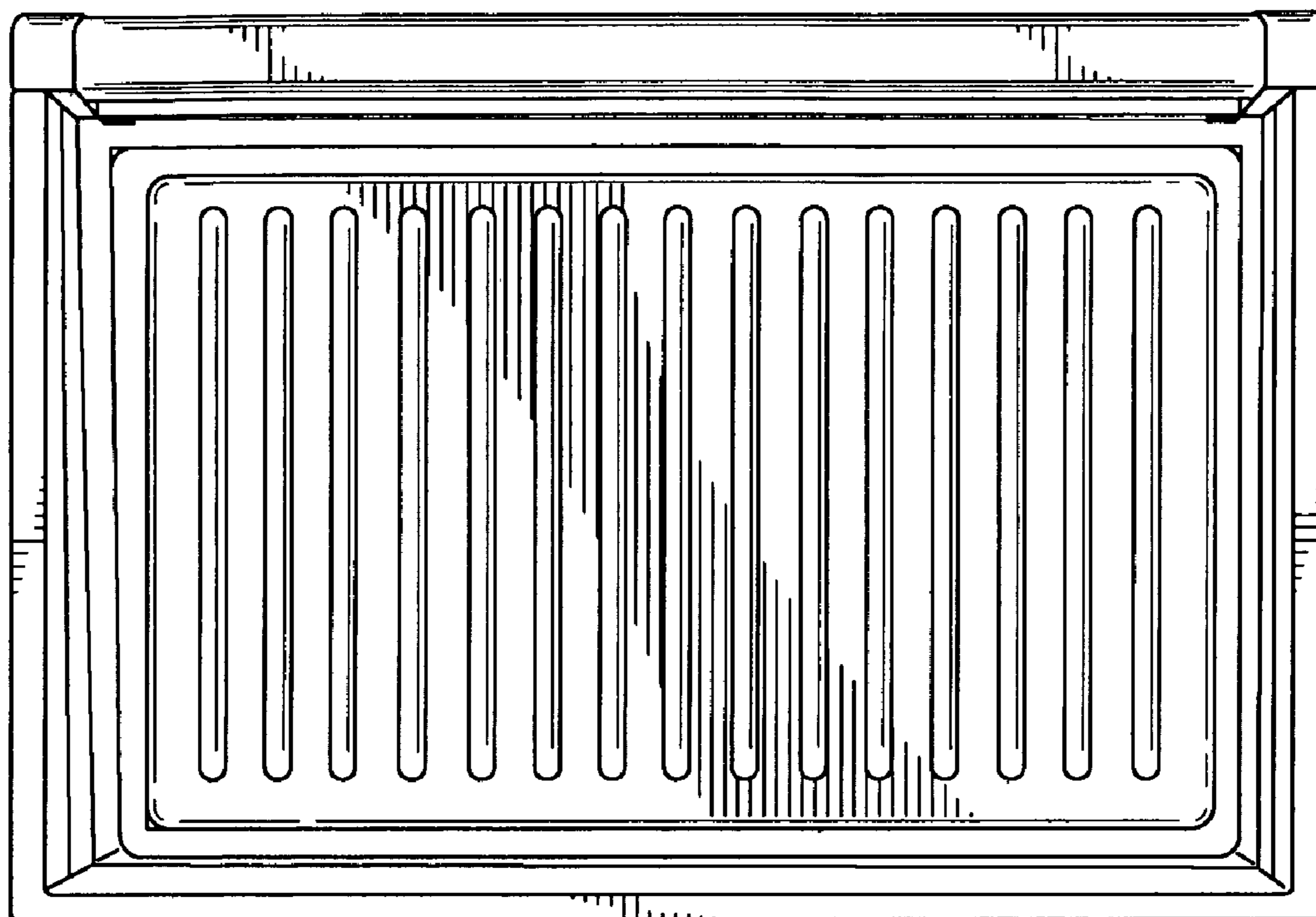


FIG. 3

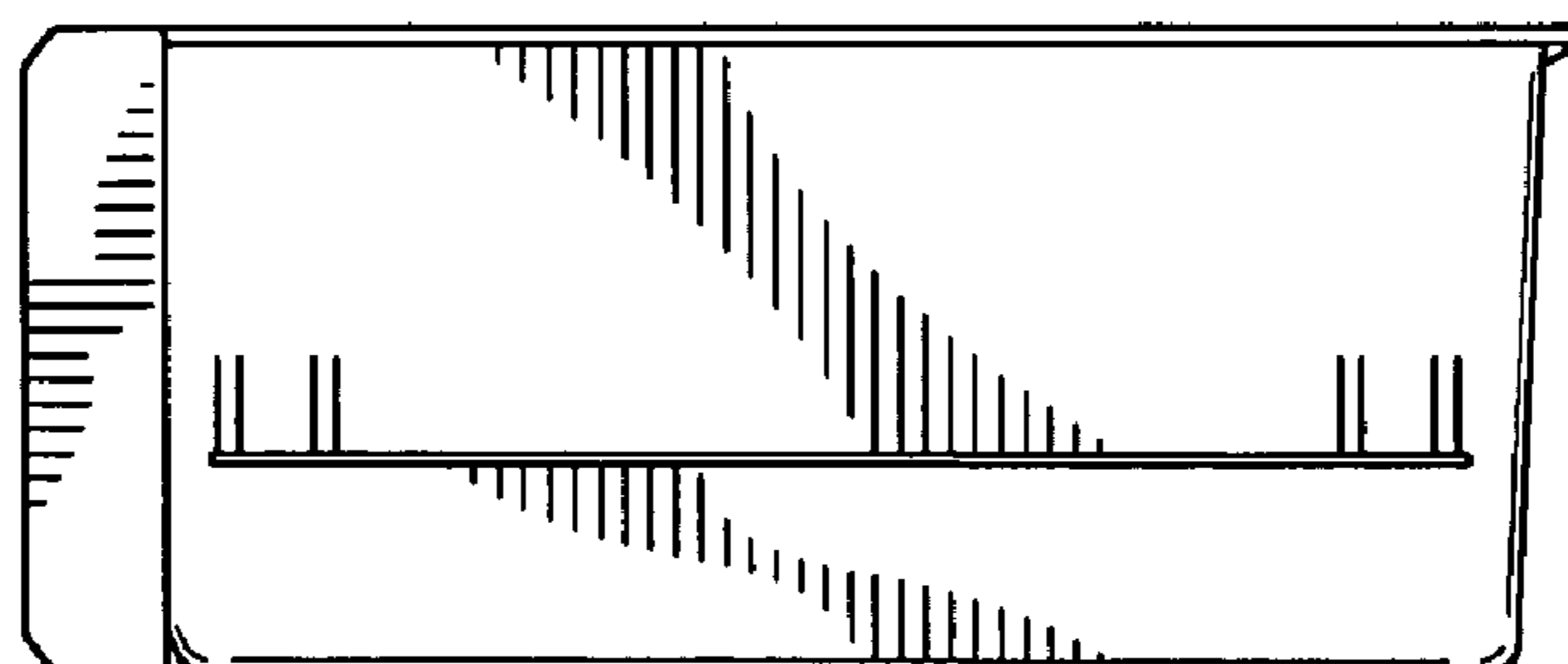


FIG. 4

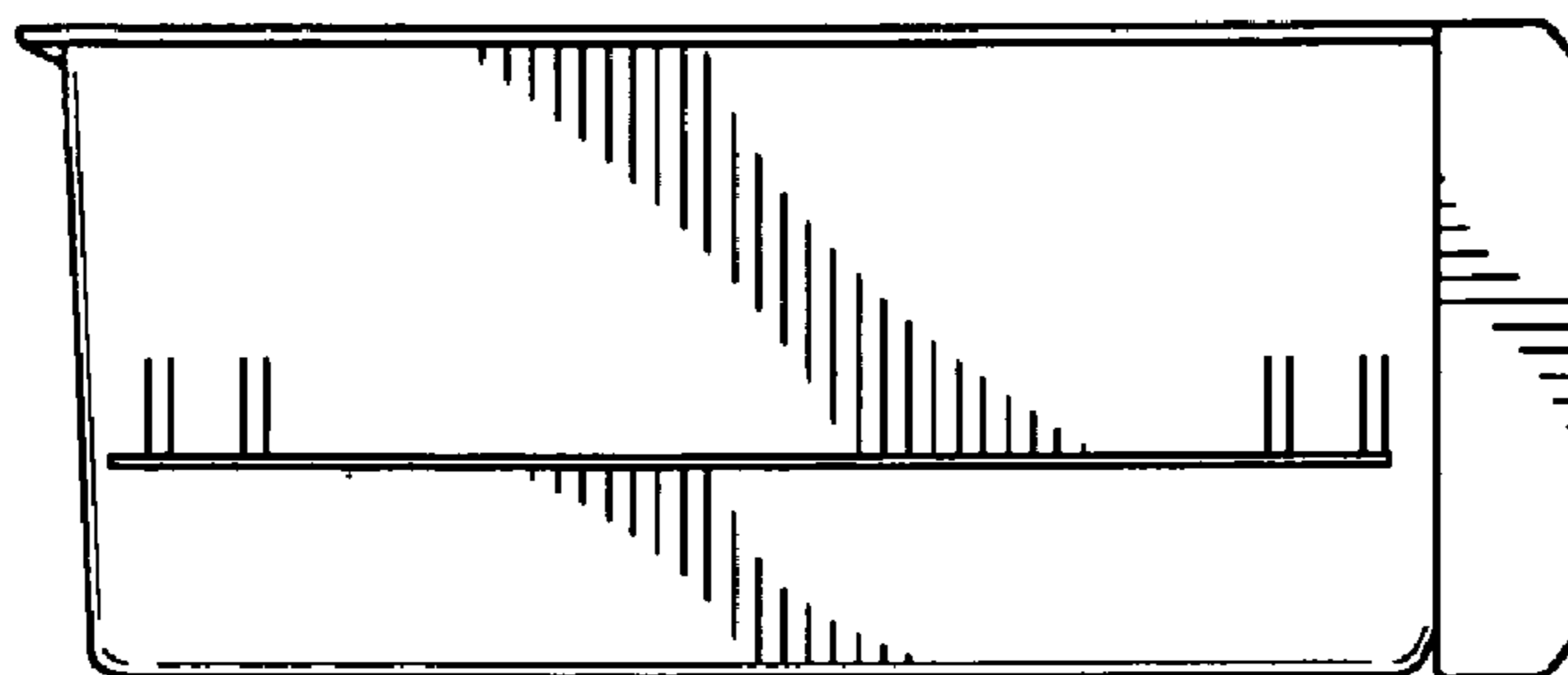


FIG. 5

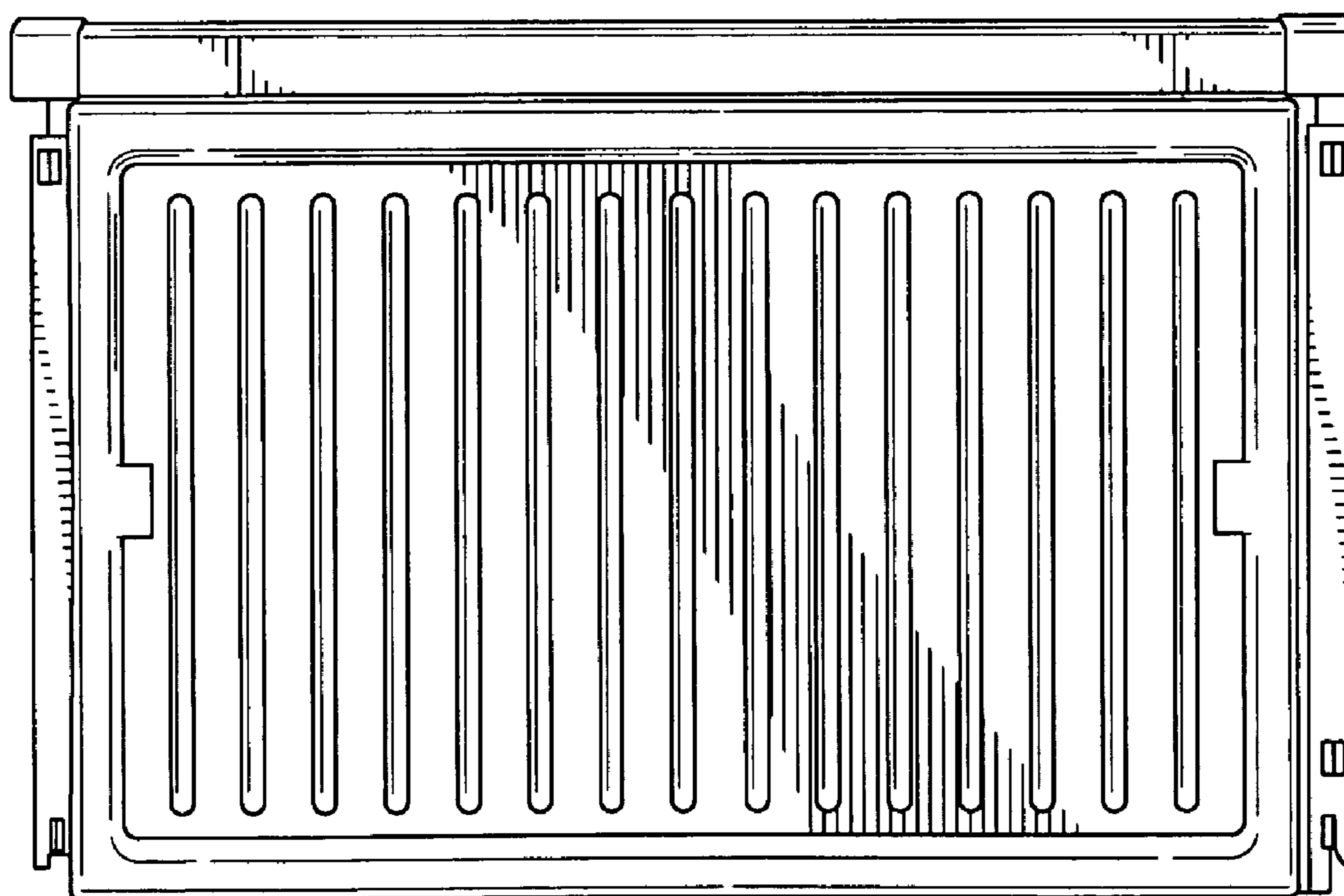


FIG. 6

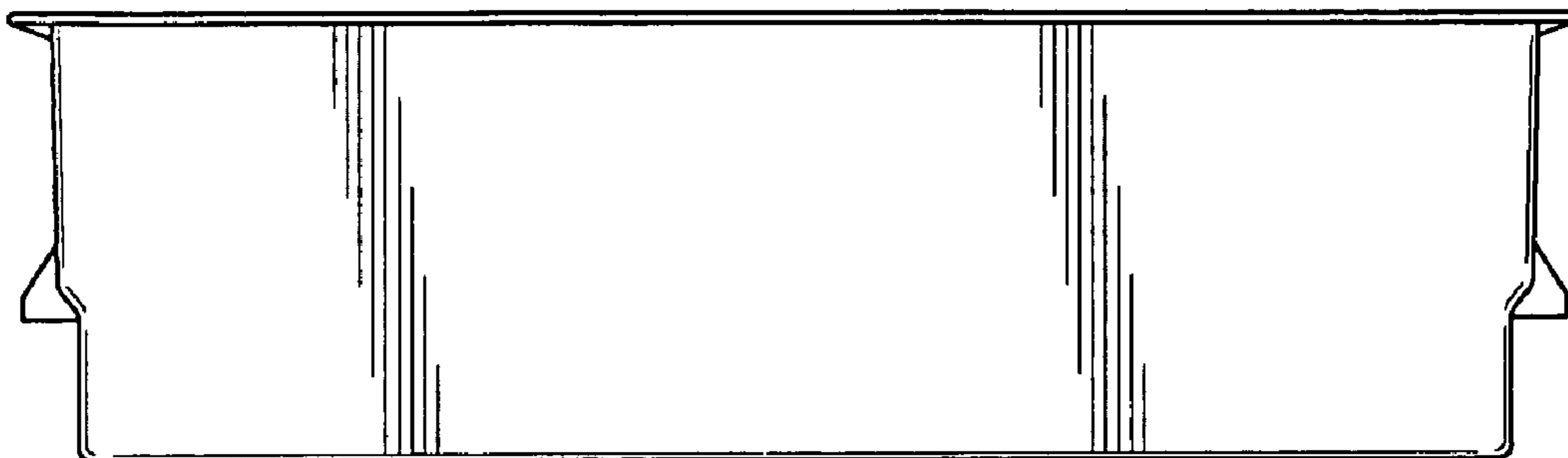


FIG. 7

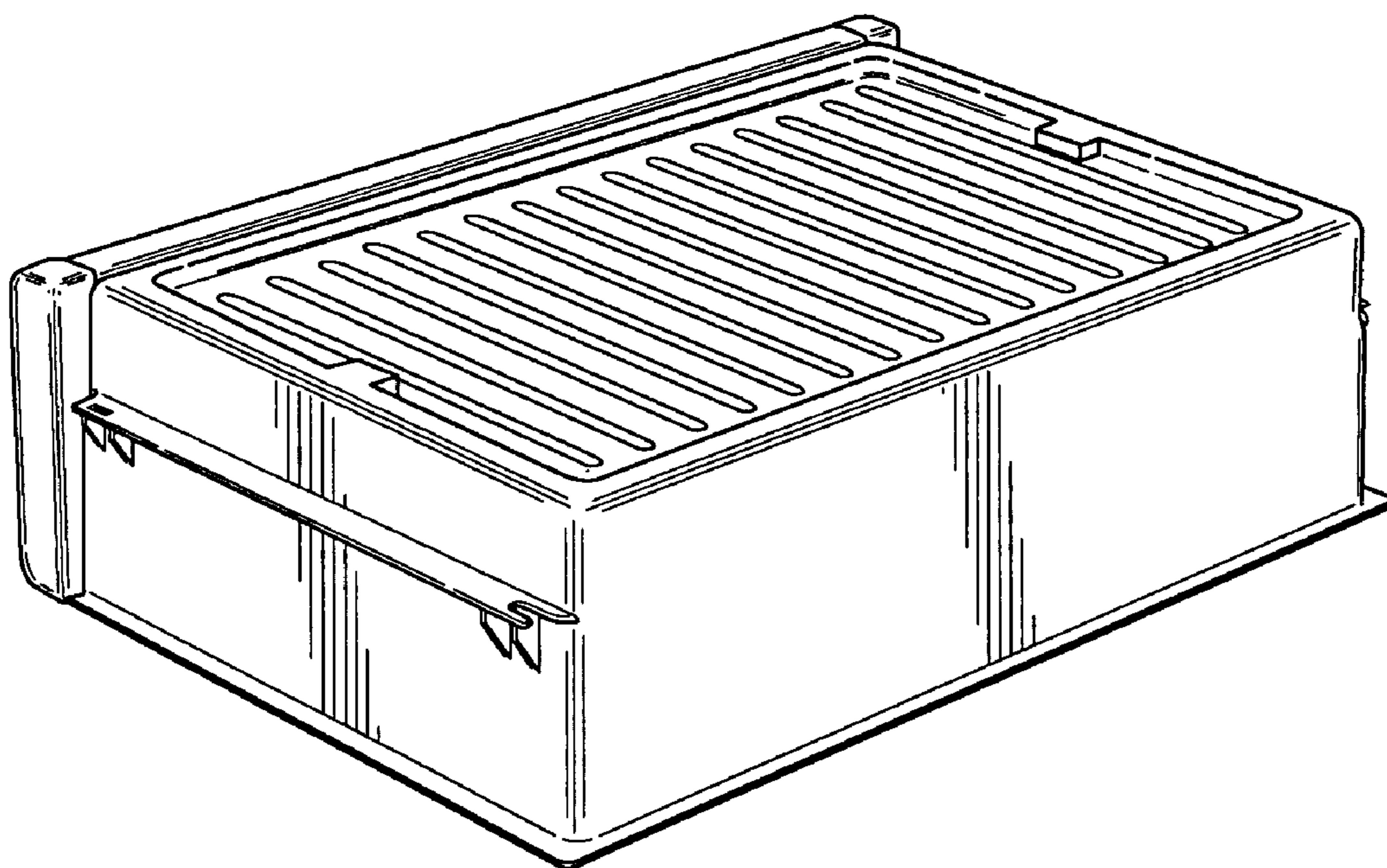


FIG. 8