

US00D591312S

(12) **United States Design Patent**
Mori et al.

(10) **Patent No.:** **US D591,312 S**

(45) **Date of Patent:** **** Apr. 28, 2009**

(54) **SEWING MACHINE**

(75) Inventors: **Sanae Mori**, Tokyo (JP); **Shigemi Yamamoto**, Tokyo (JP); **Genta Shimizu**, Tokyo (JP); **Yuko Watabe**, Tokyo (JP); **Shuichi Saito**, Tokyo (JP)

(73) Assignee: **Juki Corporation**, Tokyo (JP)

(**) Term: **14 Years**

(21) Appl. No.: **29/296,306**

(22) Filed: **Oct. 17, 2007**

(30) **Foreign Application Priority Data**

Apr. 18, 2007 (JP) 2007-010405

(51) **LOC (9) Cl.** **15-06**

(52) **U.S. Cl.** **D15/70; D15/69**

(58) **Field of Classification Search** **D15/66-78;**
D21/527; 112/2.78, 154, 475.01

See application file for complete search history.

(56) **References Cited**

U.S. PATENT DOCUMENTS

D286,047 S	10/1986	Roots et al.	
D308,855 S	6/1990	Schaum	
D327,881 S	7/1992	McFarlane	
D347,835 S	6/1994	Zarnowitz	
D347,847 S	6/1994	Eguchi	
D359,964 S	7/1995	Nakajima et al.	
D359,965 S	7/1995	Nakajima et al.	
D389,762 S	1/1998	Yorkey	
D403,333 S *	12/1998	Takada et al.	D15/70
D430,886 S *	9/2000	Yamamoto	D15/69
D440,566 S	4/2001	Chou	
D450,720 S *	11/2001	Kuroki	D15/69
D459,369 S *	6/2002	Yamamoto et al.	D15/69
D464,979 S *	10/2002	Yamamoto	D15/69
D466,137 S	11/2002	Yamamoto et al.	
D472,562 S *	4/2003	Yamamoto et al.	D15/69
D485,851 S *	1/2004	Takayasu et al.	D15/70
D491,945 S	6/2004	Sheehan et al.	

D492,703 S *	7/2004	Kuroki	D15/69
D492,704 S *	7/2004	Kuroki	D15/69
D504,692 S *	5/2005	Kuroki	D15/69
D506,212 S	6/2005	Kuroki	
D515,109 S *	2/2006	Iwai	D15/70
D515,110 S *	2/2006	Kuroki	D15/70
D529,520 S *	10/2006	Kuroki	D15/70
D532,415 S	11/2006	Chen et al.	
D546,333 S	7/2007	Emmerich et al.	
D557,291 S	12/2007	Gustafsson	
D572,263 S	7/2008	Massaro et al.	
D574,816 S	8/2008	Tang	

FOREIGN PATENT DOCUMENTS

JP	043055	11/2003
JP	043050	11/2006

* cited by examiner

Primary Examiner—Stella M Reid

Assistant Examiner—Shanda C Hill

(74) *Attorney, Agent, or Firm*—Locke Lord Bissell & Liddell

(57) **CLAIM**

The ornamental design for a sewing machine, as shown and described.

DESCRIPTION

FIG. 1 is front elevational view of a sewing machine showing our new design;

FIG. 2 is a rear elevational view thereof;

FIG. 3 is a left end view thereof;

FIG. 4 is a right end view thereof;

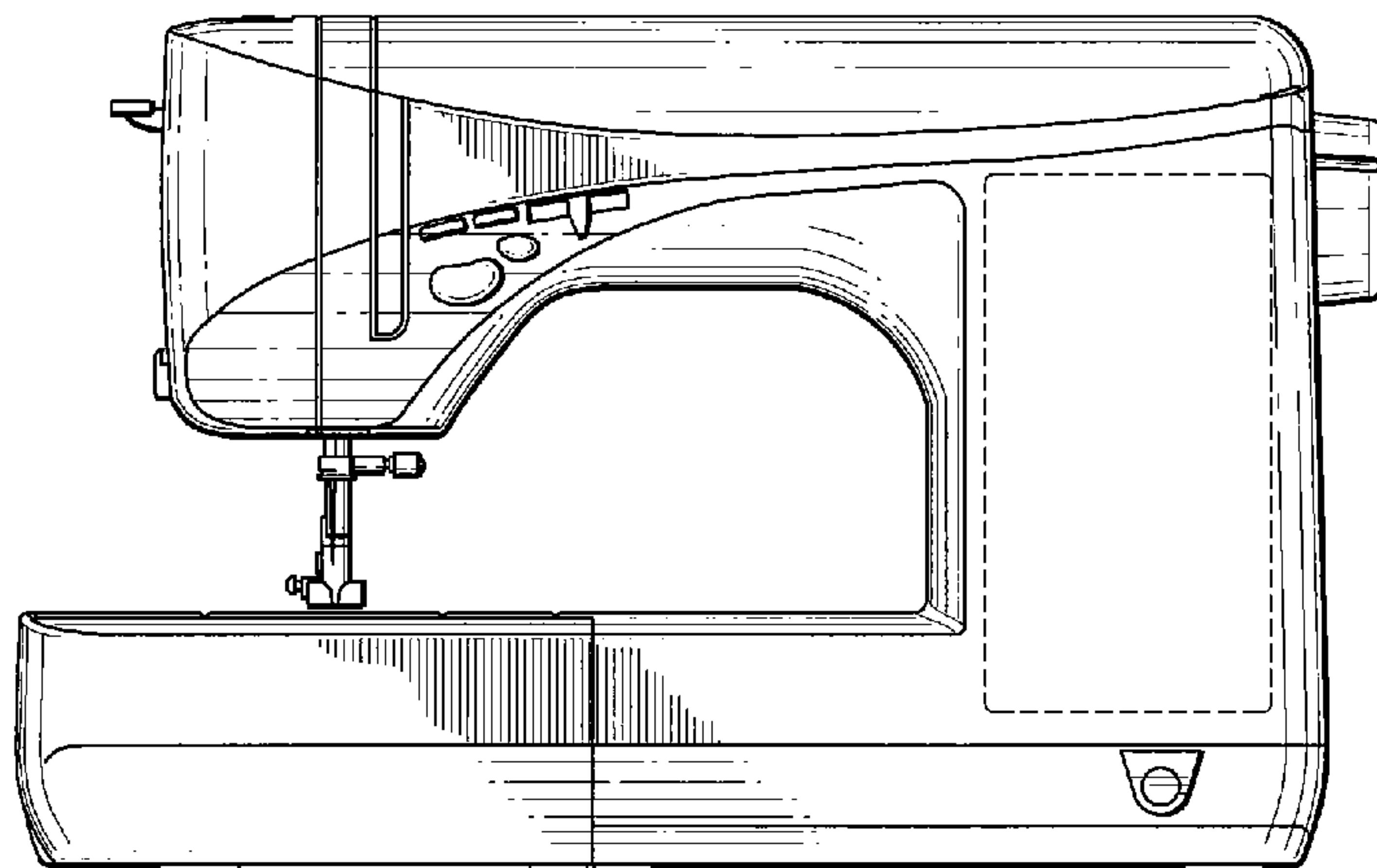
FIG. 5 is a top plan view thereof;

FIG. 6 is a bottom plan view thereof; and,

FIG. 7 is a perspective view of the front, top and left side thereof.

The elements shown in broken lines are for illustrative purposes only and form no part of the claimed design.

1 Claim, 4 Drawing Sheets



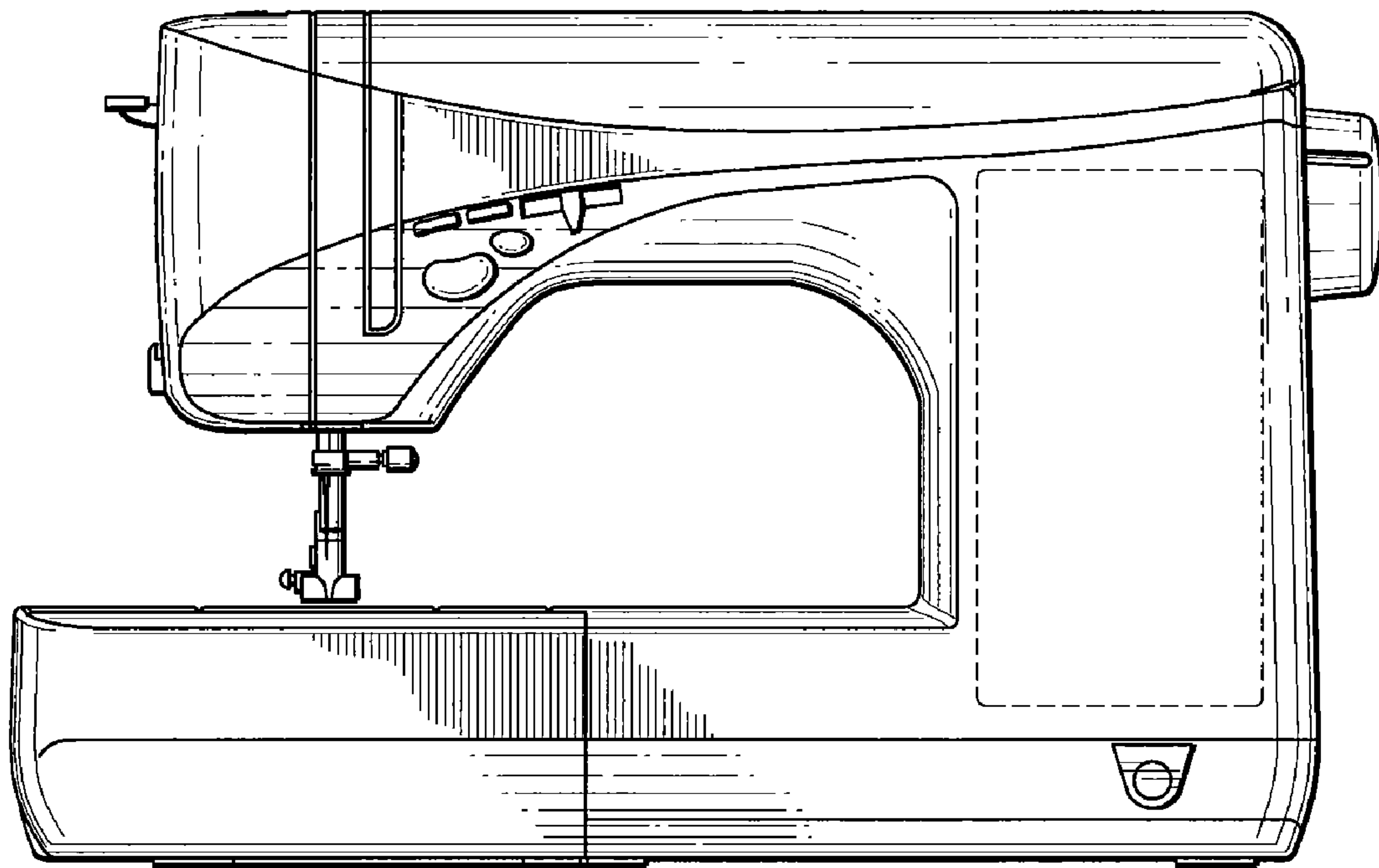


FIG. 1

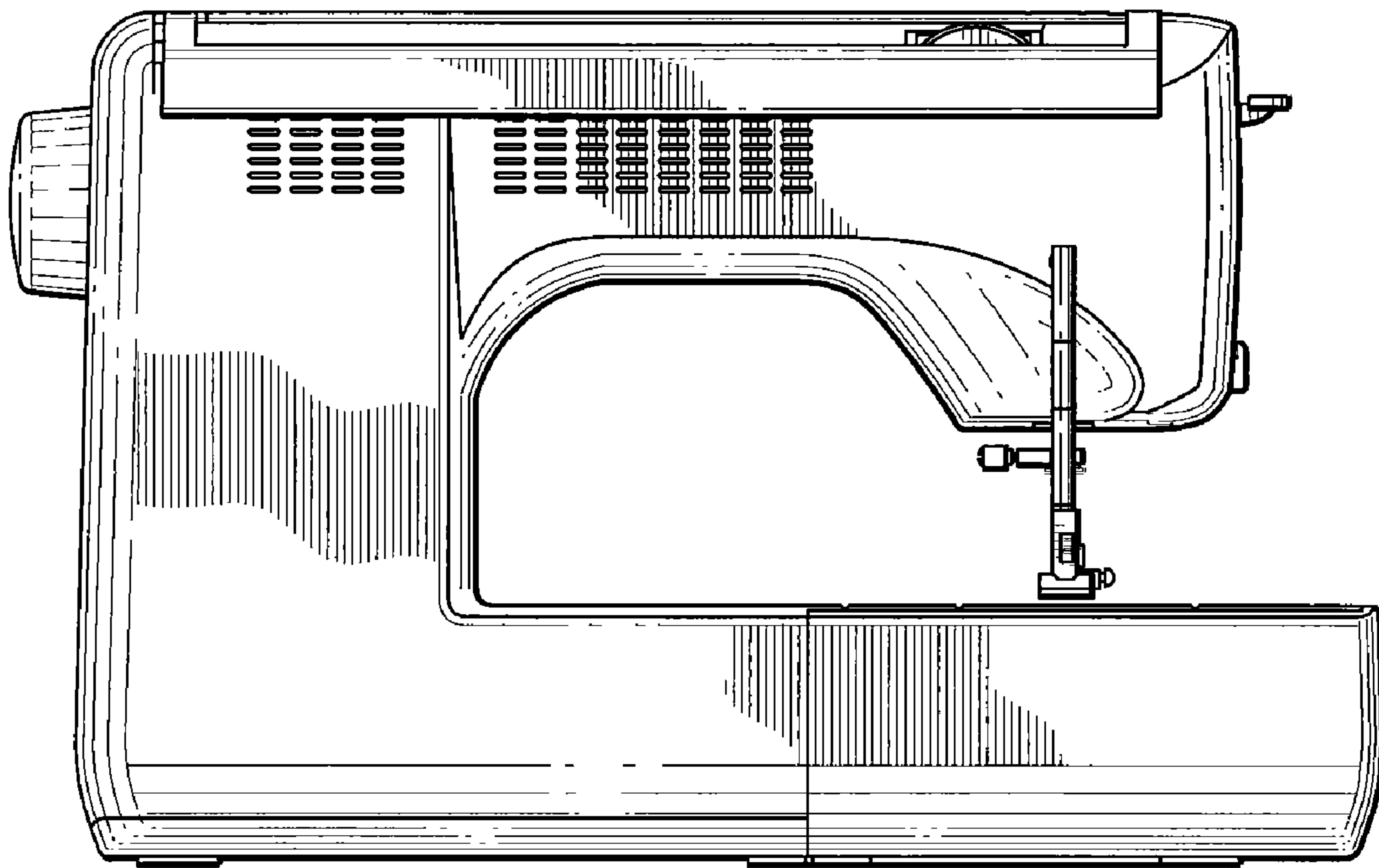


FIG. 2

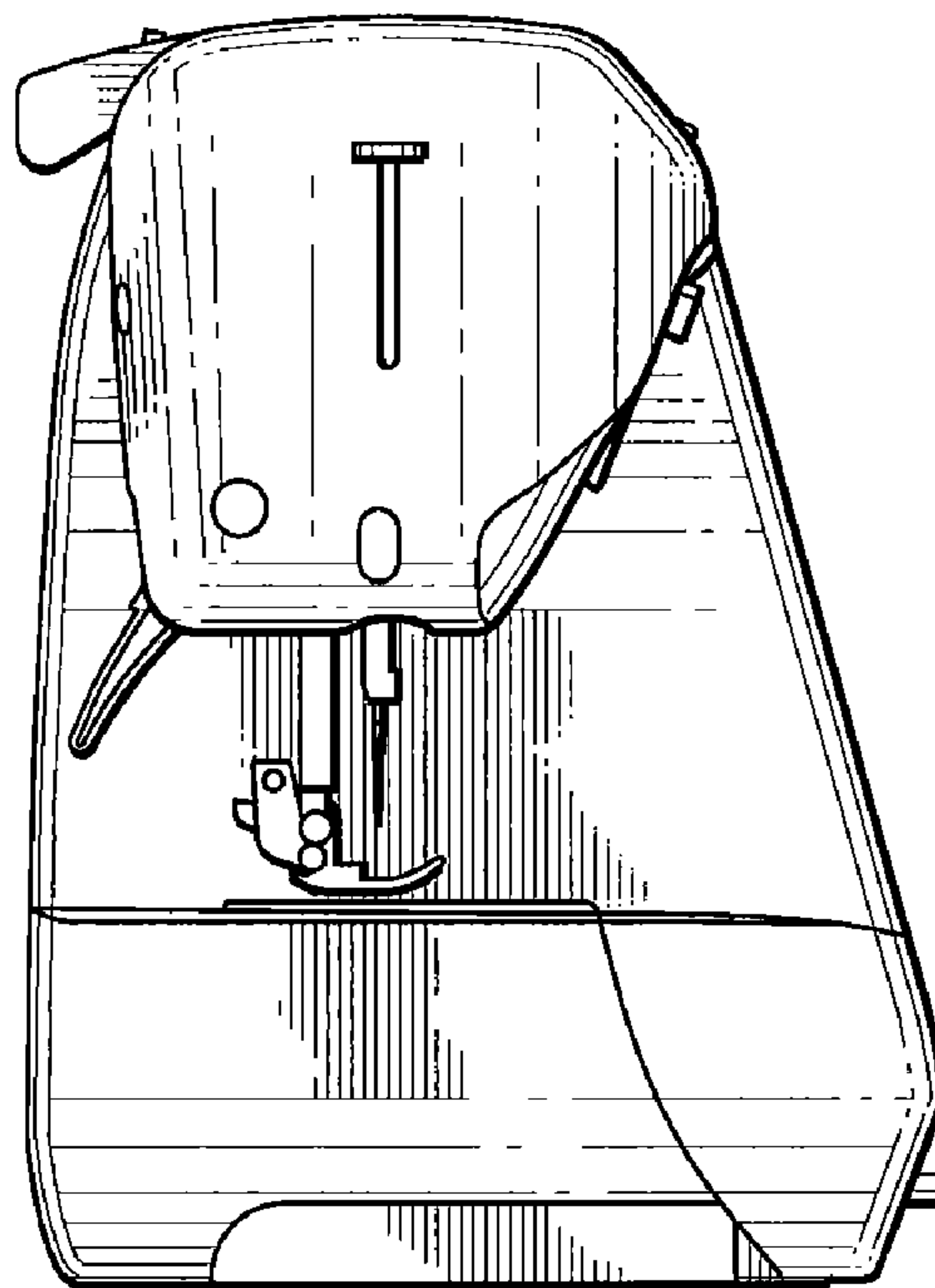


FIG. 3

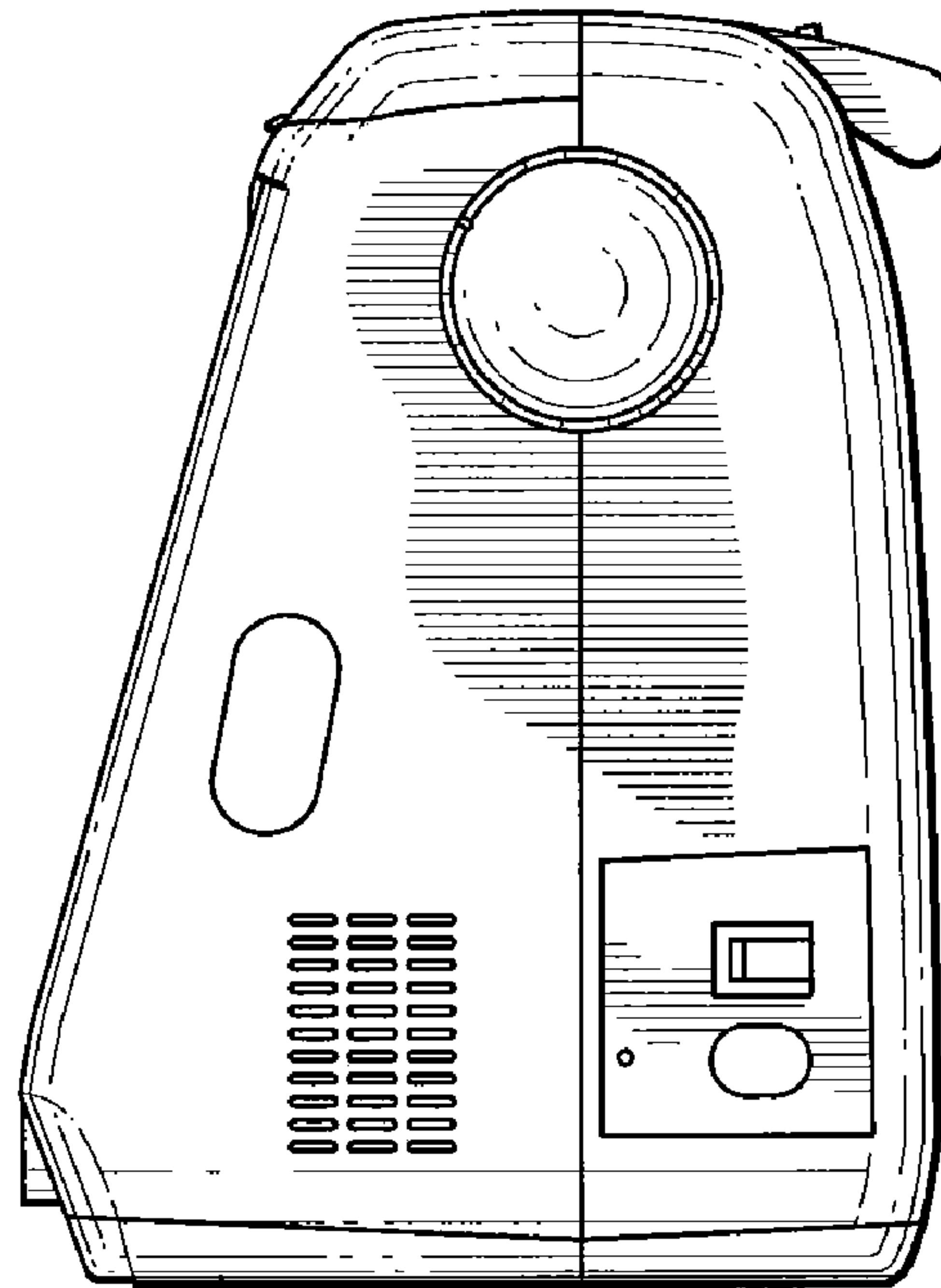


FIG. 4

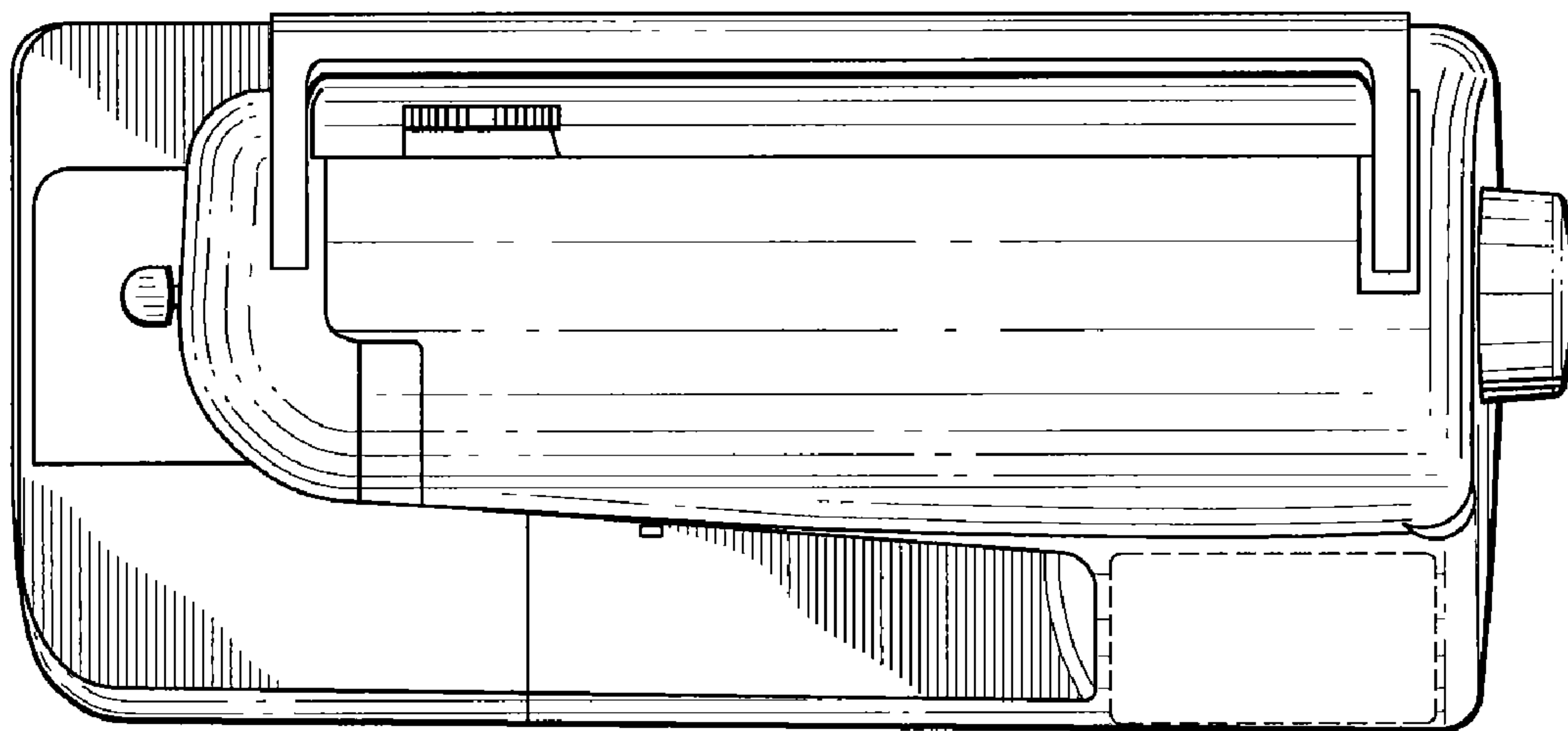


FIG. 5

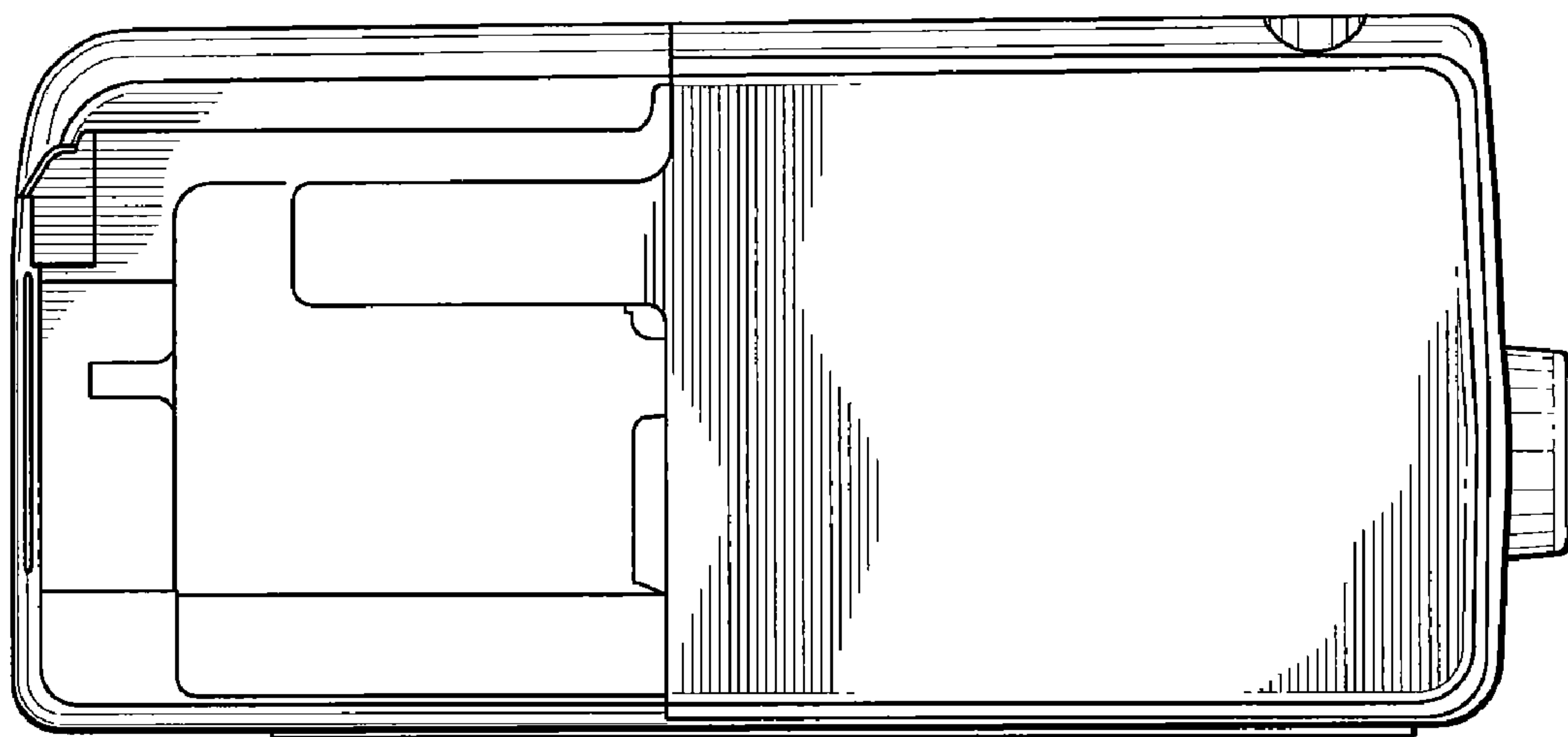


FIG. 6

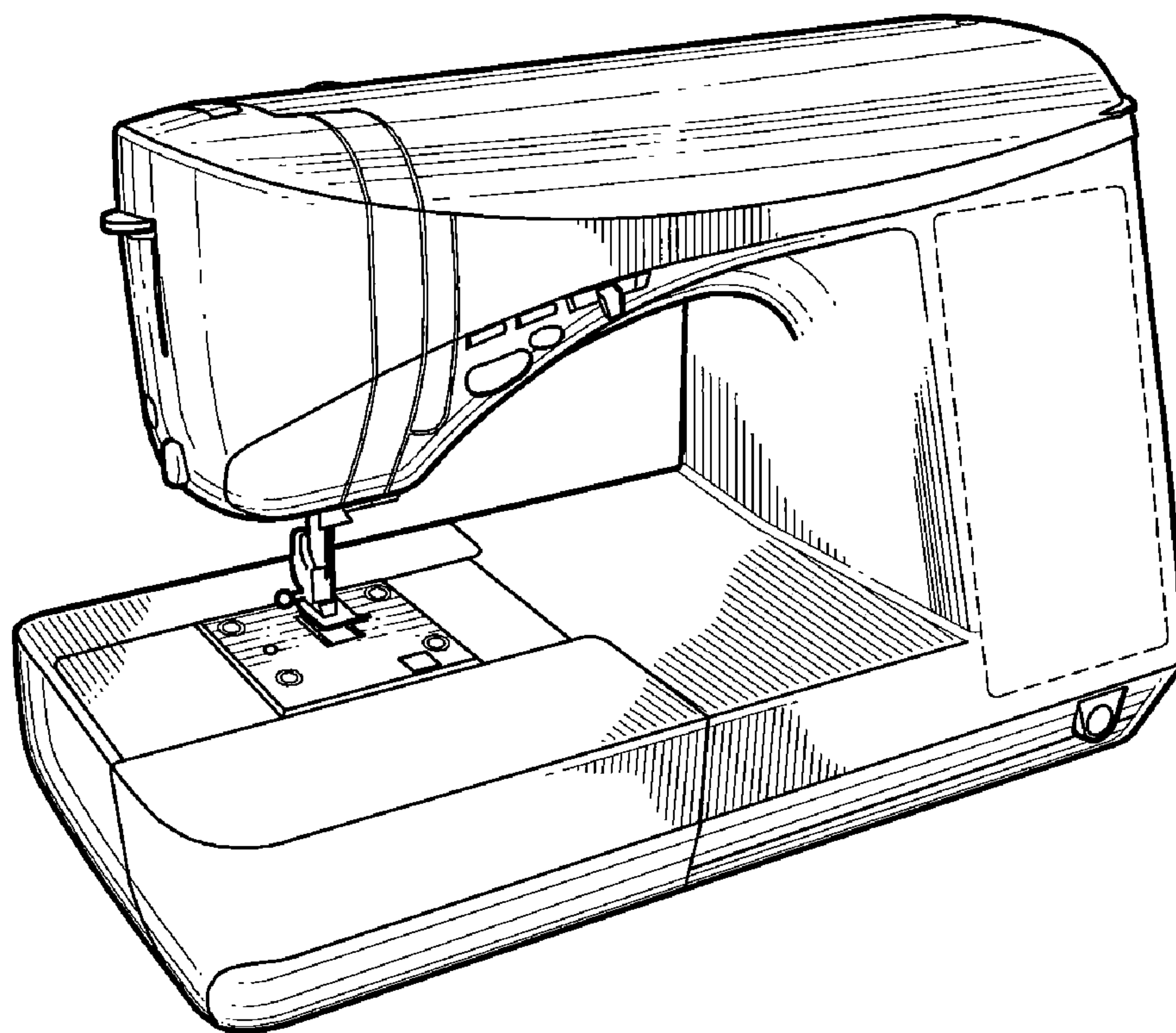


FIG. 7