



US00D591310S

(12) **United States Design Patent**
Soja

(10) **Patent No.:** **US D591,310 S**

(45) **Date of Patent:** **** Apr. 28, 2009**

(54) **DIAPHRAGM PUMP WITH MOTOR**

Primary Examiner—R. Seifert

(74) *Attorney, Agent, or Firm*—Marc Johnson Soja

(75) **Inventor:** **Marc Johnson Soja**, 84 Black Creek Blvd, Toronto, Ontario (CA) M6N 2K9

(57) **CLAIM**

(73) **Assignee:** **Marc Johnson Soja**, Toronto, Ont (CA)

The ornamental design for a diaphragm pump with motor, as shown and described.

(**) **Term:** **14 Years**

(21) **Appl. No.:** **29/309,414**

DESCRIPTION

(22) **Filed:** **Aug. 12, 2008**

(51) **LOC (9) Cl.** **15-02**

(52) **U.S. Cl.** **D15/7**

(58) **Field of Classification Search** D15/7-9;
D23/231, 232, 225; 417/410.1, 359, 415-416,
417/234, 321, 265, 405

See application file for complete search history.

FIG. 1 is a front elevational view of a diaphragm pump with motor showing my new design;

FIG. 2 is a left side elevational view thereof;

FIG. 3 is a rear elevational view thereof;

FIG. 4 is a right side elevational view thereof;

FIG. 5 is a top plan view thereof;

FIG. 6 is a bottom plan view thereof;

FIG. 7 is a diagonal front perspective view seen from left side thereof;

FIG. 8 is a diagonal front perspective view seen from right side thereof;

FIG. 9 is a diagonal rear perspective view seen from right side thereof; and,

FIG. 10 is a diagonal rear perspective view seen from left side therefor.

(56) **References Cited**

U.S. PATENT DOCUMENTS

D328,304 S *	7/1992	Frohn et al.	D15/7
D388,797 S *	1/1998	Conti et al.	D15/7
D450,327 S *	11/2001	Mori et al.	D15/7
D466,522 S *	12/2002	Huang	D15/7
D471,561 S *	3/2003	Kohsaka	D15/7
D485,565 S *	1/2004	Martinello	D15/7
D558,232 S *	12/2007	Wang	D15/7
D573,609 S *	7/2008	Bilger	D15/7

* cited by examiner

1 Claim, 10 Drawing Sheets

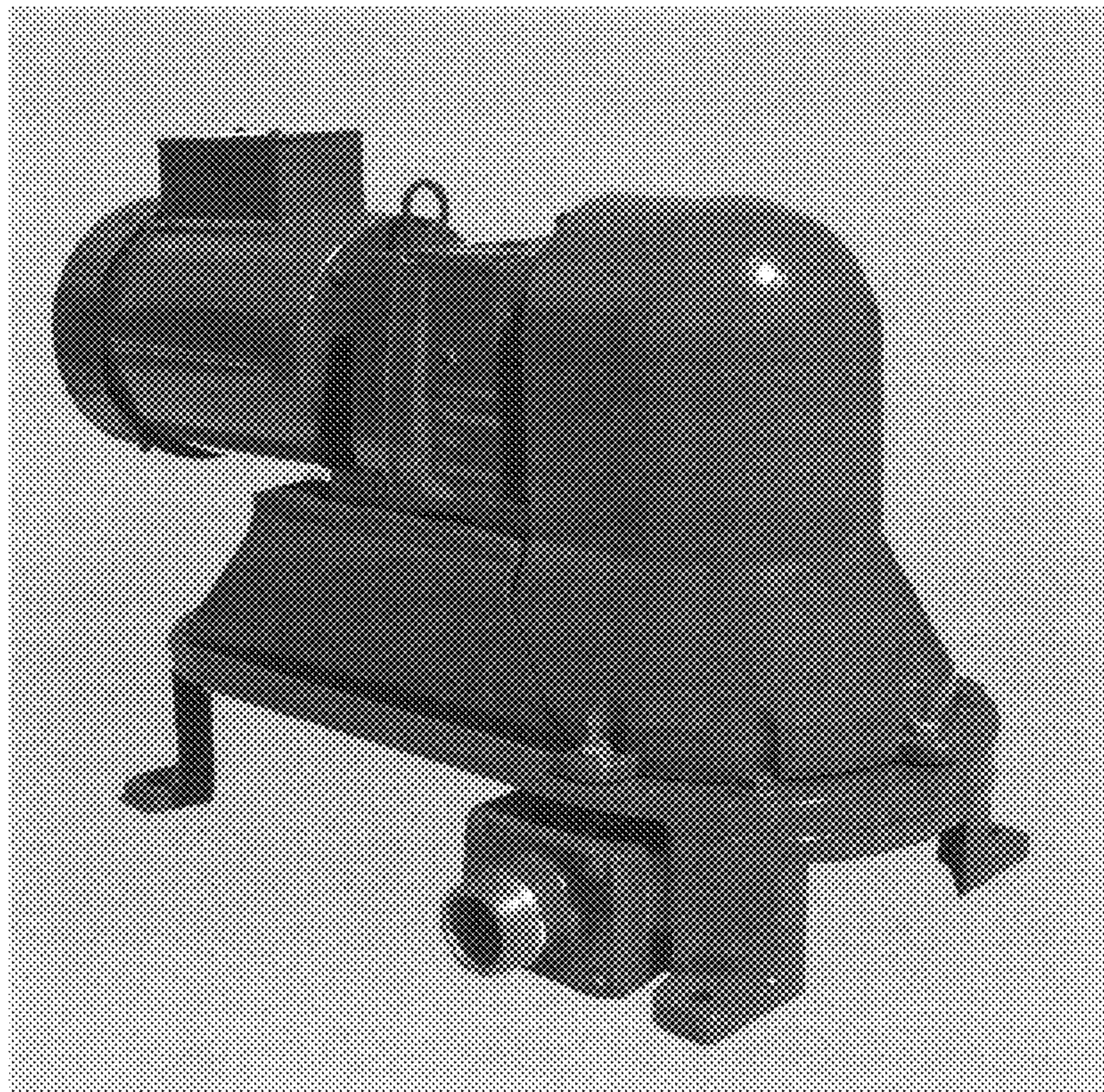


Fig. 1

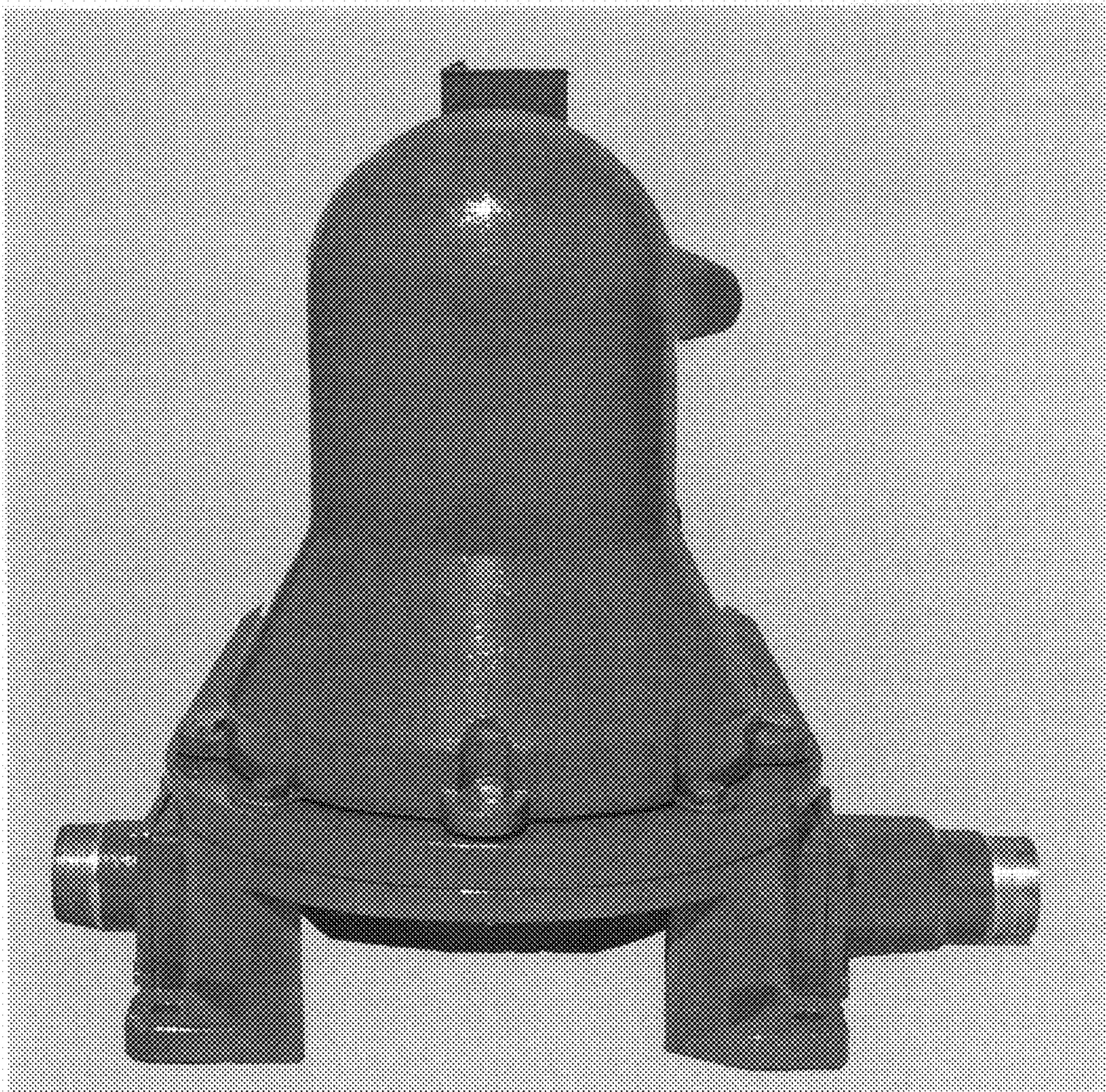


Fig.2

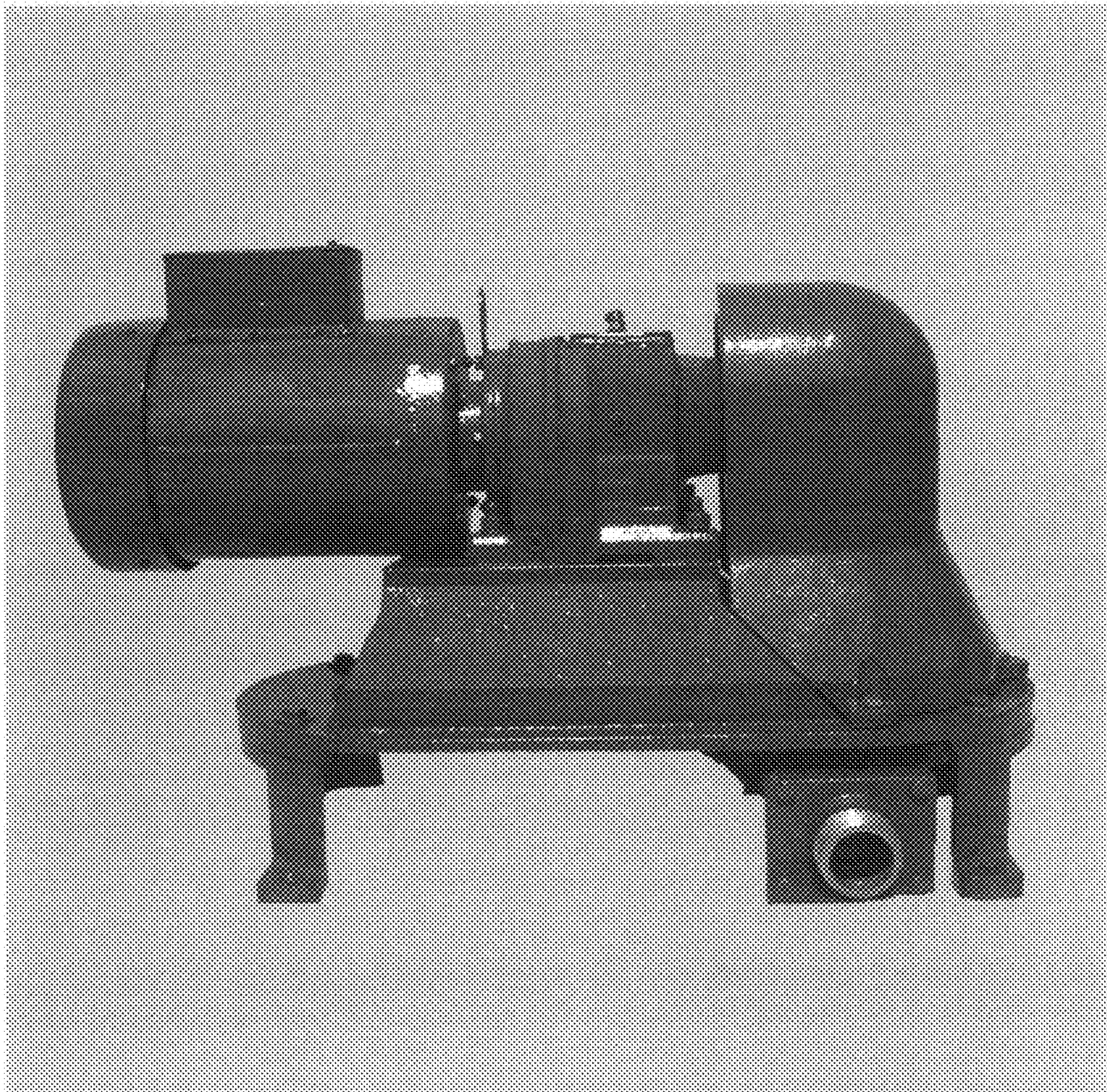


Fig. 3

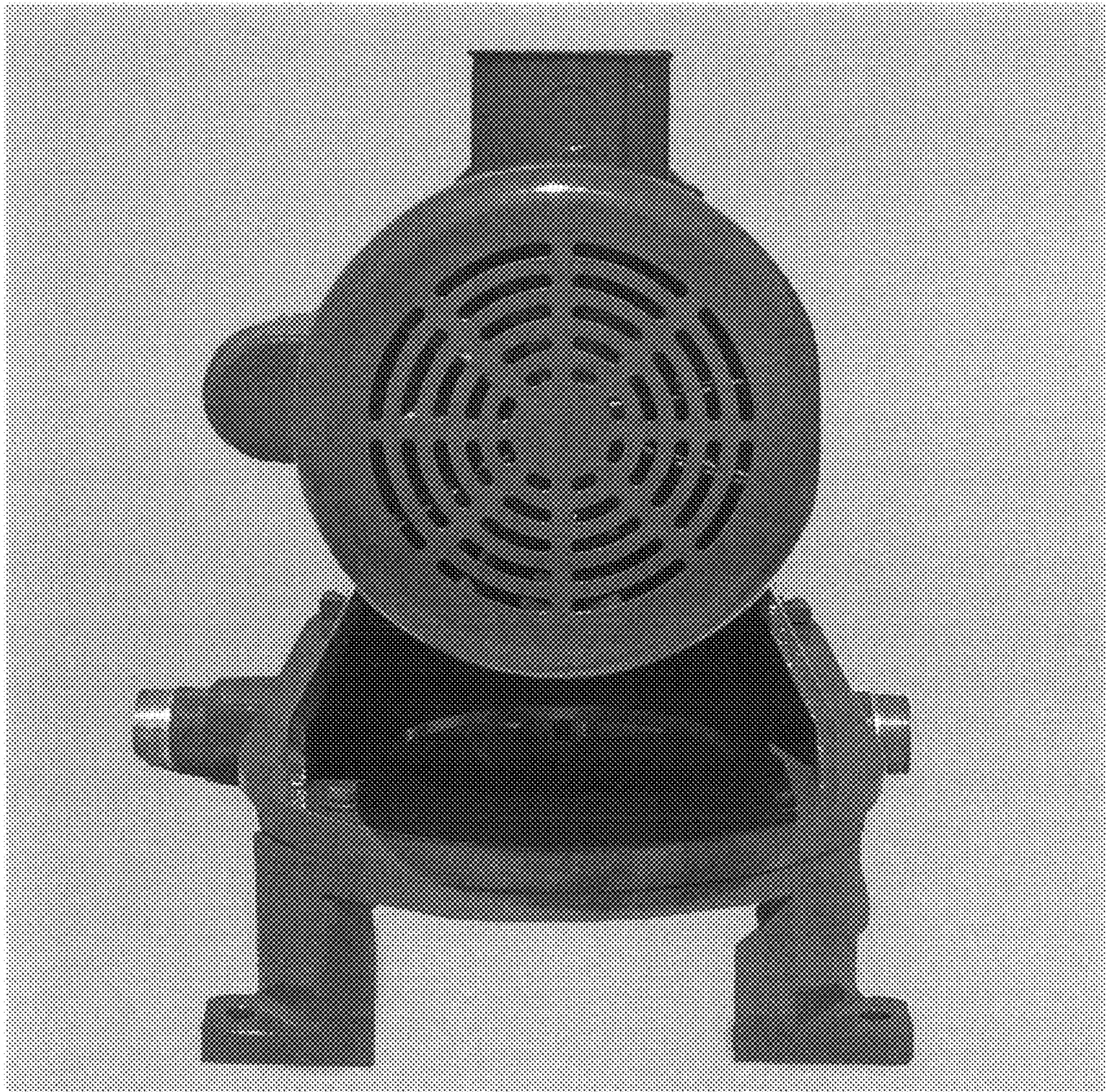


Fig. 4

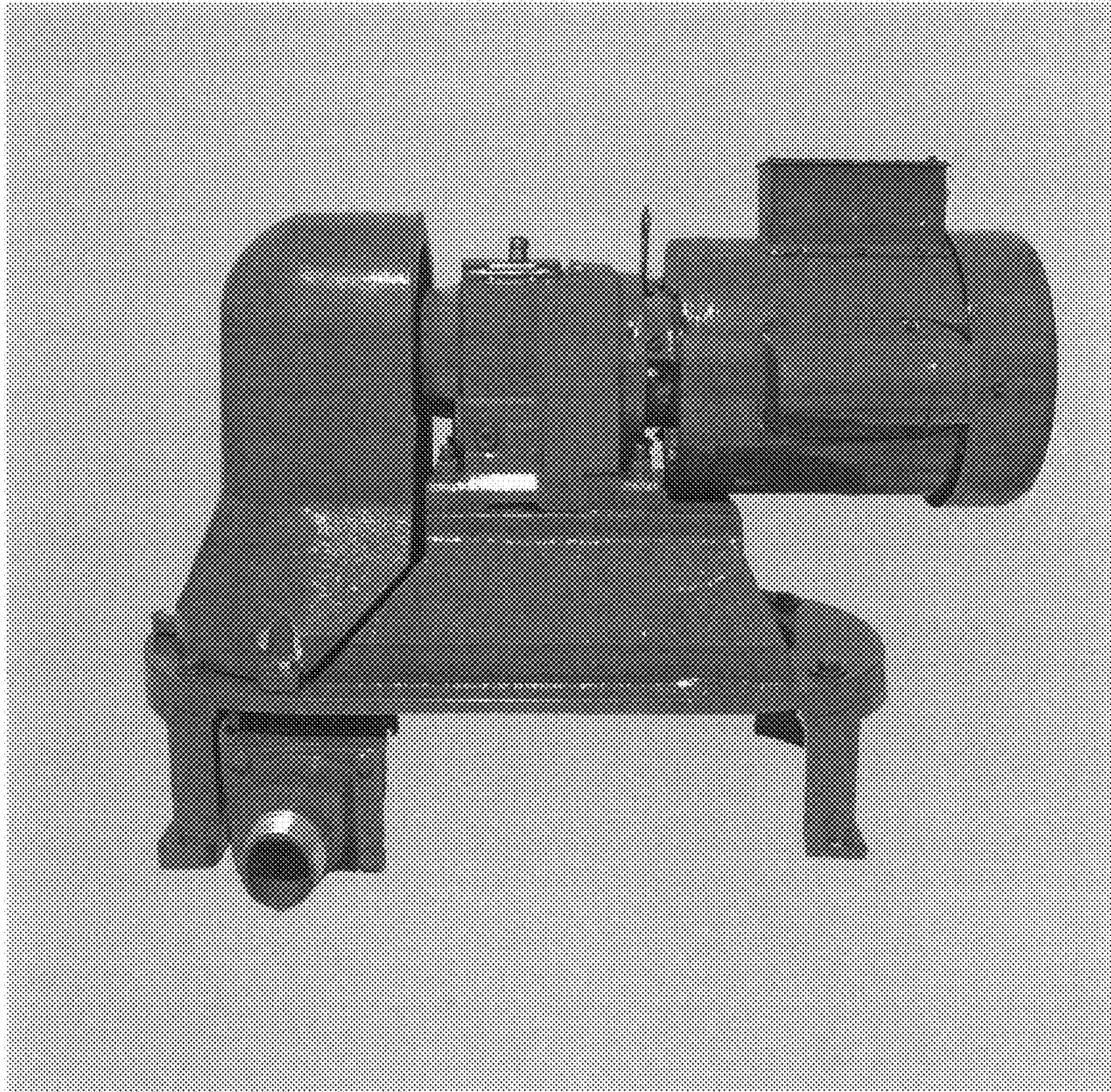


Fig. 5

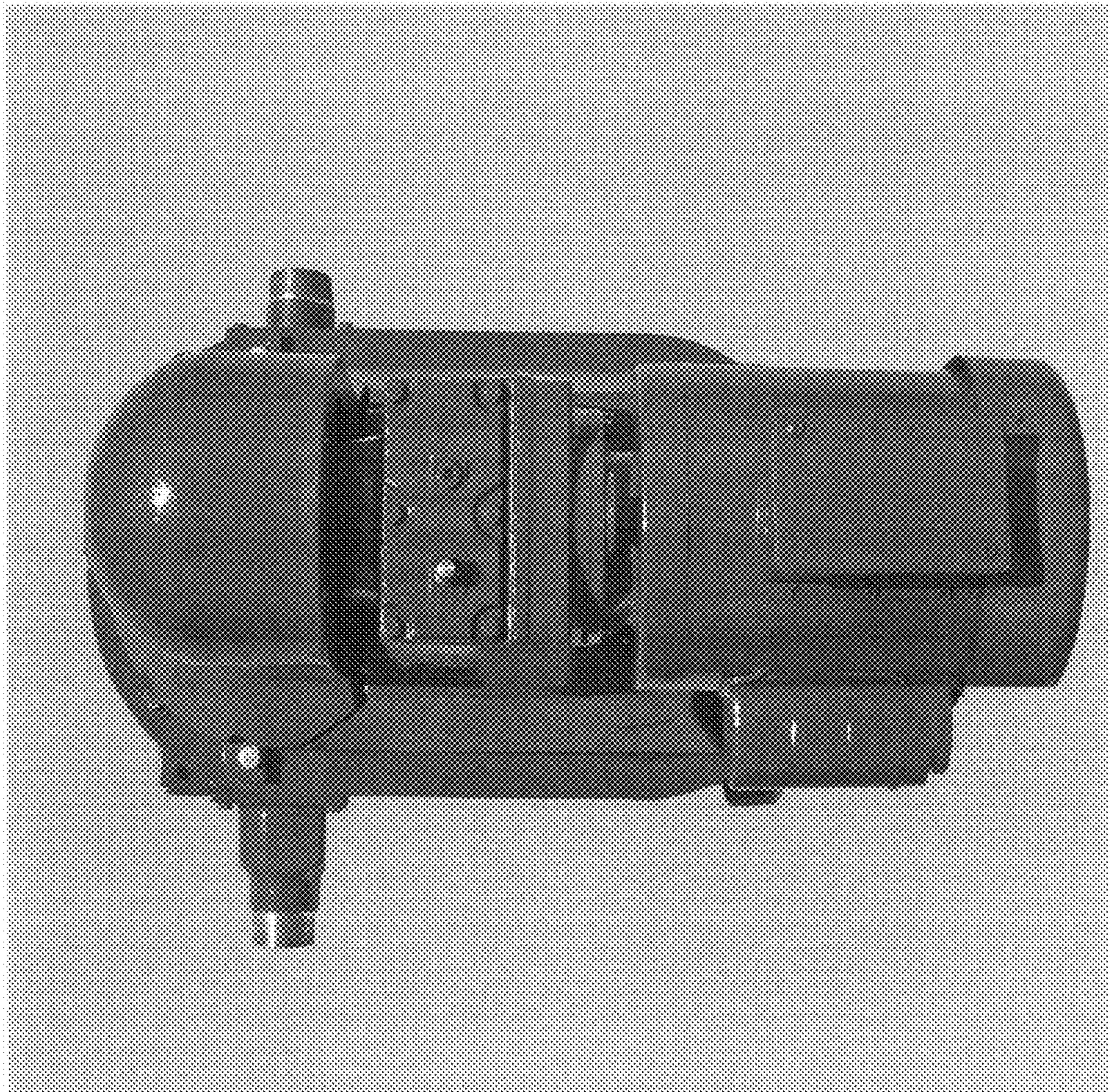


Fig. 6

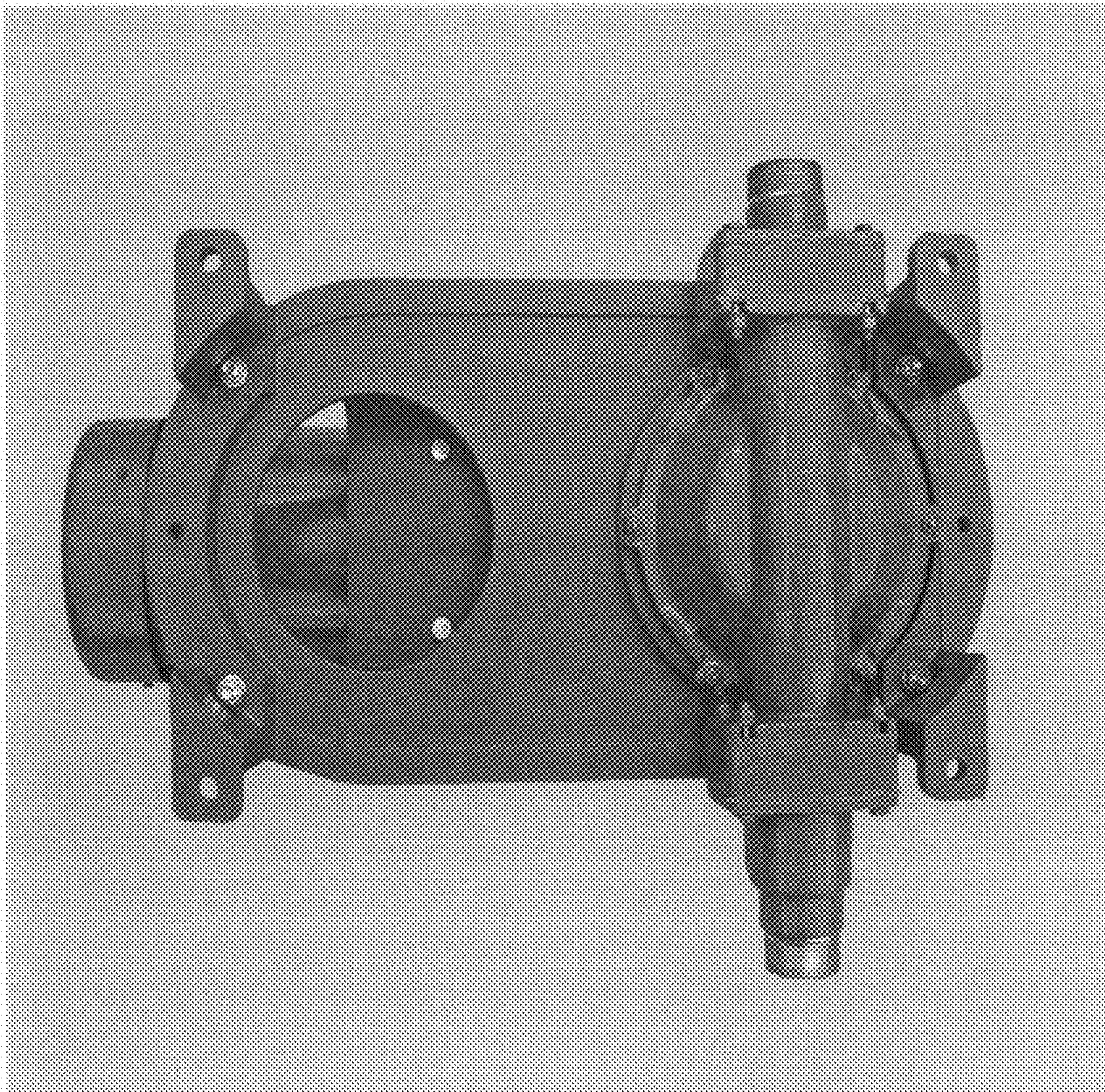


Fig.7

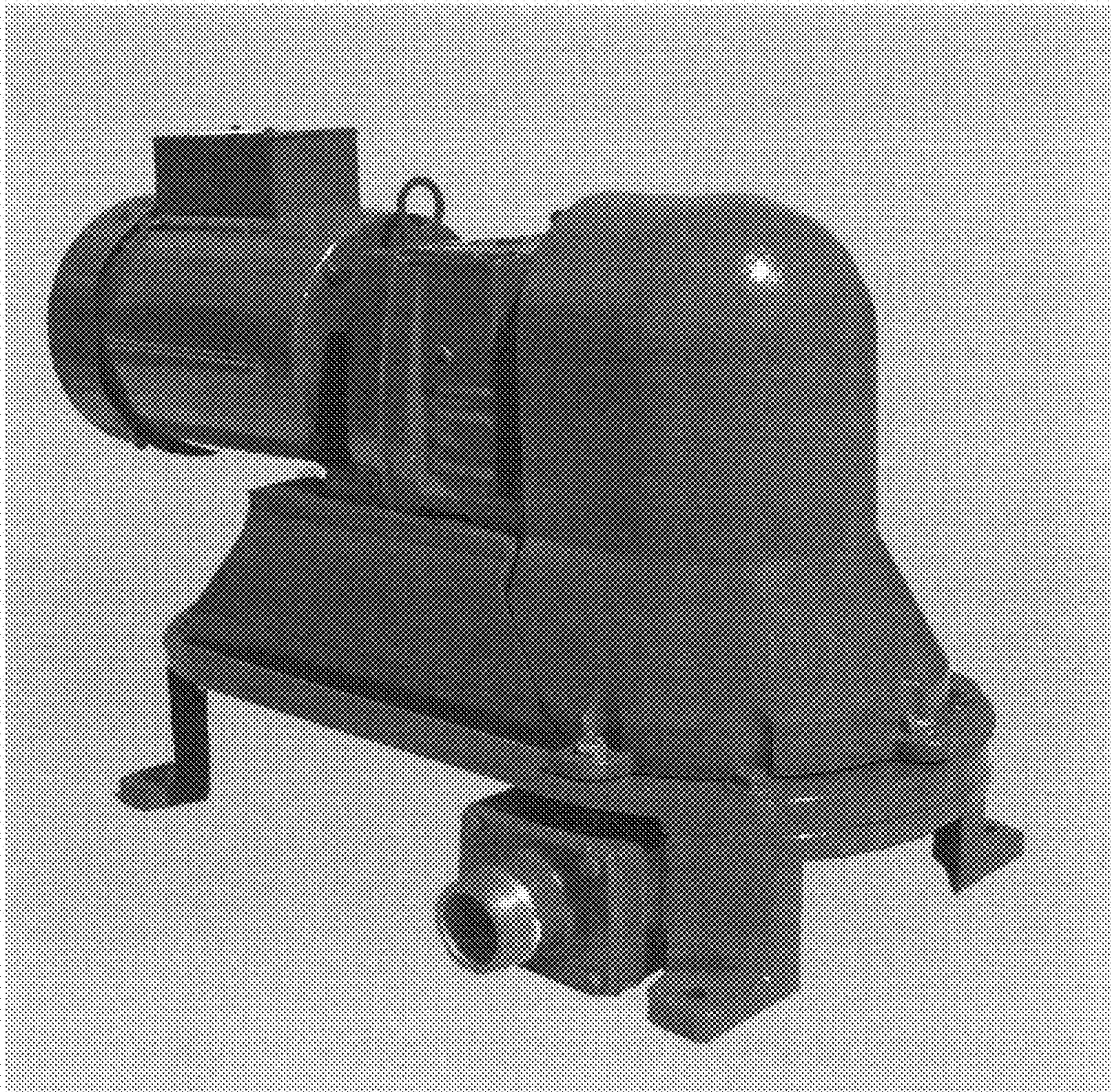


Fig.8

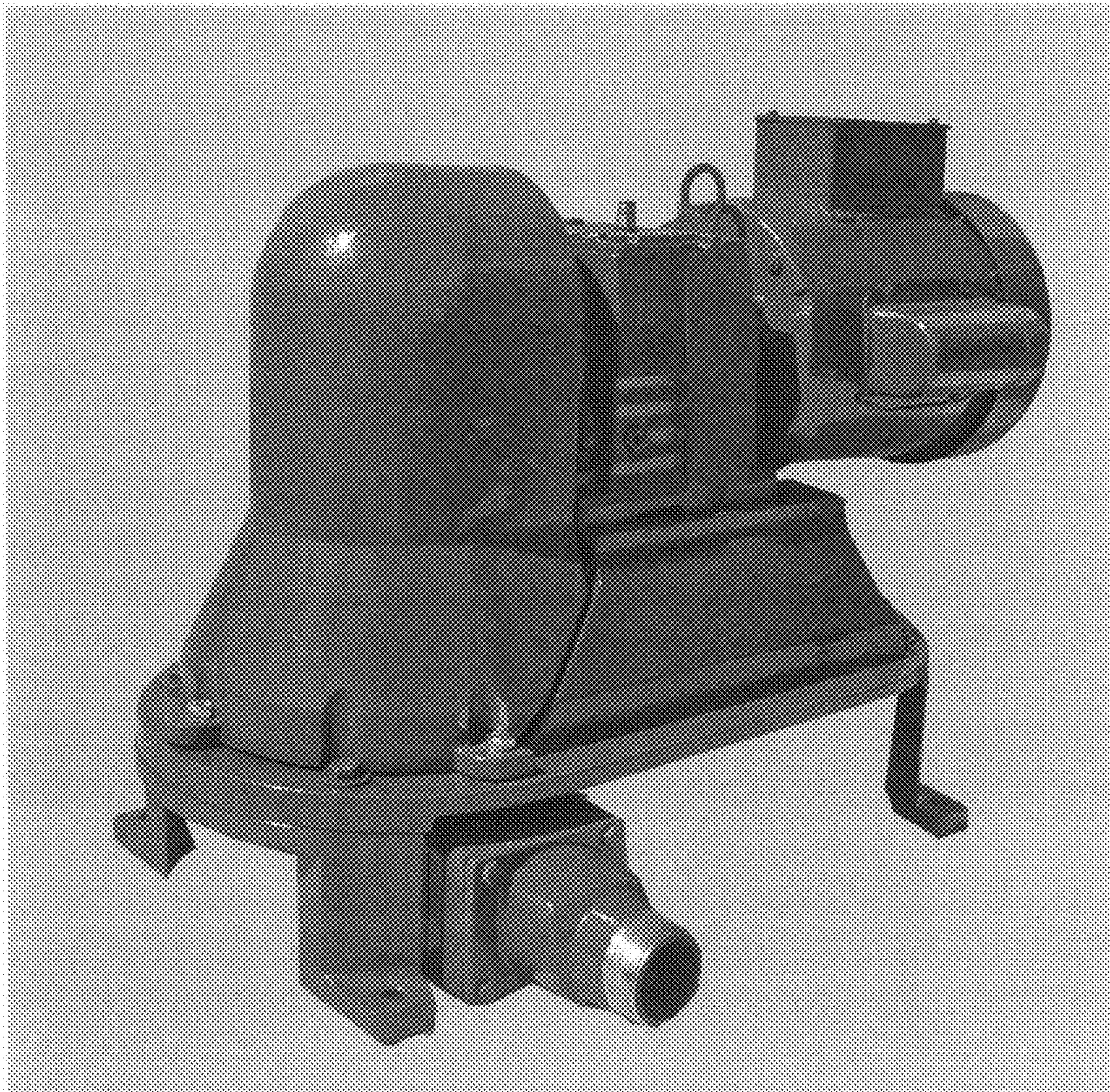


Fig 9

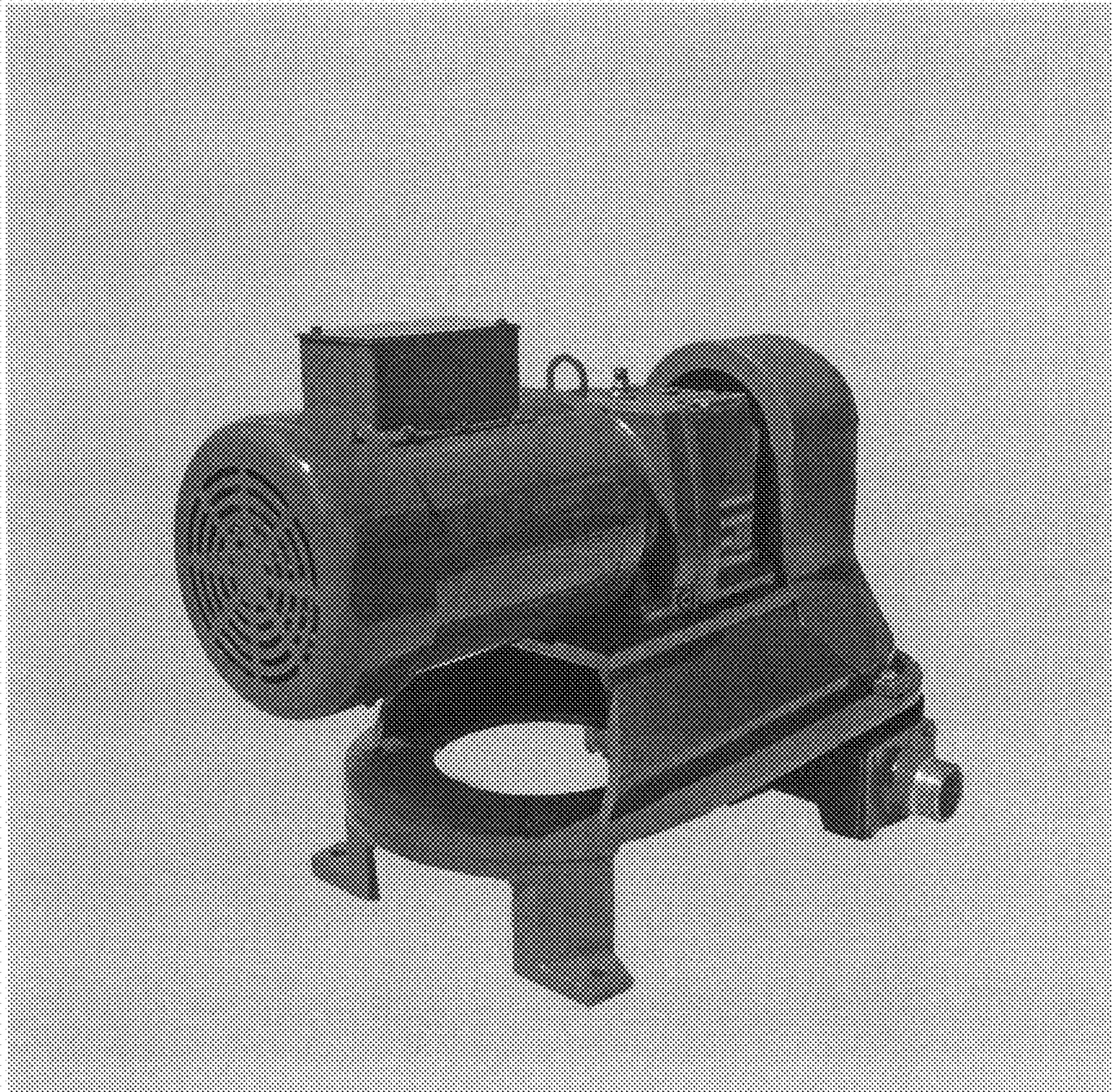


Fig. 10

