



US00D591308S

(12) **United States Design Patent**
Sasaki et al.

(10) **Patent No.:** **US D591,308 S**
(45) **Date of Patent:** **** Apr. 28, 2009**

(54) **DIGITAL AUDIO PLAYER WITH RADIO TUNER**

(75) Inventors: **Uzuko Sasaki**, Kanagawa (JP); **Eiichiro Hayashi**, Kanagawa (JP)

(73) Assignee: **Victor Company of Japan, Limited**, Kanagawa (JP)

(**) Term: **14 Years**

(21) Appl. No.: **29/307,689**

(22) Filed: **May 6, 2008**

(30) **Foreign Application Priority Data**

Nov. 7, 2007 (JP) 2007-030723

(51) **LOC (9) Cl.** **14-03**

(52) **U.S. Cl.** **D14/496; D14/168**

(58) **Field of Classification Search** D14/496, D14/401, 435, 474, 483, 217, 137, 138, 160, D14/168, 356; 345/156, 169, 173-179, 905; 715/727-729, 864; 710/1, 5, 8; 713/1, 600; 455/1.1, 1.7, 73, 344-347, 93, 95, 3.01-3.06, 455/550.1, 573.1; 370/342-344; 369/1, 369/2, 6-12; 463/43-47; 273/148 B

See application file for complete search history.

(56) **References Cited**

U.S. PATENT DOCUMENTS

6,869,320 B2 * 3/2005 Haas et al. 439/701
D515,551 S * 2/2006 Watanabe D14/500

7,043,044 B2 * 5/2006 Amid-Hozour 381/388
7,095,867 B2 * 8/2006 Schul et al. 381/334
7,184,259 B2 * 2/2007 Marler et al. 361/679
7,188,491 B2 * 3/2007 Donald et al. 62/457.7
D540,815 S * 4/2007 Zhang D14/496
D545,810 S * 7/2007 Hussaini et al. D14/168
D551,679 S * 9/2007 Hayes D14/496
D553,155 S * 10/2007 Kim D14/496
7,283,880 B2 * 10/2007 Dick 700/94

* cited by examiner

Primary Examiner—Prabhakar Deshmukh

(74) *Attorney, Agent, or Firm*—Osha • Liang LLP

(57) **CLAIM**

The ornamental design for a digital audio player with radio tuner, as shown and described.

DESCRIPTION

FIG. 1 is a perspective view of the front and right of a digital audio player with radio tuner showing our new design;

FIG. 2 is a front view thereof;

FIG. 3 is a rear view thereof;

FIG. 4 is a left side view thereof;

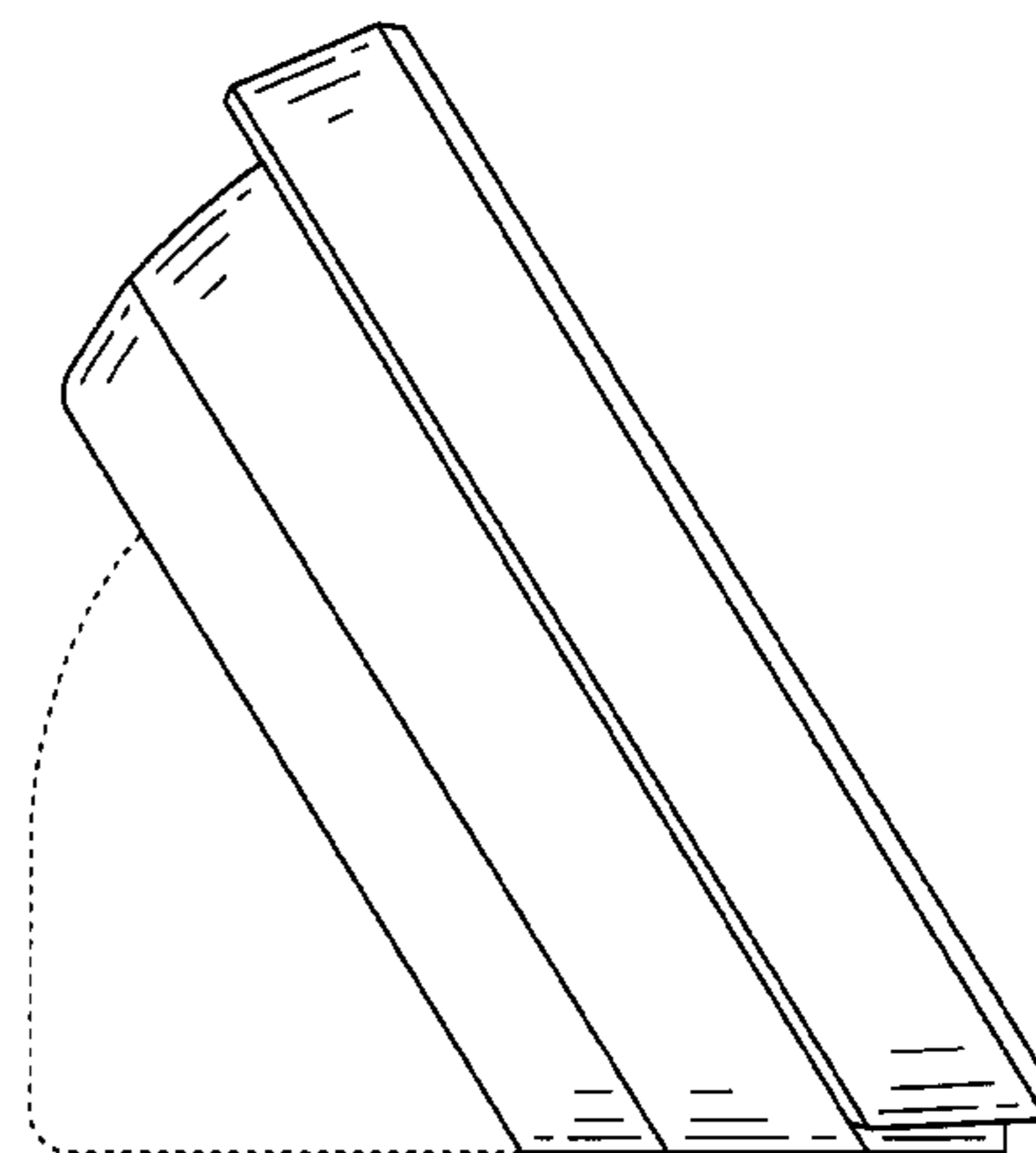
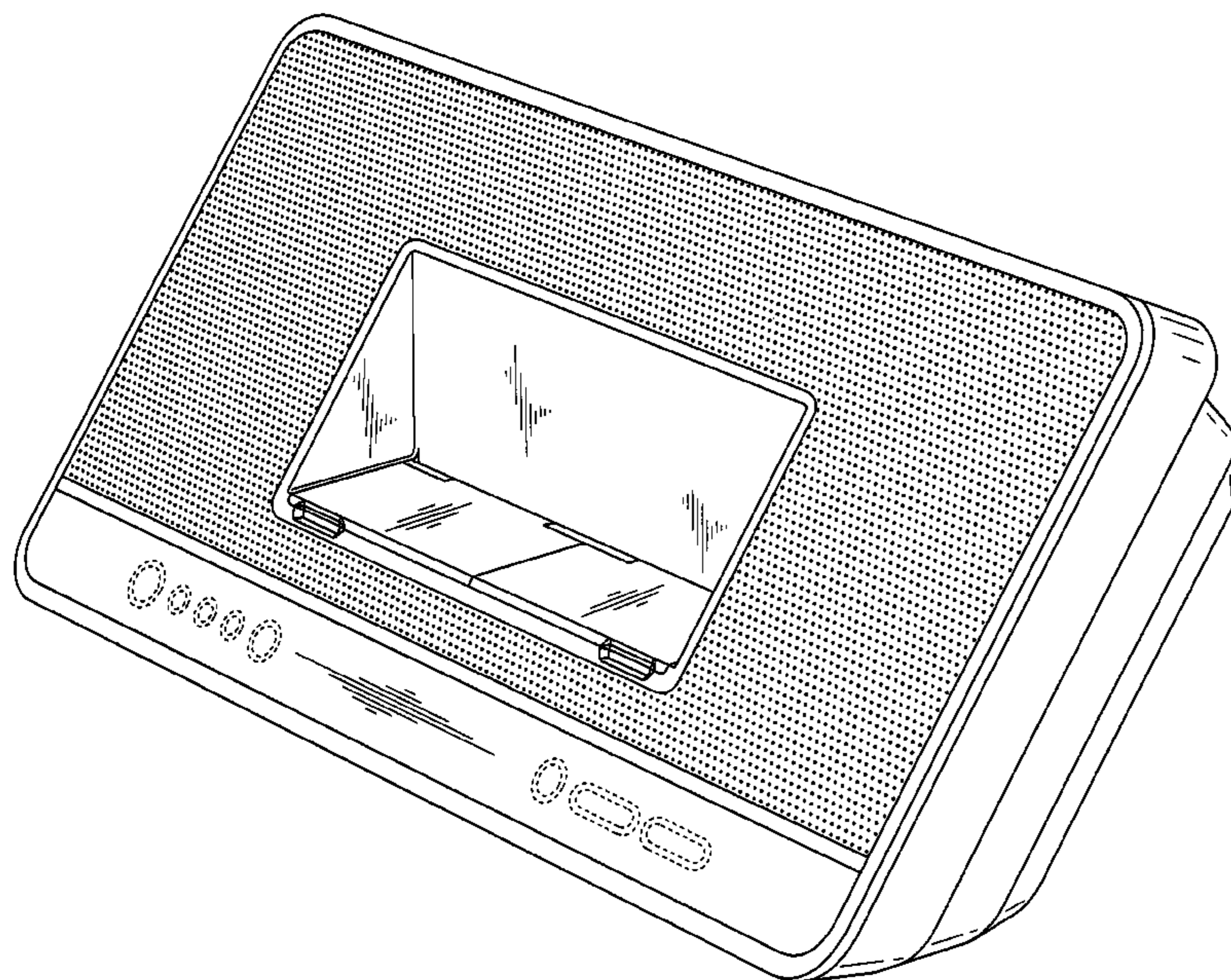
FIG. 5 is a right side view thereof;

FIG. 6 is a top plan view thereof; and,

FIG. 7 is a bottom view thereof.

The elements shown in broken lines are for illustrative purposes only and form no part of the claimed design.

1 Claim, 6 Drawing Sheets



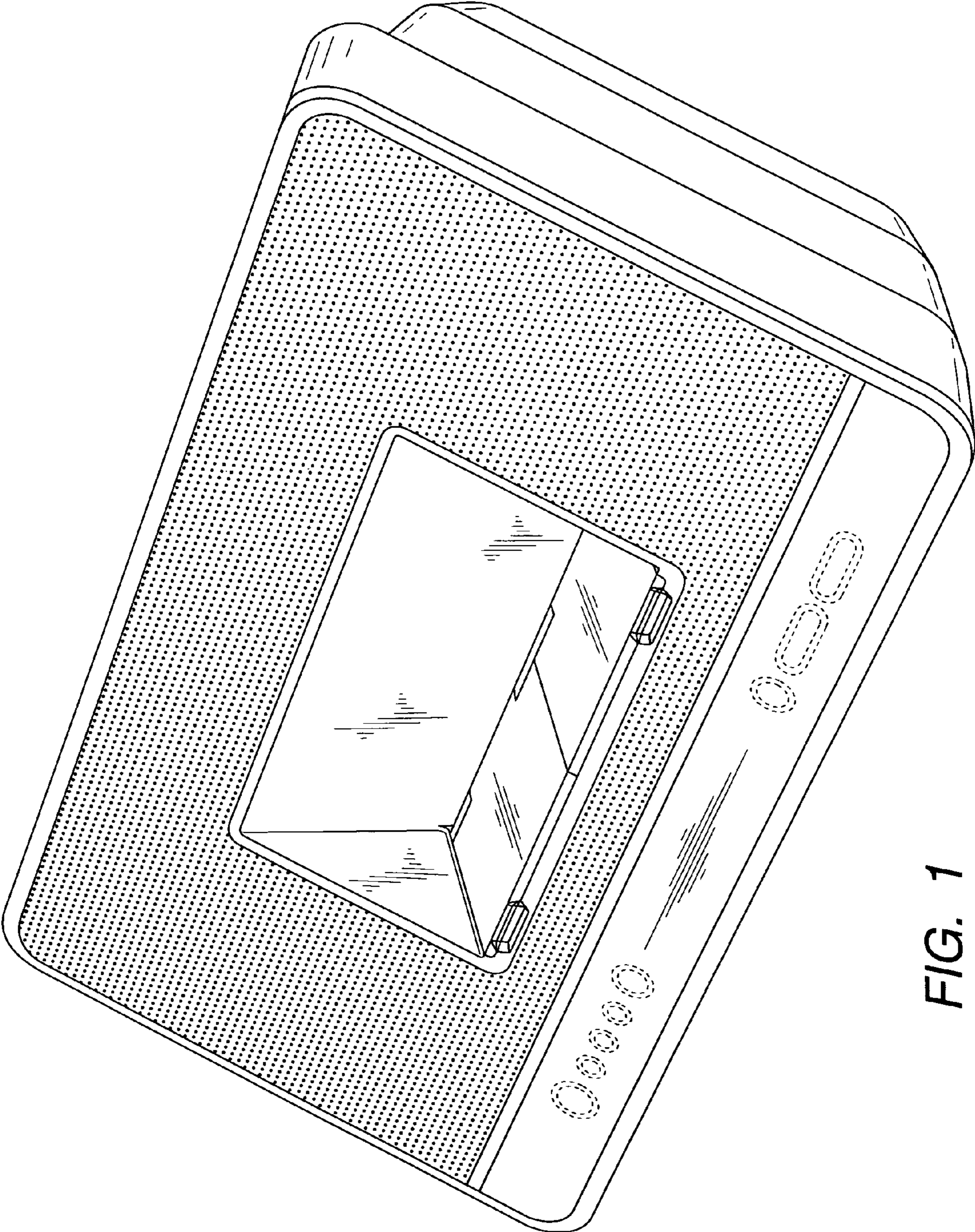


FIG. 1

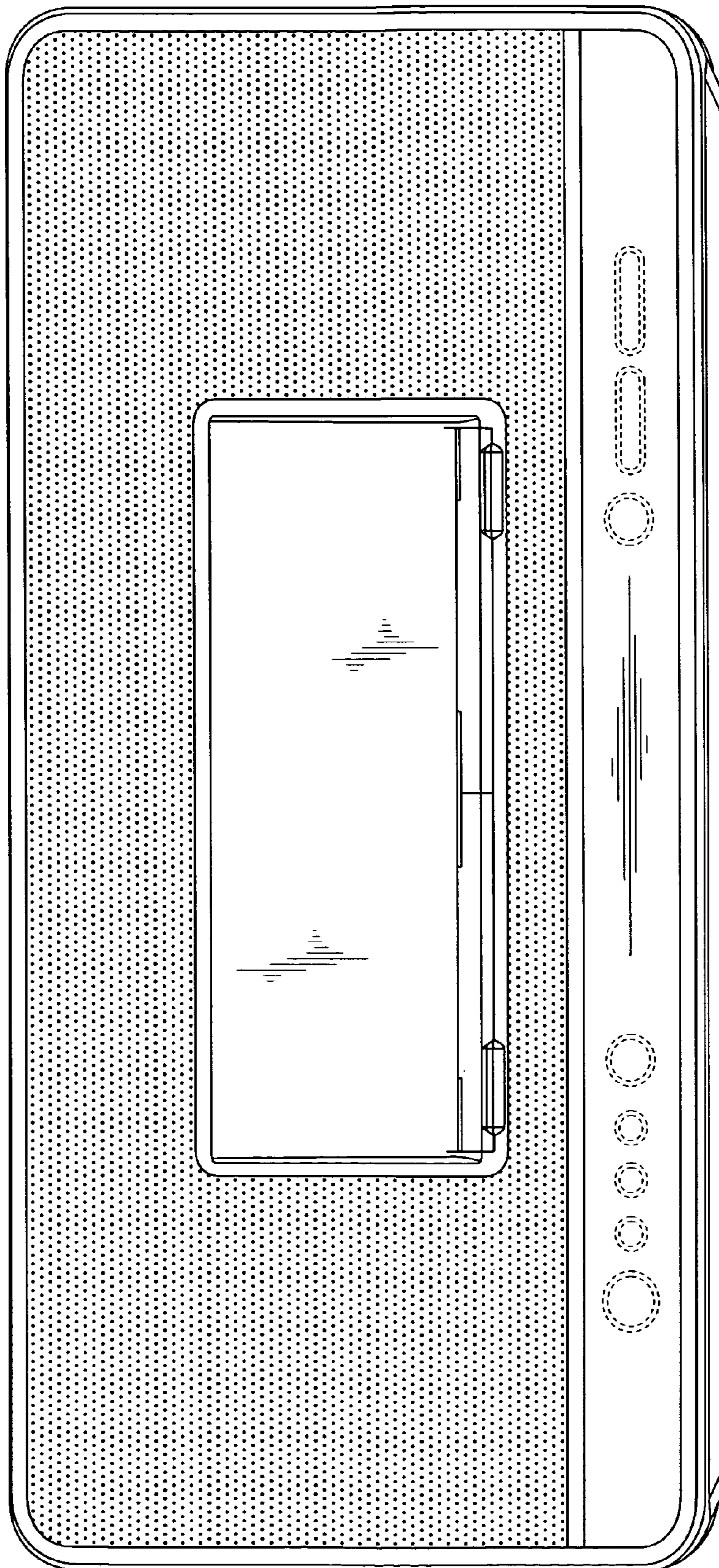


FIG. 2

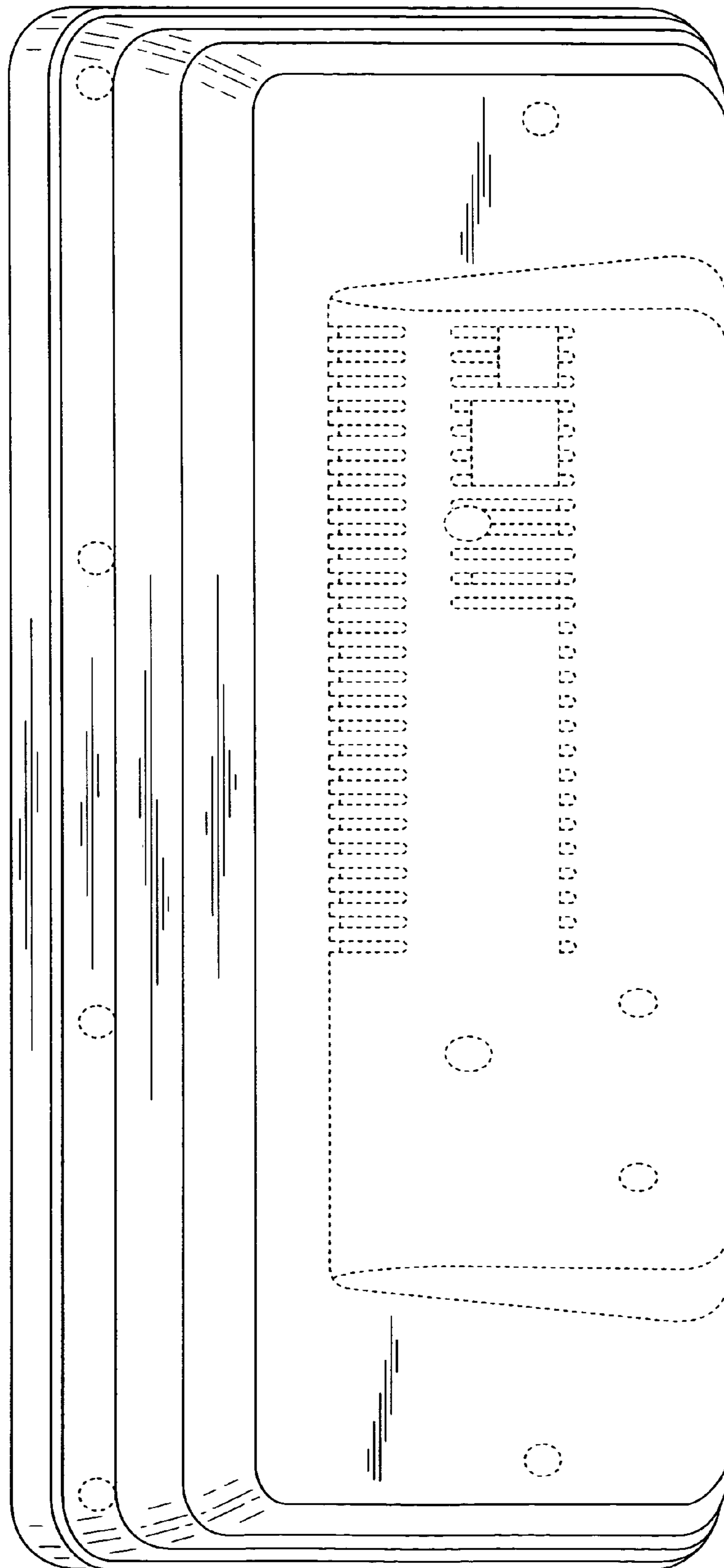


FIG. 3

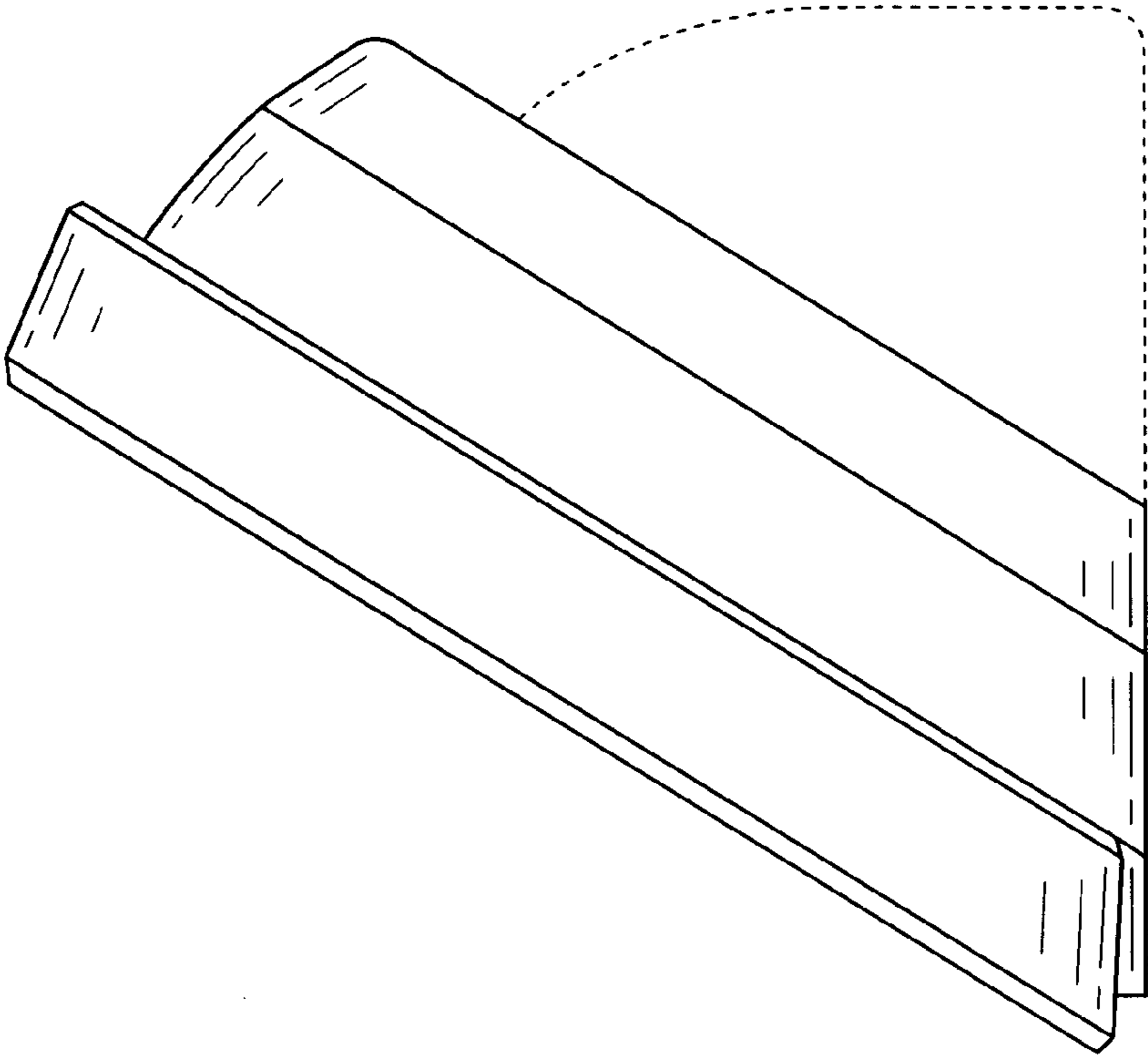


FIG. 5

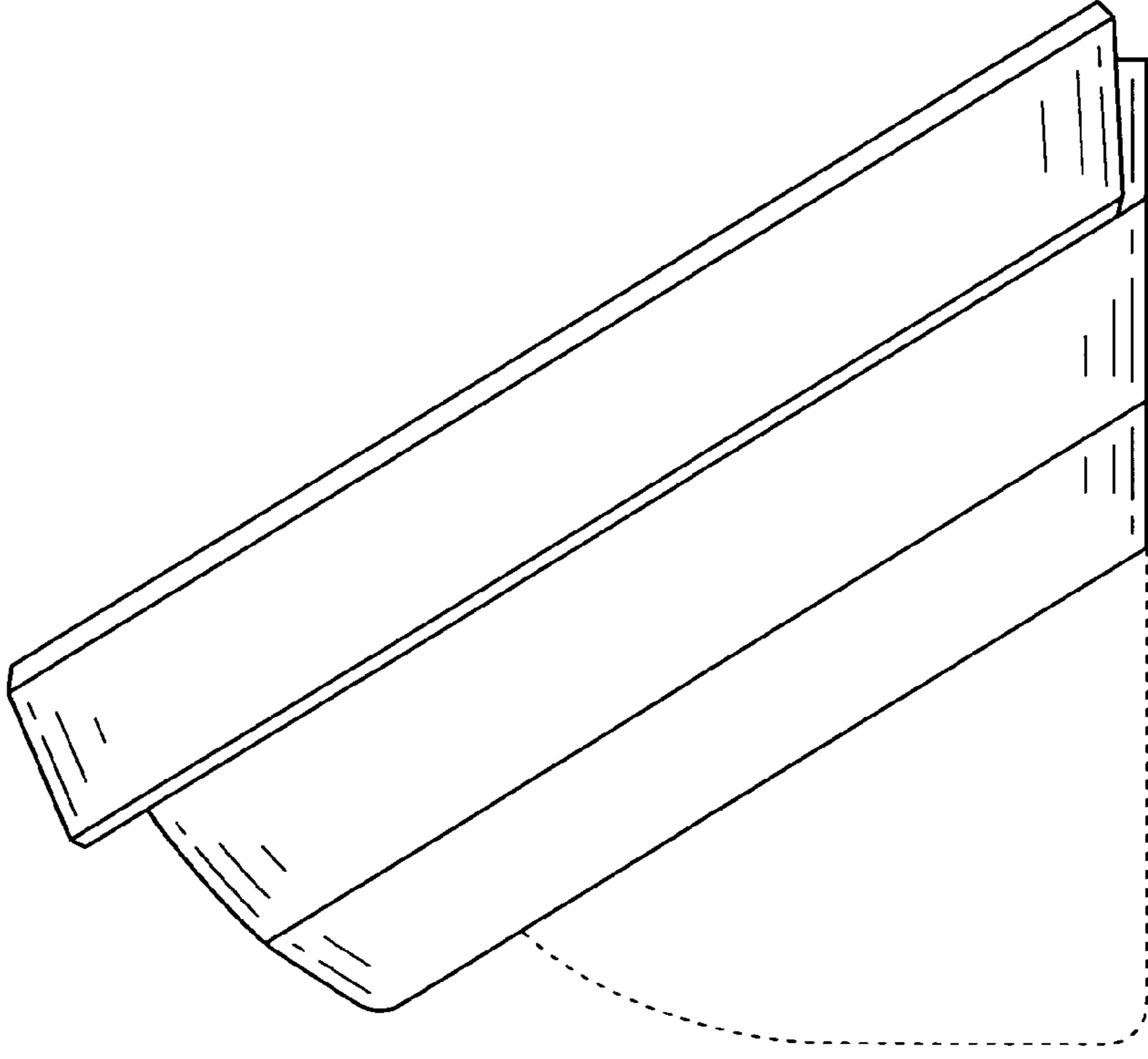


FIG. 4

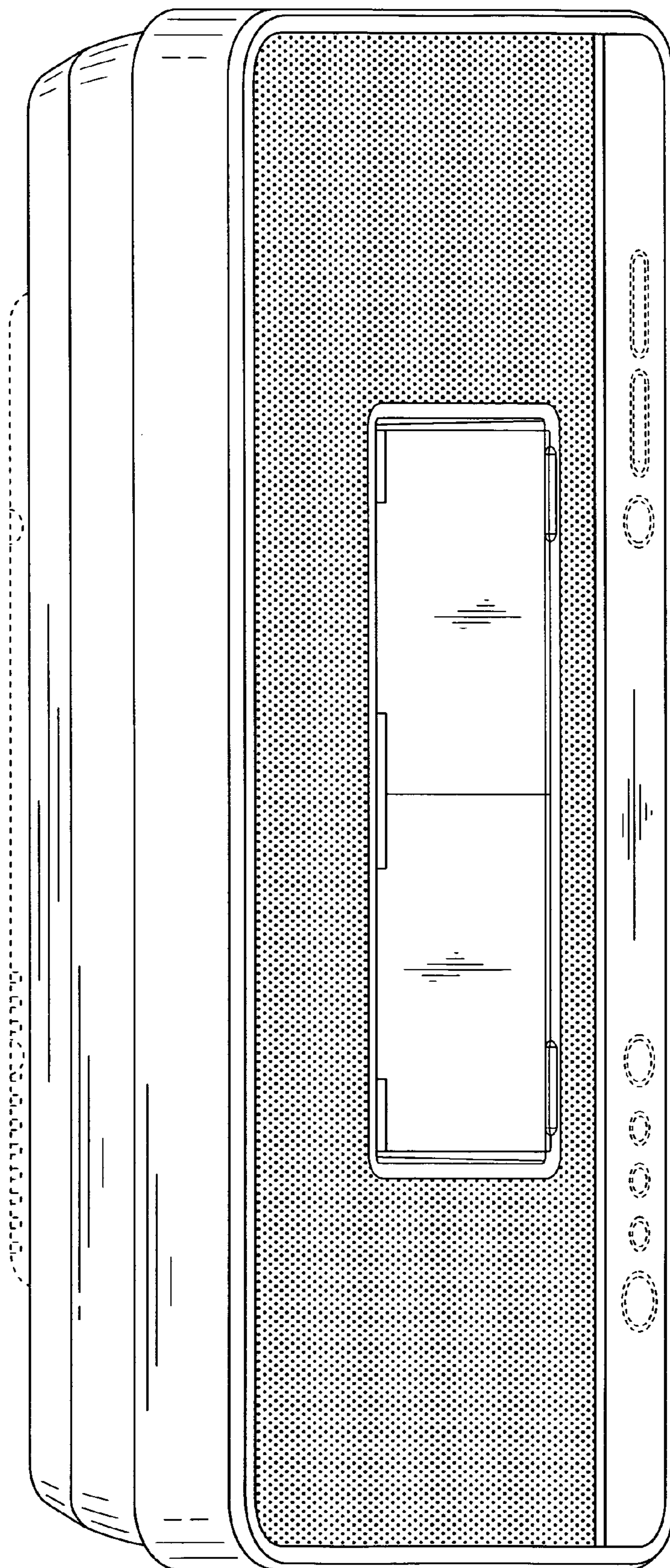


FIG. 6

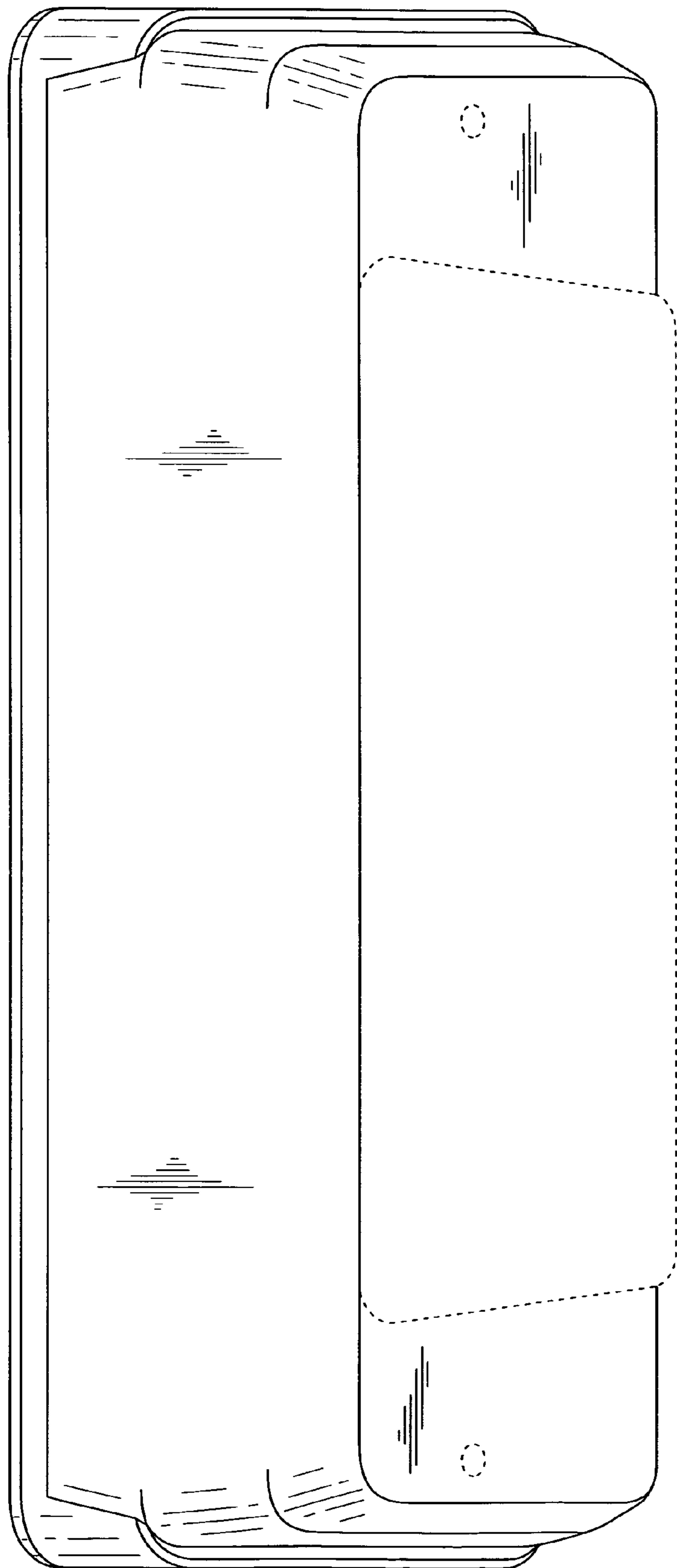


FIG. 7