



US00D591297S

(12) **United States Design Patent**  
**Manalo**

(10) **Patent No.:** **US D591,297 S**

(45) **Date of Patent:** **\*\* Apr. 28, 2009**

(54) **ELECTRONIC MOUSE**

(75) Inventor: **Gil Manalo**, Redmond, WA (US)

(73) Assignee: **Microsoft Corporation**, Redmond, WA (US)

(\*\*) Term: **14 Years**

(21) Appl. No.: **29/298,182**

(22) Filed: **Nov. 30, 2007**

**Related U.S. Application Data**

(63) Continuation of application No. 29/283,987, filed on Aug. 28, 2007, now abandoned.

(51) **LOC (9) Cl.** ..... **14-02**

(52) **U.S. Cl.** ..... **D14/402**

(58) **Field of Classification Search** ..... D14/402, D14/403, 404, 405, 406, 407, 408, 409, 410, D14/411, 412, 413, 414, 415, 416, 388, 356, D14/357, 454, 389, 432; 345/156, 163, 164, 345/165, 166, 174, 179, 180; 463/36, 37, 463/38, 39; 273/148 B; 200/6 R; 74/471 XY; D21/333

See application file for complete search history.

(56) **References Cited**

**U.S. PATENT DOCUMENTS**

- D437,854 S \* 2/2001 Han et al. .... D14/402
- 6,429,848 B2 \* 8/2002 Merminod et al. .... 345/157
- D471,556 S \* 3/2003 O’Keeffe et al. .... D14/408
- D491,184 S \* 6/2004 Shimizu ..... D14/402
- D512,064 S \* 11/2005 Li ..... D14/403
- D513,259 S \* 12/2005 Chen ..... D14/408
- D521,998 S \* 5/2006 Hirota ..... D14/402

- 7,075,526 B2 \* 7/2006 O’Keeffe et al. .... 345/184
- D533,554 S \* 12/2006 Sheehan et al. .... D14/409
- D540,326 S \* 4/2007 Chang ..... D14/410
- D549,228 S \* 8/2007 Yamagishi ..... D14/408
- D551,667 S \* 9/2007 Yahara ..... D14/410
- D553,621 S \* 10/2007 Shimizu ..... D14/408
- D562,823 S \* 2/2008 Yang ..... D14/409

**OTHER PUBLICATIONS**

Microsoft SideWinder Mouse, Sep. 2006, <http://www.expenglish.com/vb/showthread.php?t=730>.\*

\* cited by examiner

*Primary Examiner*—Cathron C Brooks

*Assistant Examiner*—Angela J Lee

(74) *Attorney, Agent, or Firm*—Banner & Witcoff, Ltd.

(57) **CLAIM**

The ornamental design for an electronic mouse, as shown and described.

**DESCRIPTION**

FIG. 1 is a front perspective view of a portion of an electronic mouse showing my new design;

FIG. 2 is a rear perspective view thereof;

FIG. 3 is a top view thereof;

FIG. 4 is a front view thereof;

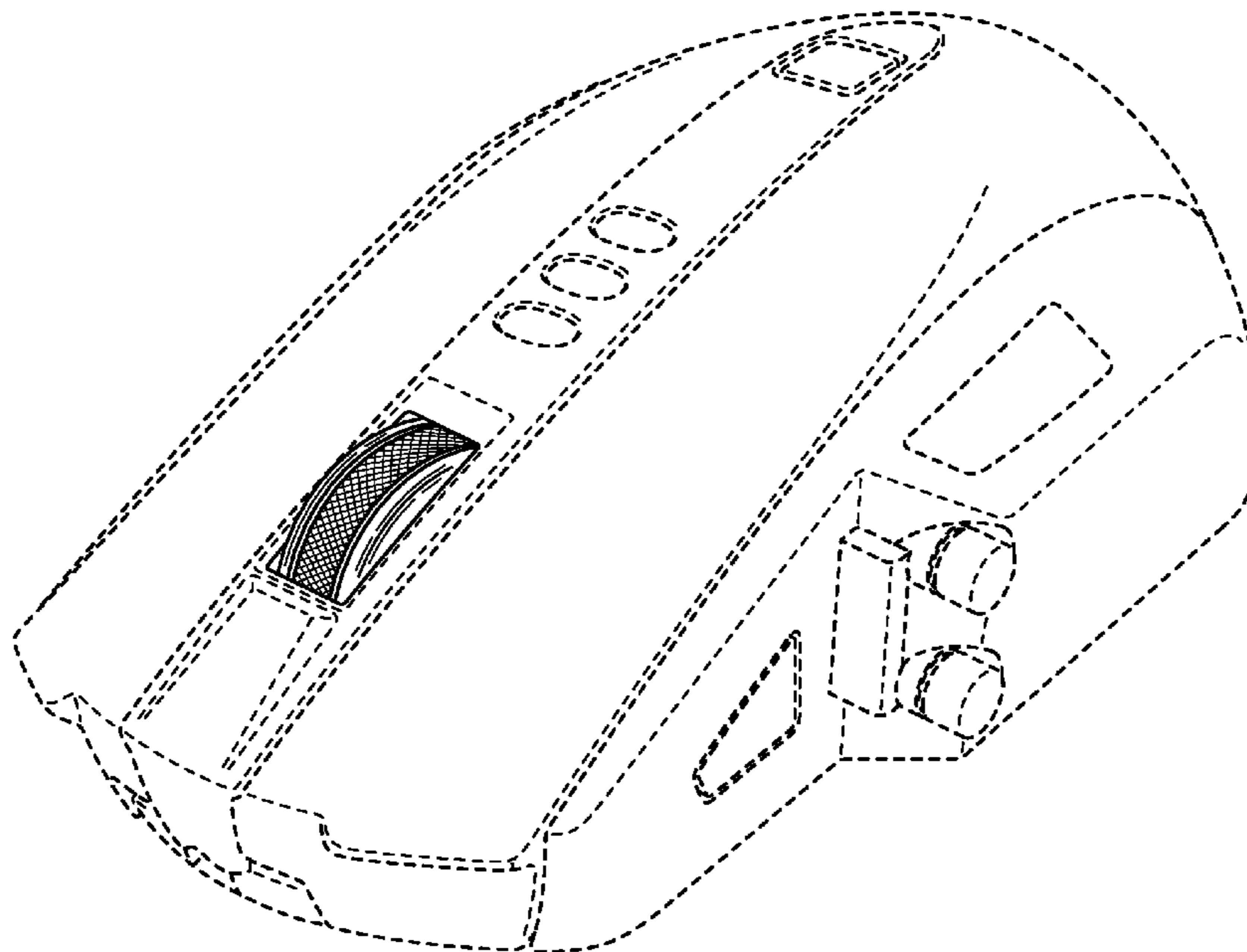
FIG. 5 is a right side view thereof;

FIG. 6 is a left side view thereof; and,

FIG. 7 is an enlarged view of the claimed portion of FIG. 1.

The broken line showing of various regions and the unshaded areas there within form no part of the claimed design.

**1 Claim, 5 Drawing Sheets**



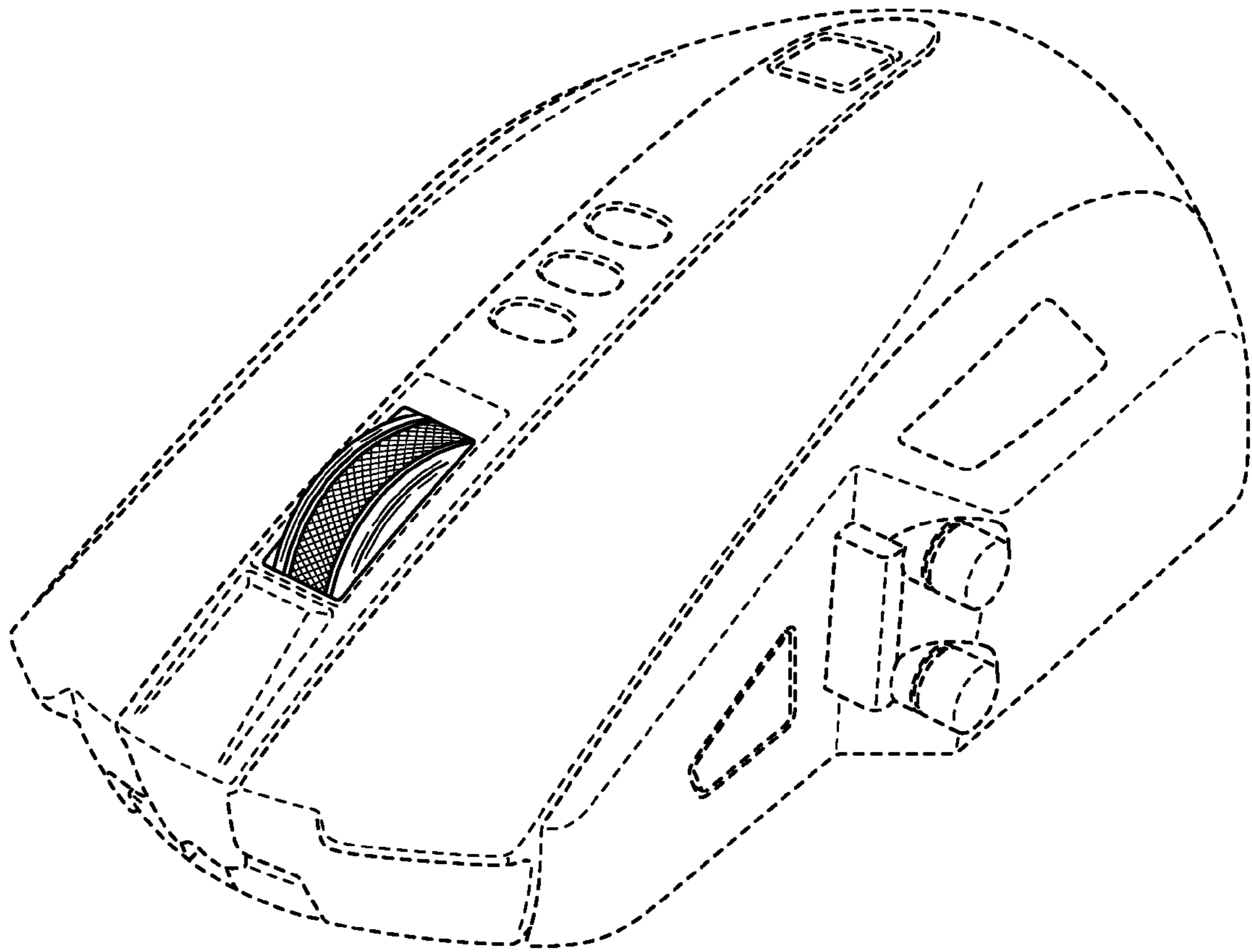


FIG. 1

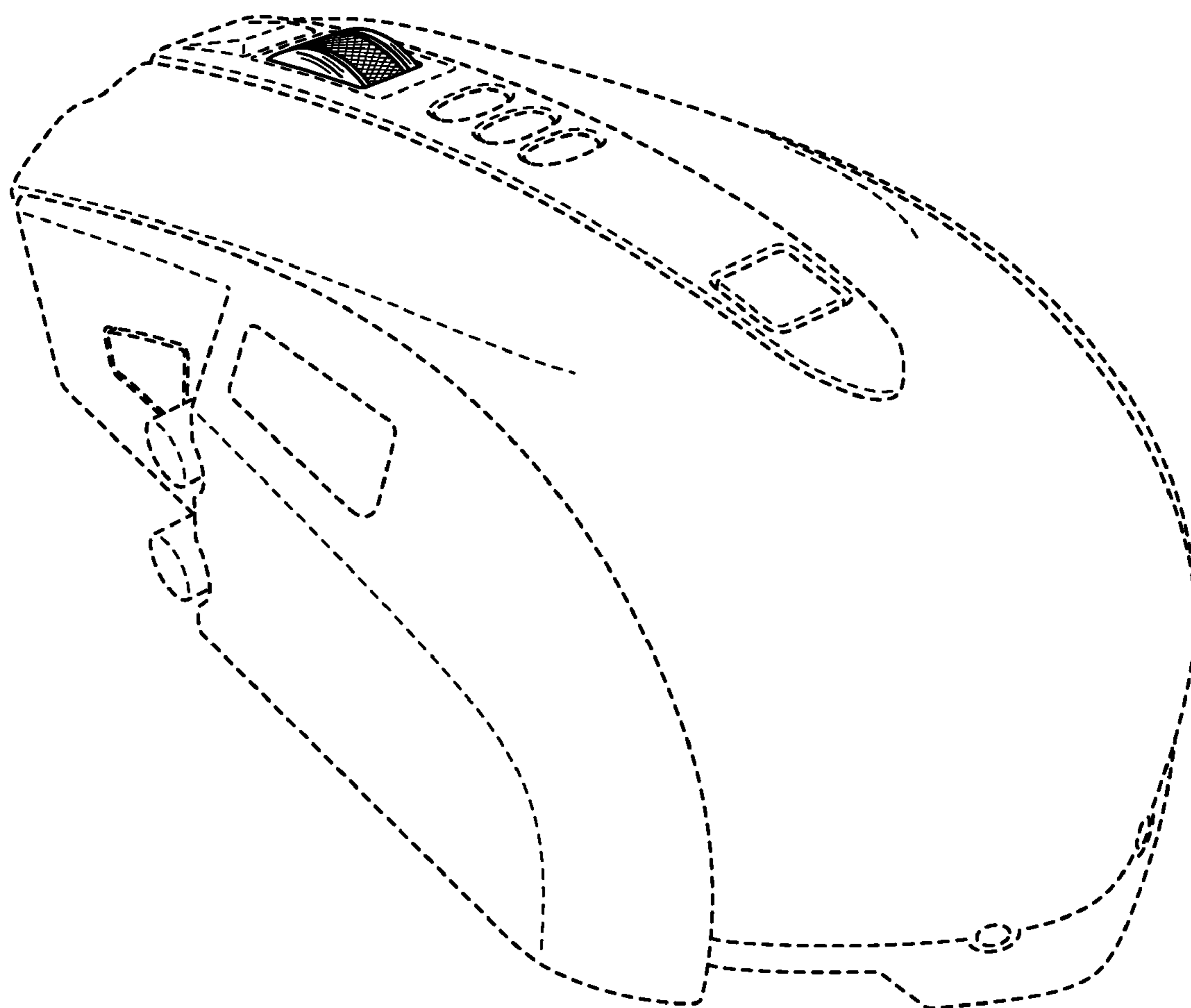


FIG. 2

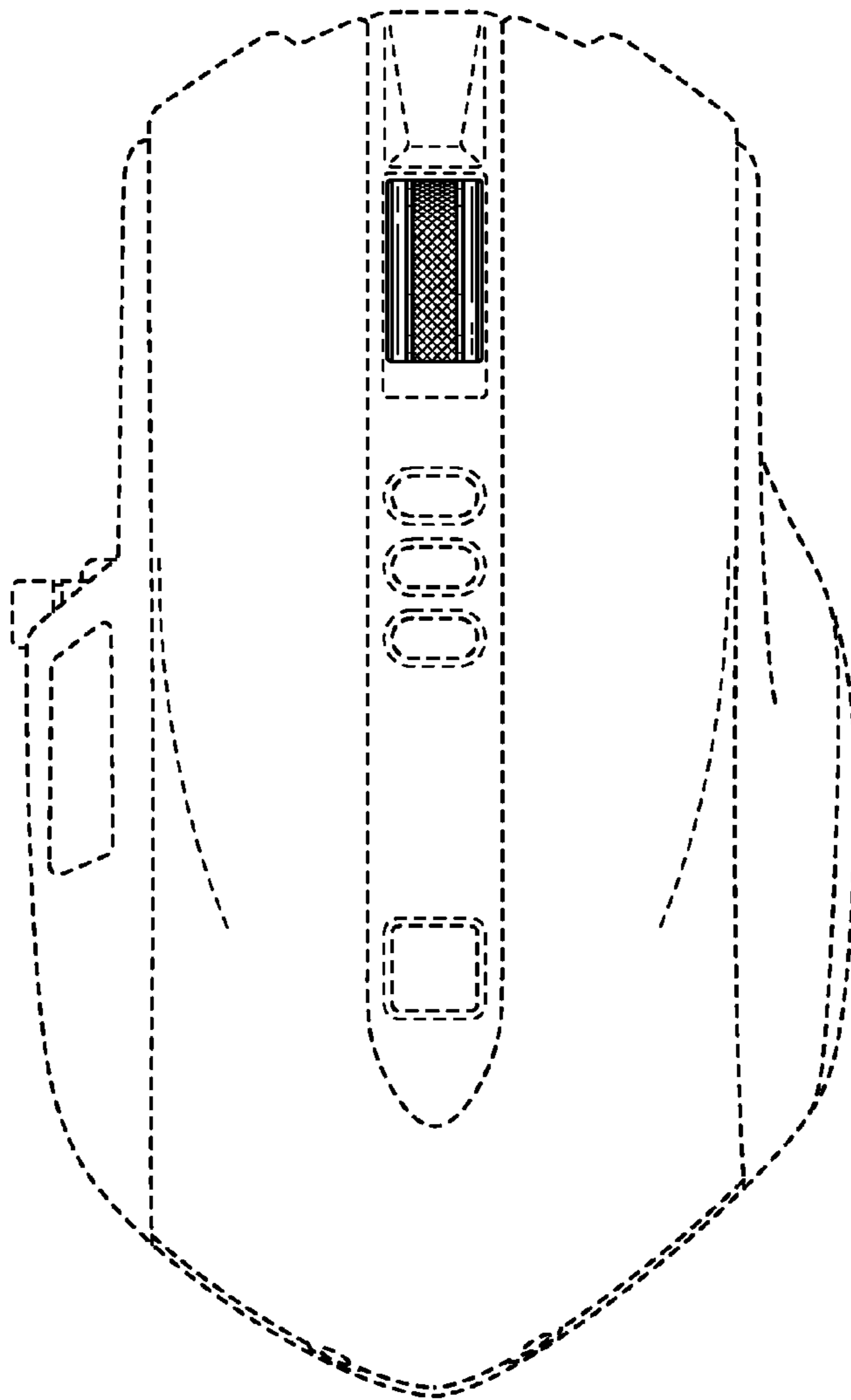


FIG. 3

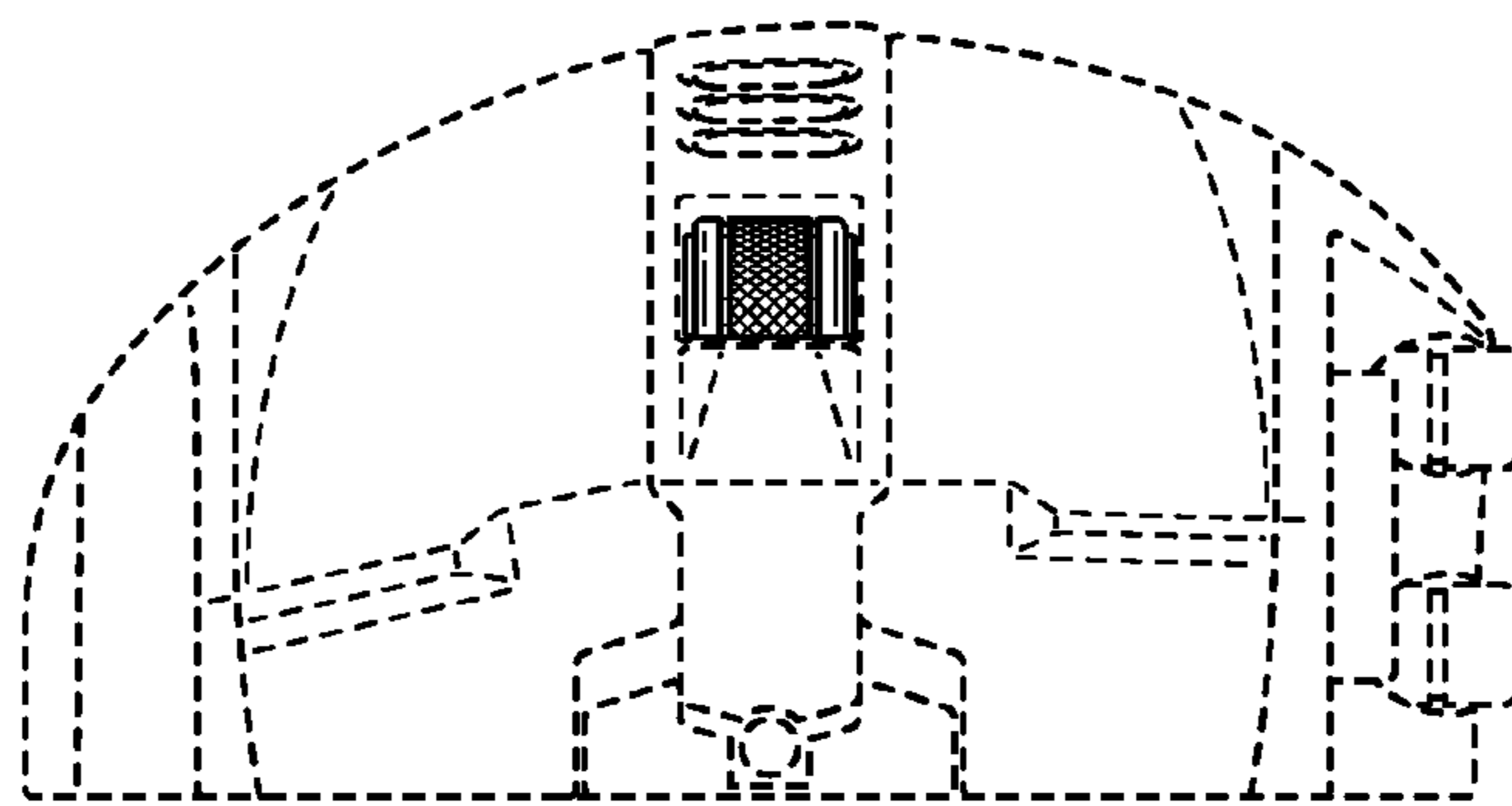


FIG. 4

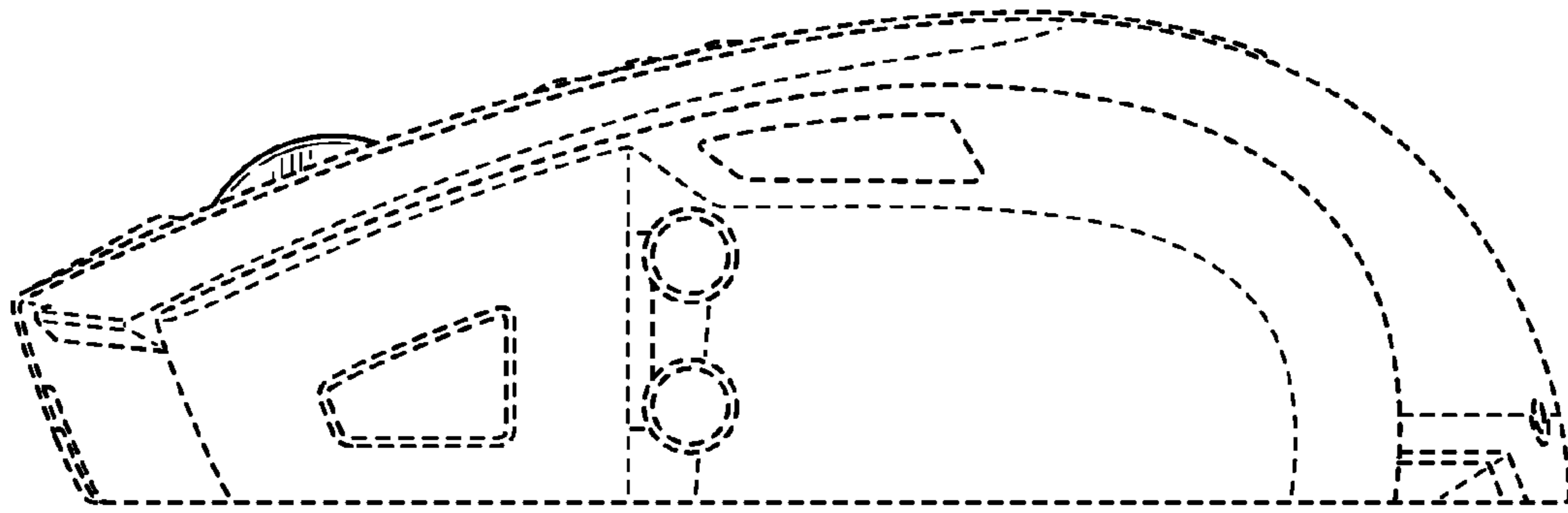


FIG. 5

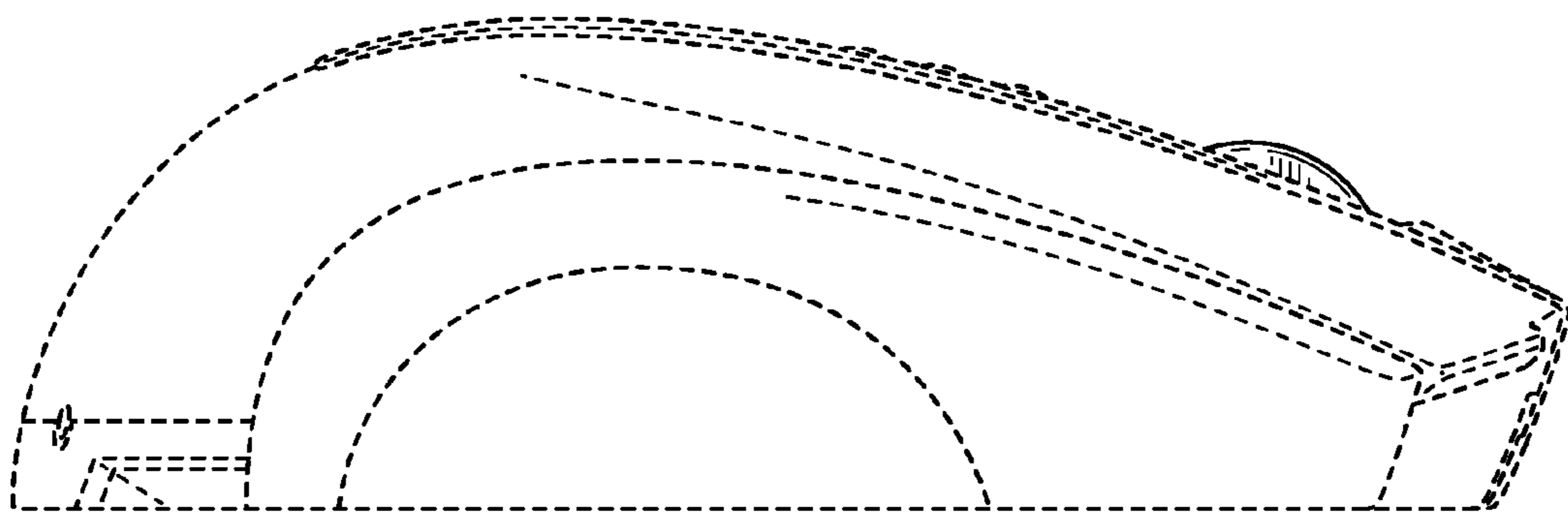


FIG. 6

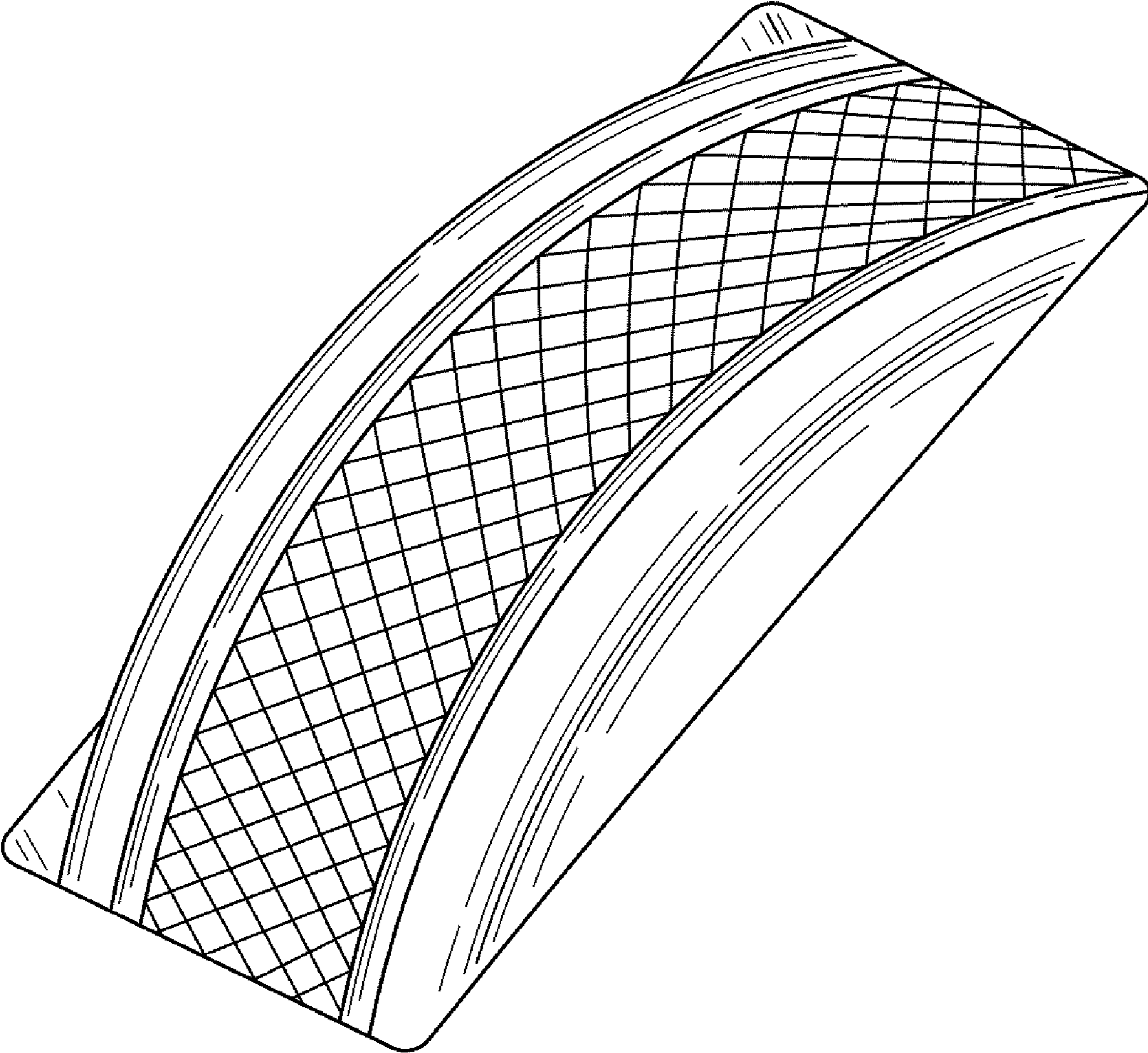


FIG. 7

UNITED STATES PATENT AND TRADEMARK OFFICE  
**CERTIFICATE OF CORRECTION**

PATENT NO. : Des. 591,297 S  
APPLICATION NO. : 29/298182  
DATED : April 28, 2009  
INVENTOR(S) : Gil Manalo

Page 1 of 1

It is certified that error appears in the above-identified patent and that said Letters Patent is hereby corrected as shown below:

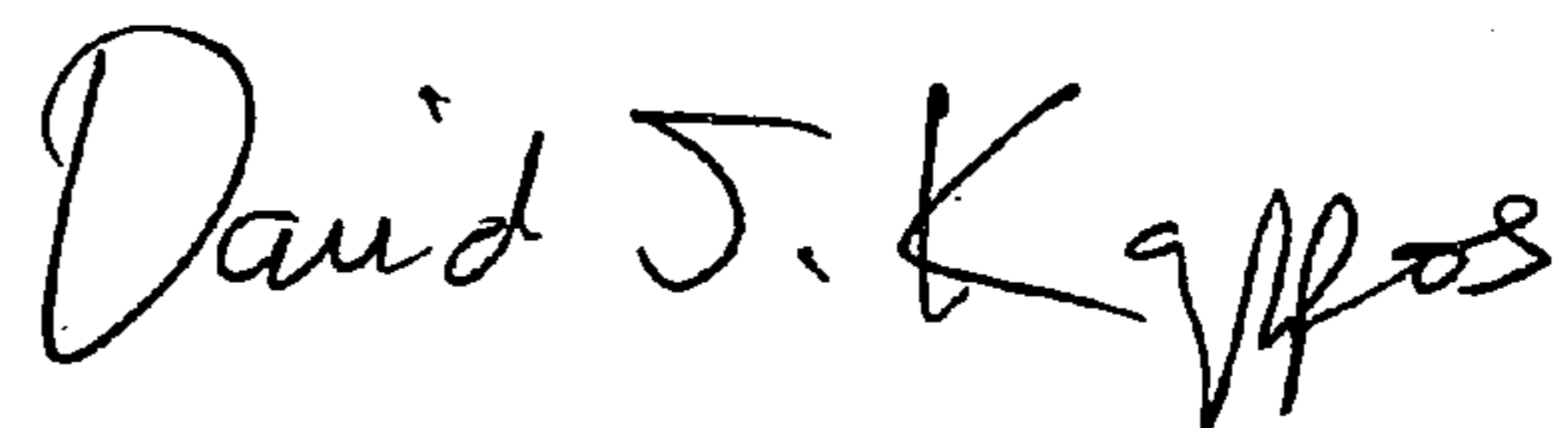
On the Title Page, Item 54:

“Electronic Mouse” has been replaced with

-- Portion of an Electronic Mouse --

Signed and Sealed this

Twenty-fifth Day of August, 2009



David J. Kappos  
*Director of the United States Patent and Trademark Office*