



US00D591296S

(12) **United States Design Patent**  
**Manalo**

(10) **Patent No.:** **US D591,296 S**

(45) **Date of Patent:** **\*\* Apr. 28, 2009**

(54) **ELECTRONIC MOUSE**

(75) Inventor: **Gil Manalo**, Redmond, WA (US)

(73) Assignee: **Microsoft Corporation**, Redmond, WA (US)

(\*\*) Term: **14 Years**

(21) Appl. No.: **29/298,179**

(22) Filed: **Nov. 30, 2007**

**Related U.S. Application Data**

(63) Continuation of application No. 29/283,987, filed on Aug. 28, 2007, now abandoned.

(51) **LOC (9) Cl.** ..... **14-02**

(52) **U.S. Cl.** ..... **D14/402**

(58) **Field of Classification Search** ..... D14/402, D14/403, 404, 405, 406, 407, 408, 409, 410, D14/411, 412, 413, 414, 415, 416, 388, 356, D14/357, 454, 389, 432; 345/156, 163, 164, 345/165, 166, 174, 179, 180; 463/36, 37, 463/38, 39; 273/148 B; 200/6 R; 74/471 XY; D21/333

See application file for complete search history.

(56) **References Cited**

**U.S. PATENT DOCUMENTS**

D471,556 S \* 3/2003 O’Keeffe et al. .... D14/408  
D503,716 S \* 4/2005 Chen ..... D14/402  
D505,679 S \* 5/2005 Klarke et al. .... D14/409  
D513,259 S \* 12/2005 Chen ..... D14/408  
D515,579 S \* 2/2006 Chang ..... D14/409  
7,075,526 B2 \* 7/2006 O’Keeffe et al. .... 345/184

D533,554 S \* 12/2006 Sheehan et al. .... D14/409  
D540,326 S \* 4/2007 Chang ..... D14/410  
D542,793 S \* 5/2007 Fisher et al. .... D14/402  
D552,095 S \* 10/2007 Sheehan et al. .... D14/409  
2004/0051696 A1 \* 3/2004 O’Keeffe et al. .... 345/163  
2006/0038779 A1 \* 2/2006 Li ..... 345/163  
2006/0244726 A1 \* 11/2006 Wang et al. .... 345/163

**OTHER PUBLICATIONS**

Microsoft SideWinder Mouse, Sep. 2006, <http://www.expenglish.com/vb/showthread.php?t=730>.\*

\* cited by examiner

*Primary Examiner*—Cathron C Brooks

*Assistant Examiner*—Angela J Lee

(74) *Attorney, Agent, or Firm*—Banner & Witcoff, Ltd.

(57) **CLAIM**

The ornamental design for a electronic mouse, as shown and described.

**DESCRIPTION**

FIG. 1 is a front perspective view of a electronic mouse showing my new design;

FIG. 2 is a rear perspective view thereof;

FIG. 3 is a top view thereof;

FIG. 4 is a right side view thereof;

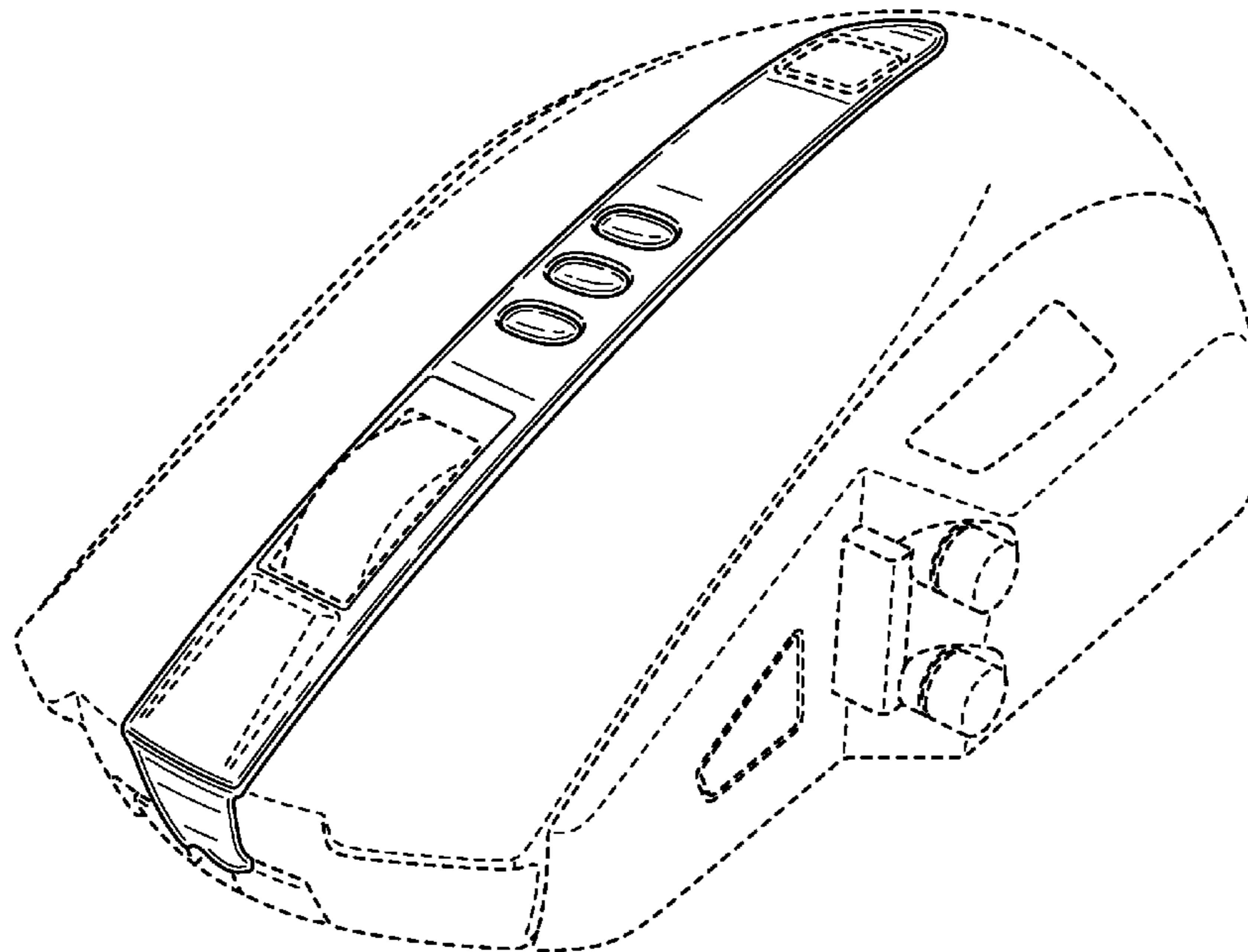
FIG. 5 is a left side view thereof;

FIG. 6 is a front view thereof; and,

FIG. 7 is a rear view thereof.

The unshown bottom forms no part of the claimed design. The broken line showing of various regions and the unshaded areas there within form no part of the claimed design.

**1 Claim, 5 Drawing Sheets**



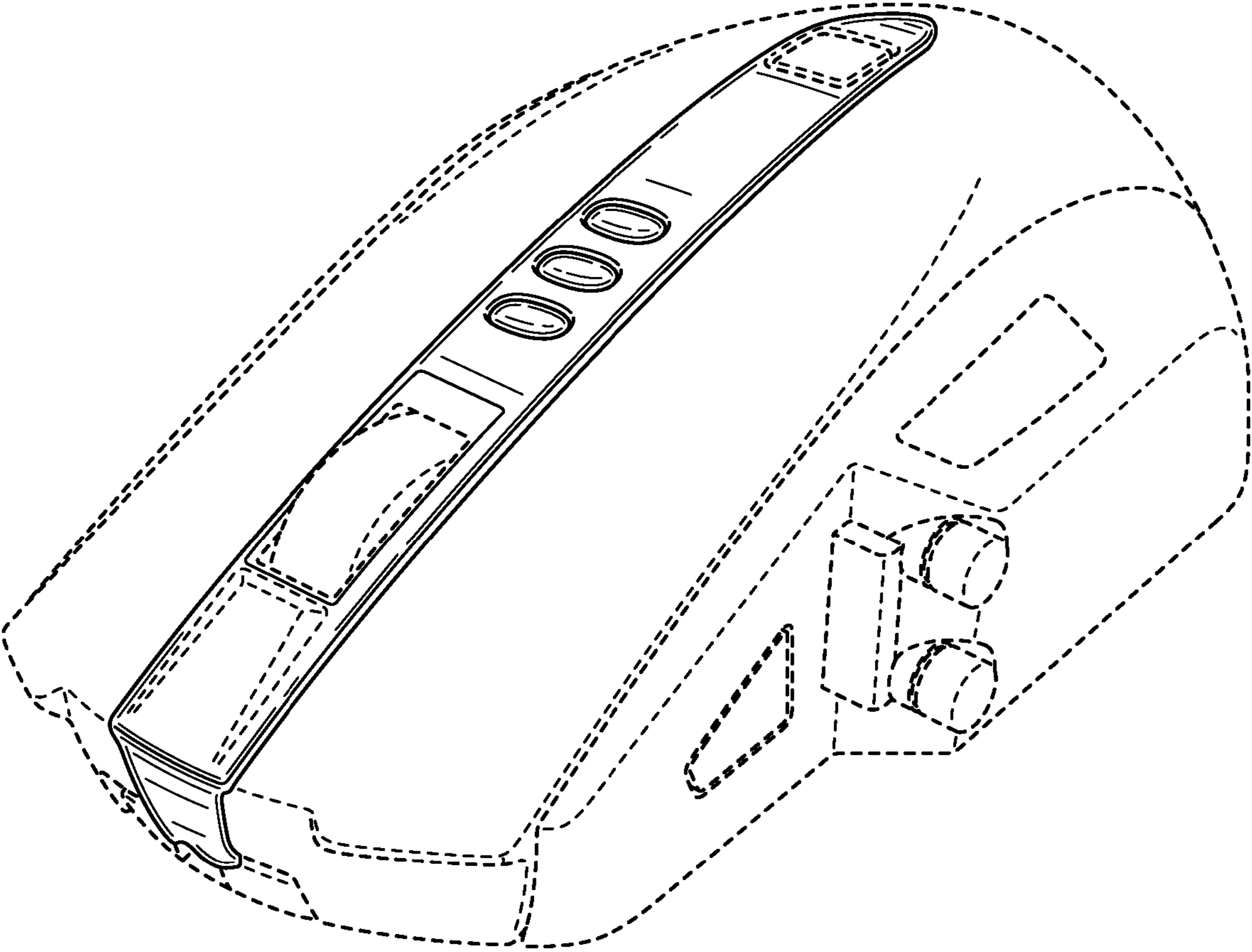


FIG. 1

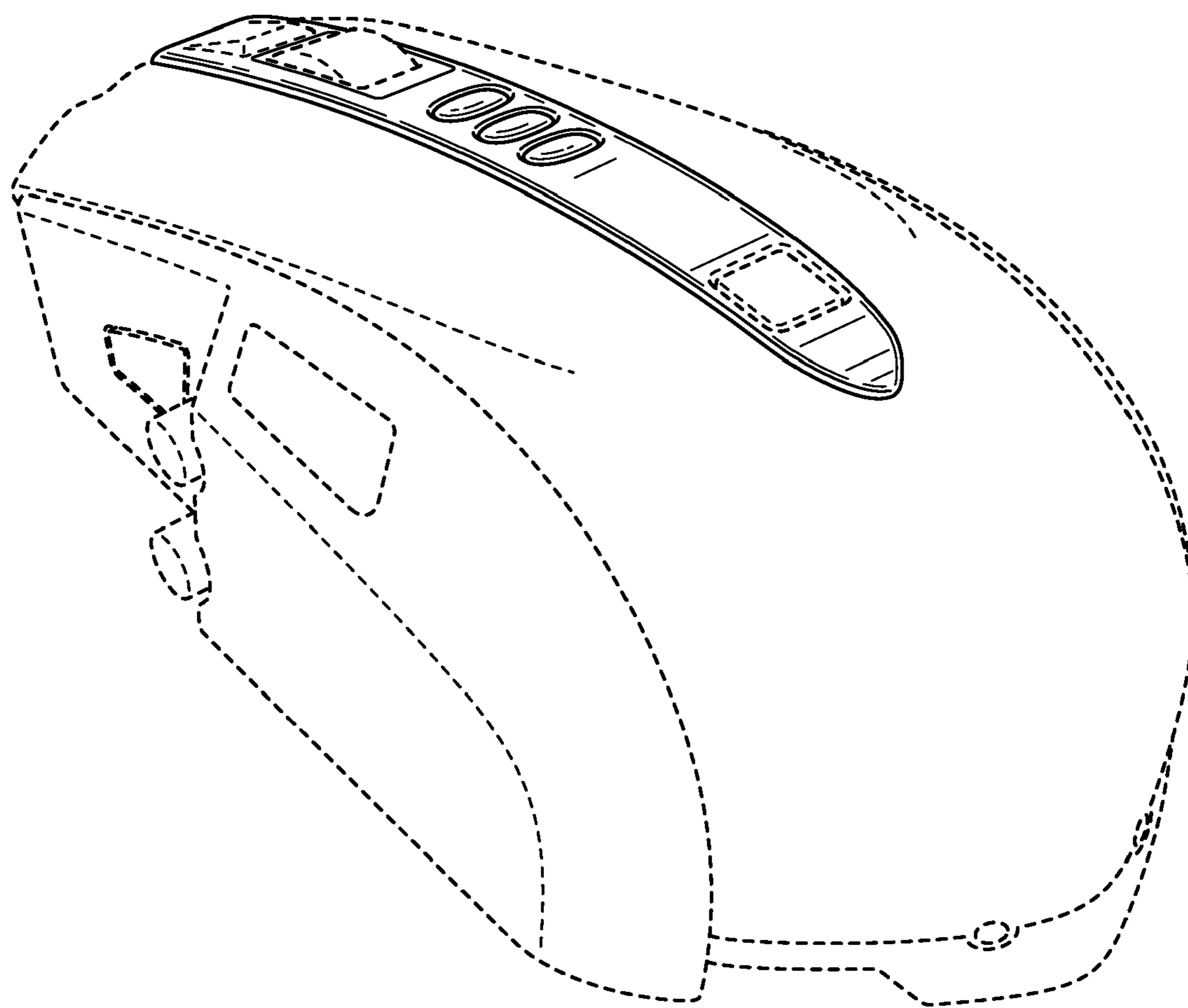


FIG. 2

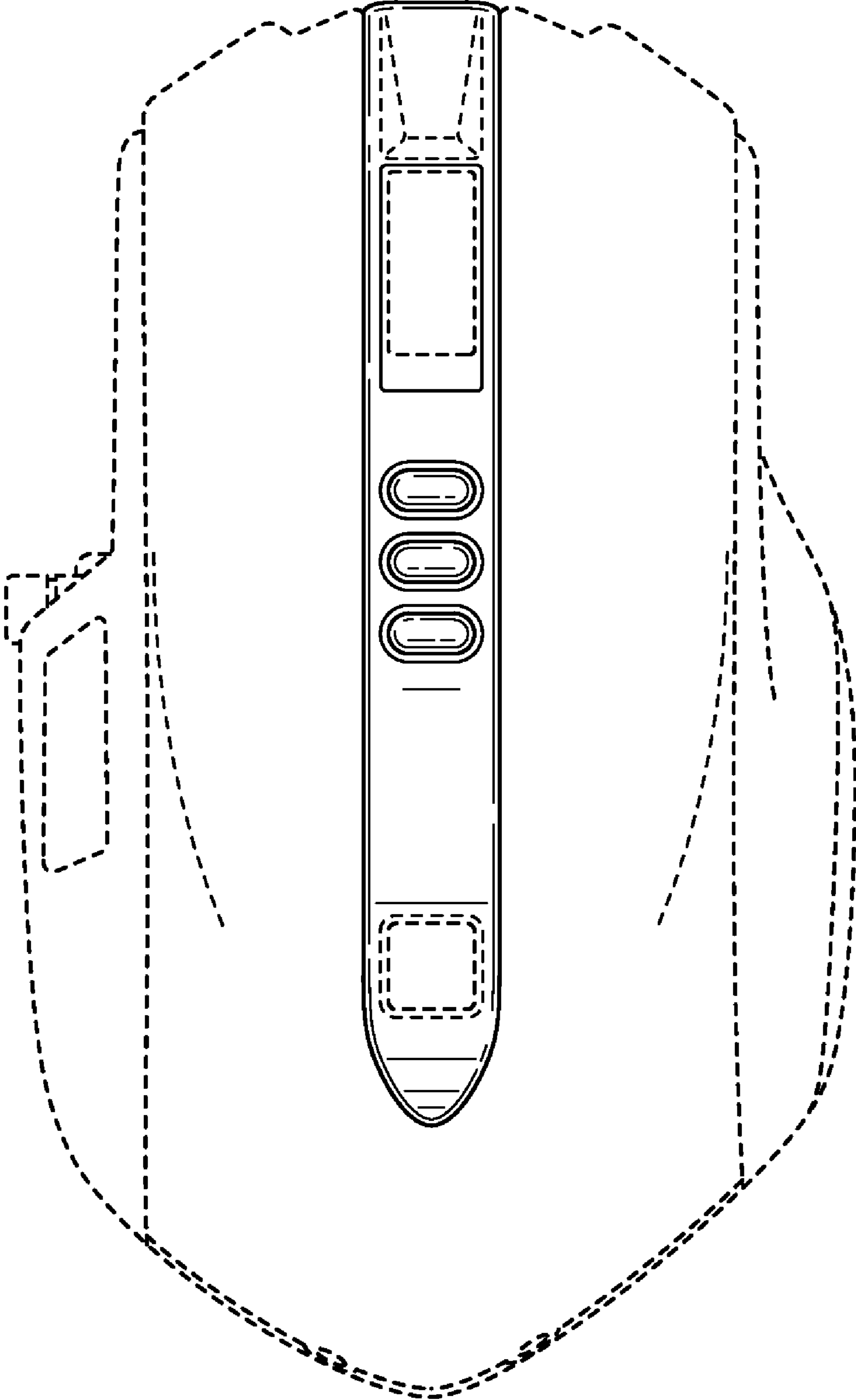


FIG. 3

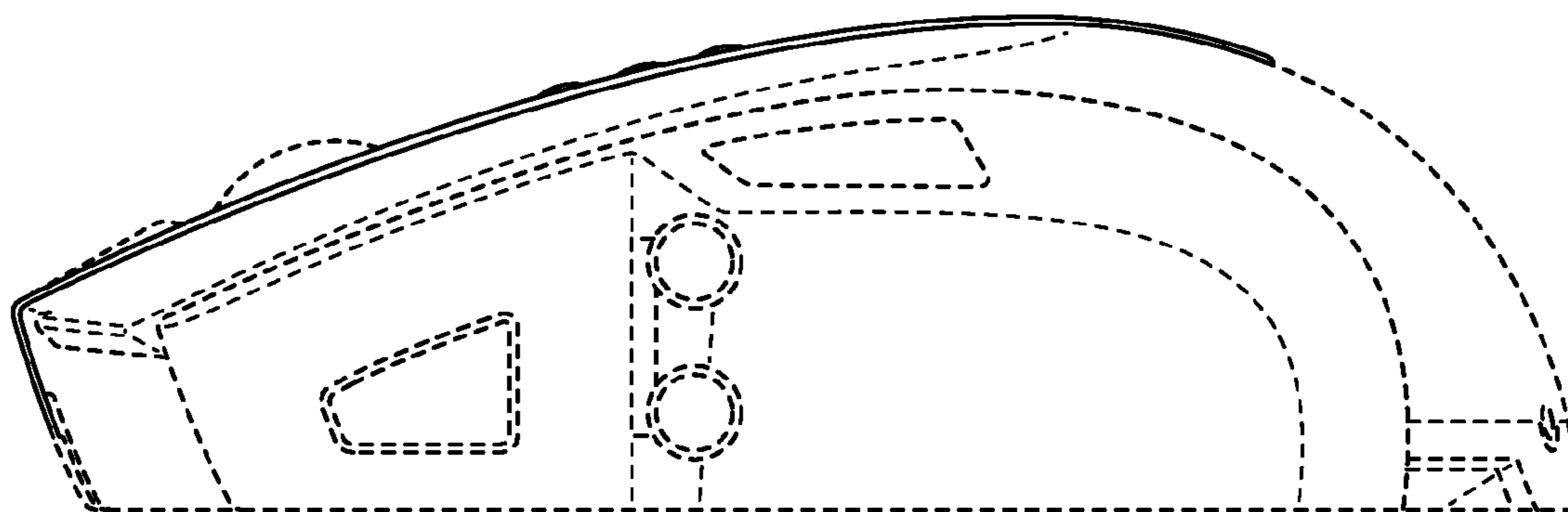


FIG. 4

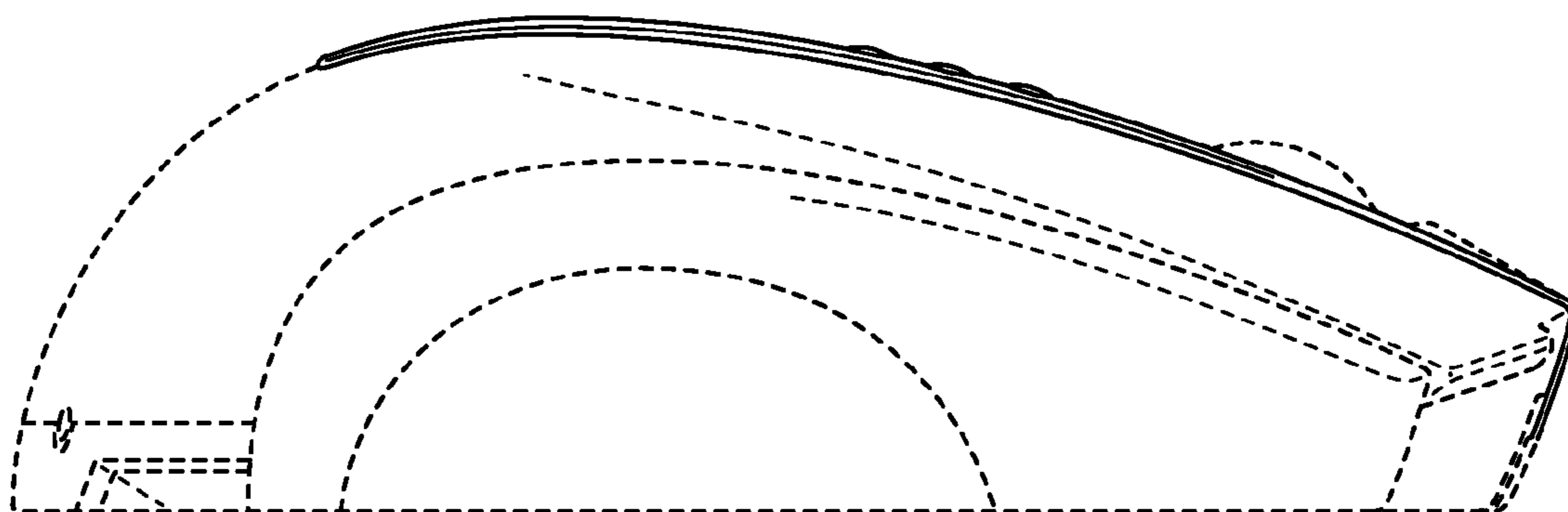


FIG. 5

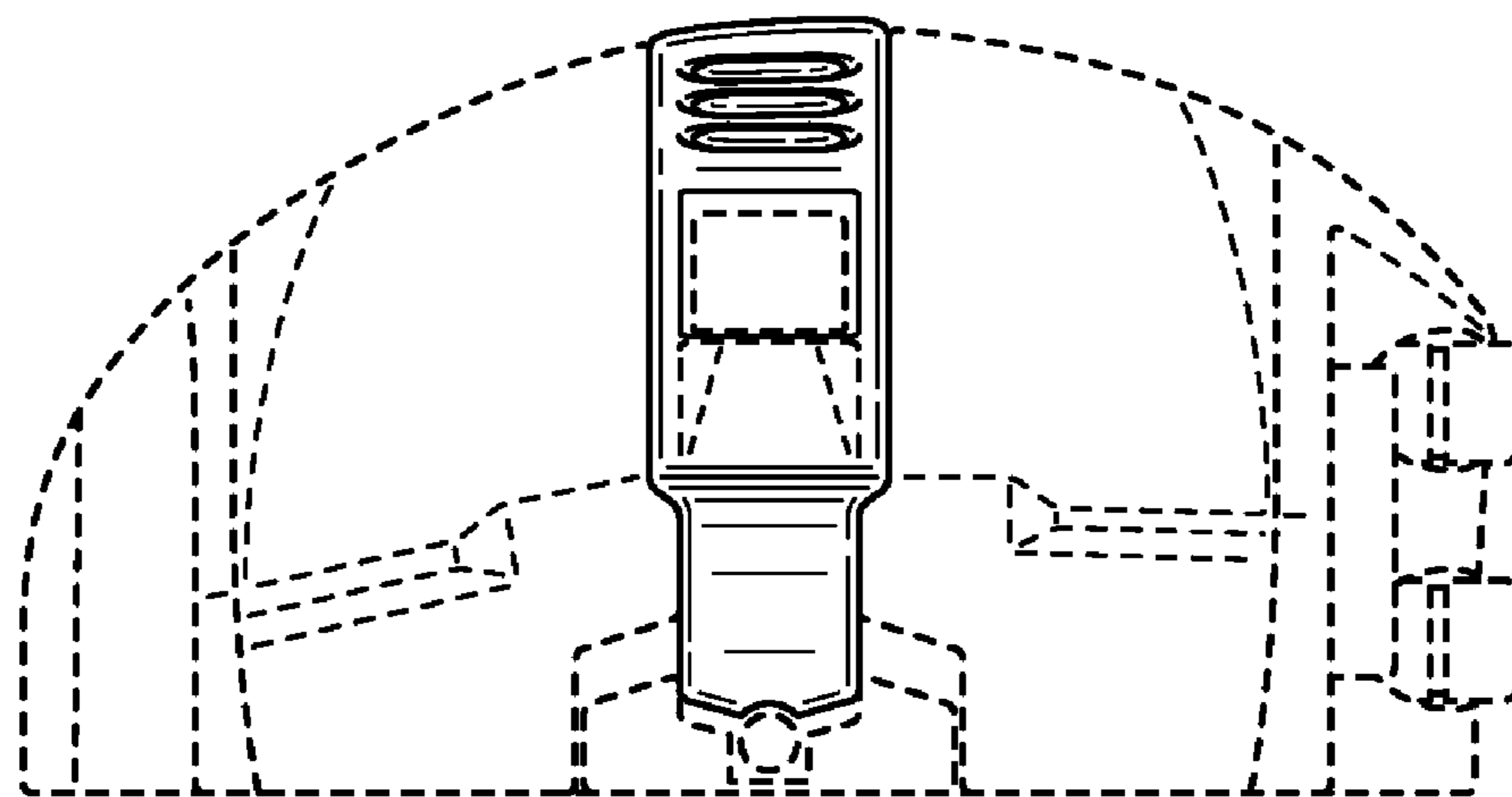


FIG. 6

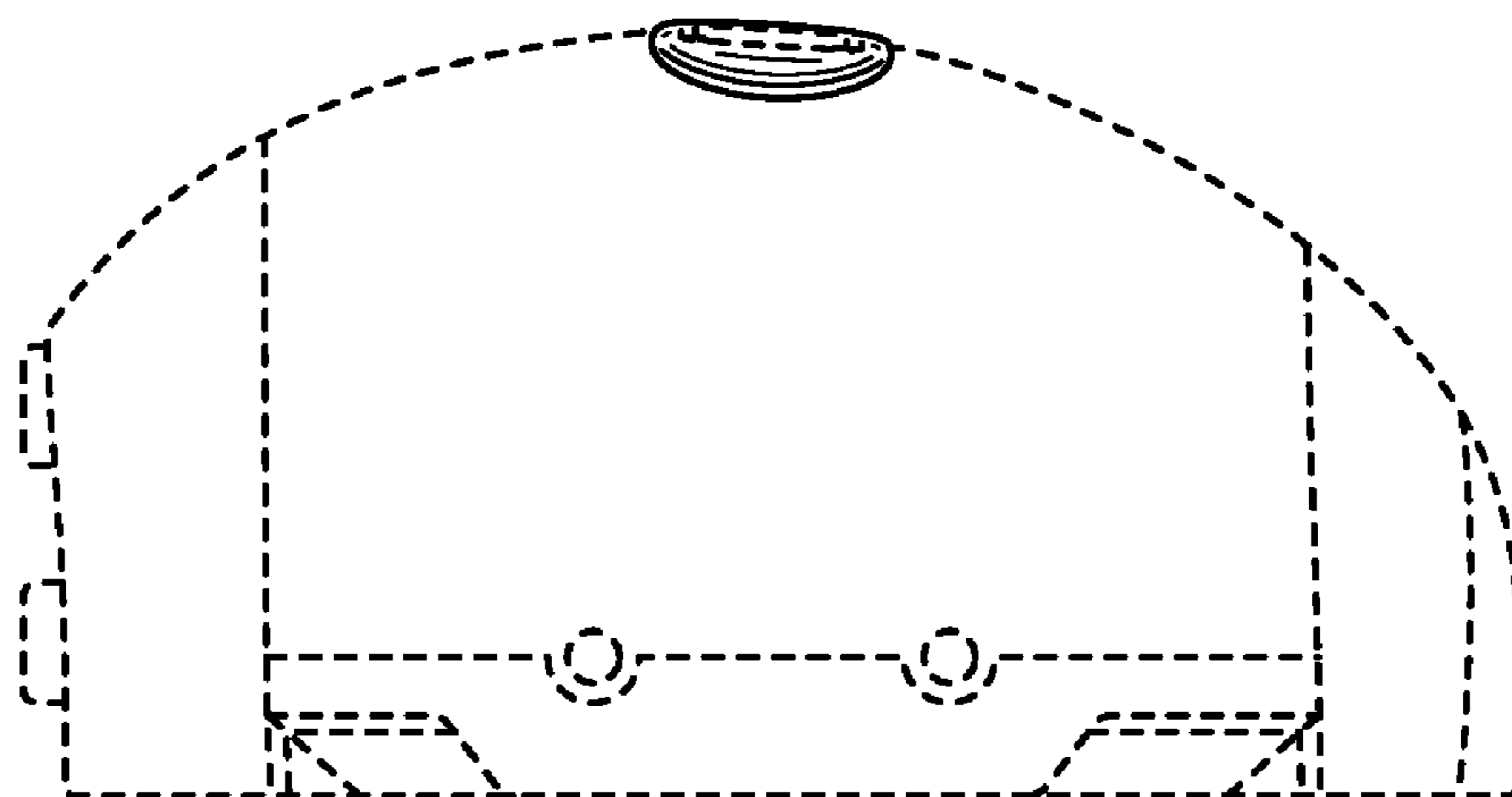


FIG. 7