

US00D591295S

(12) **United States Design Patent**
Manalo

(10) **Patent No.:** **US D591,295 S**
(45) **Date of Patent:** **** Apr. 28, 2009**

(54) **ELECTRONIC MOUSE**

(75) Inventor: **Gil Manalo**, Redmond, WA (US)

(73) Assignee: **Microsoft Corporation**, Redmond, WA (US)

(**) Term: **14 Years**

(21) Appl. No.: **29/298,176**

(22) Filed: **Nov. 30, 2007**

Related U.S. Application Data

(63) Continuation of application No. 29/283,987, filed on Aug. 28, 2007, now abandoned.

(51) **LOC (9) Cl.** **14-02**

(52) **U.S. Cl.** **D14/402**

(58) **Field of Classification Search** D14/402, D14/403, 404, 405, 406, 407, 408, 409, 410, D14/411, 412, 413, 414, 415, 416, 388, 356, D14/357, 454, 389, 432; 345/156, 163, 164, 345/165, 166, 174, 179, 180; 463/36, 37, 463/38, 39; 273/148 B; 200/6 R; 74/471 XY; D21/333

See application file for complete search history.

(56) **References Cited**

U.S. PATENT DOCUMENTS

D411,525 S * 6/1999 Franklin D41/409
D433,413 S * 11/2000 Rozenberg et al. D14/402
D450,321 S * 11/2001 Fisher et al. D14/402
D450,699 S * 11/2001 Fisher et al. D14/402
D471,556 S * 3/2003 O’Keeffe et al. D14/408
D533,554 S * 12/2006 Sheehan et al. D14/409

D540,326 S * 4/2007 Chang D14/410
D542,793 S * 5/2007 Fisher et al. D14/402
D543,205 S * 5/2007 Fisher D14/402
D544,483 S * 6/2007 Fisher et al. D14/409
D562,325 S * 2/2008 Kuchler D14/409
D562,821 S * 2/2008 Fisher et al. D14/408
D562,822 S * 2/2008 Canavan et al. D14/409

OTHER PUBLICATIONS

Microsoft SideWinder Mouse, Sep. 2006, <http://www.expenglish.com/vb/showthread.php?t=730>.*

* cited by examiner

Primary Examiner—Cathron C Brooks

Assistant Examiner—Angela J Lee

(74) *Attorney, Agent, or Firm*—Banner & Witcoff, Ltd.

(57) **CLAIM**

The ornamental design for a electronic mouse, as shown and described.

DESCRIPTION

FIG. 1 is a front perspective view of a electronic mouse showing my new design;

FIG. 2 is a rear perspective view thereof;

FIG. 3 is a top view thereof;

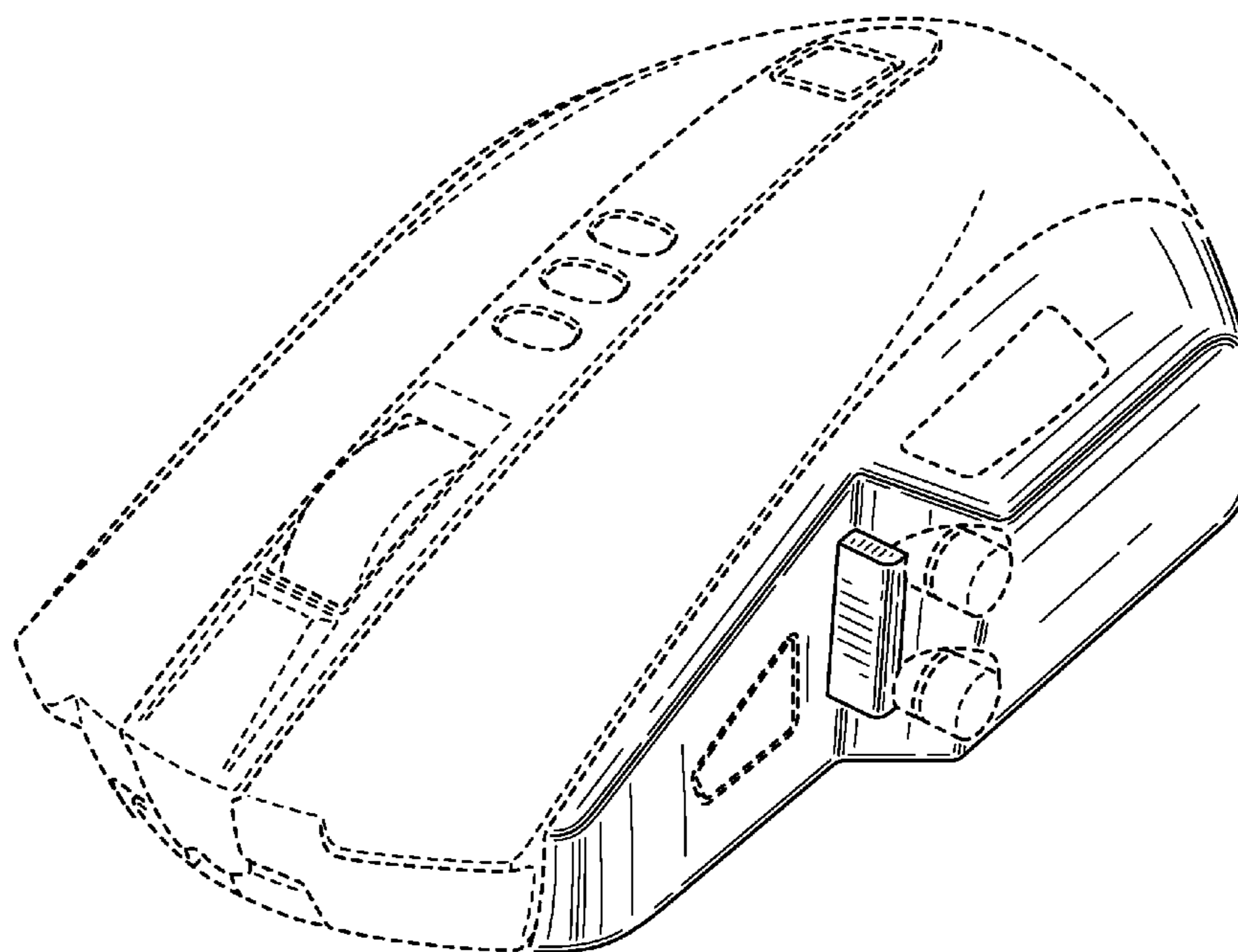
FIG. 4 is a right side view thereof;

FIG. 5 is front view thereof; and,

FIG. 6 is a rear view thereof.

The unshown bottom forms no part of the claimed design. The broken line showing of various regions and the unshaded areas there within form no part of the claimed design.

1 Claim, 4 Drawing Sheets



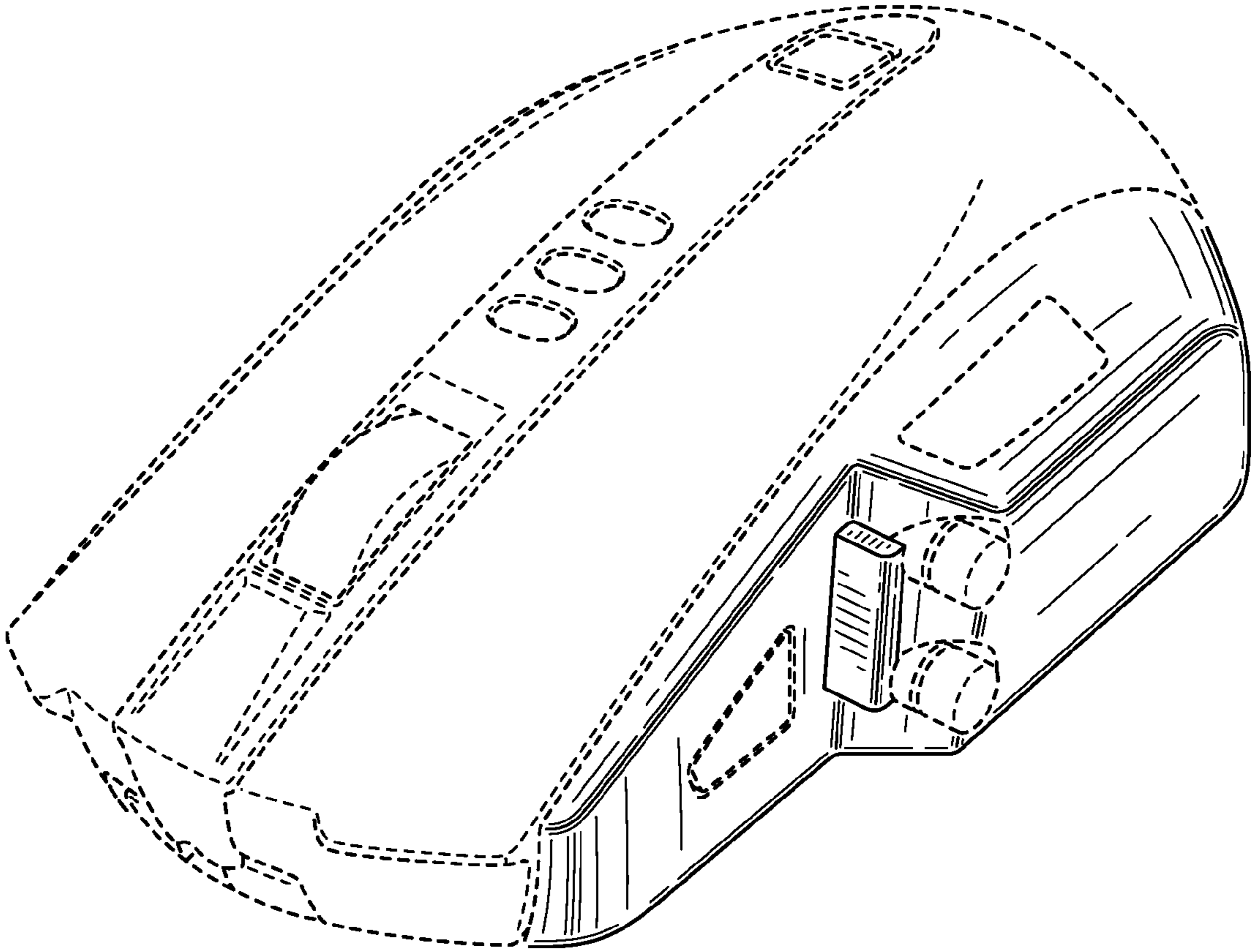


FIG. 1

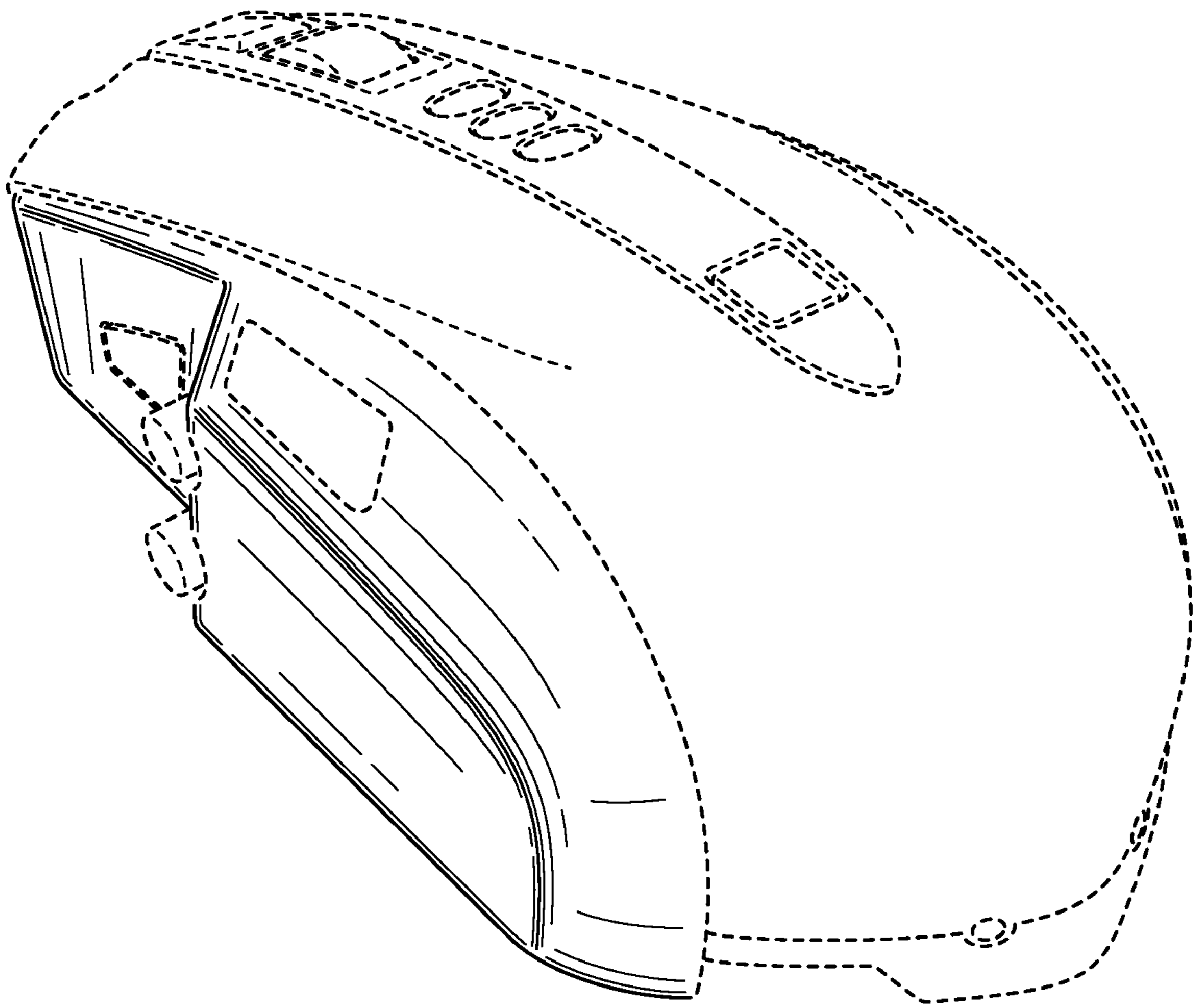


FIG. 2

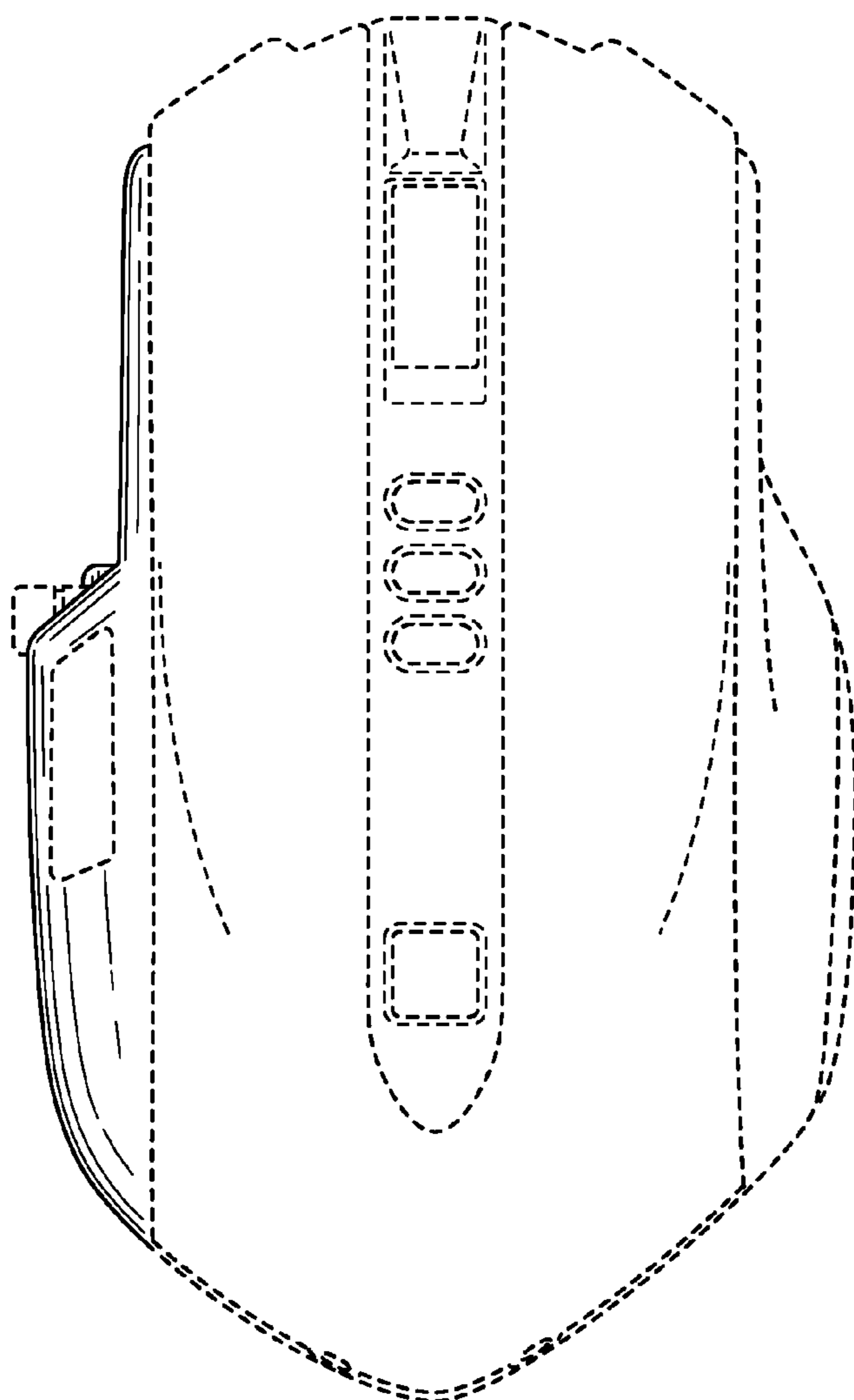


FIG. 3

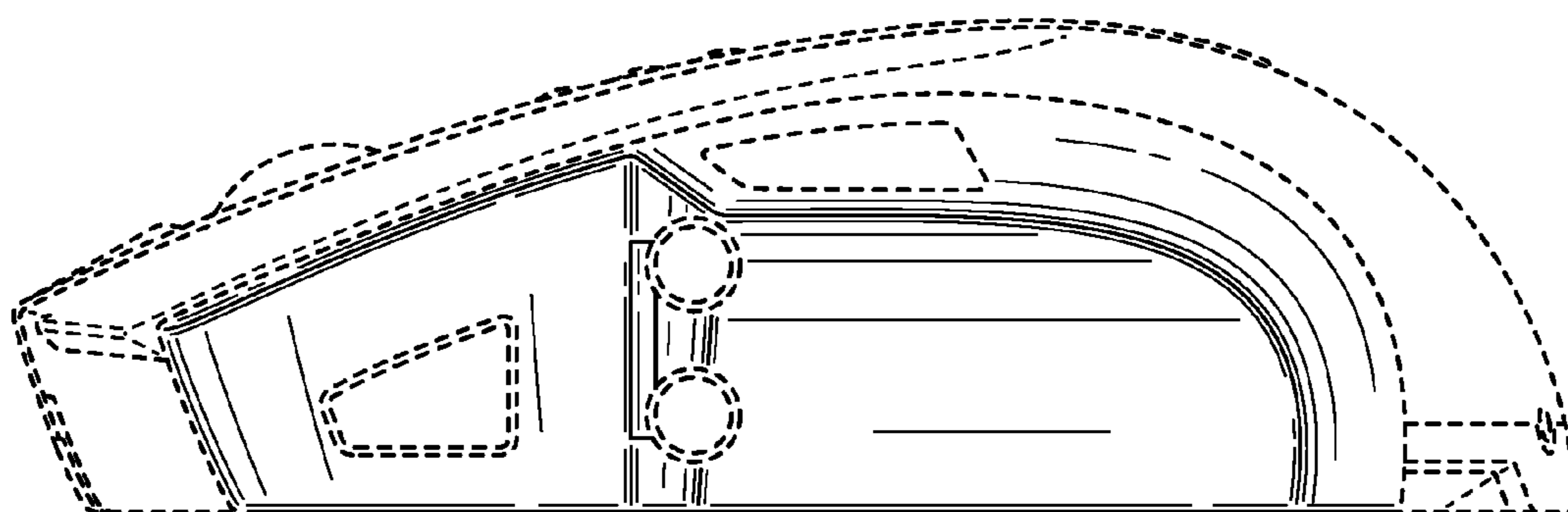


FIG. 4

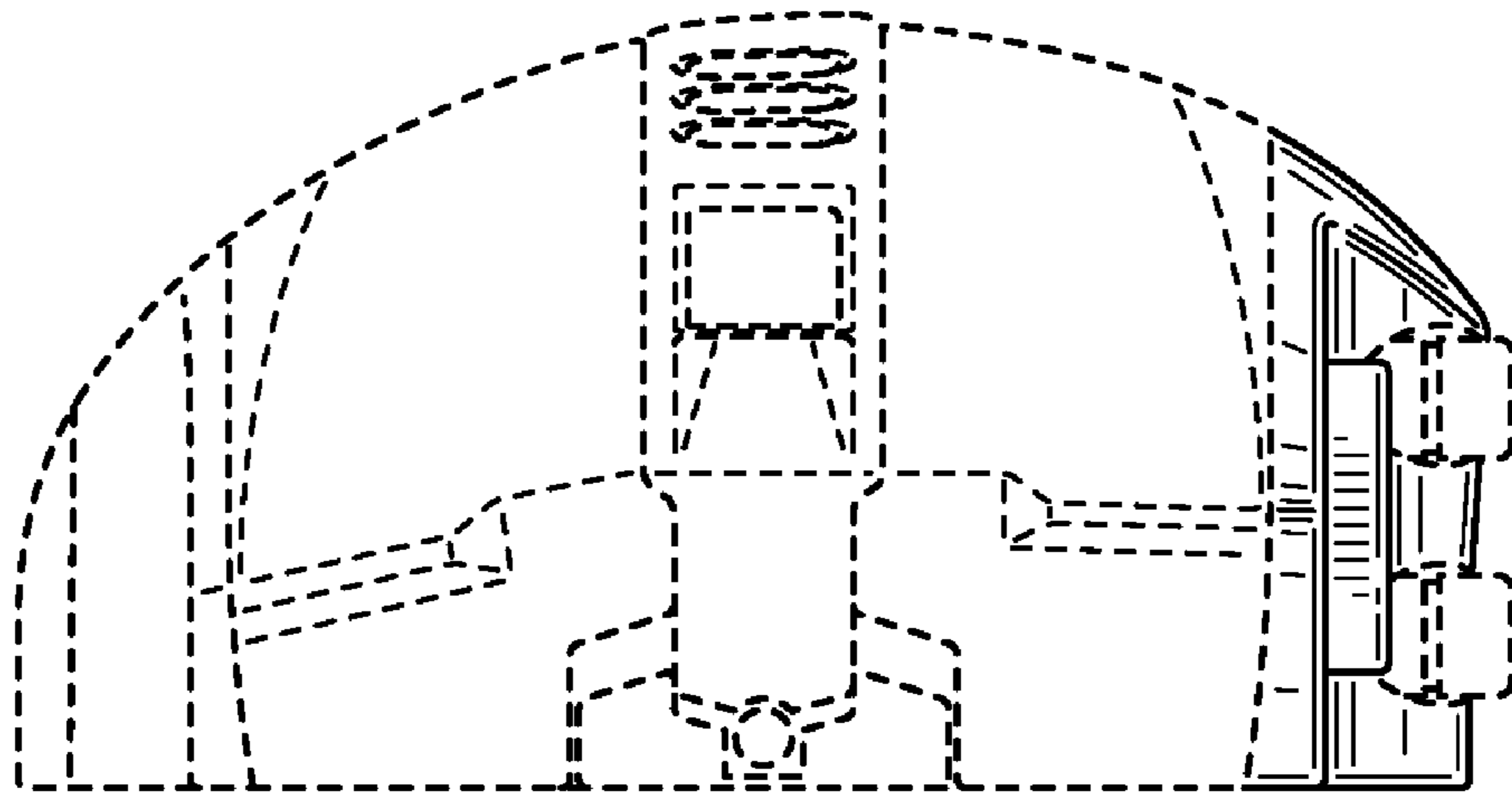


FIG. 5

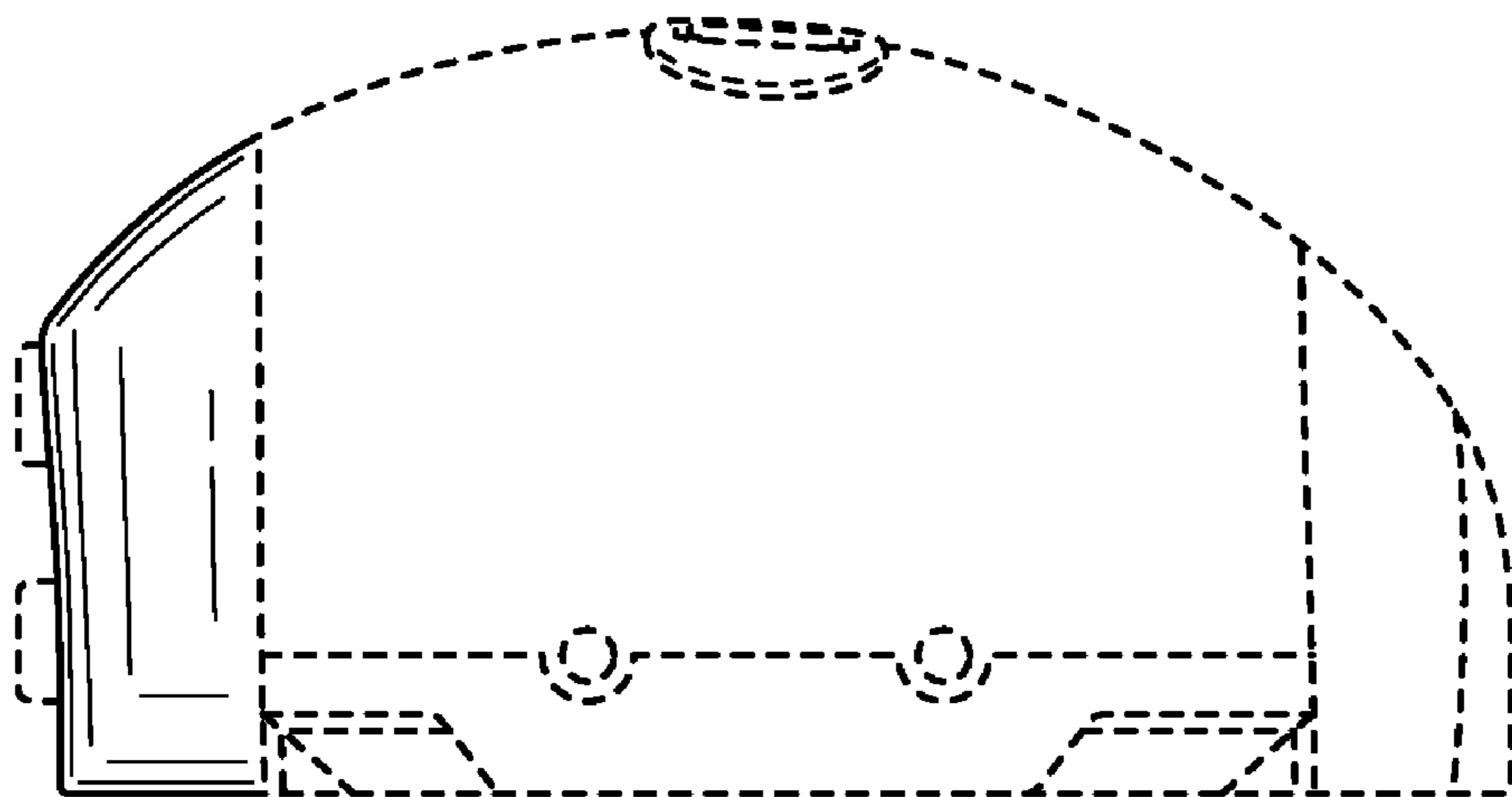


FIG. 6