



US00D591294S

(12) **United States Design Patent**
Manalo

(10) **Patent No.:** **US D591,294 S**

(45) **Date of Patent:** **** *Apr. 28, 2009**

(54) **ELECTRONIC MOUSE**

(75) Inventor: **Gil Manalo**, Redmond, WA (US)

(73) Assignee: **Microsoft Corporation**, Redmond, WA (US)

(*) Notice: This patent is subject to a terminal disclaimer.

(**) Term: **14 Years**

(21) Appl. No.: **29/298,175**

(22) Filed: **Nov. 30, 2007**

Related U.S. Application Data

(63) Continuation of application No. 29/283,987, filed on Aug. 28, 2007.

(51) **LOC (9) Cl.** **14-02**

(52) **U.S. Cl.** **D14/402**

(58) **Field of Classification Search** D14/402, D14/403, 404, 405, 406, 407, 408, 409, 410, D14/411, 412, 413, 414, 415, 416, 388, 356, D14/357, 454, 389, 432; 345/156, 163, 164, 345/165, 166, 174, 179, 180; 463/36, 37, 463/38, 39; 283/148 B; 200/6 R; 74/471 XY; D21/333

See application file for complete search history.

(56) **References Cited**

U.S. PATENT DOCUMENTS

- D411,525 S * 6/1999 Franklin D14/409
- D471,556 S * 3/2003 O’Keeffe et al. D14/408
- D533,554 S * 12/2006 Sheehan et al. D14/409
- D540,326 S * 4/2007 Chang D14/410
- D542,793 S * 5/2007 Fisher et al. D14/402

- D543,205 S * 5/2007 Fisher D14/402
- D544,483 S * 6/2007 Fisher et al. D14/409
- D558,205 S * 12/2007 Huang D14/408
- D562,325 S * 2/2008 Kuchler D14/409
- D562,820 S * 2/2008 Fisher et al. D14/408
- D562,821 S * 2/2008 Fisher et al. D14/408
- D562,822 S * 2/2008 Canavan et al. D14/409
- 2004/0051696 A1 * 3/2004 O’Keeffe et al. 345/163

OTHER PUBLICATIONS

Microsoft SideWinder Mouse, Sep. 2006, <http://www.expenglish.com/vb/showthread.php?t=730>.*

* cited by examiner

Primary Examiner—Cathron C Brooks

Assistant Examiner—Angela J Lee

(74) *Attorney, Agent, or Firm*—Banner & Witcoff, Ltd.

(57) **CLAIM**

The ornamental design for an electronic mouse, as shown and described.

DESCRIPTION

FIG. 1 is a front perspective view of an electronic mouse showing my new design;

FIG. 2 is a rear perspective view thereof;

FIG. 3 is a top view thereof;

FIG. 4 is a right side view thereof;

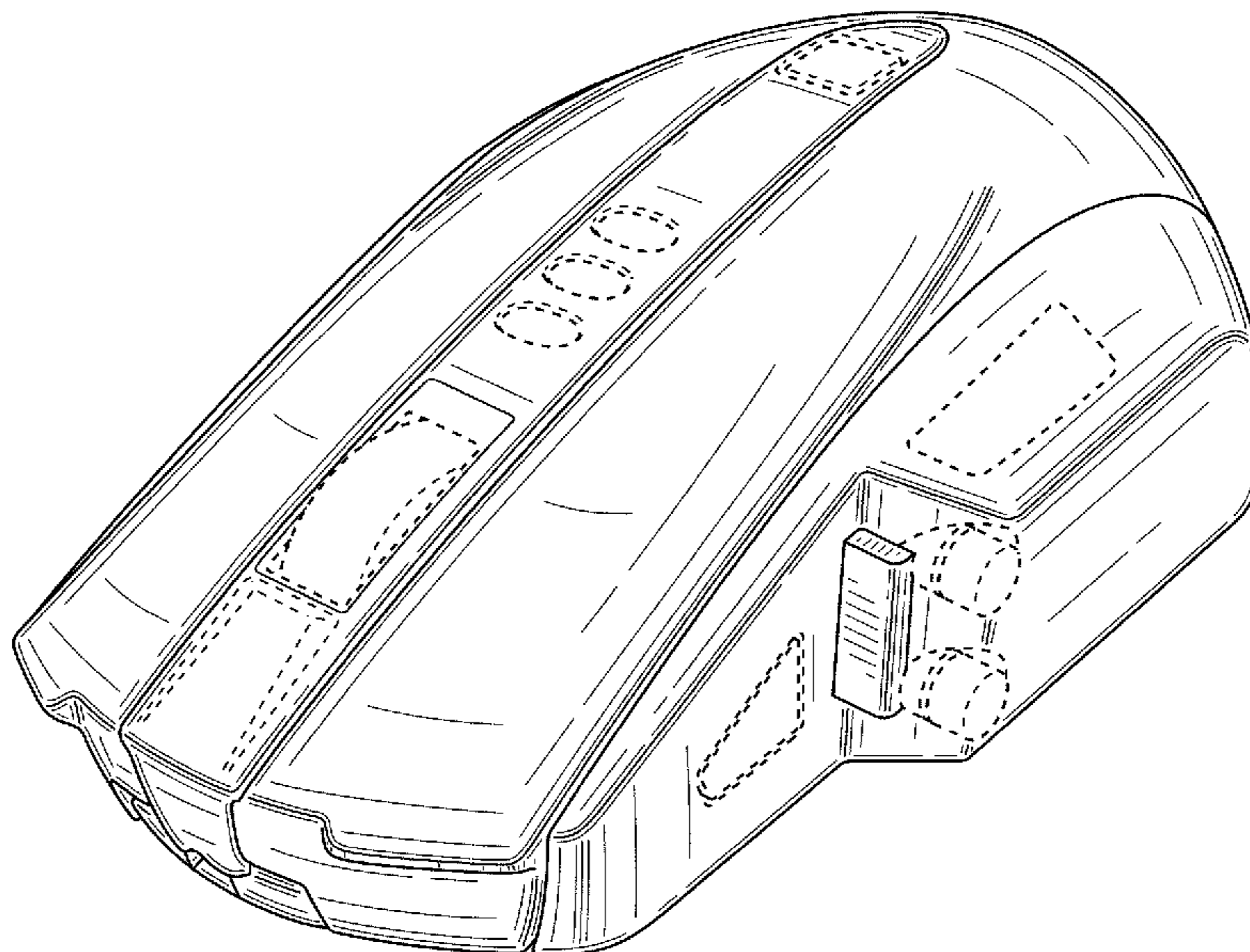
FIG. 5 is a left side view thereof;

FIG. 6 is front view thereof; and,

FIG. 7 is a rear view thereof.

The unshown bottom forms no part of the claimed design. The broken line showing of various regions and the unshaded areas there within form no part of the claimed design.

1 Claim, 5 Drawing Sheets



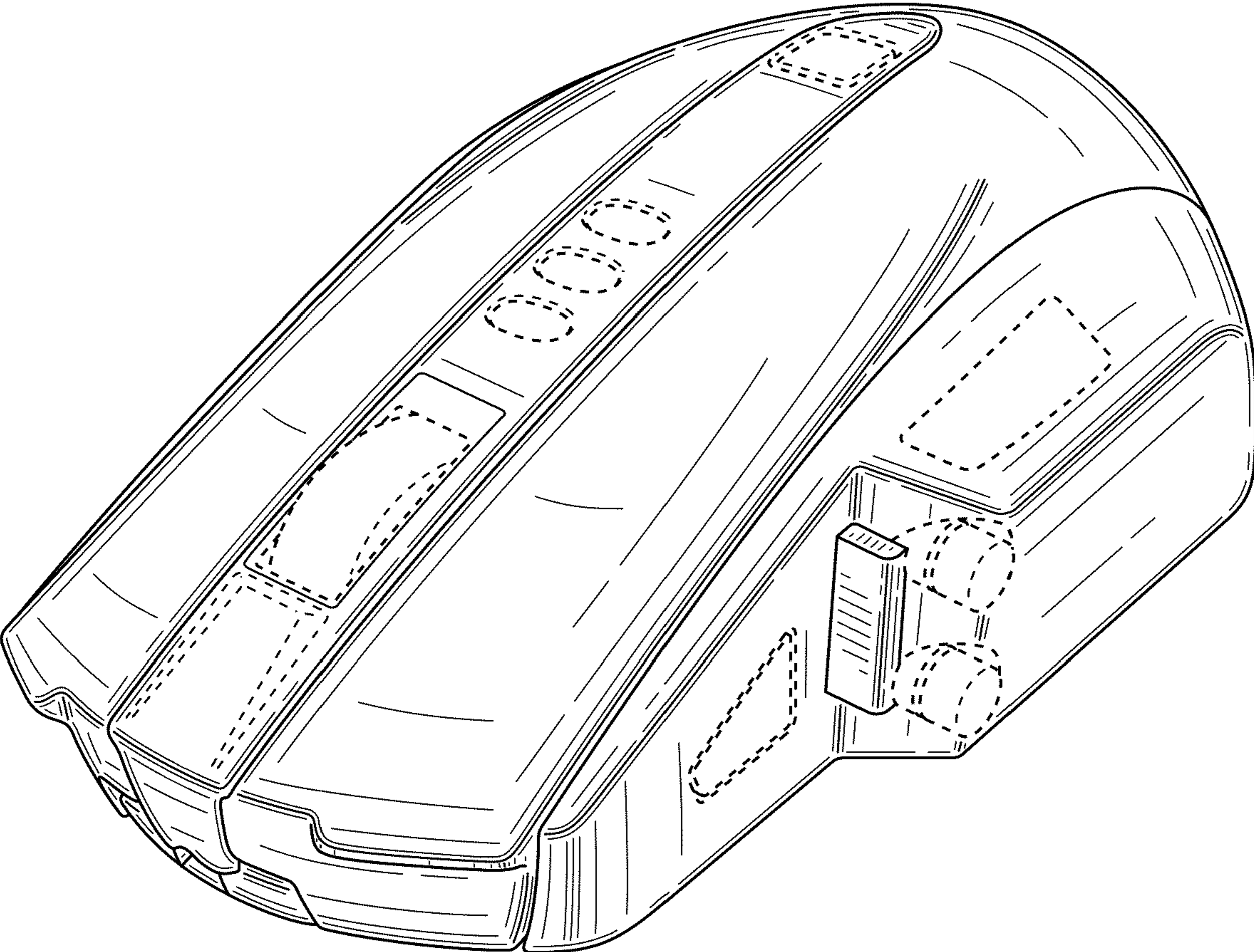


FIG. 1

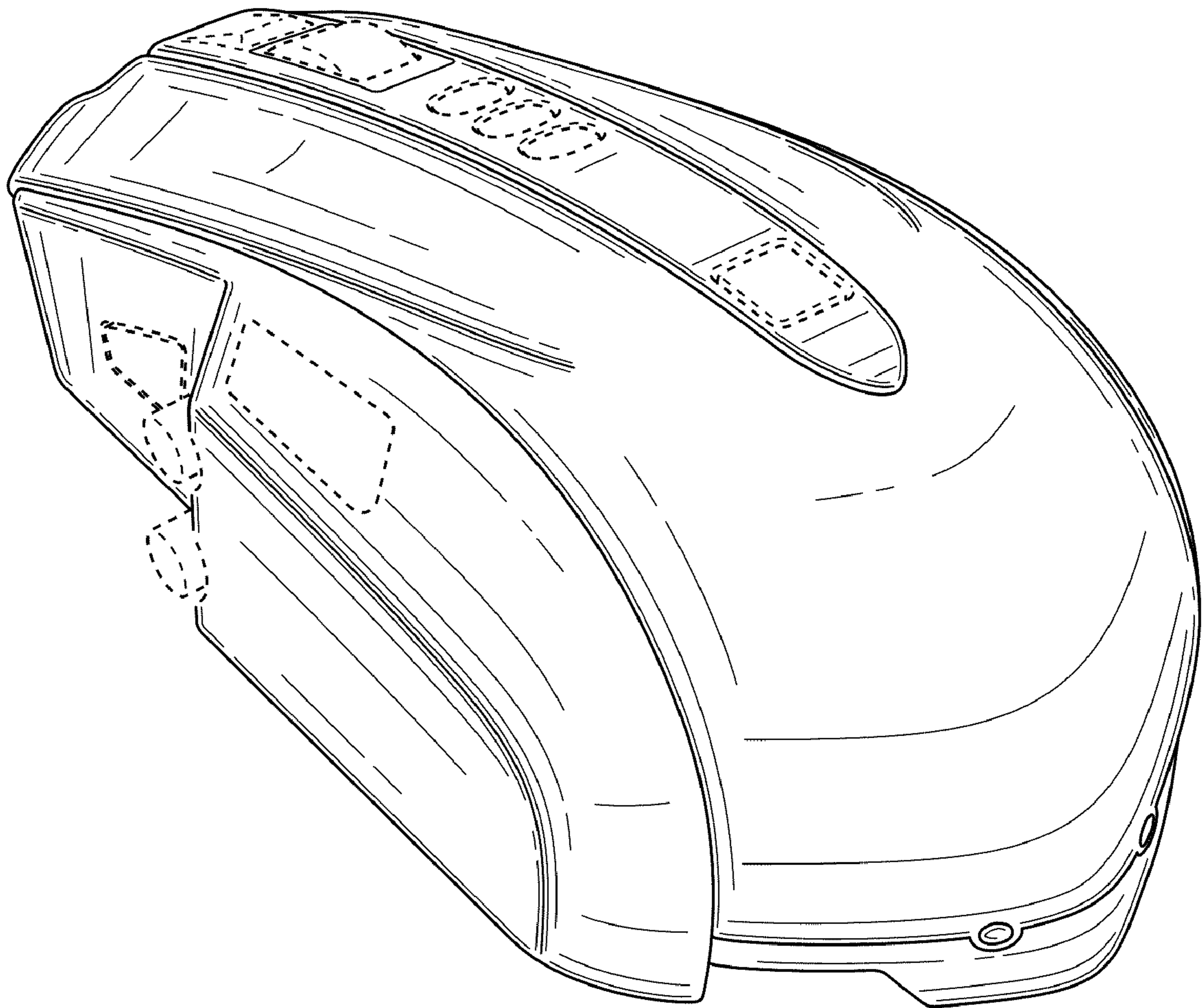


FIG. 2

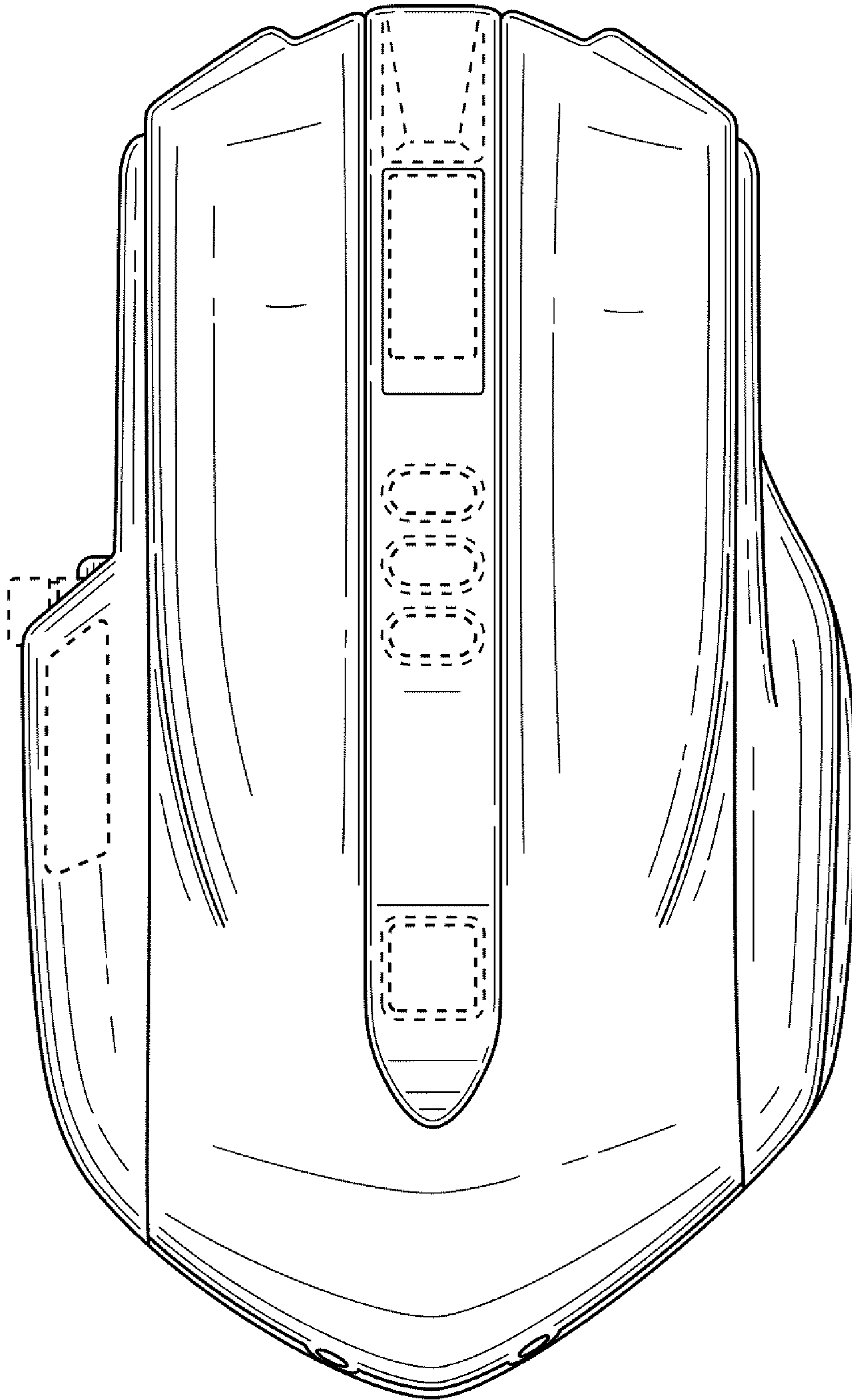


FIG. 3

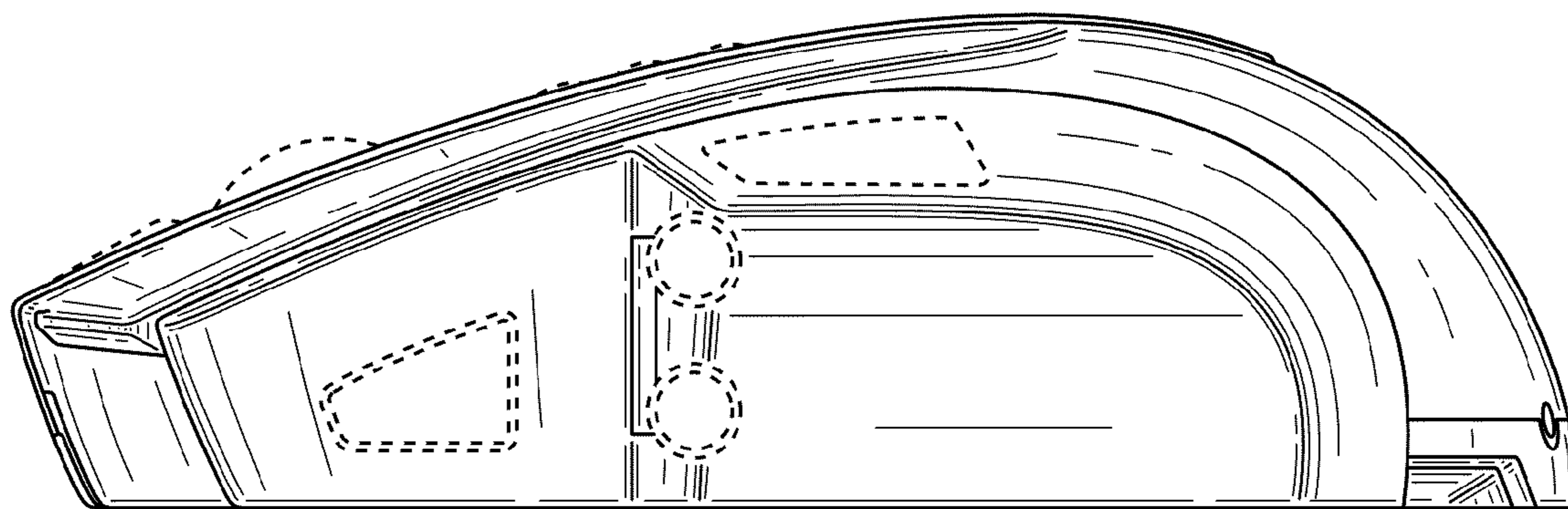


FIG. 4

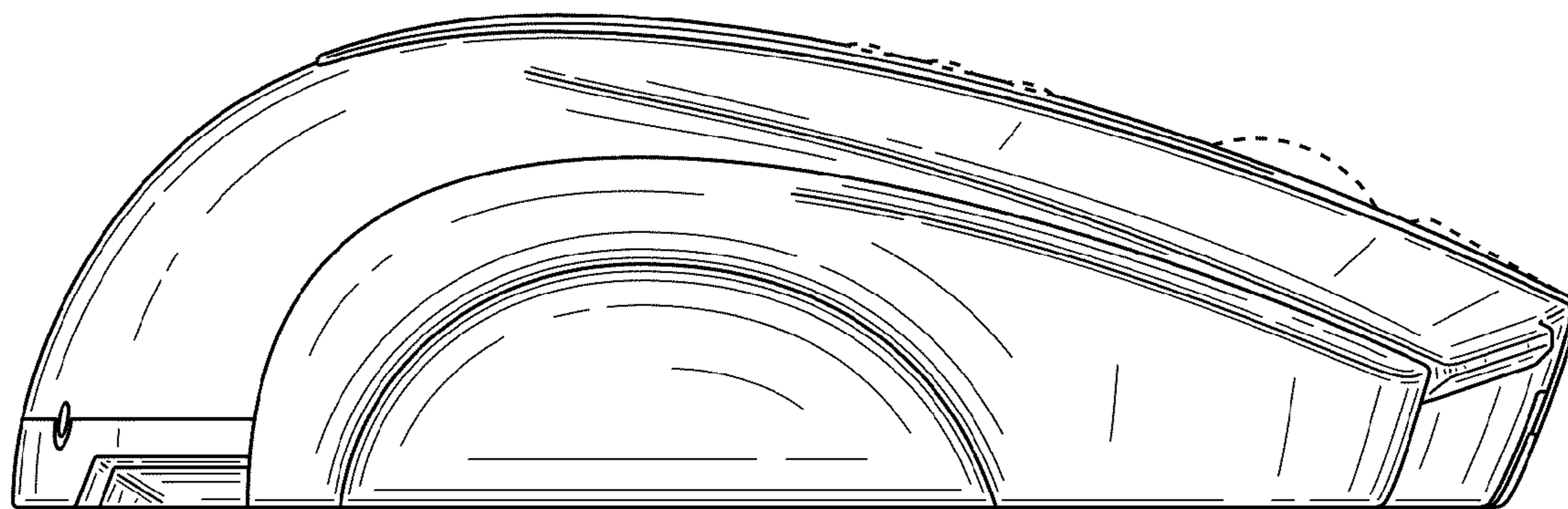


FIG. 5

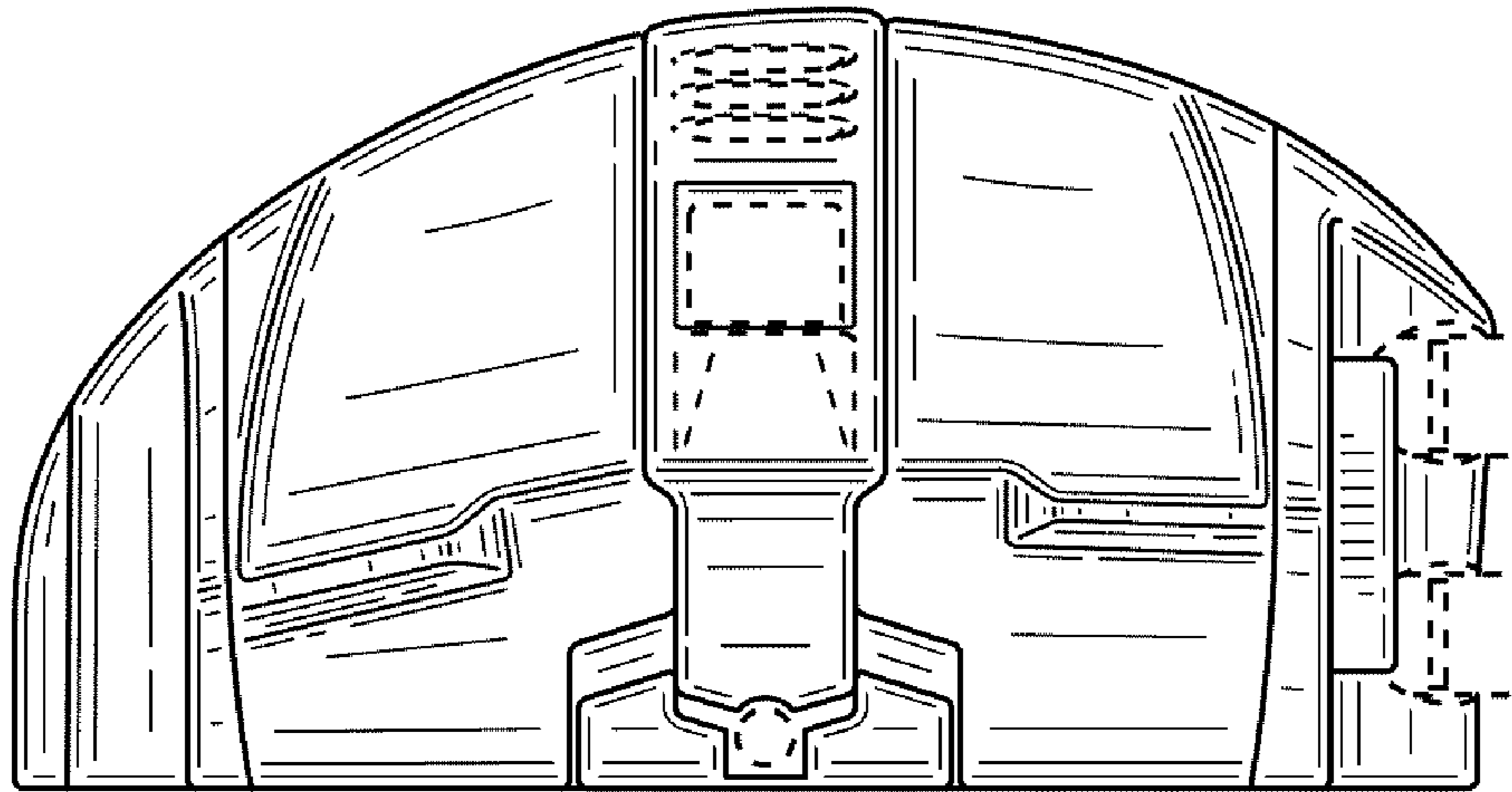


FIG. 6

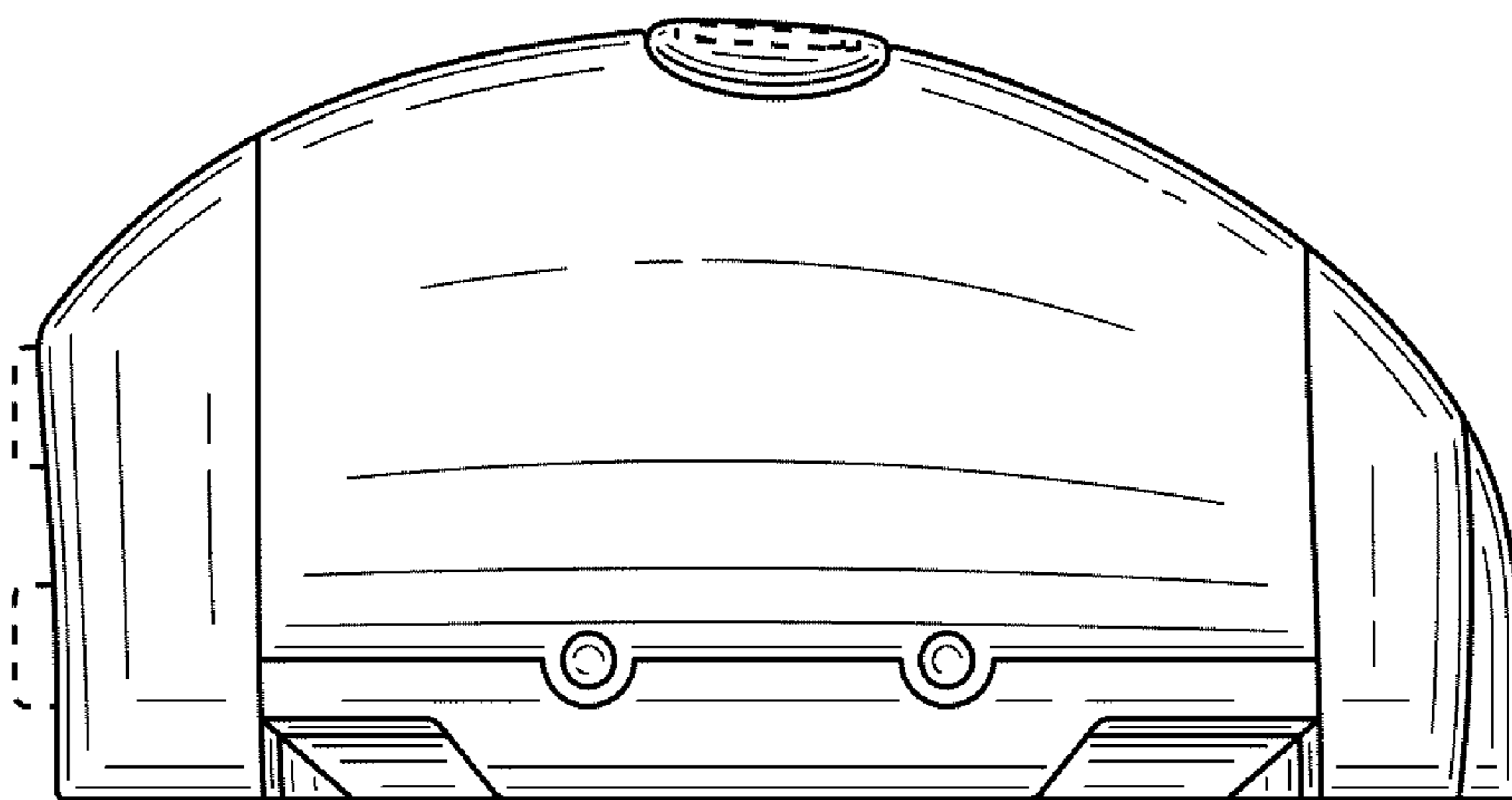


FIG. 7