



US00D591290S

(12) **United States Design Patent**
Park et al.

(10) **Patent No.:** **US D591,290 S**

(45) **Date of Patent:** **** Apr. 28, 2009**

(54) **COMPUTER MONITOR**

(75) Inventors: **Sun Ha Park**, Seoul (KR); **Seong Ahn Jeon**, Seoul (KR); **Min Jae Lee**, Seoul (KR)

(73) Assignee: **LG Electronics Inc.**, Seoul (KR)

(**) Term: **14 Years**

(21) Appl. No.: **29/303,662**

(22) Filed: **Feb. 14, 2008**

(30) **Foreign Application Priority Data**

Aug. 17, 2007 (KR) 30-2007-0035202

(51) **LOC (9) Cl.** **14-02**

(52) **U.S. Cl.** **D14/371**

(58) **Field of Classification Search** D14/371-375,
D14/125-129; 345/104, 156, 168, 173; 348/180,
348/184, 325, 739; 341/12; 248/917-924;
349/1, 2, 11, 62; 361/680-686

See application file for complete search history.

(56) **References Cited**

U.S. PATENT DOCUMENTS

D412,892 S * 8/1999 Lee D14/375

D416,875 S * 11/1999 Chuo et al. D14/375
D438,518 S * 3/2001 Kanatani et al. D14/126
6,381,125 B1 * 4/2002 Mizoguchi et al. 361/682
D517,551 S * 3/2006 Kim et al. D14/375
D544,861 S * 6/2007 Hwang D14/375

* cited by examiner

Primary Examiner—Freda S Nunn

(74) *Attorney, Agent, or Firm*—Birch, Stewart, Kolasch & Birch, LLP

(57) **CLAIM**

We claim the ornamental design for computer monitor, as shown and described.

DESCRIPTION

FIG. 1 is a perspective view of computer monitor showing the new design:

FIG. 2 is a front elevation view thereof;

FIG. 3 is a rear elevation view thereof;

FIG. 4 is a left-side elevation view thereof;

FIG. 5 is a right-side elevation view thereof;

FIG. 6 is a top plan view thereof; and,

FIG. 7 is a bottom plan view thereof.

1 Claim, 5 Drawing Sheets

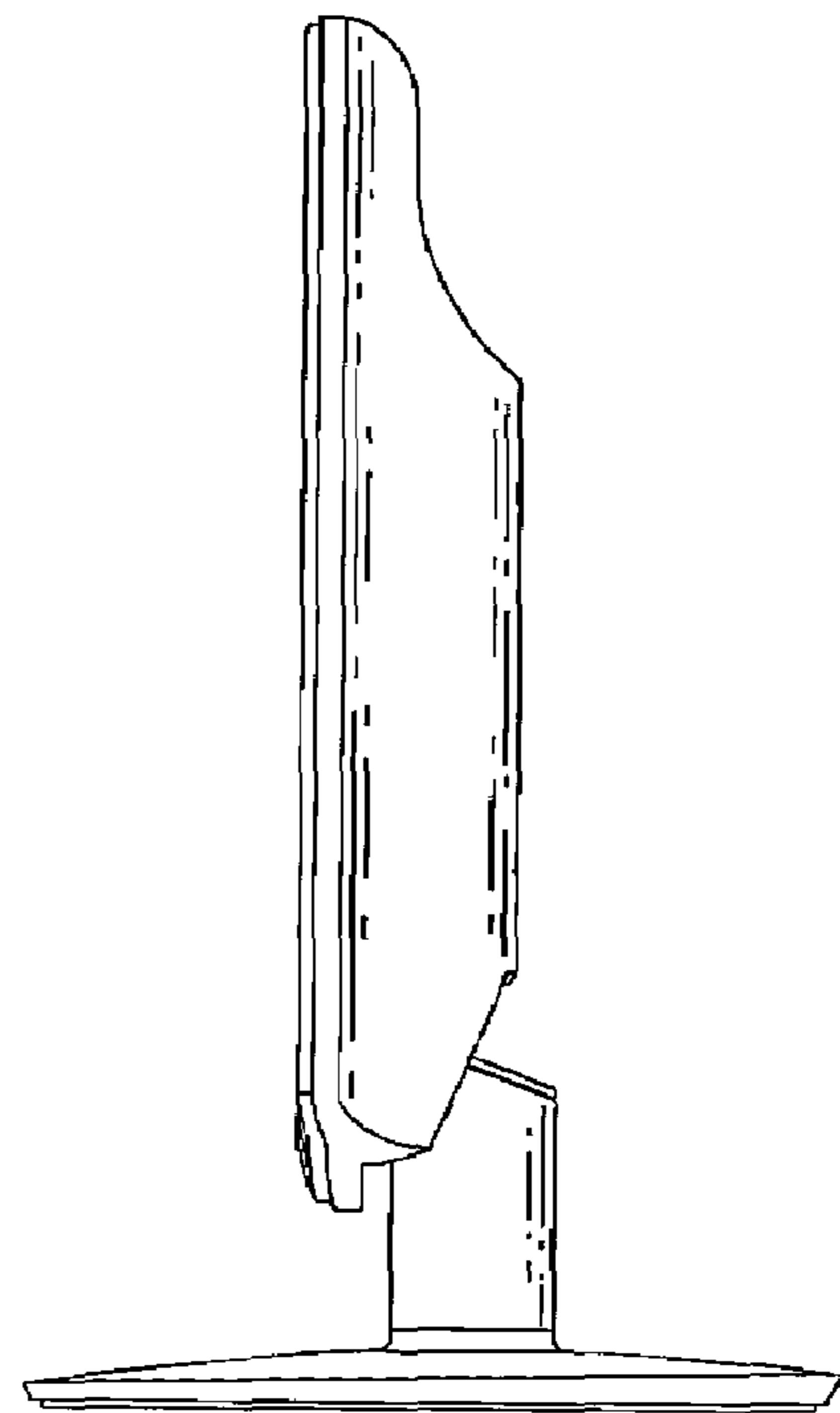
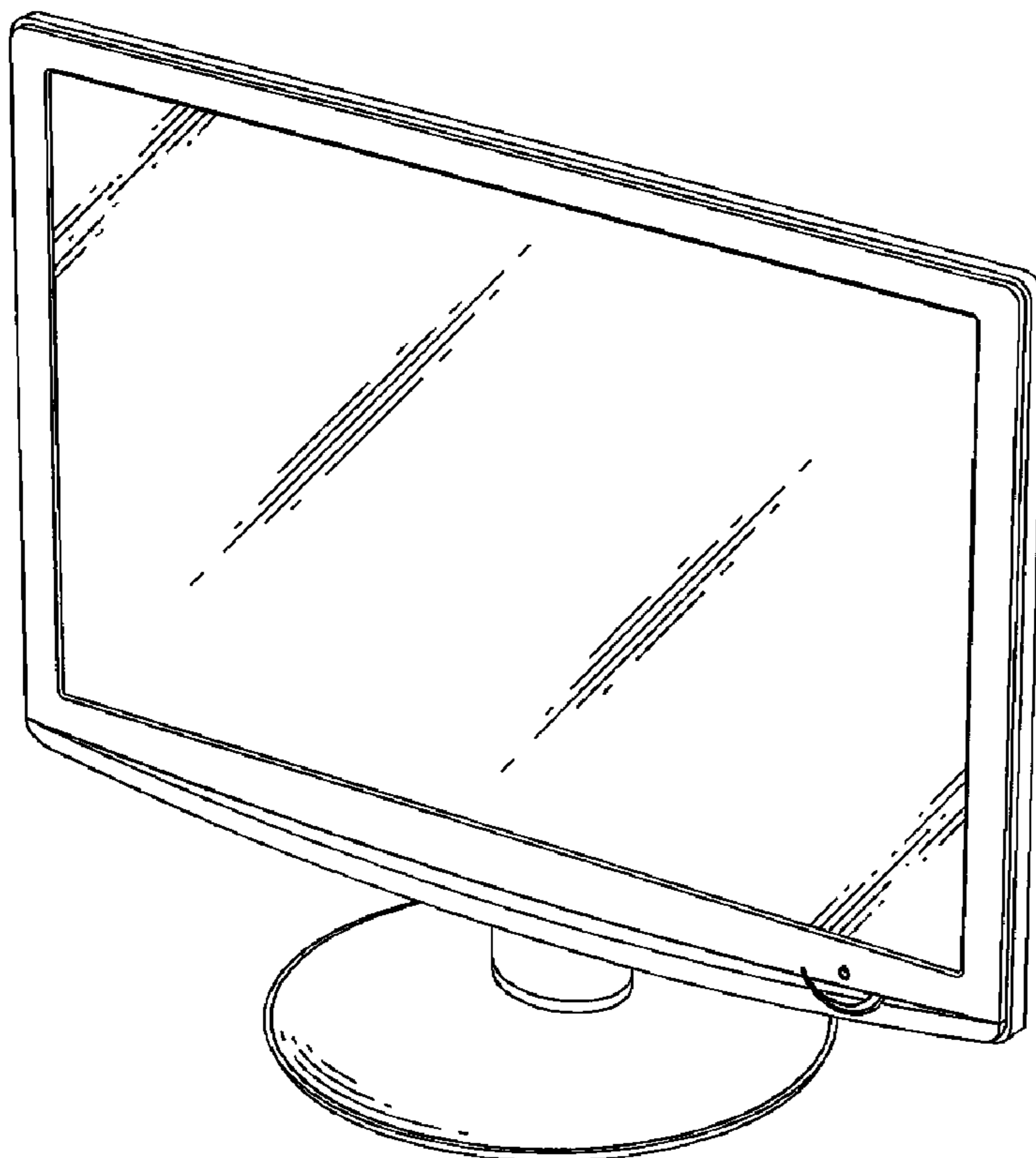


FIG. 1

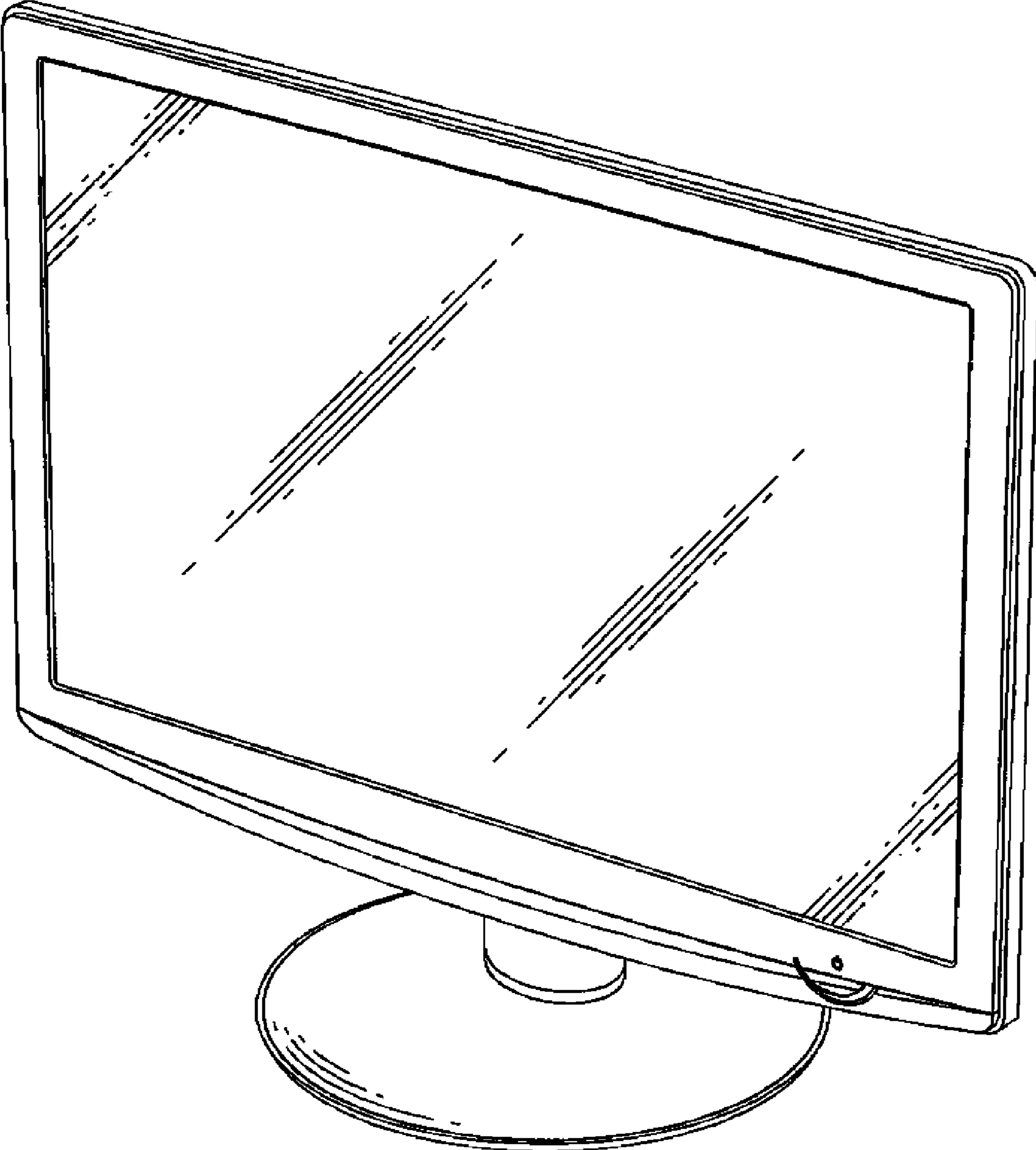


FIG. 2

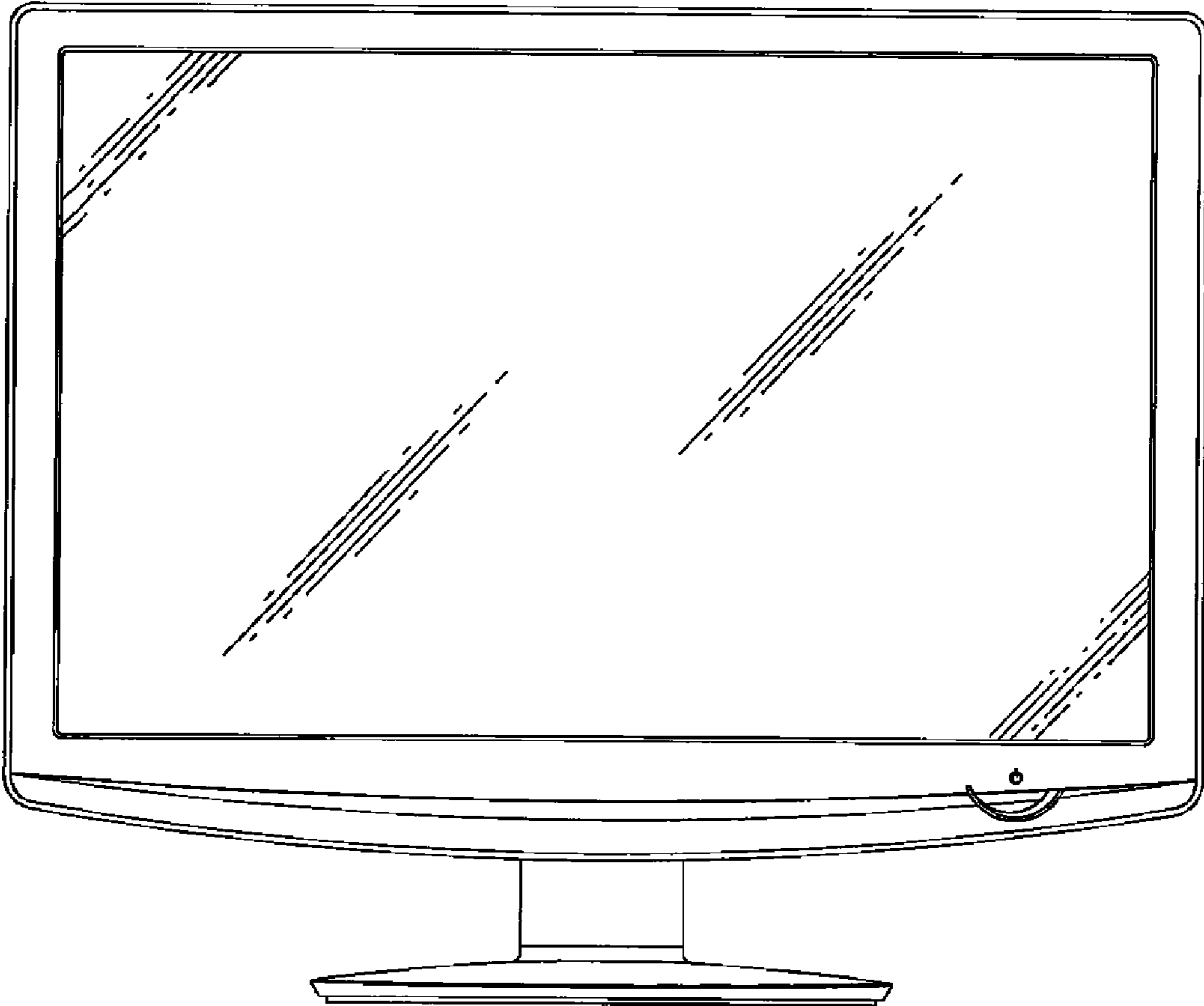


FIG. 3

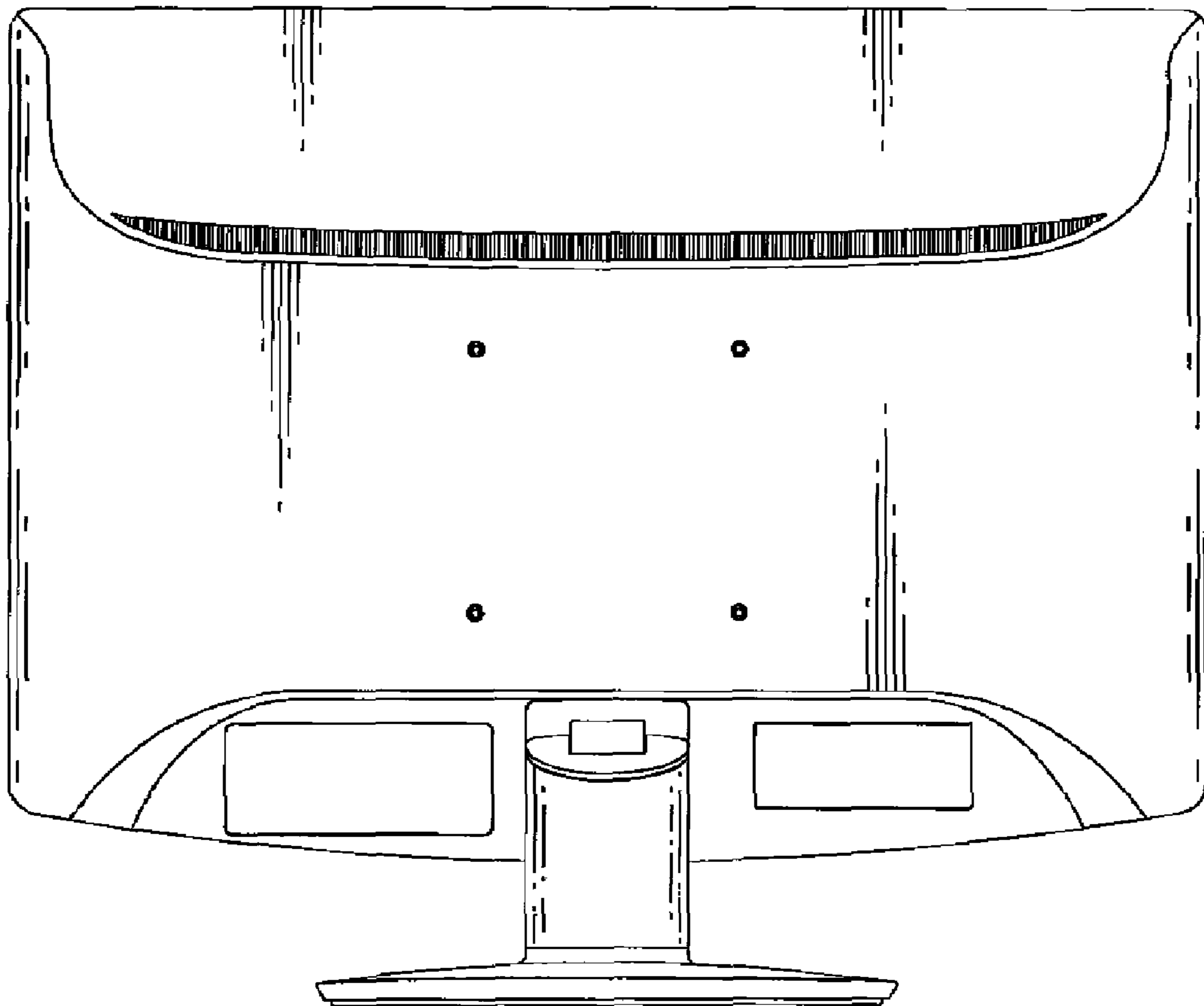


FIG. 4

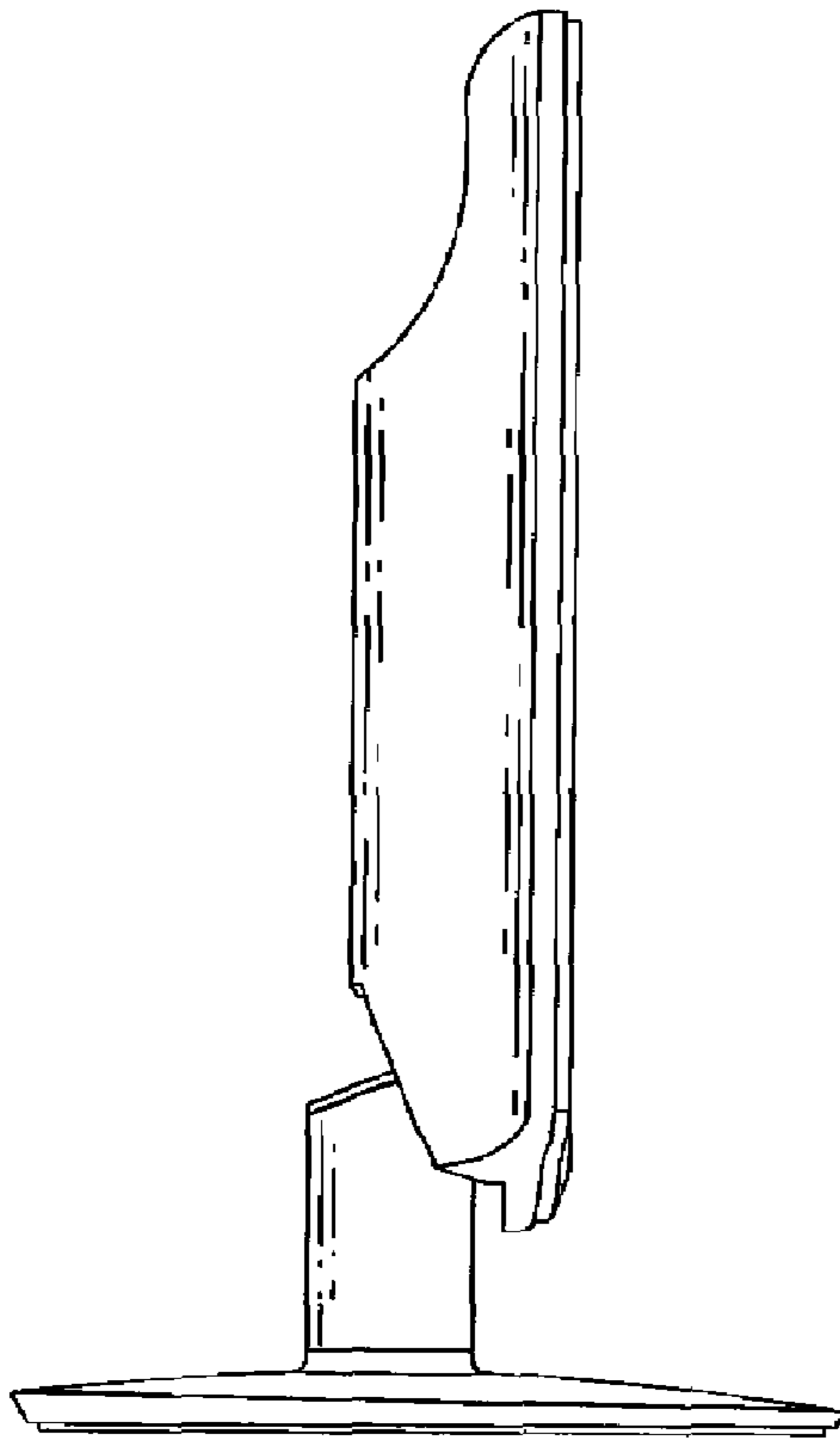


FIG. 5

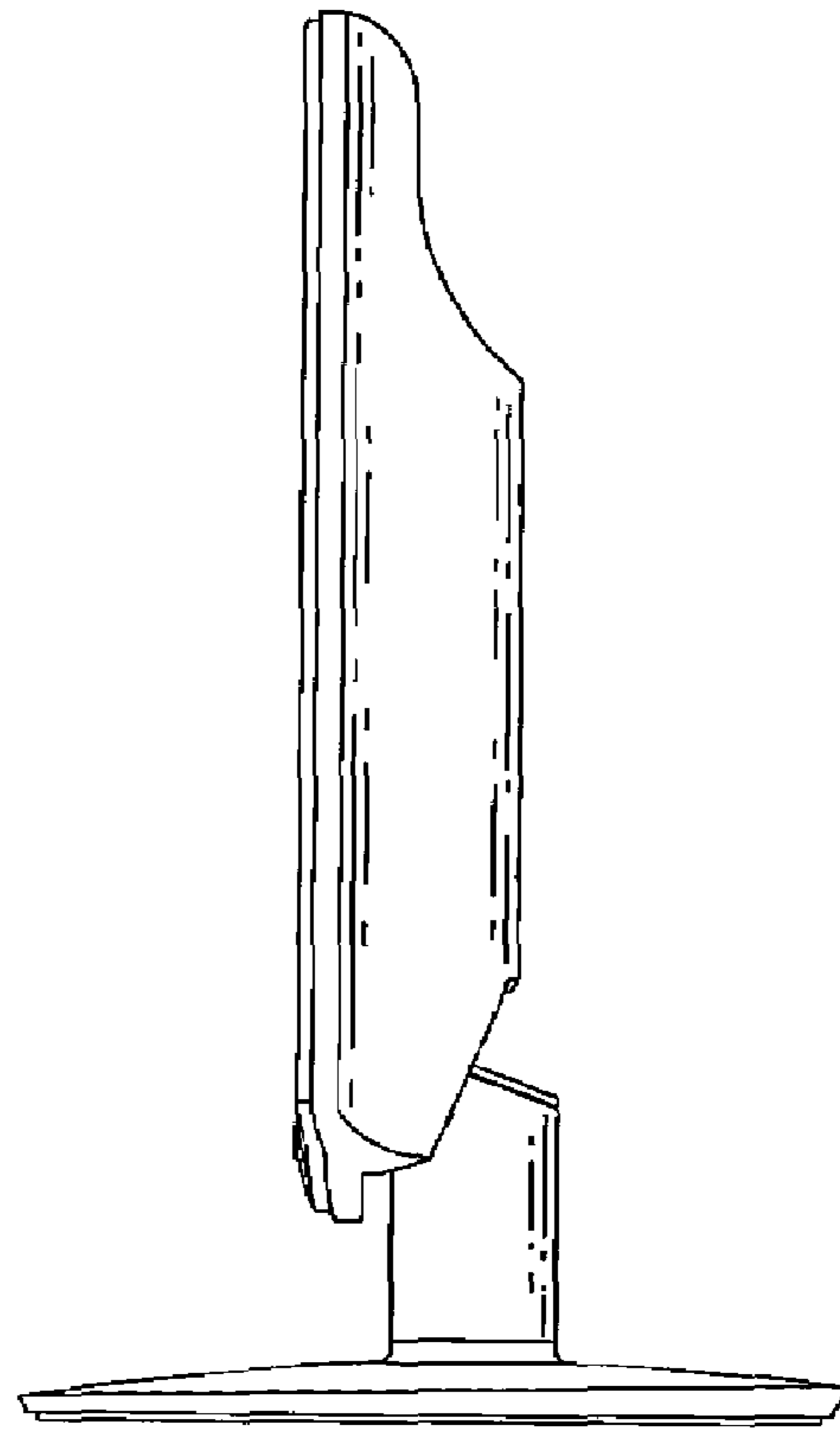


FIG. 6

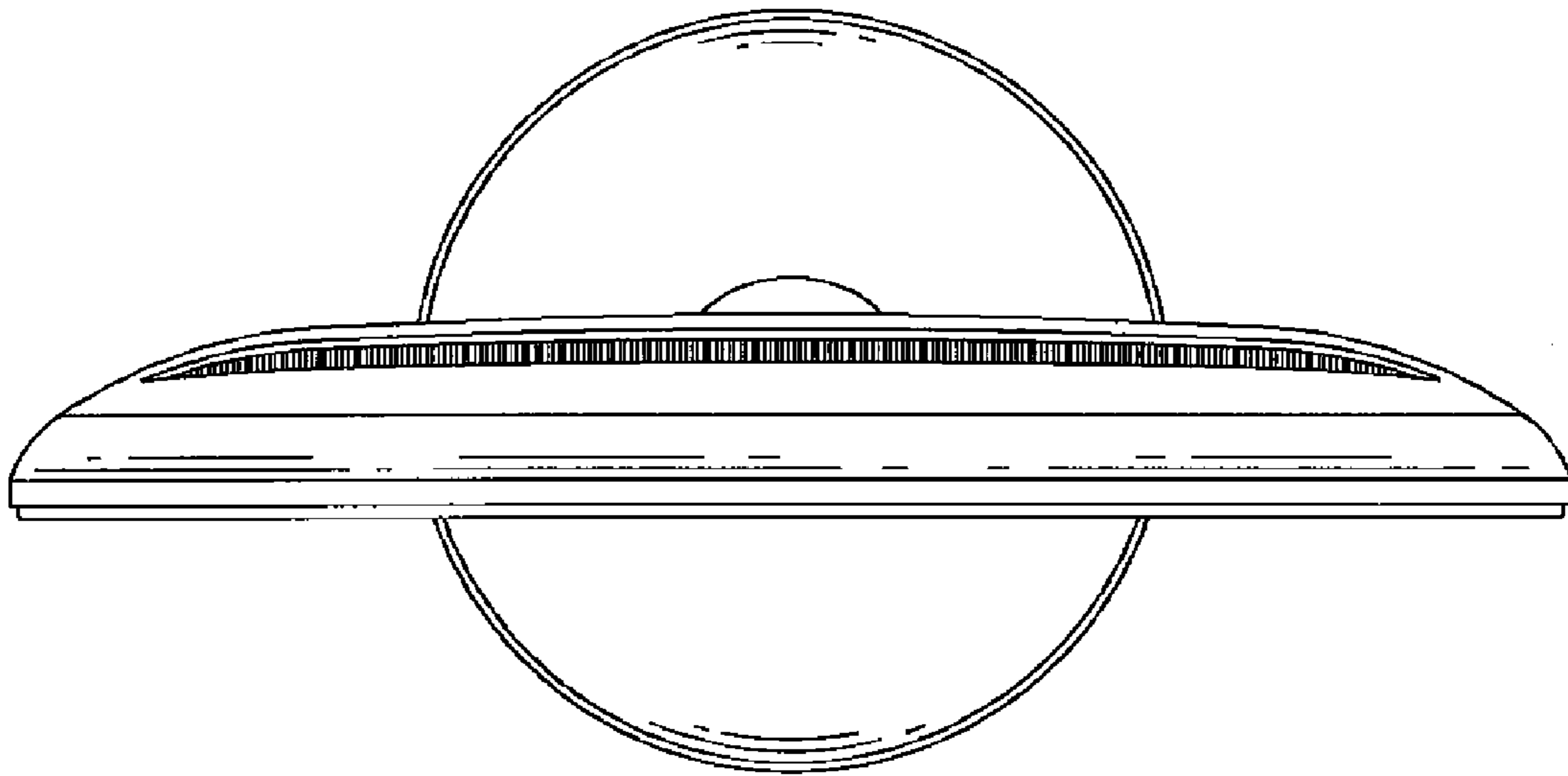


FIG. 7

