



US00D591287S

(12) **United States Design Patent**  
**Hwang**

(10) **Patent No.:** **US D591,287 S**  
(45) **Date of Patent:** **\*\* Apr. 28, 2009**

(54) **PERSONAL COMPUTER**

(75) Inventor: **Por-Sheng Hwang**, Tao Yuan Shien (TW)

(73) Assignee: **Quanta Computer Inc.**, Kuei Shan Hsiang, Tao Yuan Shien (TW)

(\*\*) Term: **14 Years**

(21) Appl. No.: **29/319,487**

(22) Filed: **Jun. 10, 2008**

(51) **LOC (9) Cl.** ..... **14-02**

(52) **U.S. Cl.** ..... **D14/337**

(58) **Field of Classification Search** ..... D14/371-376,  
D14/125-129, 336, 337, 356; 345/104, 156,  
345/168, 173, 87, 1.1, 901-905; 341/12;  
348/180, 184, 325, 739; 349/1, 2, 11, 58;  
248/917-924, 176.1, 278.1; 361/679.23,  
361/679.08

See application file for complete search history.

(56) **References Cited**

**U.S. PATENT DOCUMENTS**

D397,094 S \* 8/1998 Kishi et al. .... D14/337  
D428,415 S \* 7/2000 Shibata ..... D14/356  
6,381,125 B1 \* 4/2002 Mizoguchi et al. .... 361/679.08

D464,049 S \* 10/2002 Goto ..... D14/374  
6,837,469 B2 \* 1/2005 Wu et al. .... 248/278.1  
D517,550 S \* 3/2006 Depay et al. .... D14/375  
D537,079 S \* 2/2007 Park ..... D14/375  
D541,278 S \* 4/2007 Hsu et al. .... D14/375  
2006/0237599 A1 \* 10/2006 Ternus et al. .... 248/176.1

\* cited by examiner

*Primary Examiner*—Freda S Nunn

(74) *Attorney, Agent, or Firm*—Thomas, Kayden, Horstemeyer & Risley

(57) **CLAIM**

The ornamental design for a personal computer, as shown and described.

**DESCRIPTION**

FIG. 1 is a front, side perspective view of a personal computer showing our new design;

FIG. 2 is a front elevational view thereof;

FIG. 3 is a rear elevational view thereof;

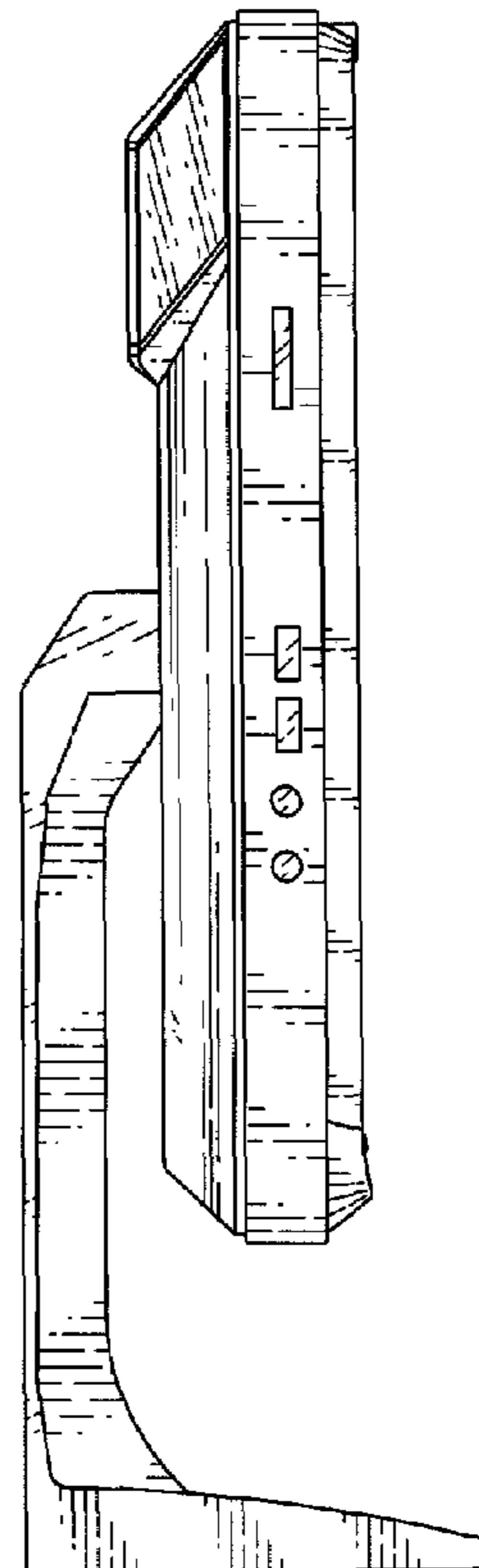
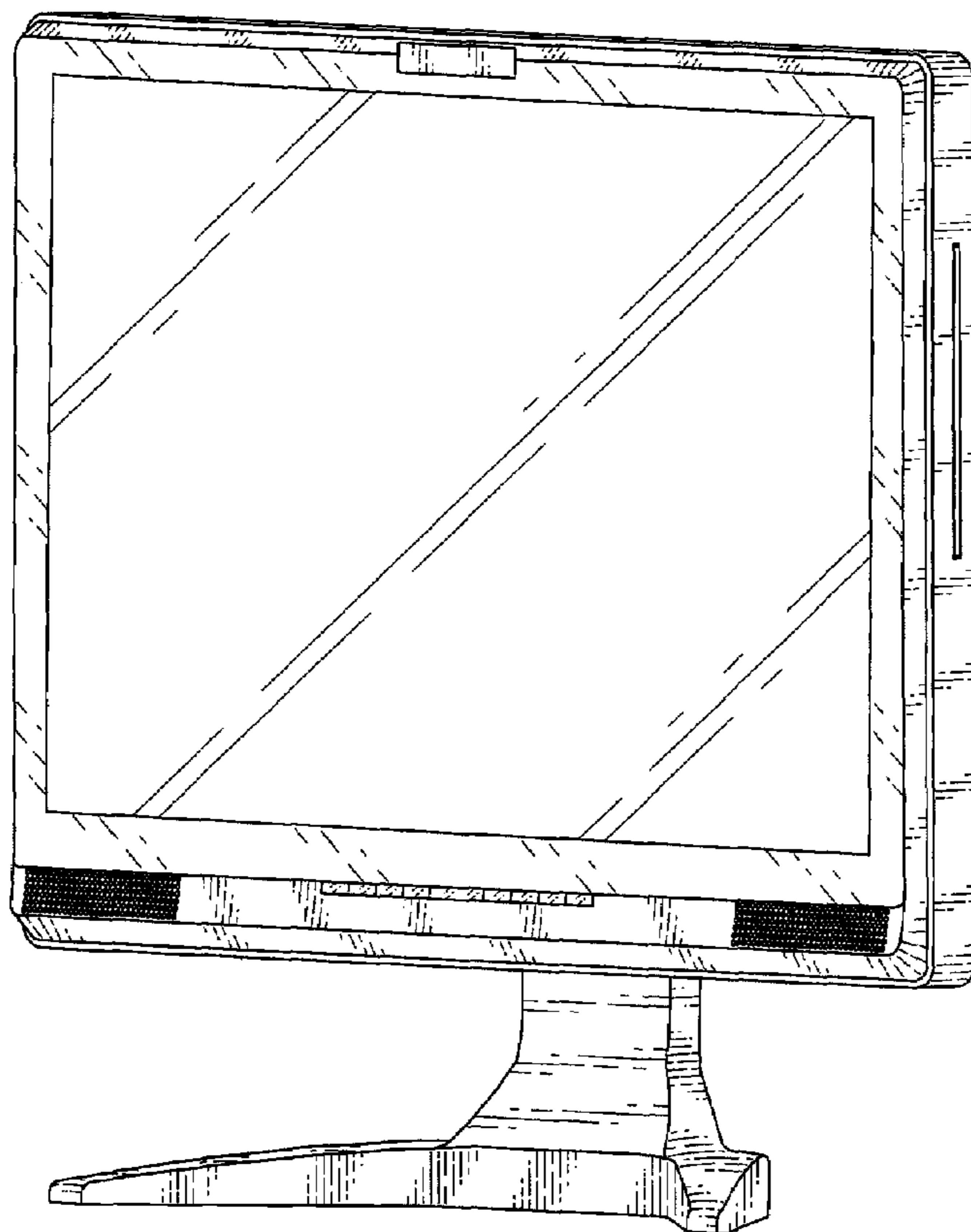
FIG. 4 is a left side elevational view thereof;

FIG. 5 is a right side elevational view thereof;

FIG. 6 is a top plan view thereof; and,

FIG. 7 is a bottom plan view thereof.

**1 Claim, 5 Drawing Sheets**



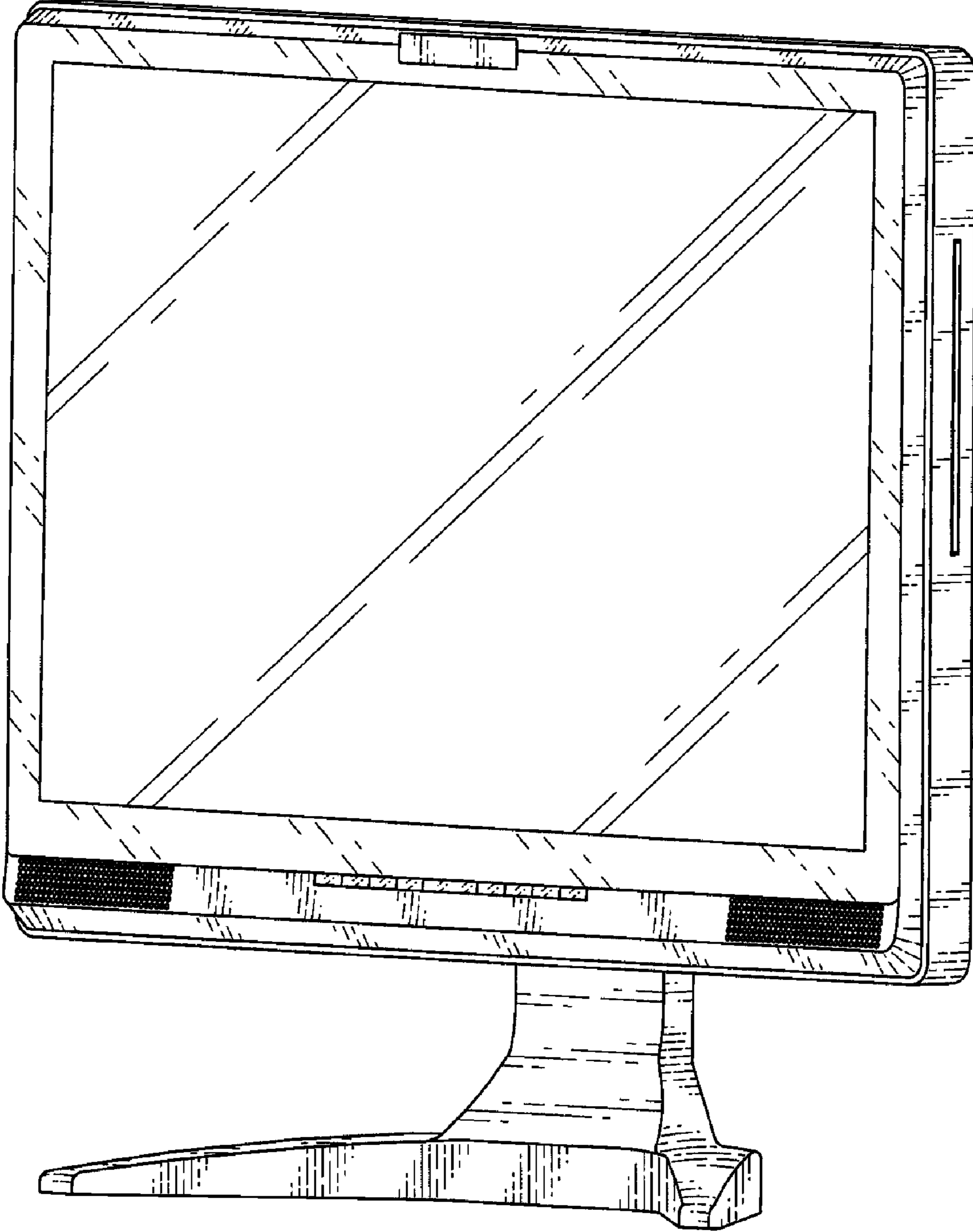


FIG. 1

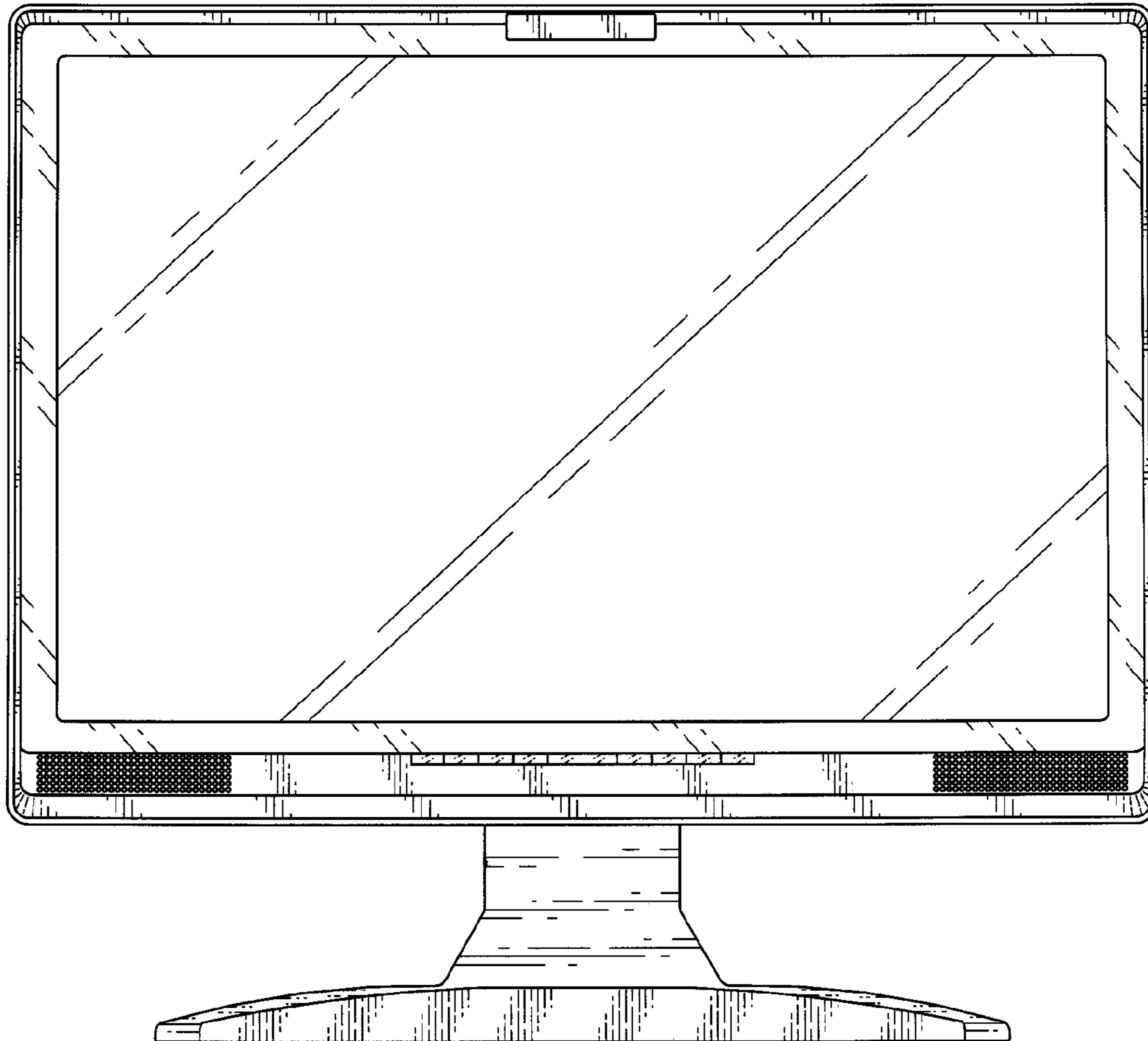


FIG. 2

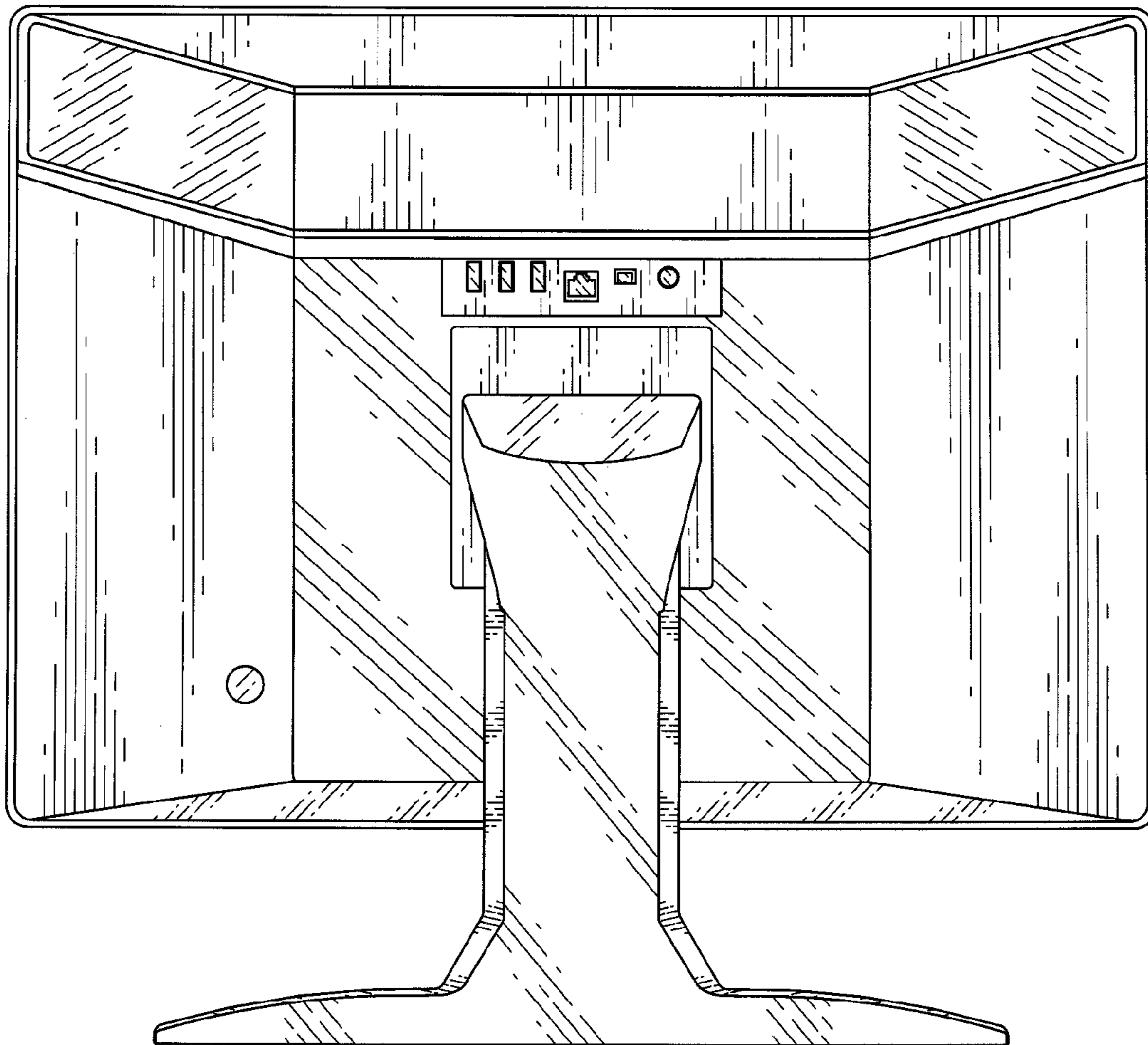


FIG. 3

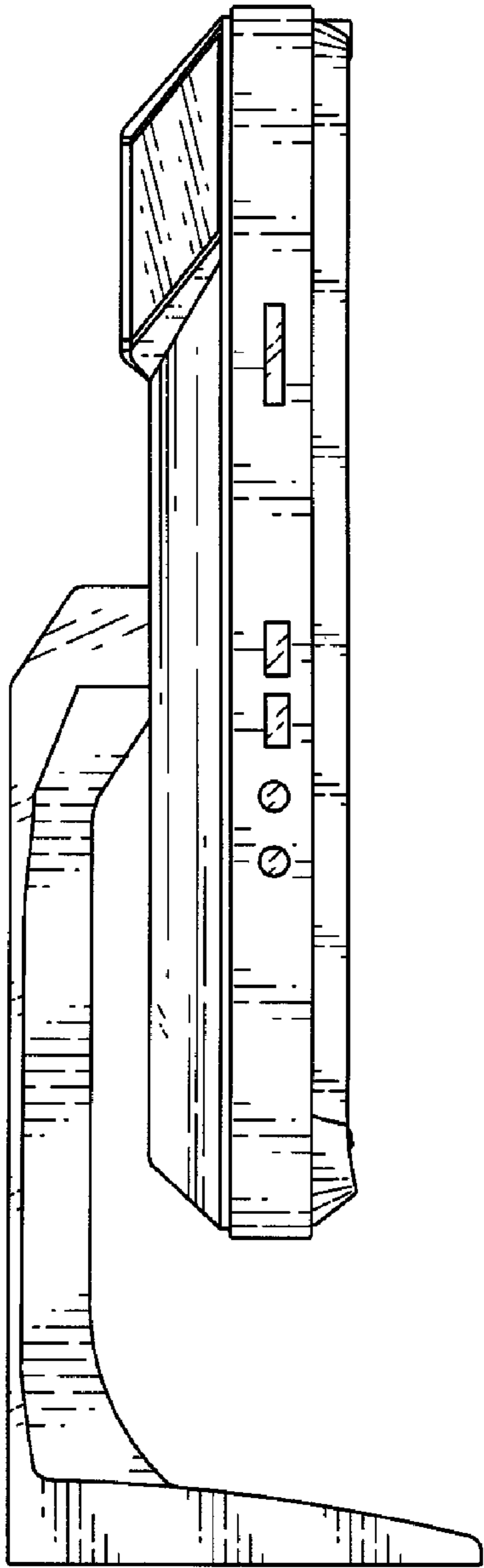


FIG. 4

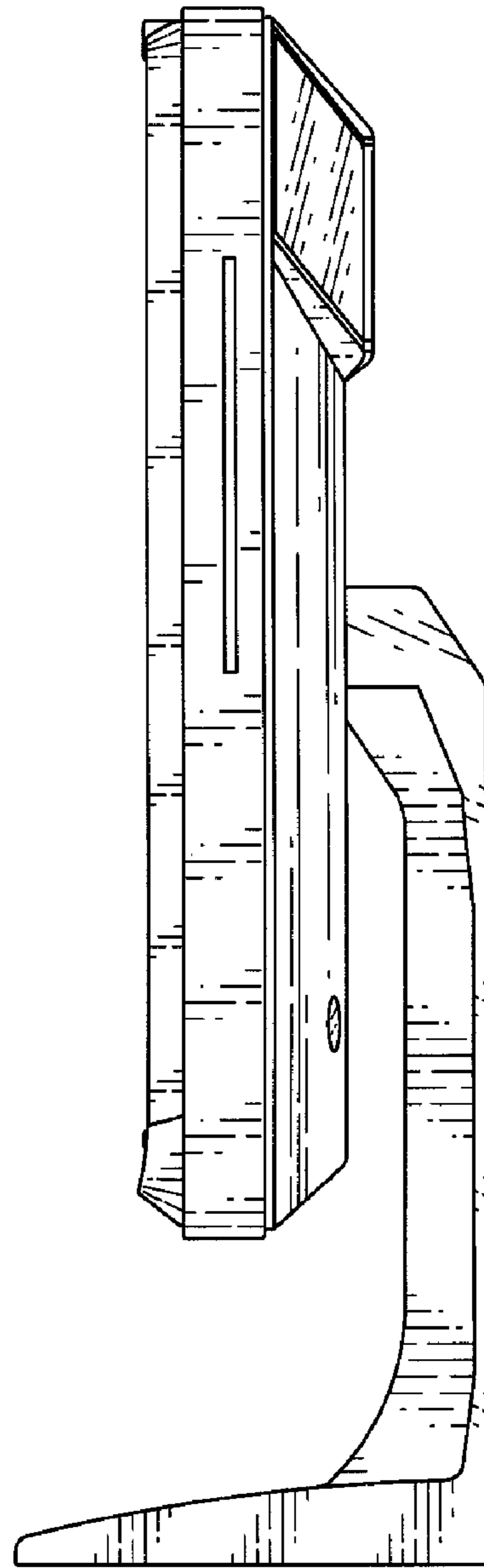


FIG. 5

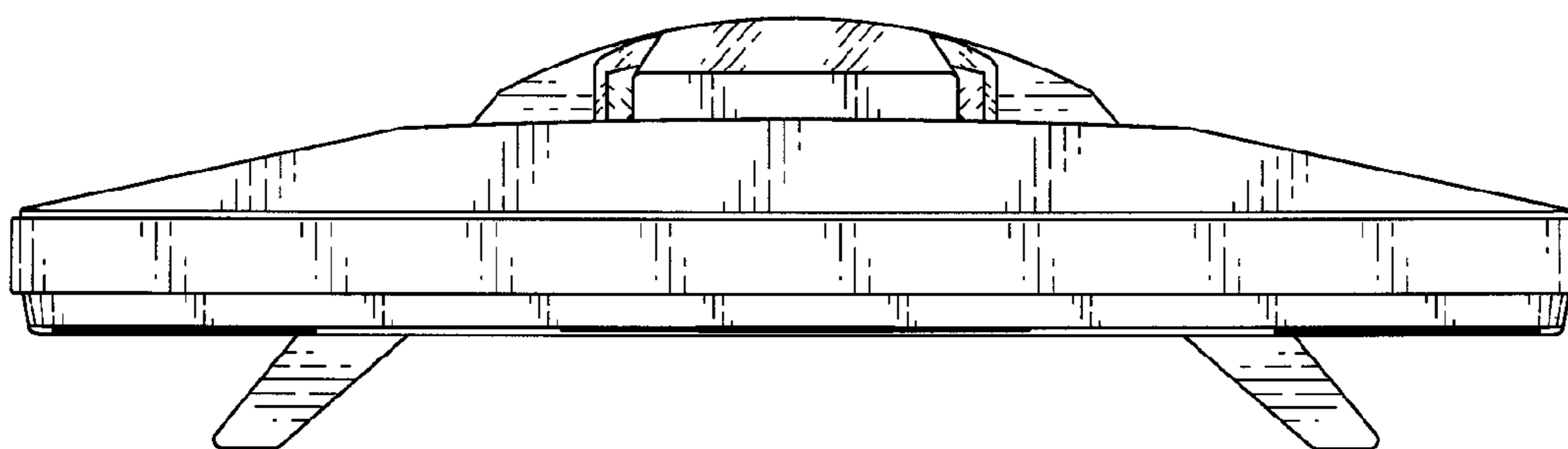


FIG. 6

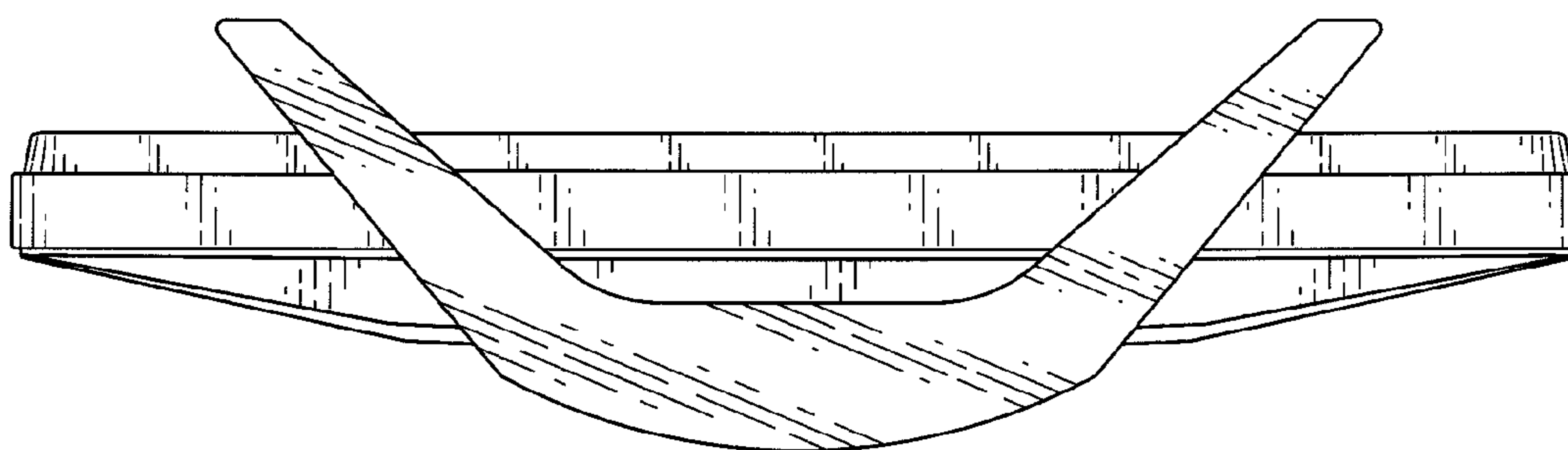


FIG. 7