



US00D591285S

(12) **United States Design Patent**  
**Lu**

(10) **Patent No.:** **US D591,285 S**  
(45) **Date of Patent:** **\*\* Apr. 28, 2009**

(54) **NOTEBOOK COMPUTER**

(75) Inventor: **Yung-Yu Lu, Tao Yuan Shien (TW)**

(73) Assignee: **Quanta Computer Inc., Kuei Shan Hsiang, Tao Yuan Shien (TW)**

(\*\*) Term: **14 Years**

(21) Appl. No.: **29/319,479**

(22) Filed: **Jun. 10, 2008**

(51) **LOC (9) Cl.** ..... **14-02**

(52) **U.S. Cl.** ..... **D14/327**

(58) **Field of Classification Search** ..... D14/341-346,  
D14/315-327; D18/1, 2, 7; D19/59, 60;  
200/5 A, 5 R, 6 A, 6 R; 341/22, 23; 345/1.1,  
345/173; 235/145 A, 145 R; 400/472, 479,  
400/484-489; 361/680-686

See application file for complete search history.

(56) **References Cited**

**U.S. PATENT DOCUMENTS**

D492,301 S *	6/2004	Lu	.....	D14/318
D512,055 S *	11/2005	Yeh et al.	.....	D14/318
D565,045 S *	3/2008	Wu et al.	.....	D14/318
2003/0090473 A1 *	5/2003	Joshi	.....	345/173
2004/0212602 A1 *	10/2004	Nako et al.	.....	345/173

2005/0179670 A1 *	8/2005	Chiang	.....	345/173
2005/0264540 A1 *	12/2005	Niwa	.....	345/173
2006/0087496 A1 *	4/2006	Maciejewski	.....	345/173
2006/0109259 A1 *	5/2006	Ohta	.....	345/173

\* cited by examiner

*Primary Examiner*—Freda S Nunn

(74) *Attorney, Agent, or Firm*—Thomas, Kayden, Horstemeyer & Risley

(57) **CLAIM**

The ornamental design for a notebook computer, as shown and described.

**DESCRIPTION**

FIG. 1 is a front, side perspective view of a notebook computer showing our new design;

FIG. 2 is a front elevational view thereof;

FIG. 3 is a rear elevational view thereof;

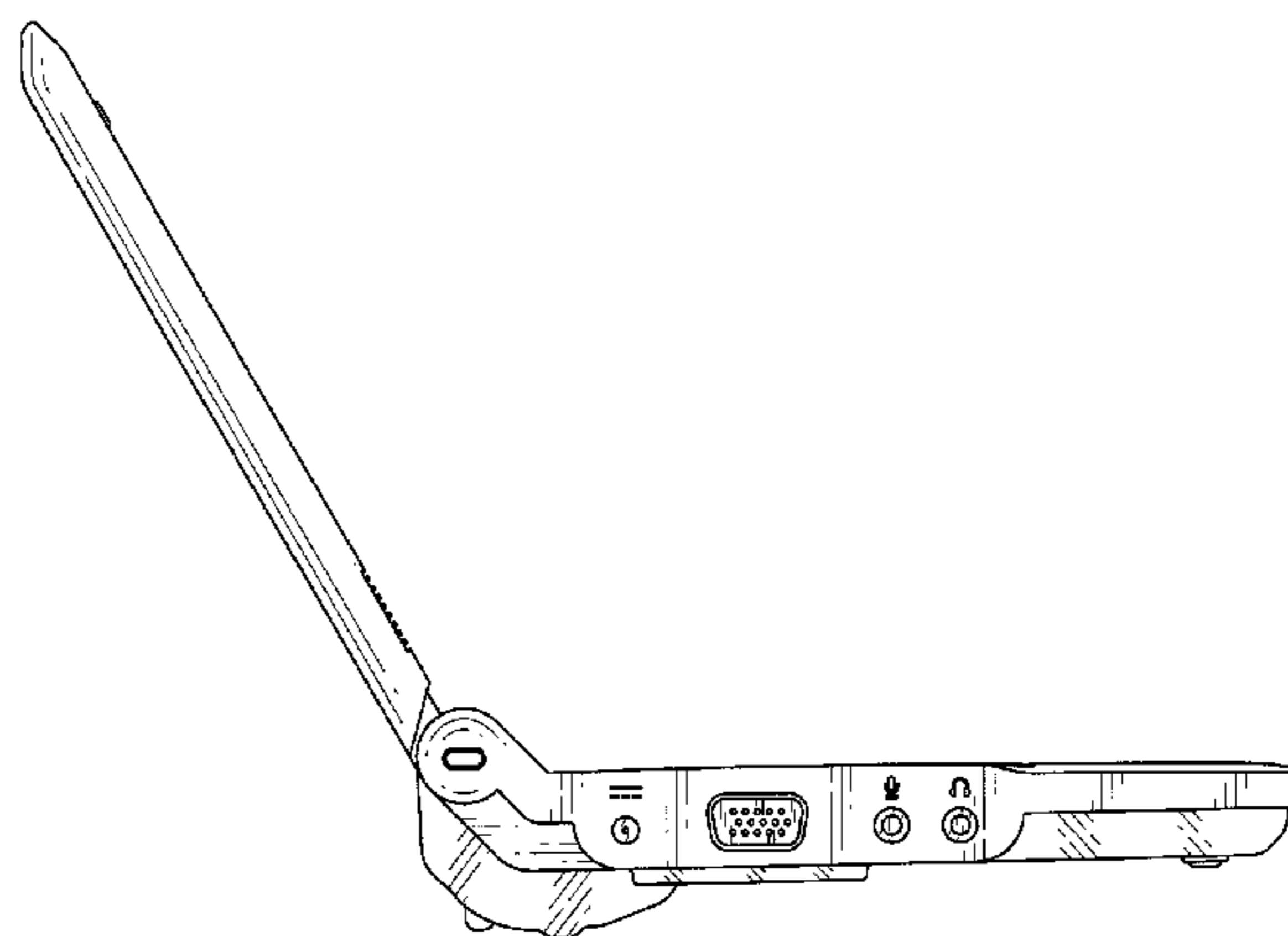
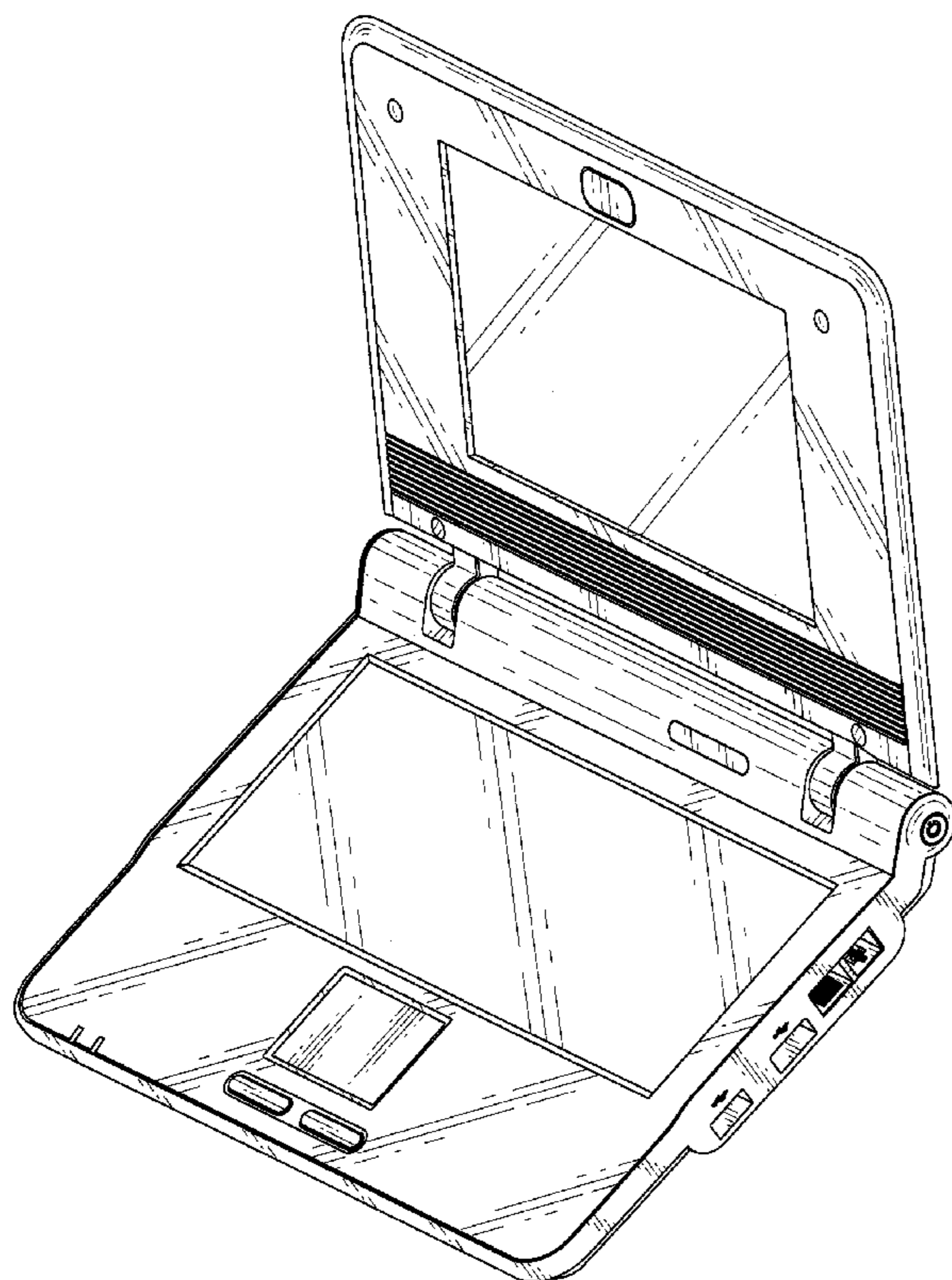
FIG. 4 is a left side elevational view thereof;

FIG. 5 is a right side elevational view thereof;

FIG. 6 is a top plan view thereof; and,

FIG. 7 is a bottom plan view thereof.

**1 Claim, 6 Drawing Sheets**



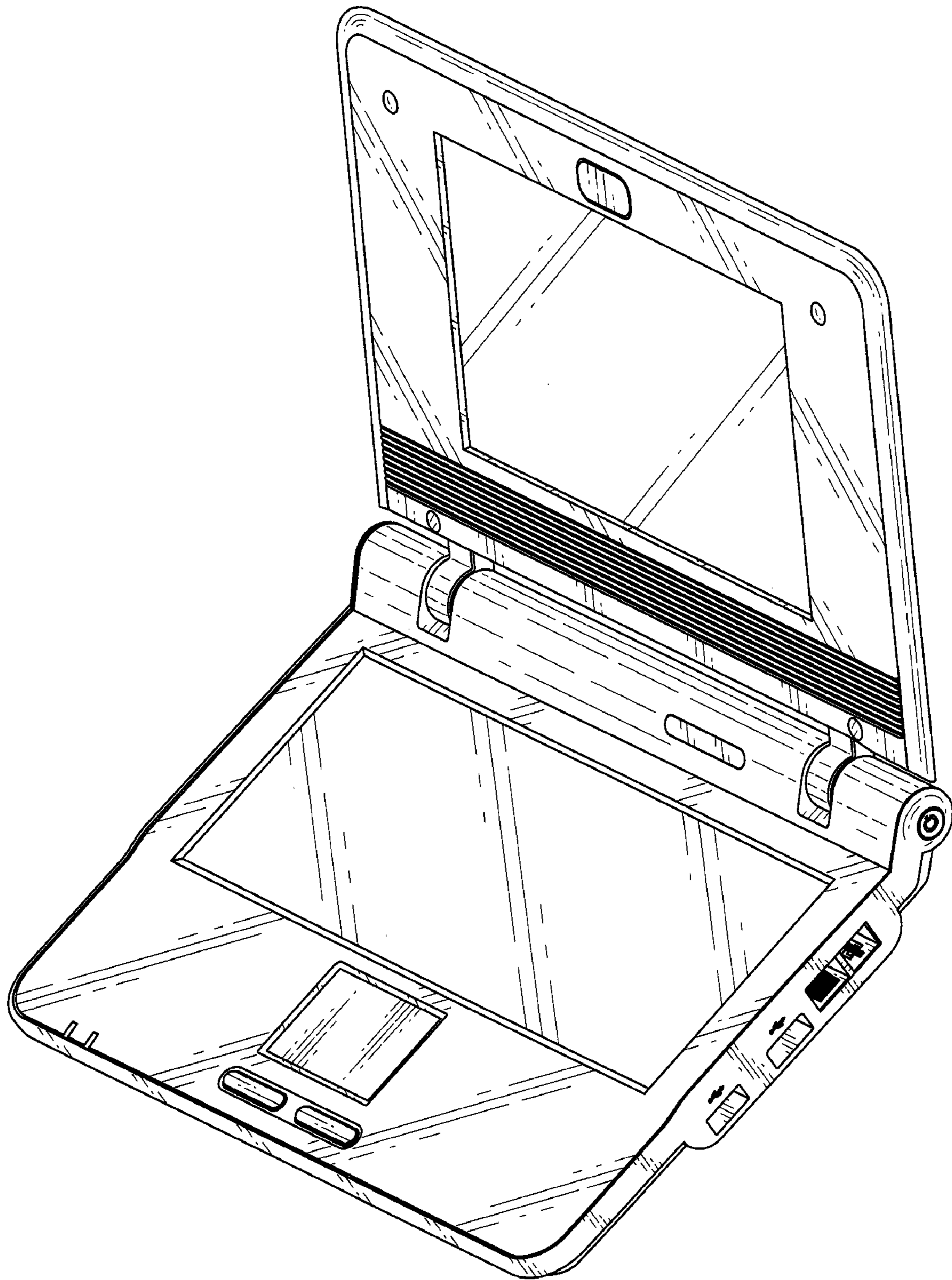


FIG. 1

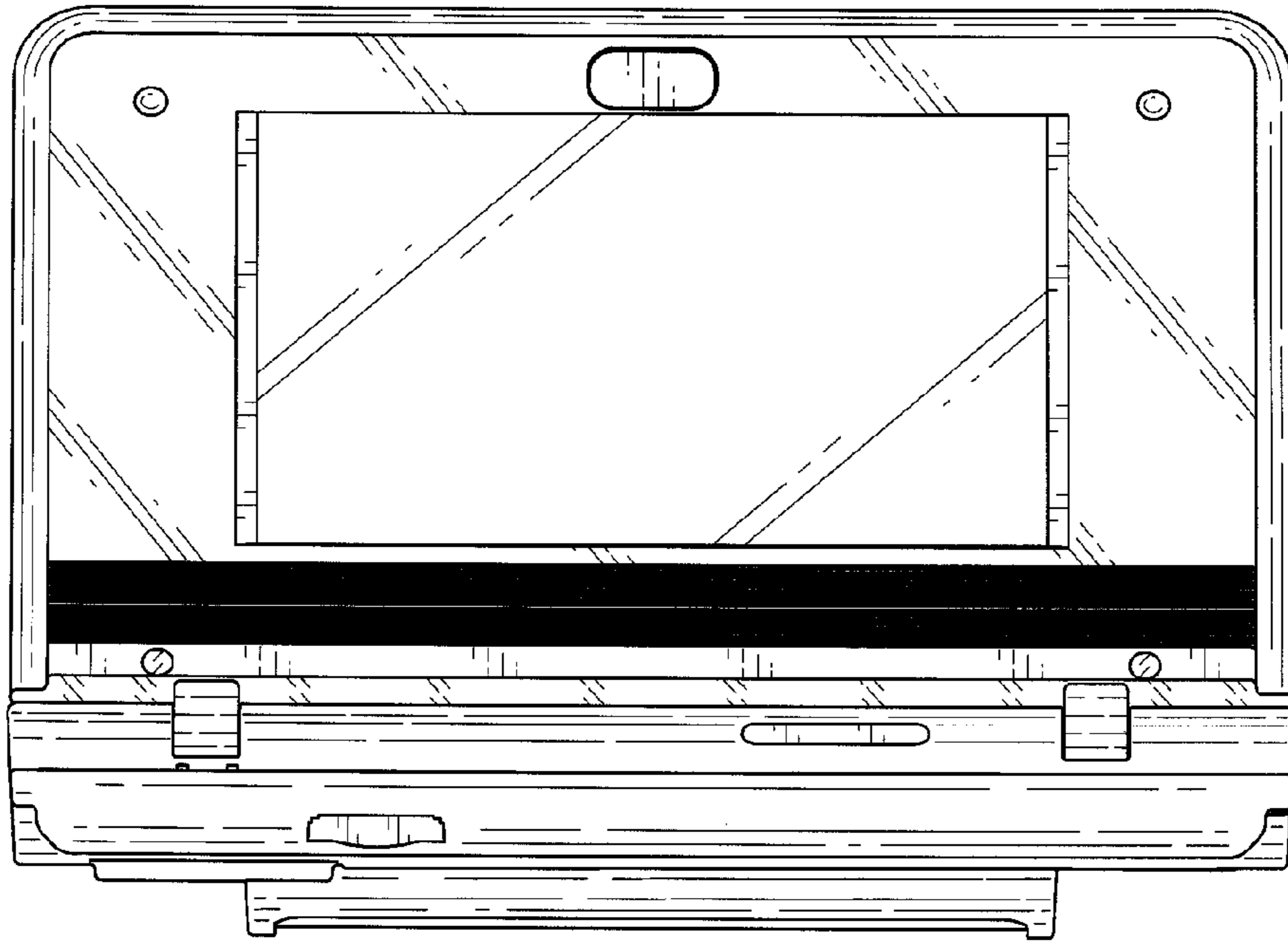


FIG. 2

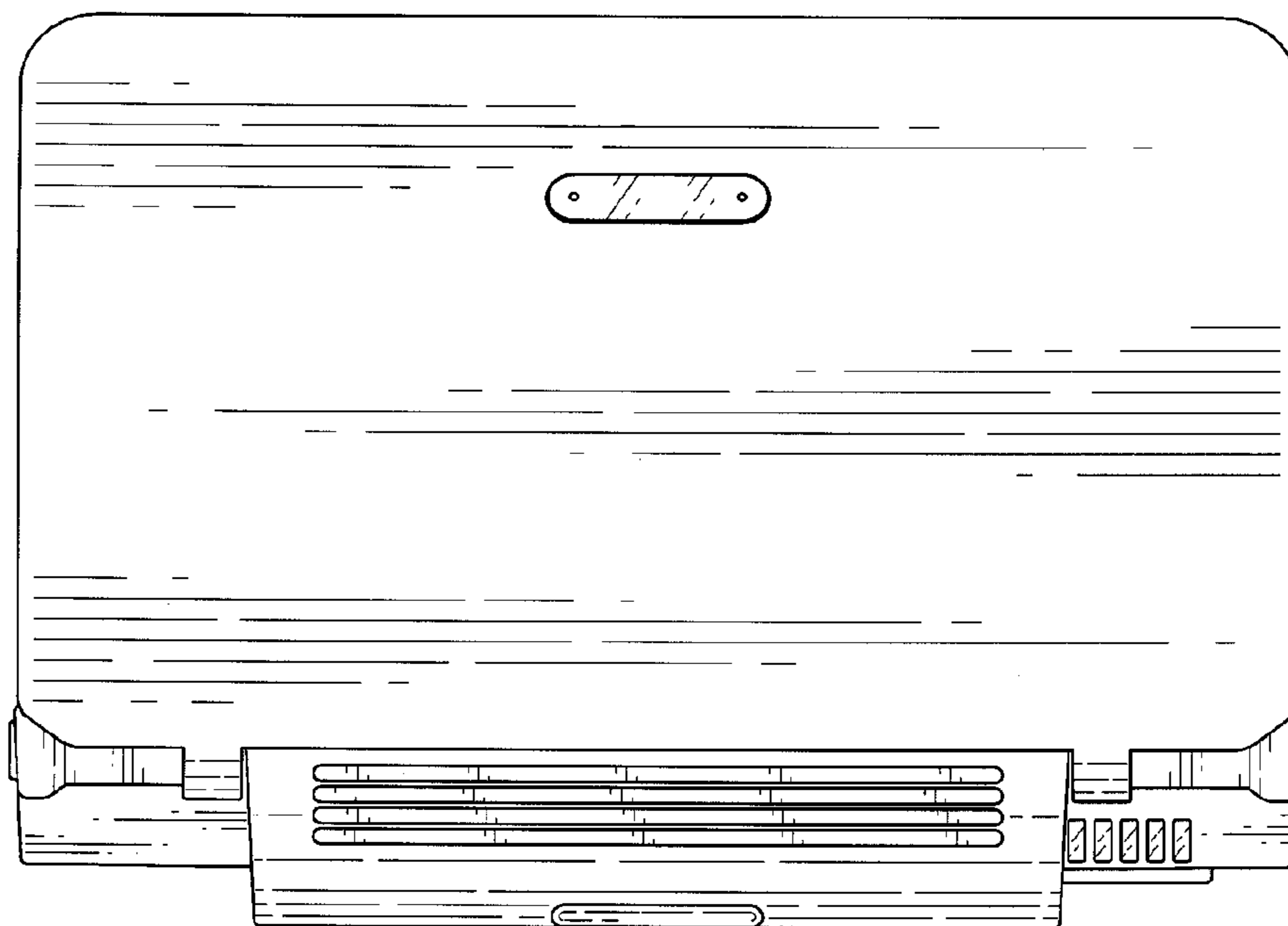


FIG. 3

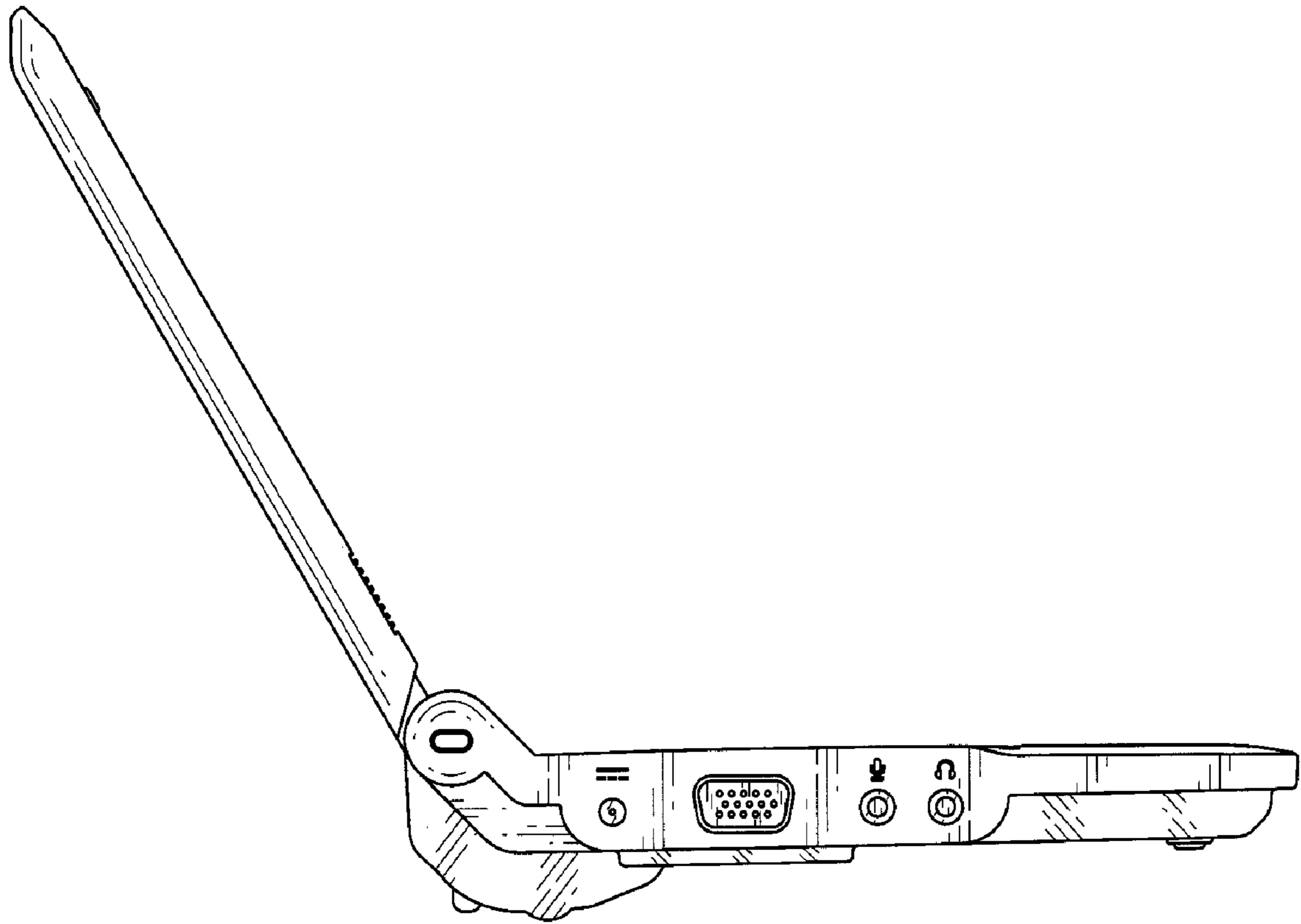


FIG. 4

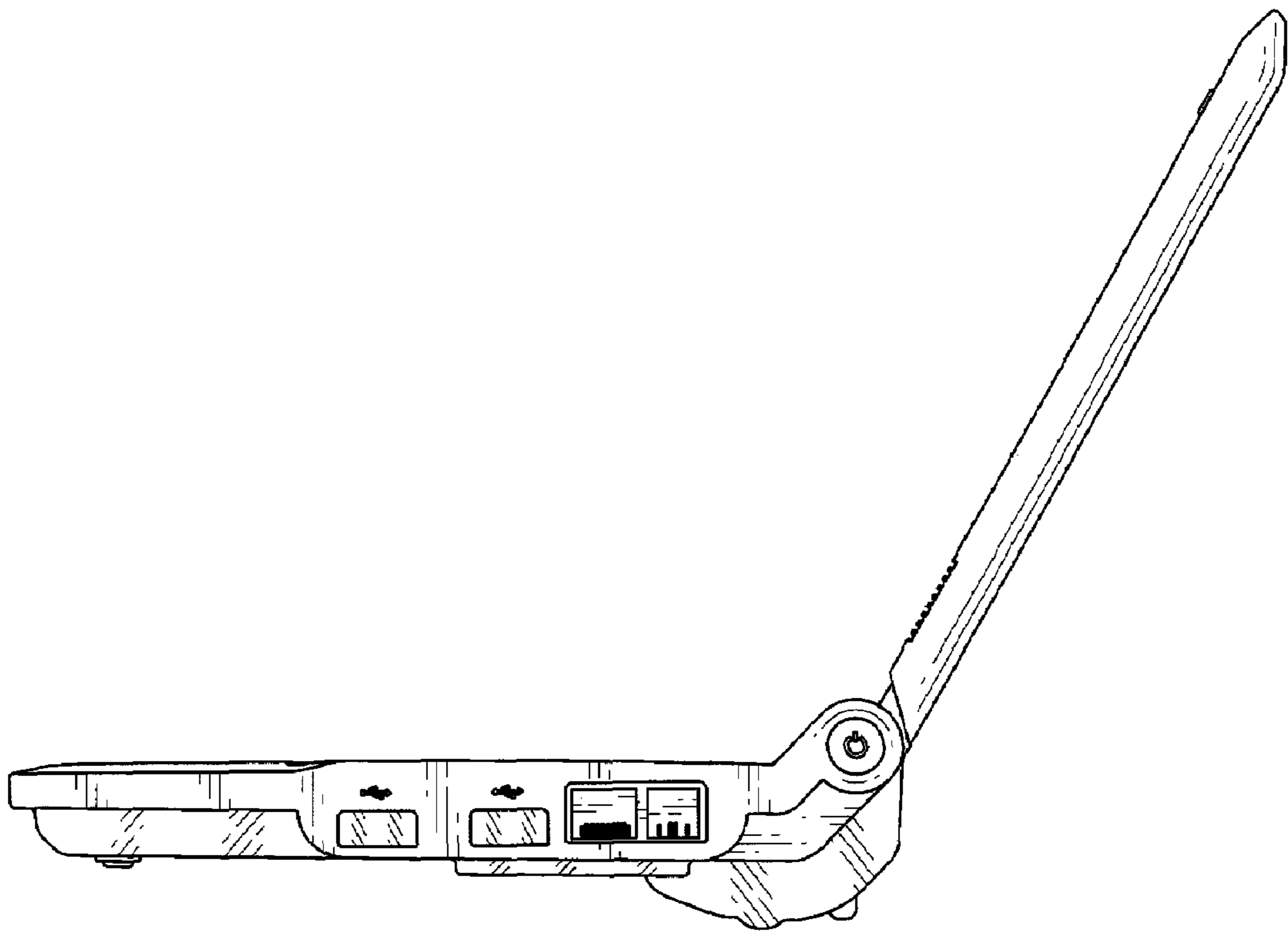


FIG. 5

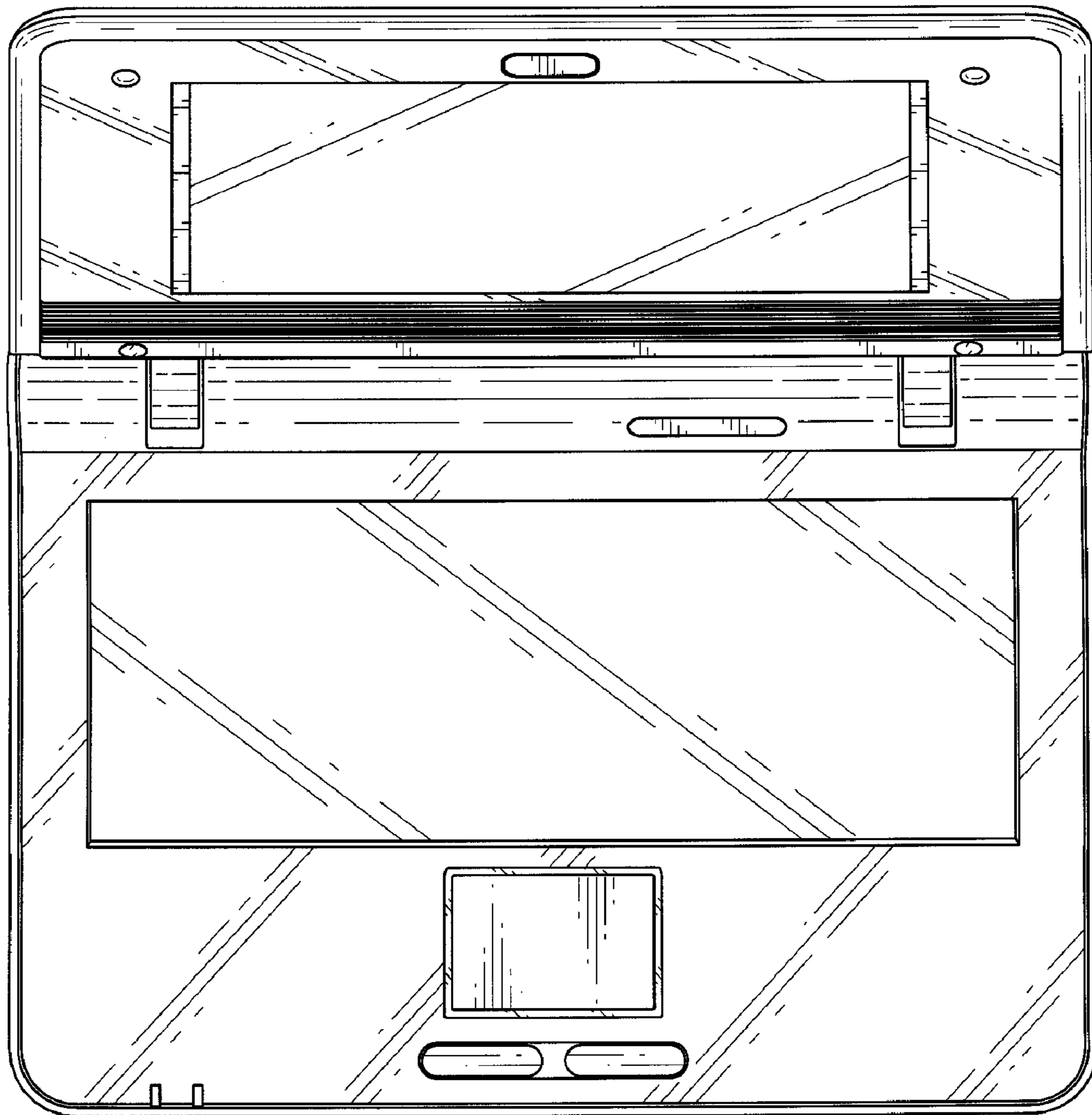


FIG. 6

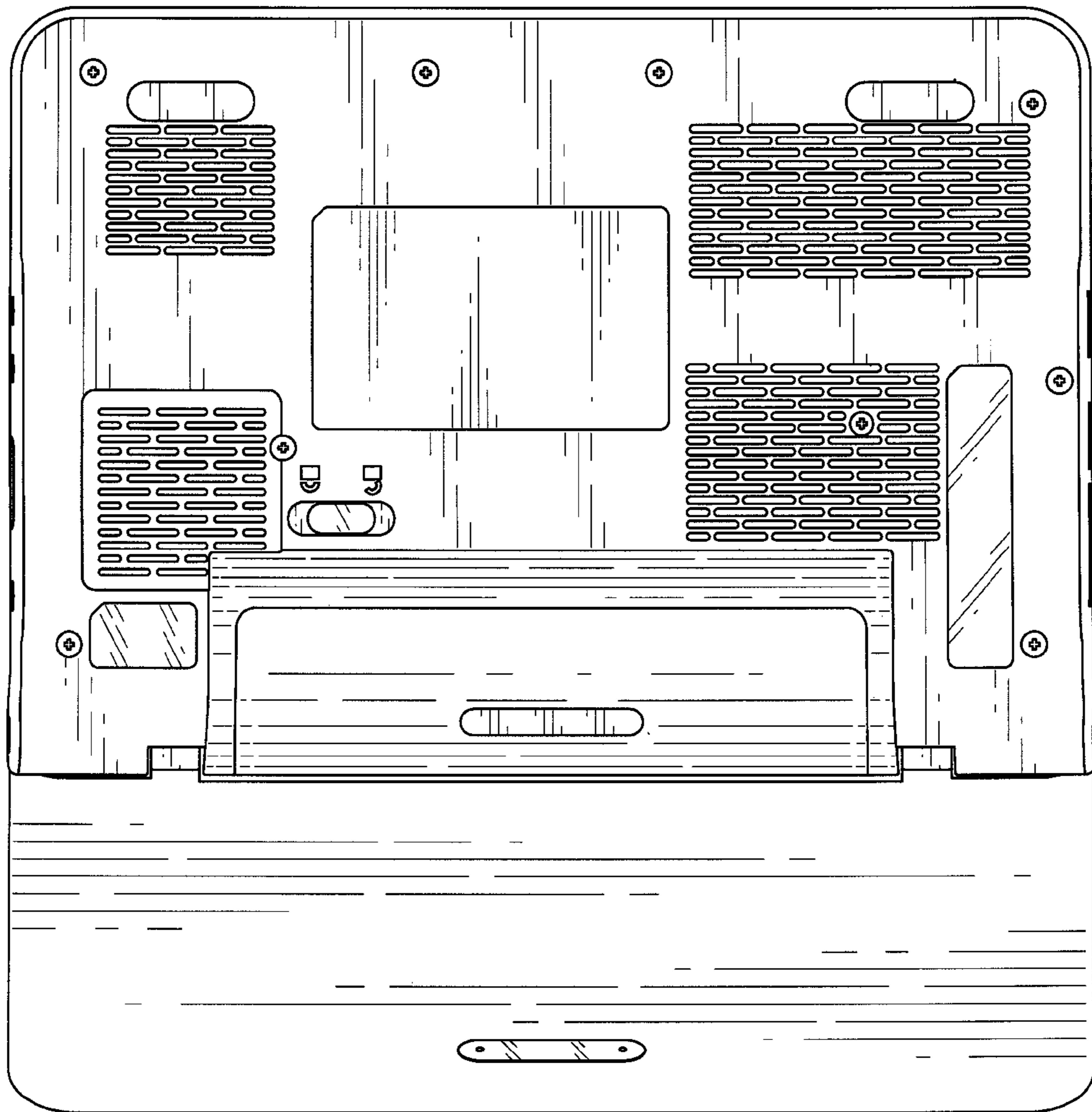


FIG. 7