

US00D591281S

(12) **United States Design Patent**  
**Nenonen**

(10) **Patent No.:** **US D591,281 S**  
(45) **Date of Patent:** **\*\* Apr. 28, 2009**

(54) **FRONT COVER OF A HANDSET**

(75) Inventor: **Mika Nenonen**, Copenhagen (DK)

(73) Assignee: **Nokia Corporation**, Espoo (FI)

(\*\*) Term: **14 Years**

(21) Appl. No.: **29/304,430**

(22) Filed: **Feb. 29, 2008**

(51) **LOC (9) Cl.** ..... **14-03**

(52) **U.S. Cl.** ..... **D14/248**

(58) **Field of Classification Search** ..... D14/137,  
D14/138, 138 AA, 138 R, 147-148, 156,  
D14/218, 247-248, 341-347, 390, 399, 455-456,  
D14/496; D16/208; D21/329, 331, 333,  
D21/517; 348/14.01-14.02; 361/814; 379/433.01-433.13;  
455/90.3, 556.1-556.2, 566, 575.1, 575.3,  
455/575.4; D13/164, 168; 439/165; 343/702;  
345/167, 168, 169

See application file for complete search history.

(56) **References Cited**

**U.S. PATENT DOCUMENTS**

D523,837 S *	6/2006	Lee	.....	D14/138 AA
D532,767 S *	11/2006	Yoshino et al.	.....	D14/138 AA
D539,257 S *	3/2007	Obata et al.	.....	D14/138 AA
D545,800 S *	7/2007	Ou et al.	.....	D14/138 AA
D546,314 S *	7/2007	Im	.....	D14/138 AA
D549,208 S *	8/2007	Huang et al.	.....	D14/138 AA
D560,648 S *	1/2008	Lee et al.	.....	D14/138 AA
D563,379 S *	3/2008	Mai et al.	.....	D14/138 AA
D570,833 S *	6/2008	He	.....	D14/248
D575,282 S *	8/2008	Eroma et al.	.....	D14/248
D576,589 S *	9/2008	Montin et al.	.....	D14/138 AA
D580,902 S *	11/2008	Bolton et al.	.....	D14/138 R

2007/0296702 A1\* 12/2007 Strawn et al. .... 345/169

**OTHER PUBLICATIONS**

Sony Ericsson K618, announced Aug. 2006, <URL:http://www.gsmarena.com/sony\_ericsson\_k618-pictures-1660.php>, retrieved from internet Dec. 14, 2008 2:20:59 PM.\*

LG KP130, announced Feb. 2008, <URL:http://www.gsmarena.com/lg\_kp130-2310.php>, retrieved from internet Dec. 14, 2008 2:26:42 PM.\*

Nokia Model # 6300, Nokia Corporation, 1 color sheet of photographs, disclosed on or about Nov. 2006.

Nokia Model # 6220 Classic, Nokia Corporation, 1 color sheet of photographs, disclosed on or about Feb. 11, 2008.

\* cited by examiner

*Primary Examiner*—Ian Simmons

*Assistant Examiner*—Carla Jobe Wright

(74) *Attorney, Agent, or Firm*—Banner & Witcoff, Ltd.

(57) **CLAIM**

The ornamental design for a front cover of a handset, as shown and described.

**DESCRIPTION**

FIG. 1 is a front perspective view of a front cover of a handset showing my new design;

FIG. 2 is a front view thereof;

FIG. 3 is a right side view thereof;

FIG. 4 is a left side view thereof;

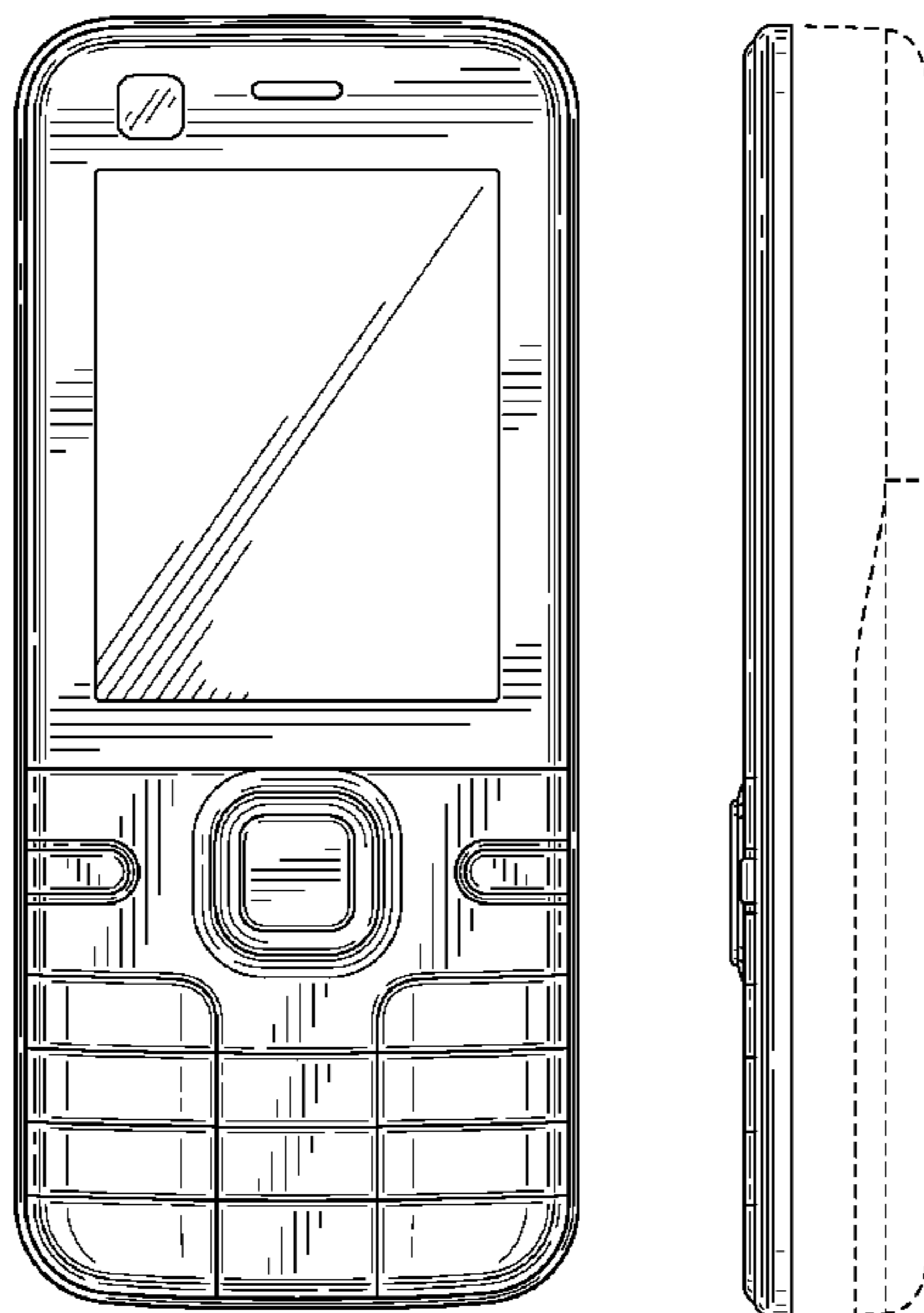
FIG. 5 is a top view thereof;

FIG. 6 is a bottom view thereof; and,

FIG. 7 is a rear view thereof.

The broken line showing of the remainder of the handset is for illustrative purposes only and forms no part of the claimed design.

**1 Claim, 4 Drawing Sheets**



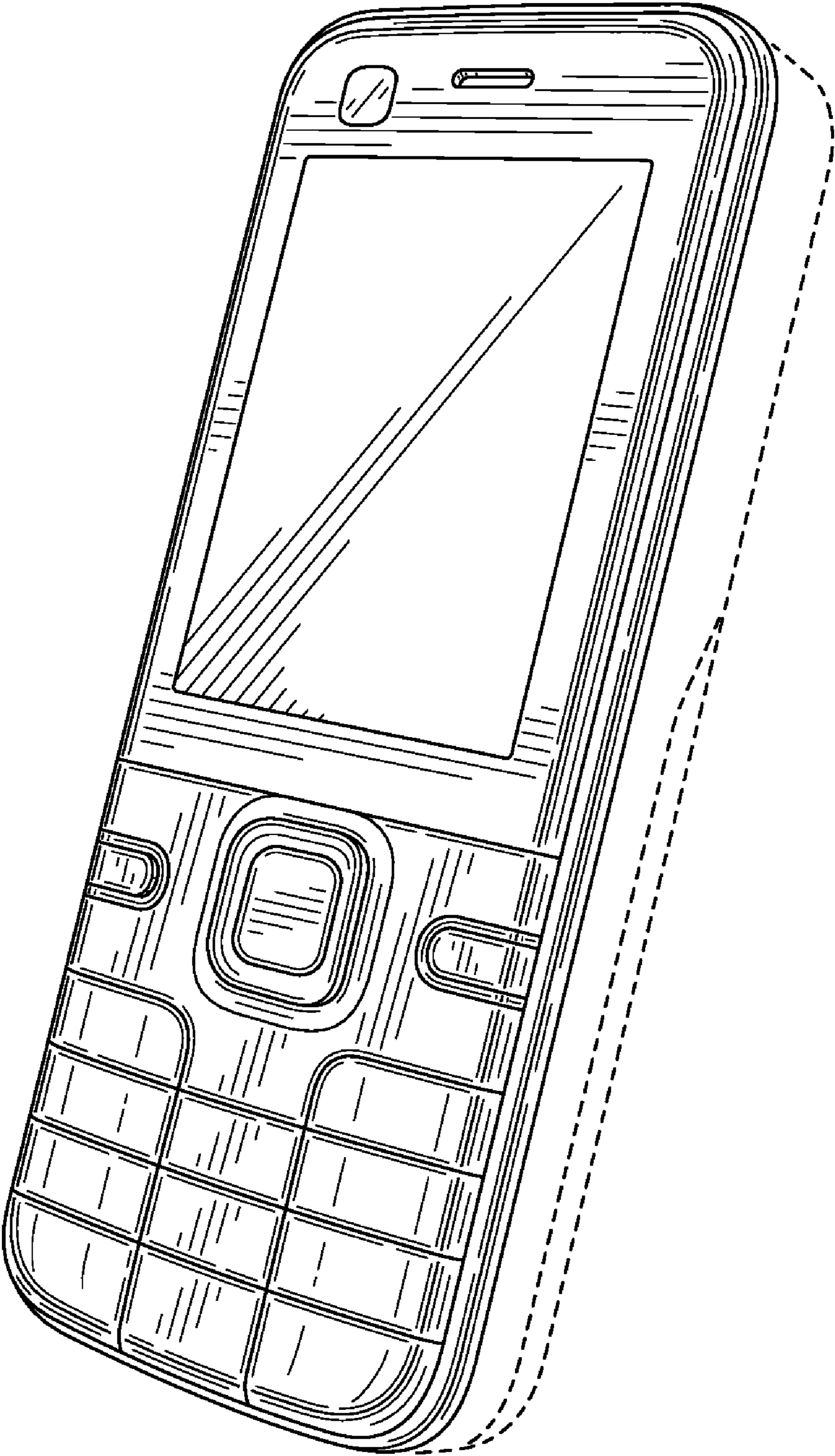


FIG. 1

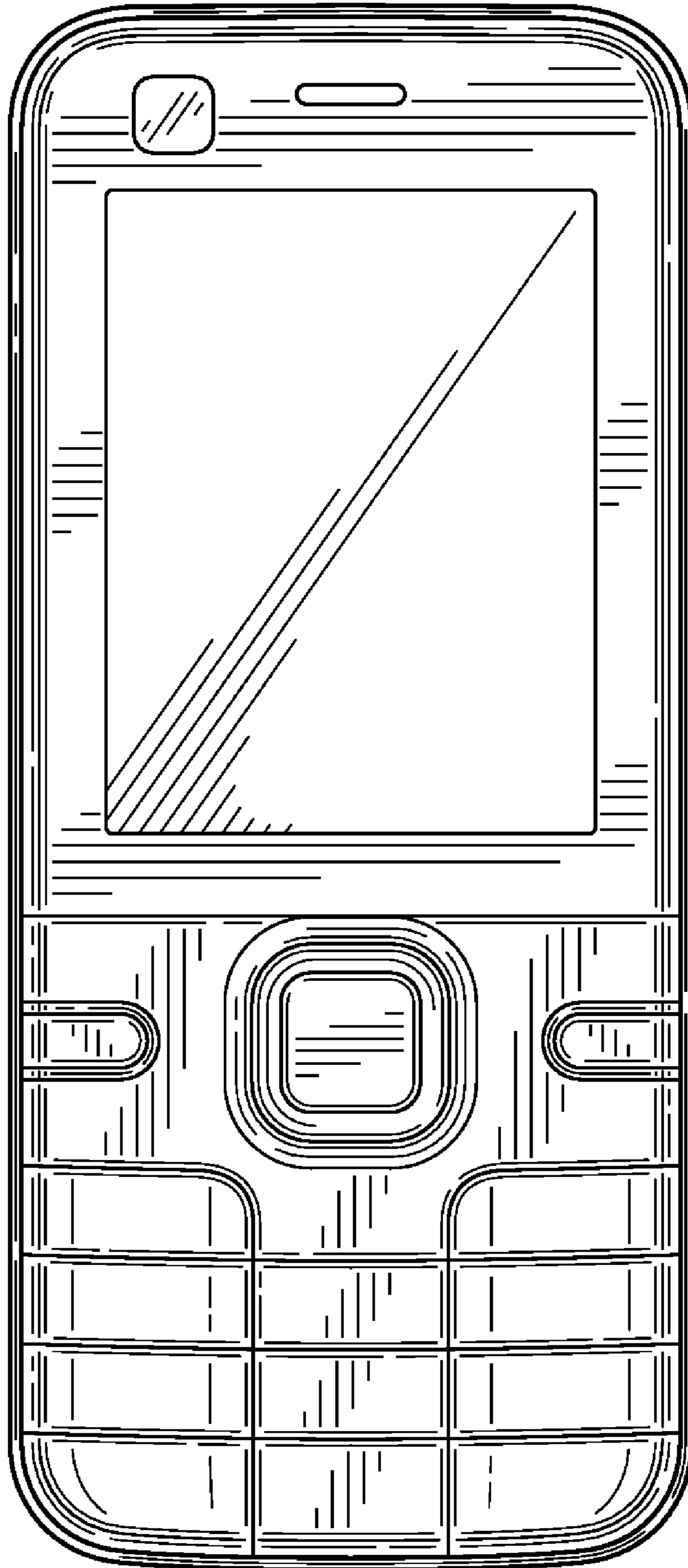


FIG. 2

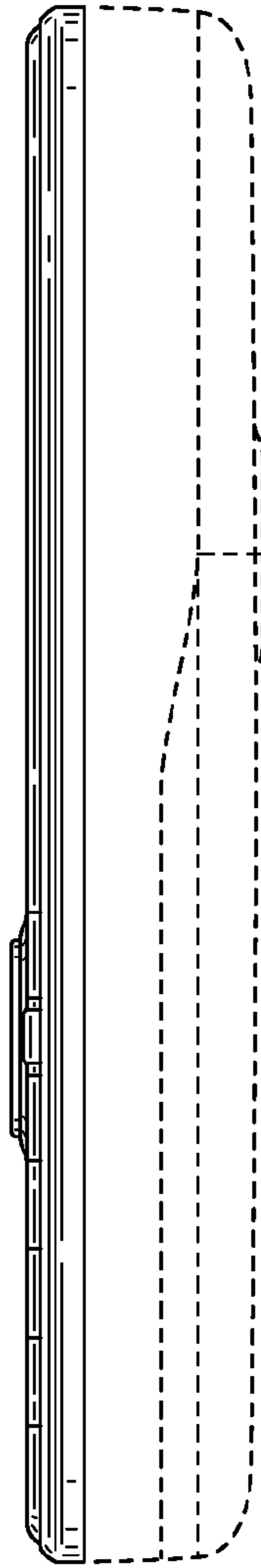


FIG. 3

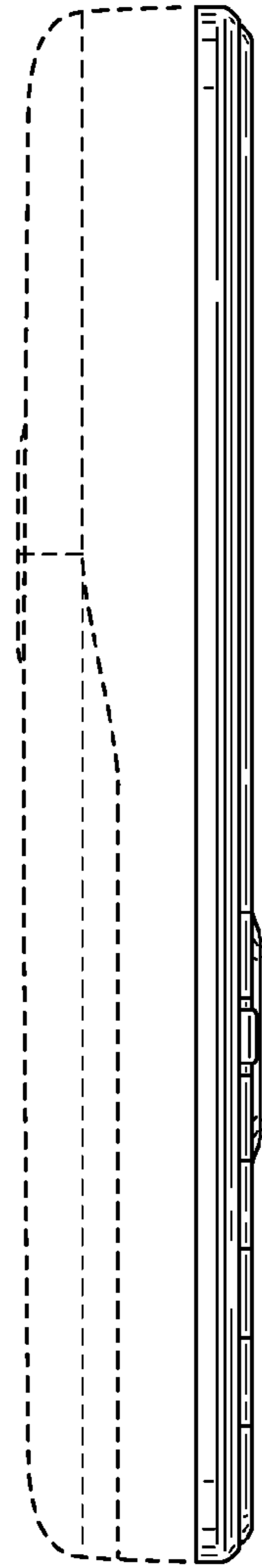


FIG. 4

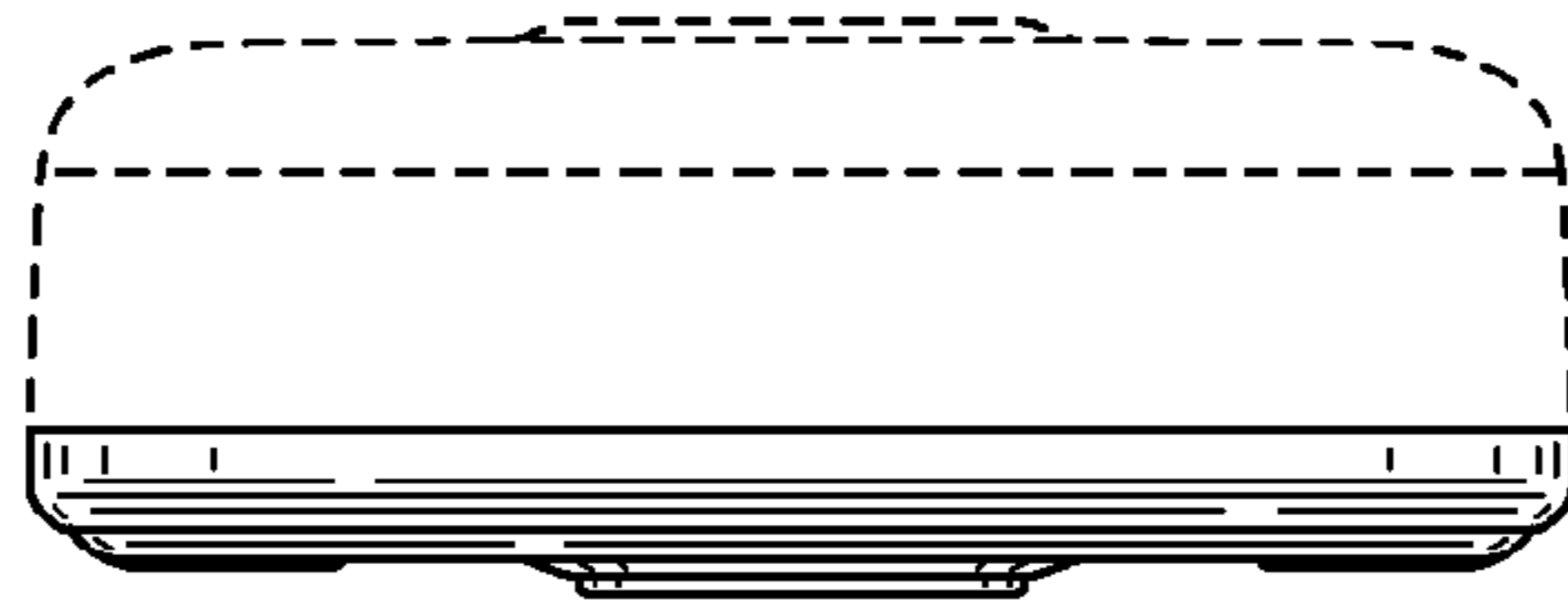


FIG. 5

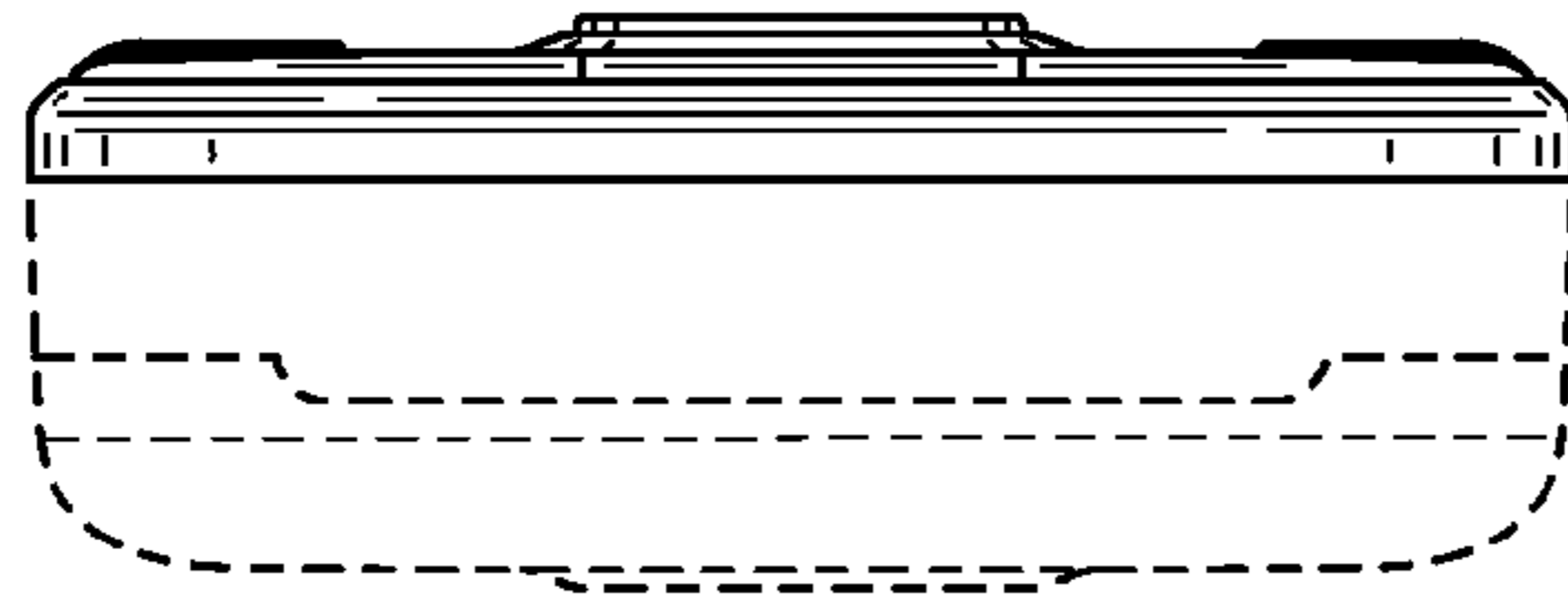


FIG. 6

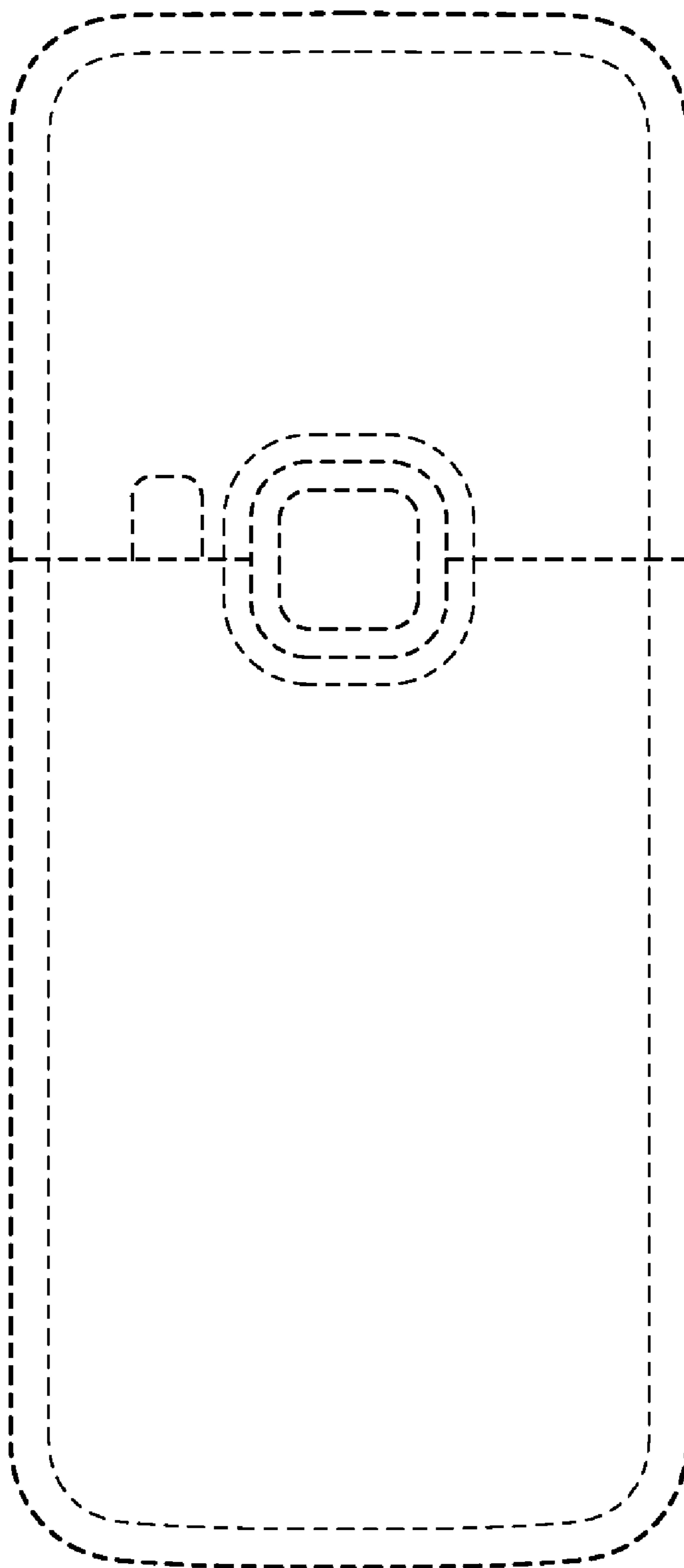


FIG. 7