



US00D591277S

(12) **United States Design Patent**
Sarasjoki

(10) **Patent No.:** **US D591,277 S**

(45) **Date of Patent:** **** Apr. 28, 2009**

(54) **COMBINATION HANDSFREE DEVICE FOR A
HANDSET AND CHARGER**

(75) Inventor: **Lea Sarasjoki, Salo (FI)**

(73) Assignee: **Nokia Corporation, Espoo (FI)**

(**) Term: **14 Years**

(21) Appl. No.: **29/277,193**

(22) Filed: **Feb. 16, 2007**

(30) **Foreign Application Priority Data**

Aug. 18, 2006 (FI) M20060154

(51) **LOC (9) Cl.** **14-03**

(52) **U.S. Cl.** **D14/240; D13/144**

(58) **Field of Classification Search** D14/188,
D14/242, 496, 230-237, 241, 167, 302, 314,
D14/348-358, 363, 383, 433, 43, 439-441,
D14/140-140.94, 240; D13/144, 149, 184;
D3/201, 273; 711/100, 115; 361/685, 725,
361/752; 369/272.1, 273, 75.11; 360/133,
360/79.01, 97.03; 379/220.01, 221.09, 220.14,
379/25, 93.09, 93.19, 156, 900, 338-339,
379/441

See application file for complete search history.

(56) **References Cited**

U.S. PATENT DOCUMENTS

- D350,113 S * 8/1994 Nagele D13/110
- D404,037 S * 1/1999 Gomez et al. D14/240
- 5,860,824 A * 1/1999 Fan 439/265
- D433,379 S * 11/2000 Jokinen D13/107
- D464,316 S * 10/2002 Nazar D13/110
- D465,781 S * 11/2002 Fischer D14/240
- D506,455 S * 6/2005 Bey et al. D14/155
- D530,710 S * 10/2006 Kettula et al. D14/240
- D548,692 S * 8/2007 Krieger et al. D14/110
- D559,776 S * 1/2008 Kim D13/108

D569,876 S * 5/2008 Griffin D14/496

* cited by examiner

Primary Examiner—Charles A Rademaker

Assistant Examiner—Charles D Hanson

(74) *Attorney, Agent, or Firm*—Banner & Witcoff, Ltd.

(57) **CLAIM**

The ornamental design for combination handsfree device for a handset and charger, as shown and described.

DESCRIPTION

FIG. 1 is a front view of a combination handsfree device for a handset and charger showing my new design;

FIG. 2 is a rear view thereof;

FIG. 3 is a bottom plan view thereof;

FIG. 4 is a top plan view thereof;

FIG. 5 is a right side view thereof;

FIG. 6 is a left side view thereof;

FIG. 7 is a perspective front view thereof;

FIG. 8 is a perspective rear view thereof;

FIG. 9 is a right side view thereof, in an alternate position;

FIG. 10 is a left side view thereof;

FIG. 11 is a front view of a modified embodiment of the design shown in FIGS. 1-10;

FIG. 12 is a rear view thereof;

FIG. 13 is a bottom plan view thereof;

FIG. 14 is a top plan view thereof;

FIG. 15 is a right side view thereof;

FIG. 16 is a left side view thereof;

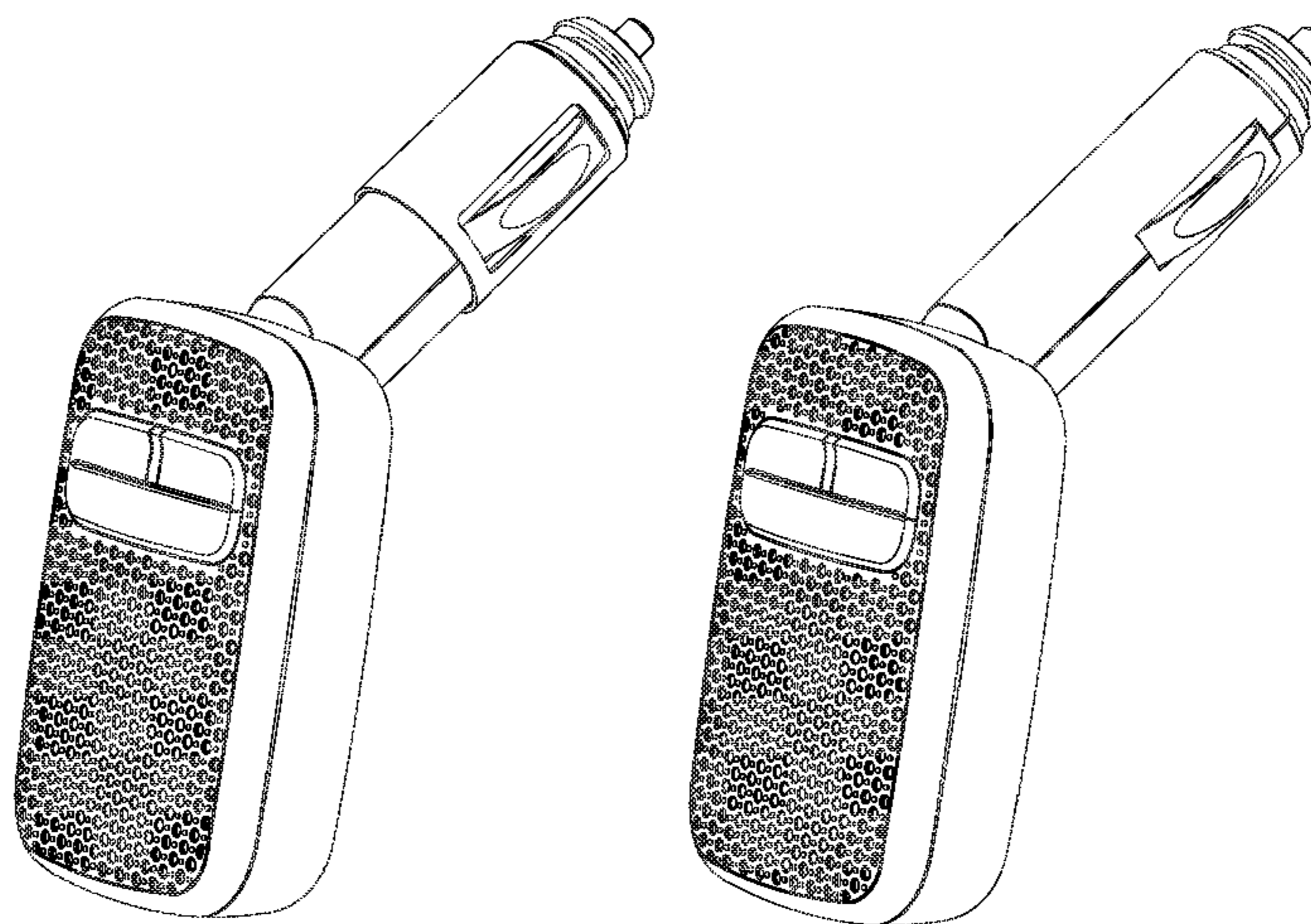
FIG. 17 is a perspective front view thereof;

FIG. 18 is a perspective rear view thereof;

FIG. 19 is a right side view thereof, in an alternate position; and,

FIG. 20 is a left side view thereof.

1 Claim, 10 Drawing Sheets



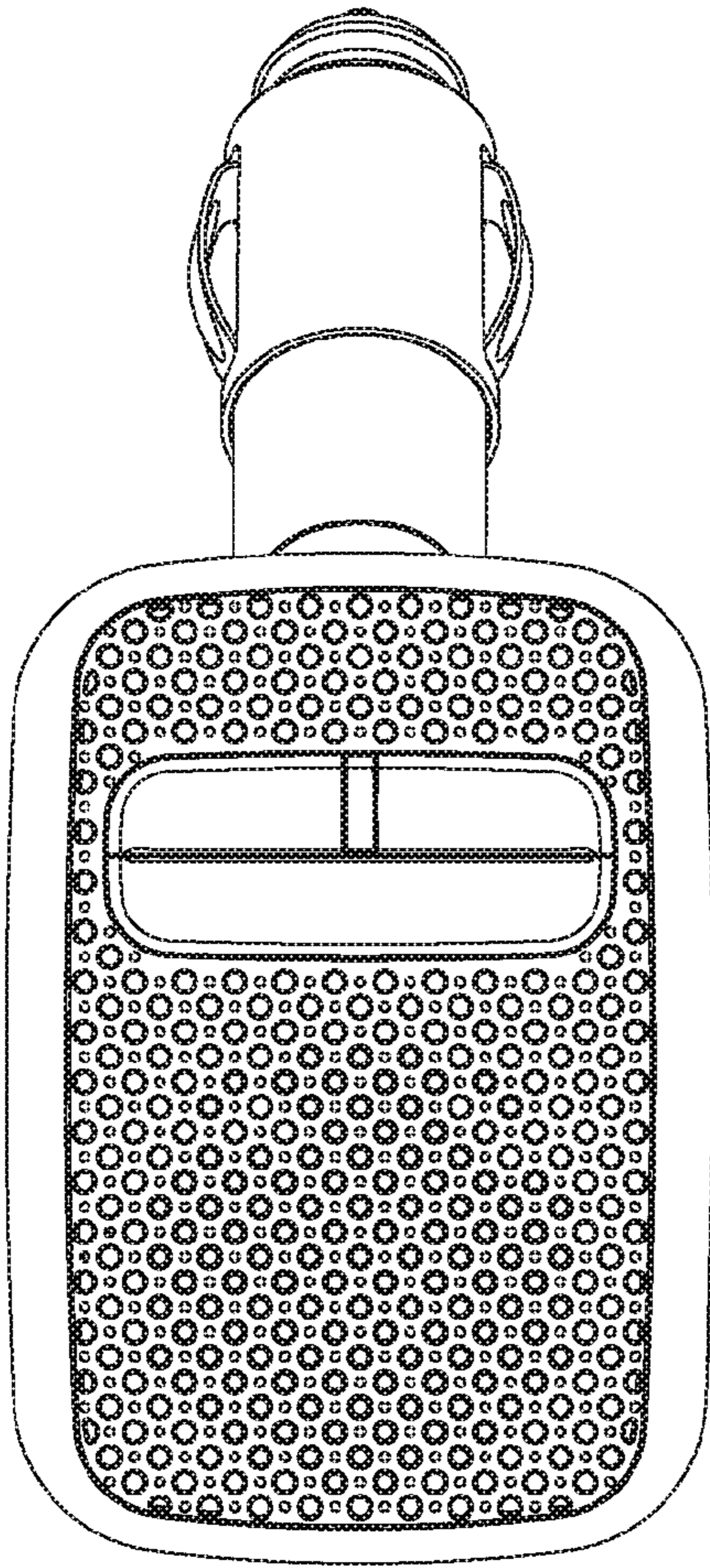


FIG. 1

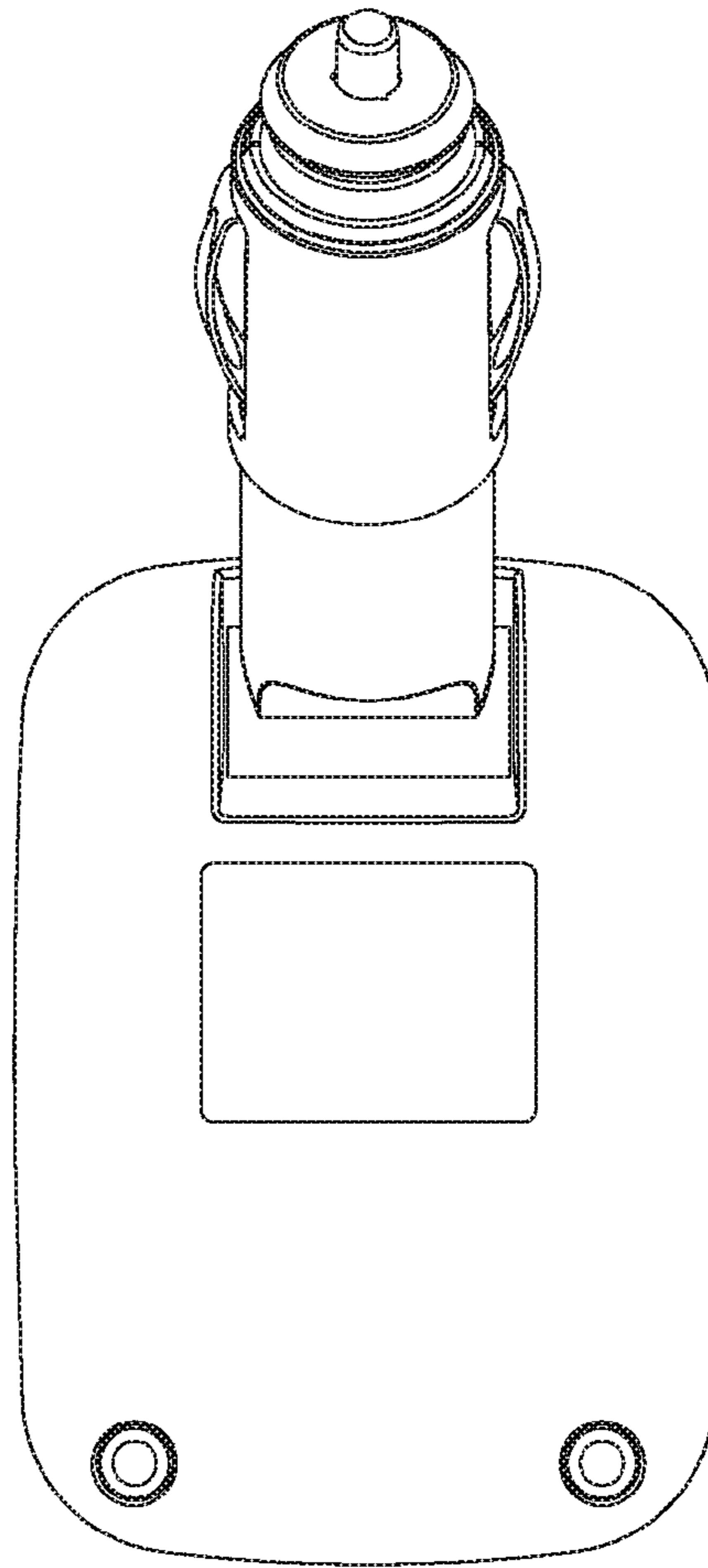


FIG. 2

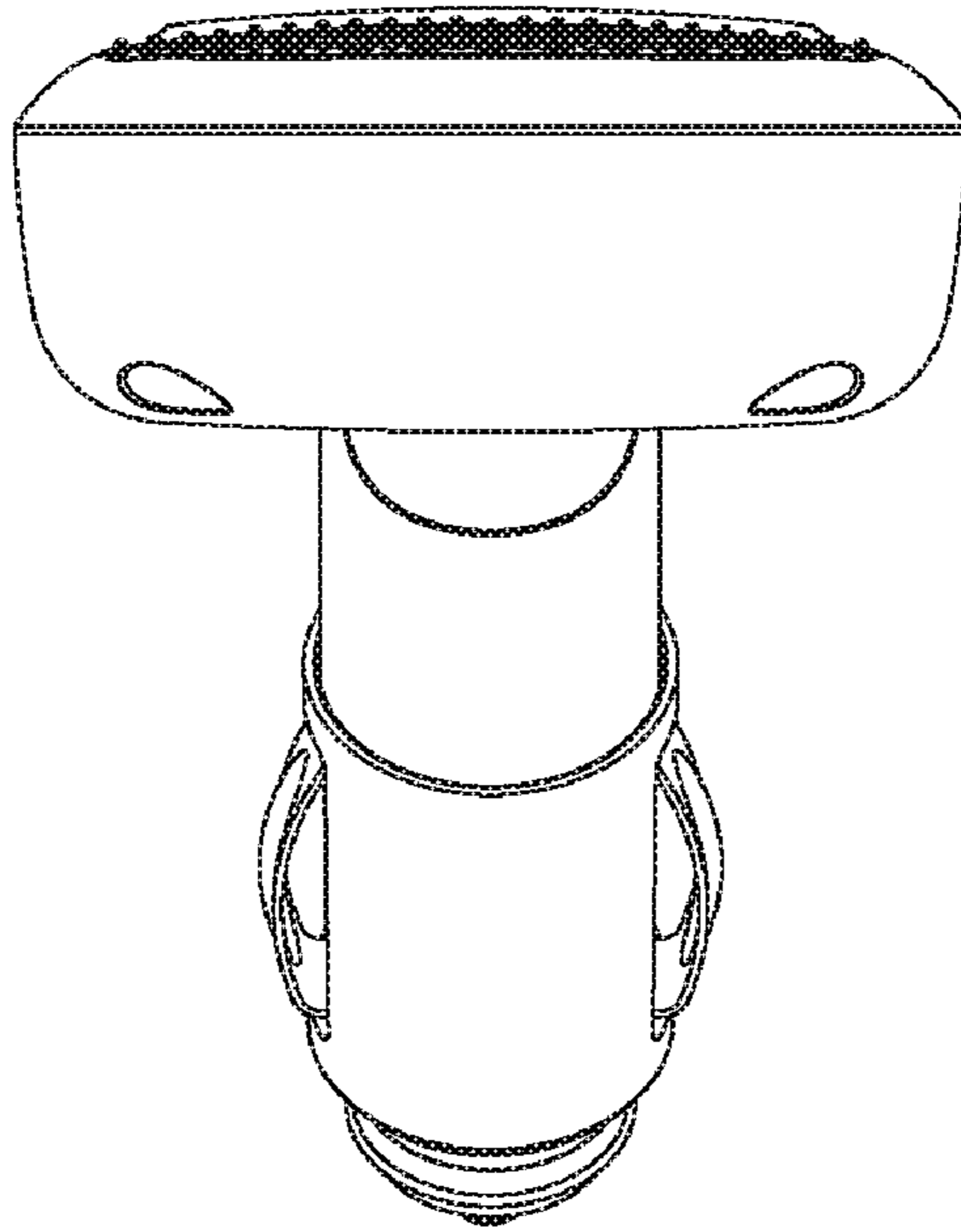


FIG. 3

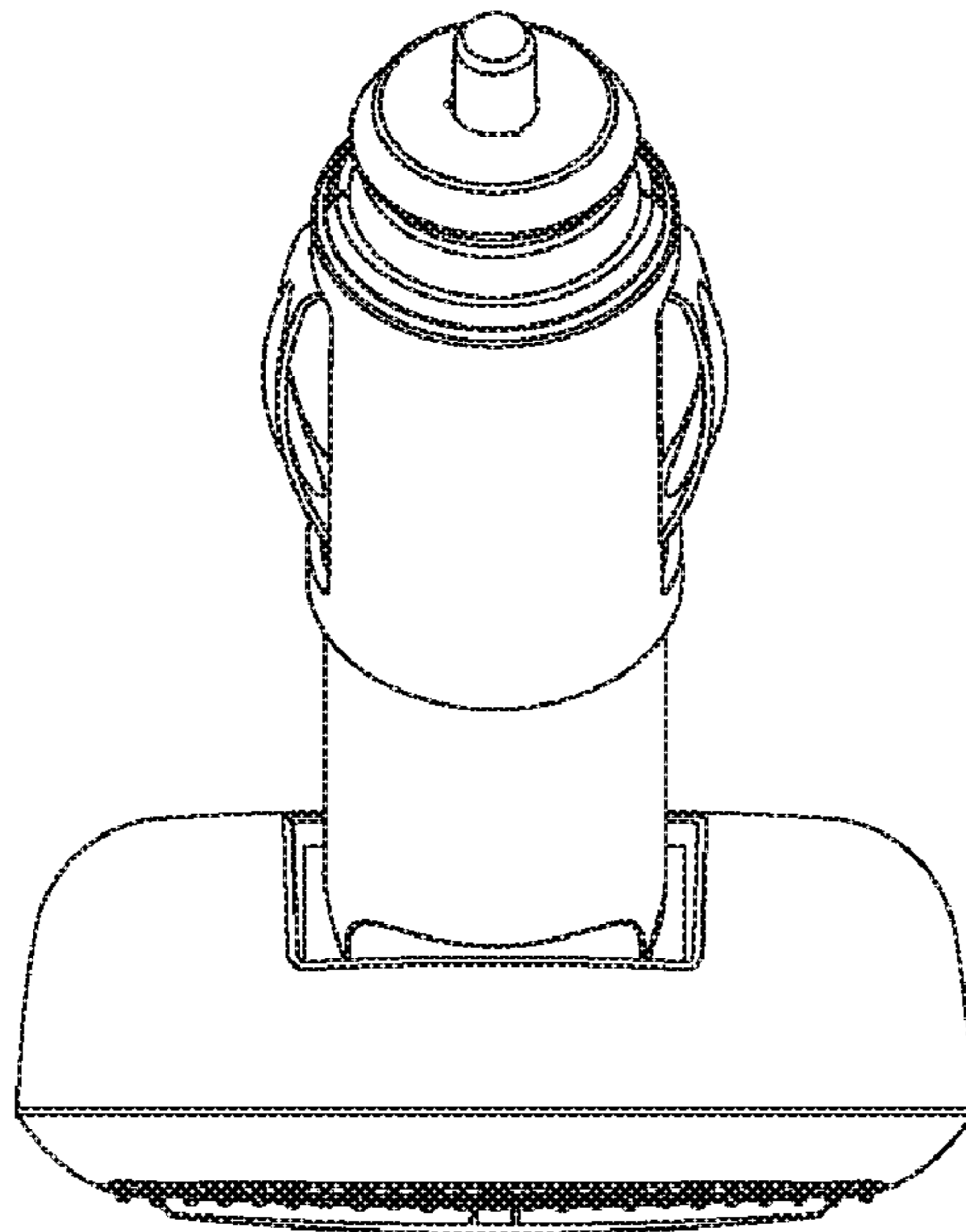


FIG. 4

FIG. 5

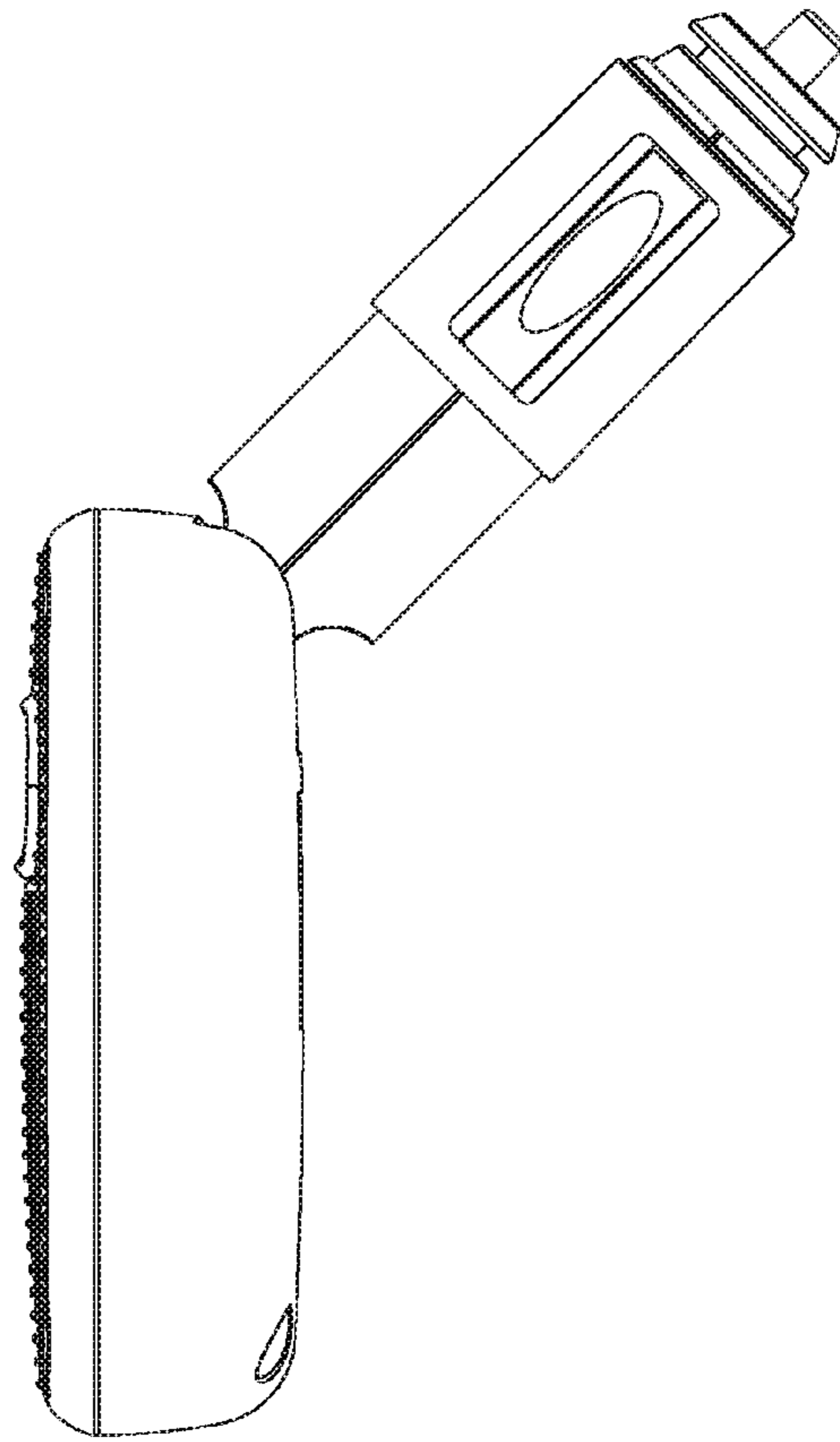
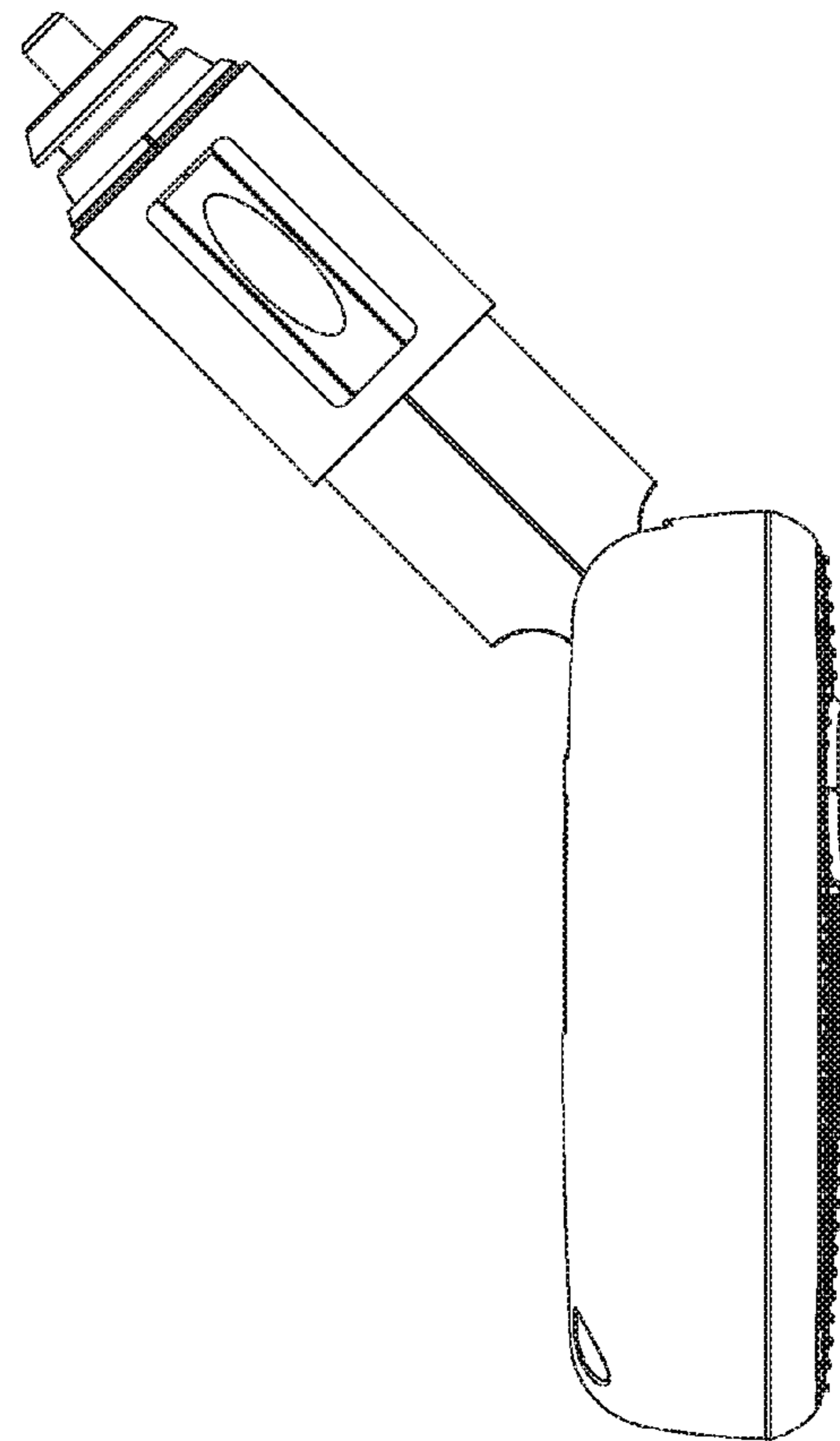


FIG. 6



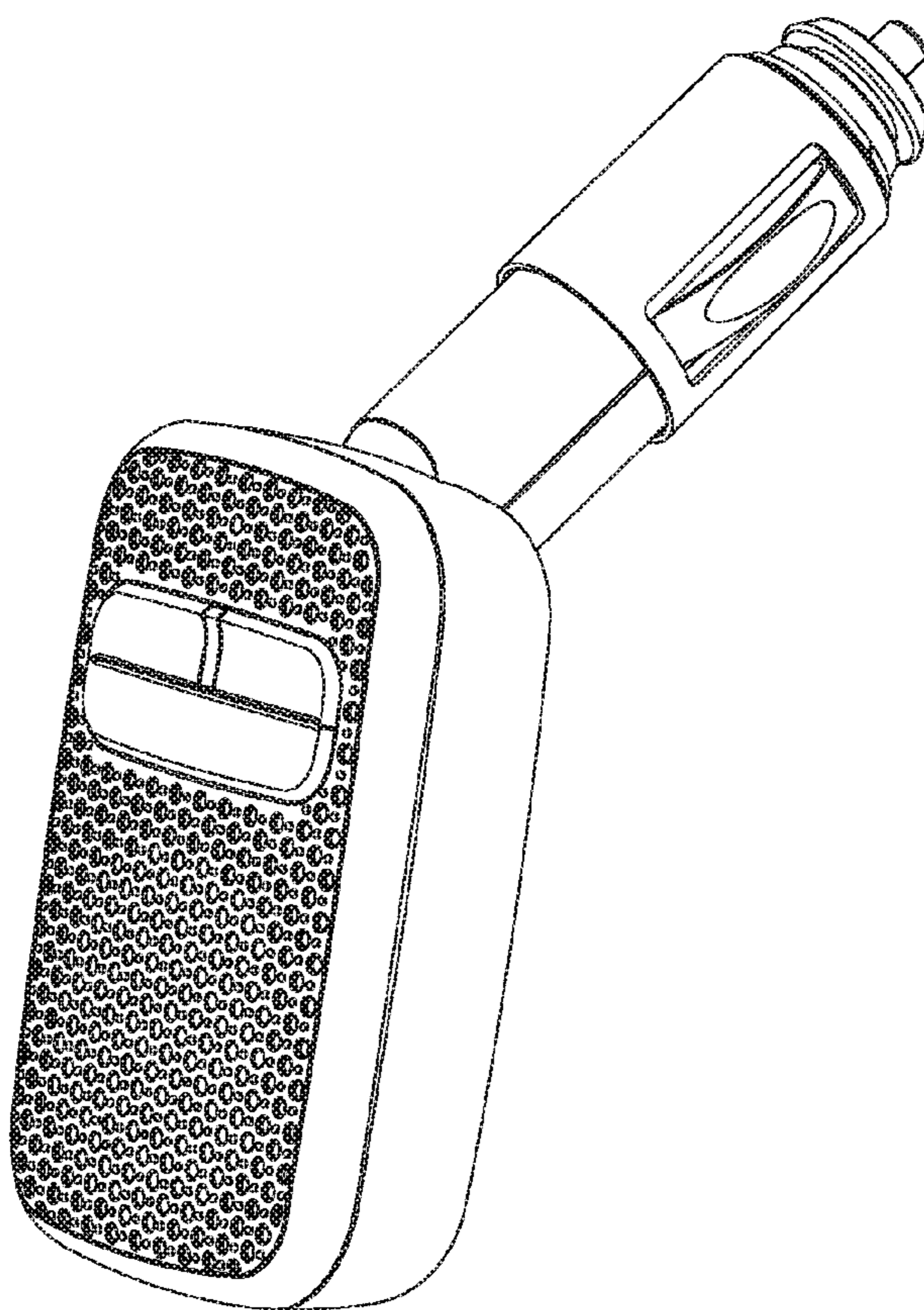


FIG. 7

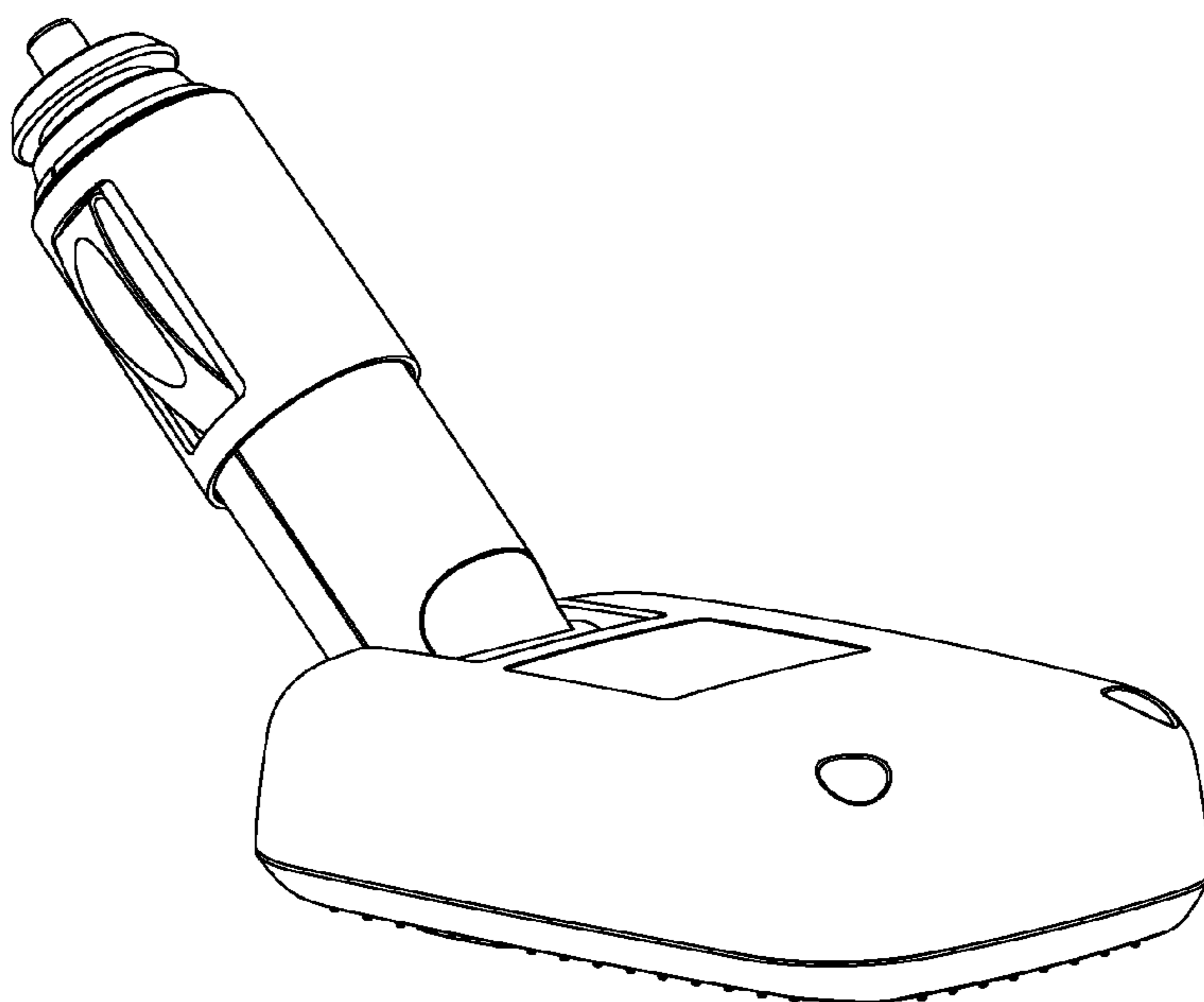


FIG. 8

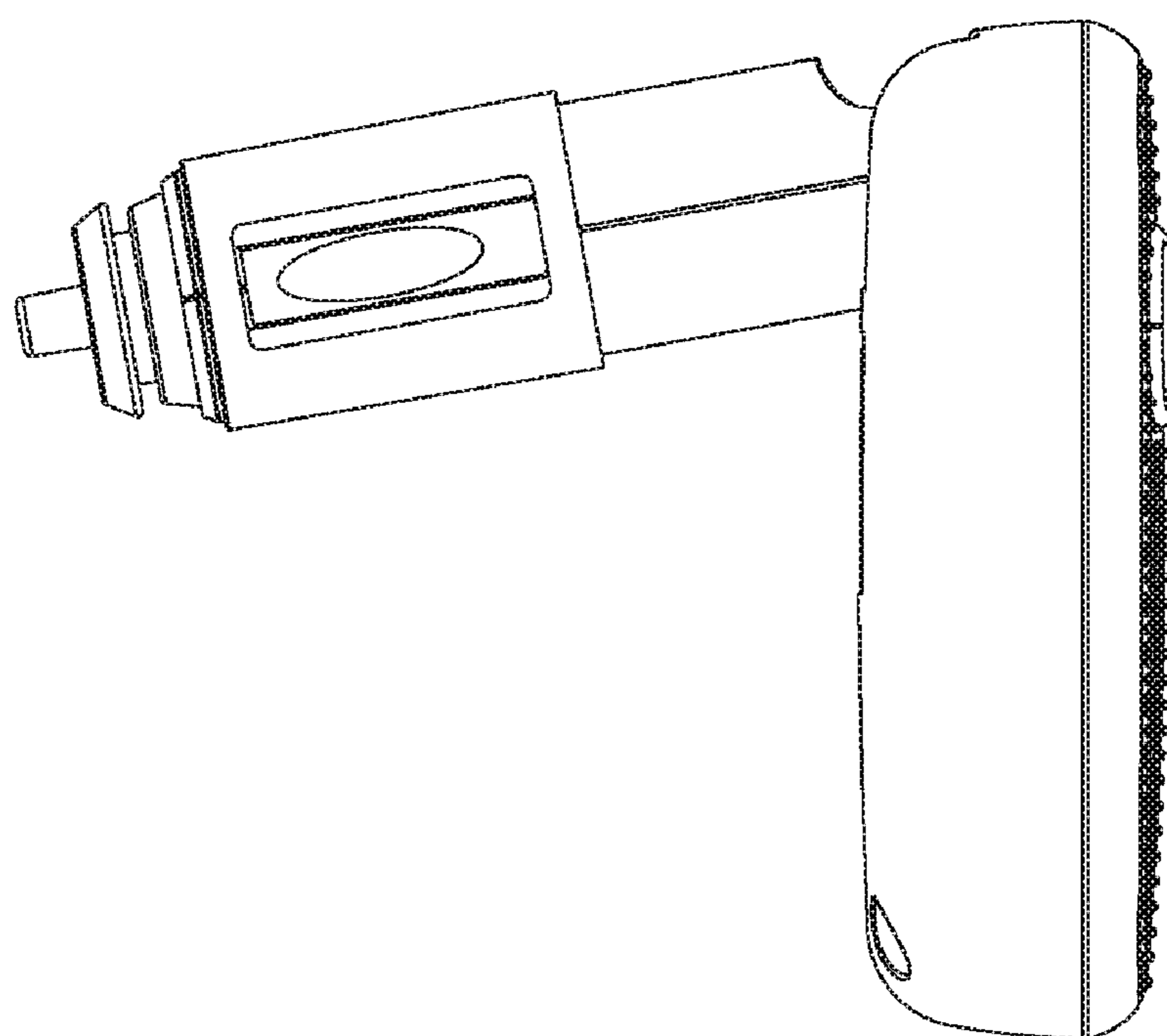
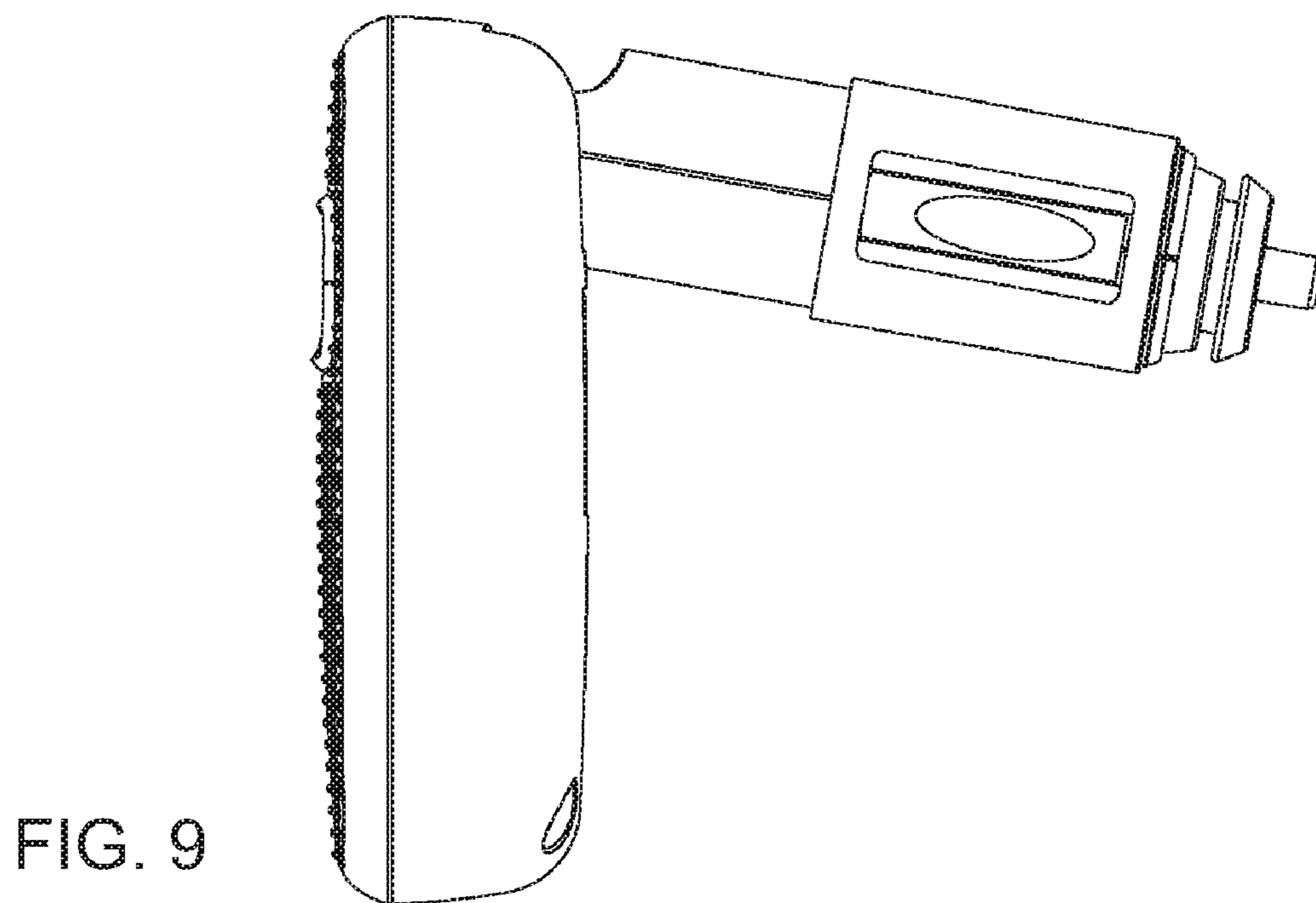


FIG. 10

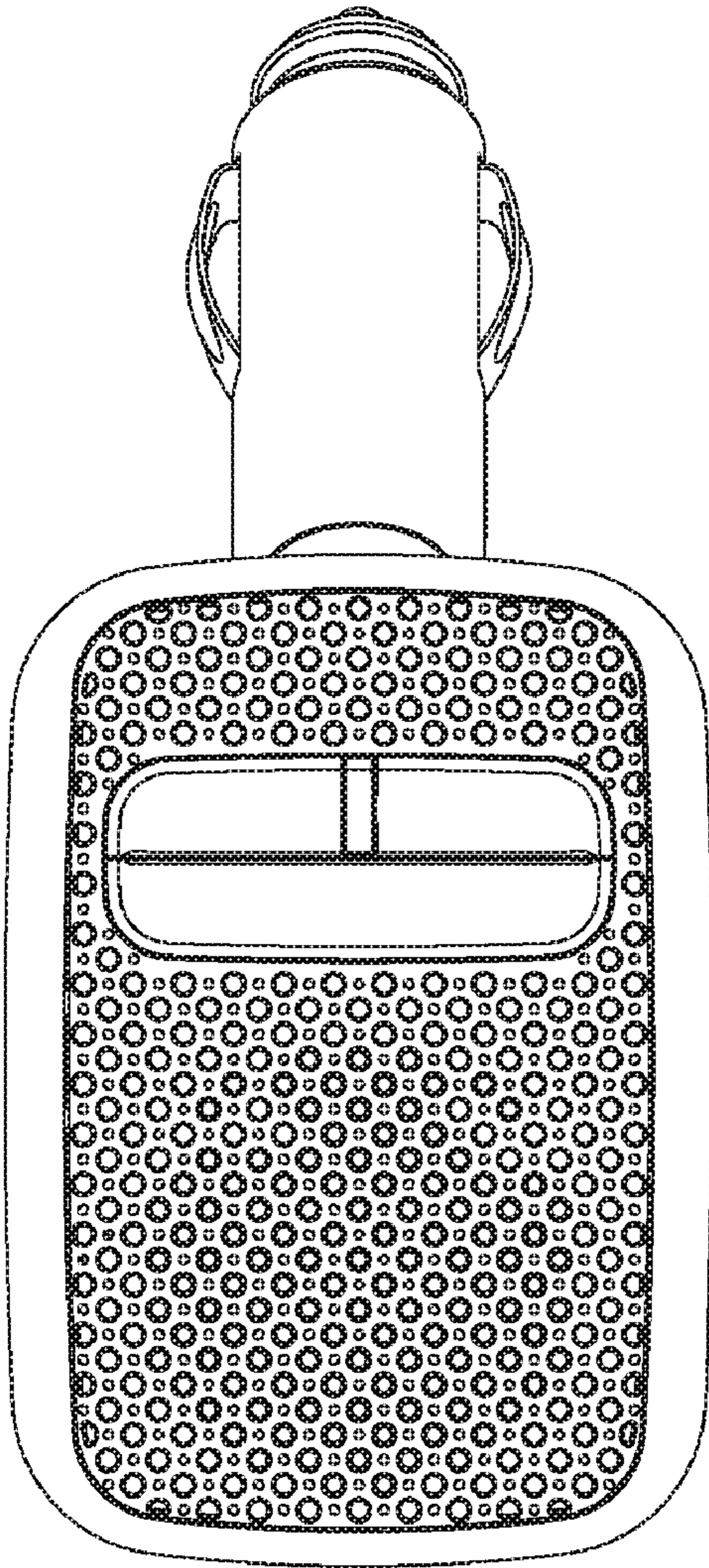


FIG. 11

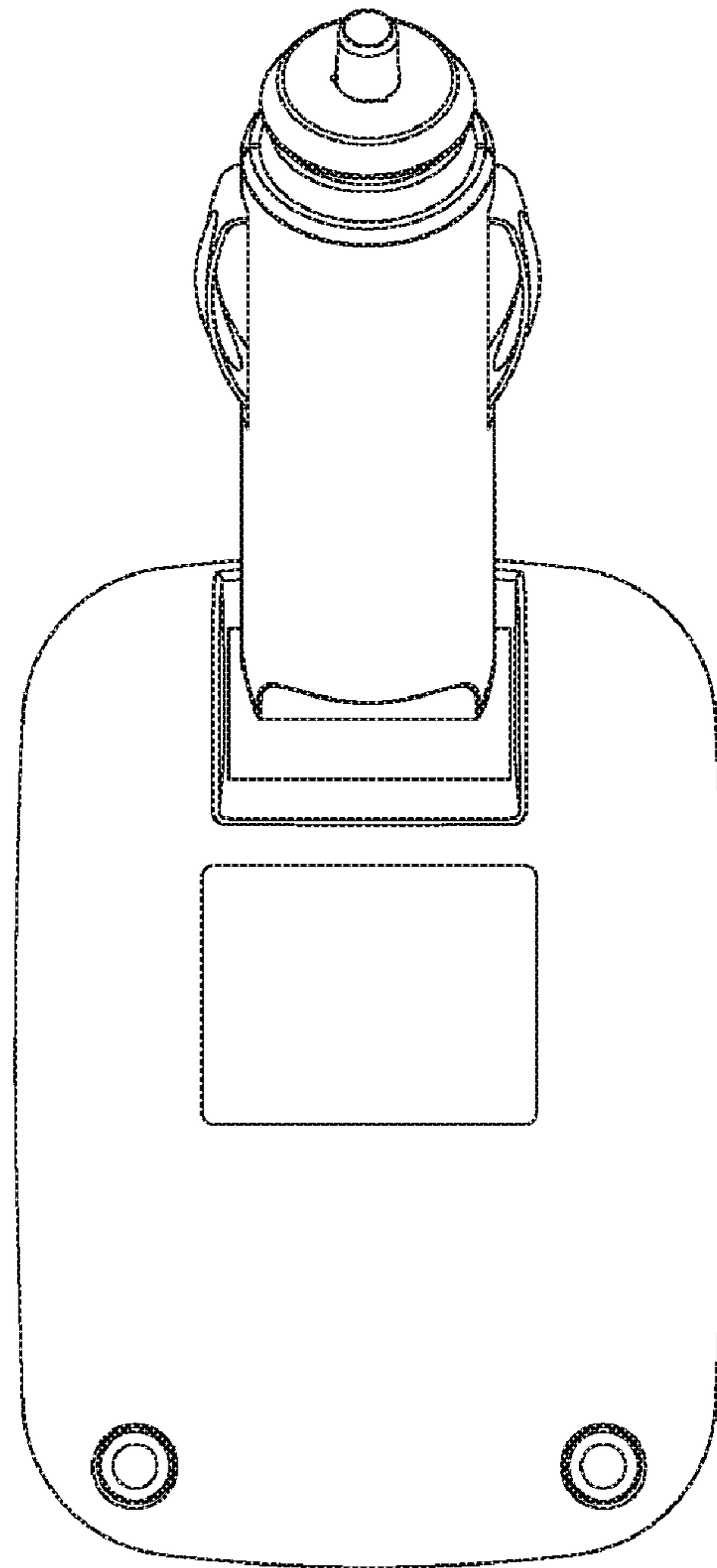


FIG. 12

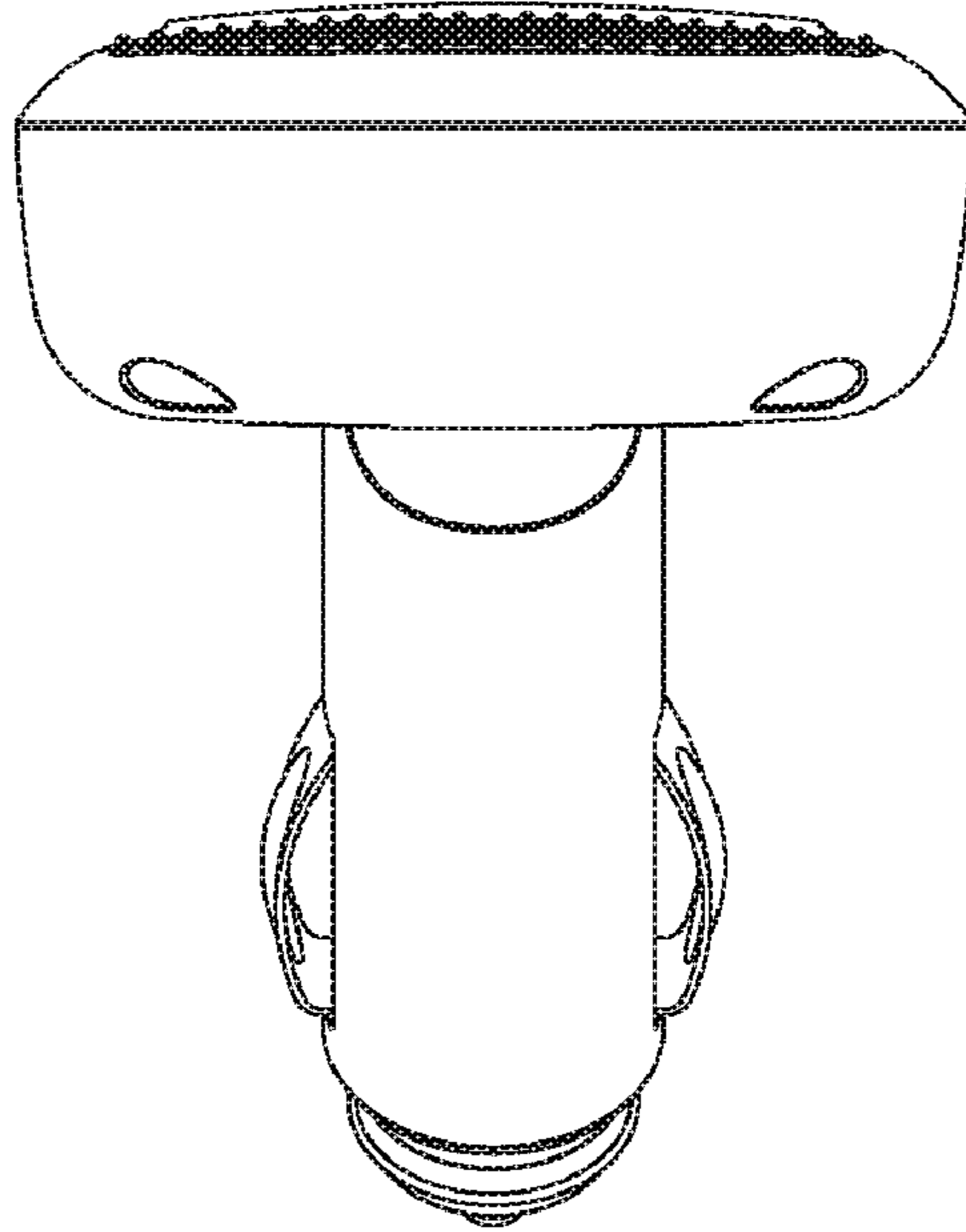


FIG. 13

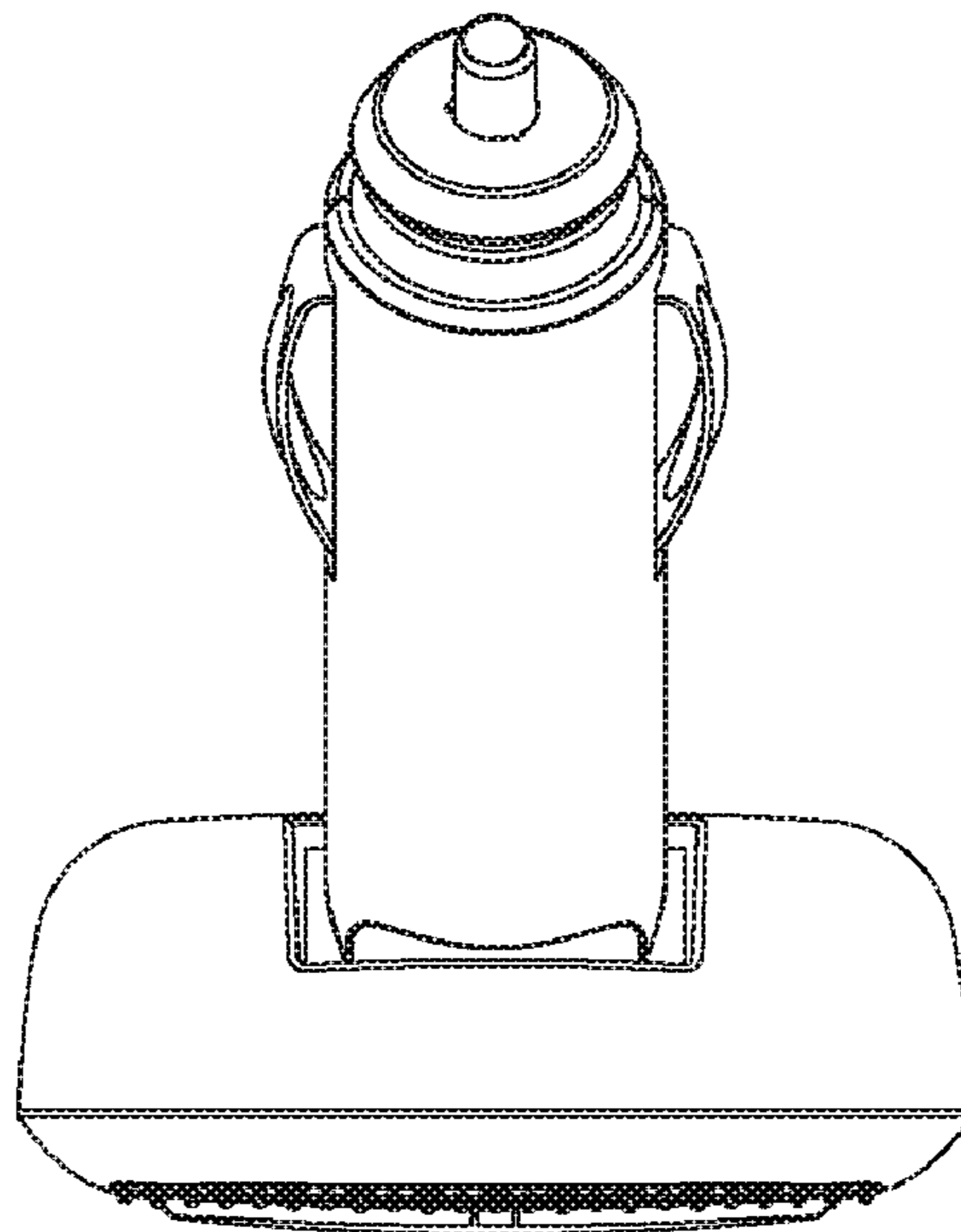


FIG. 14

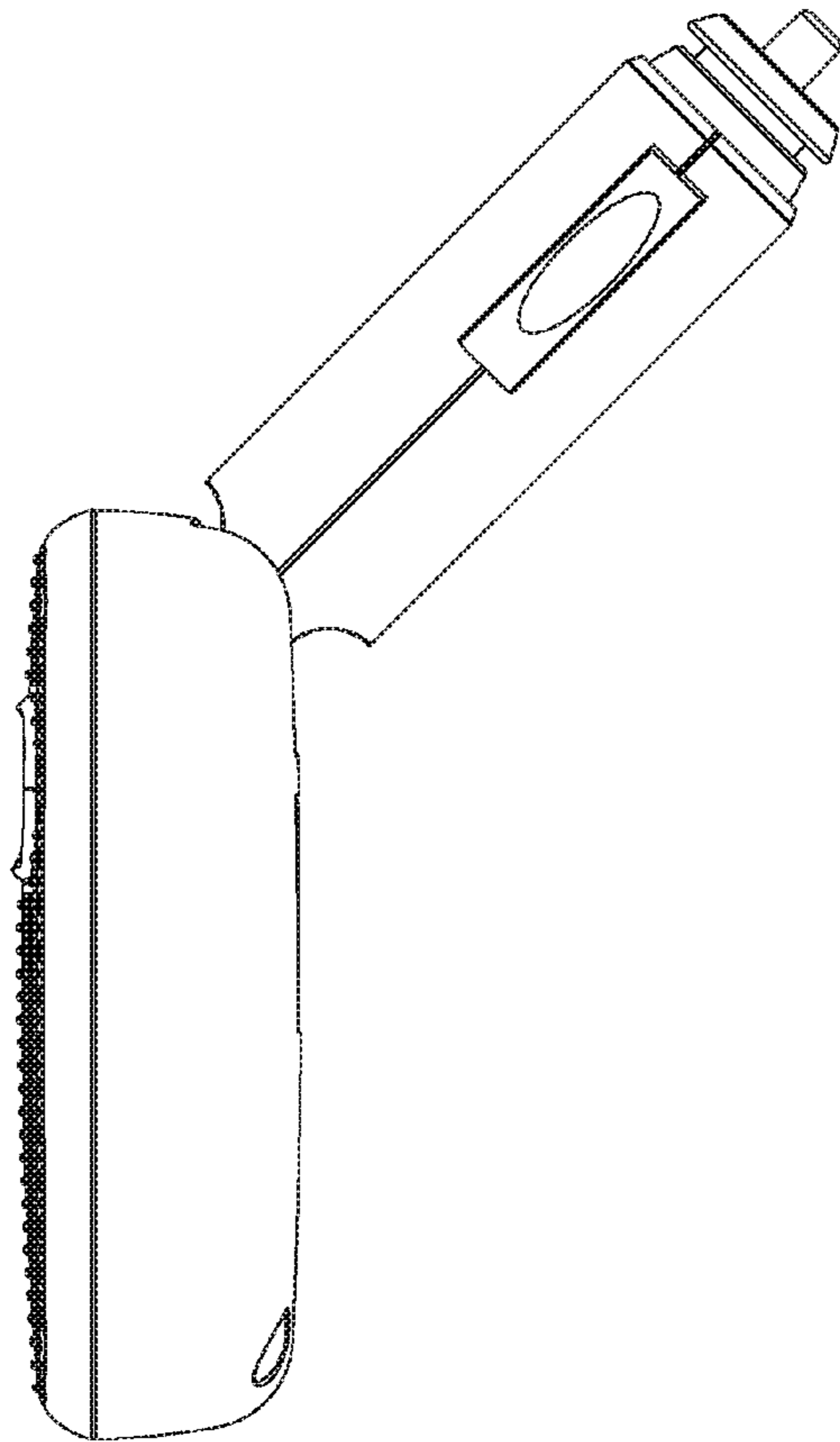


FIG. 15

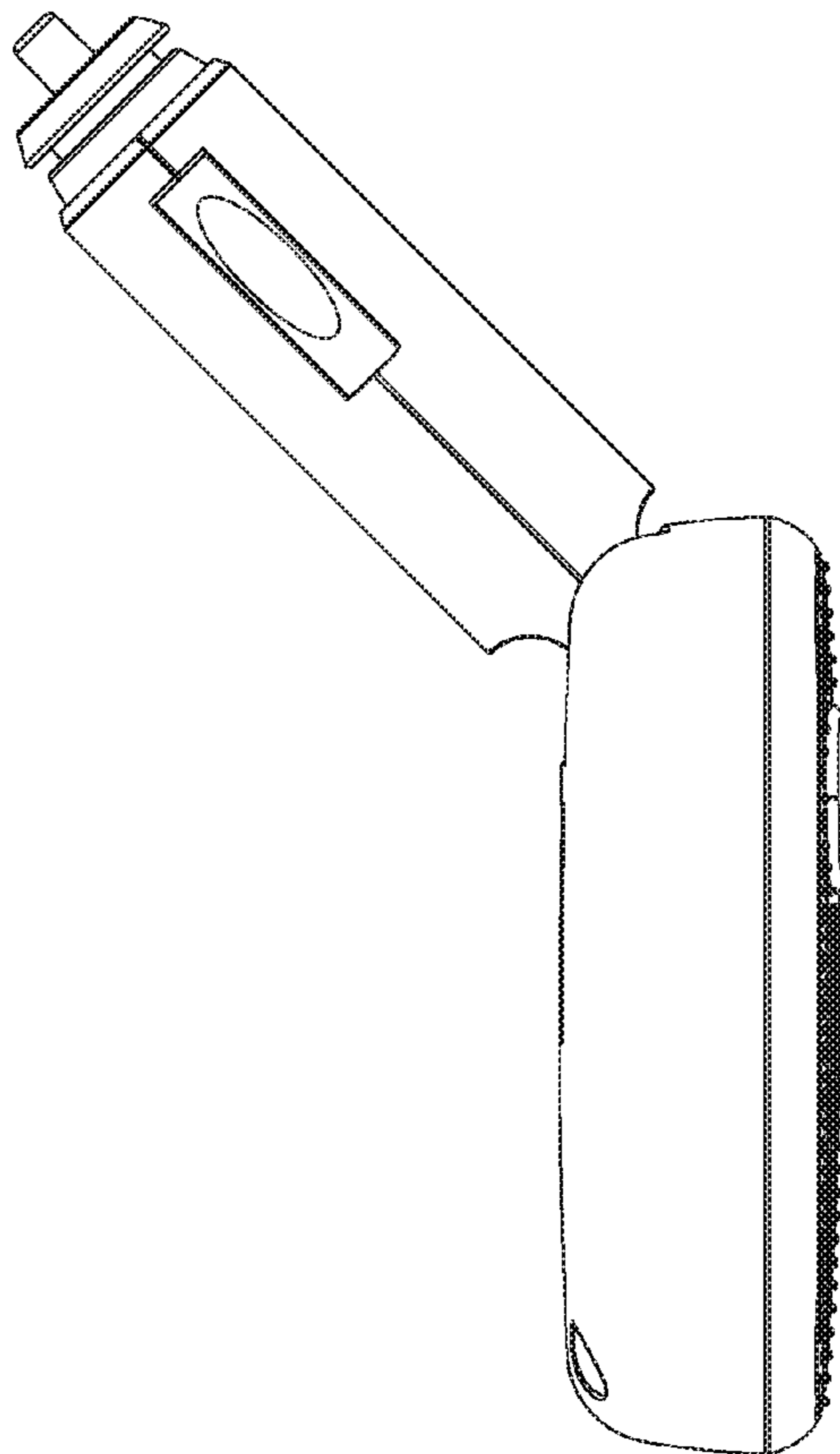


FIG. 16

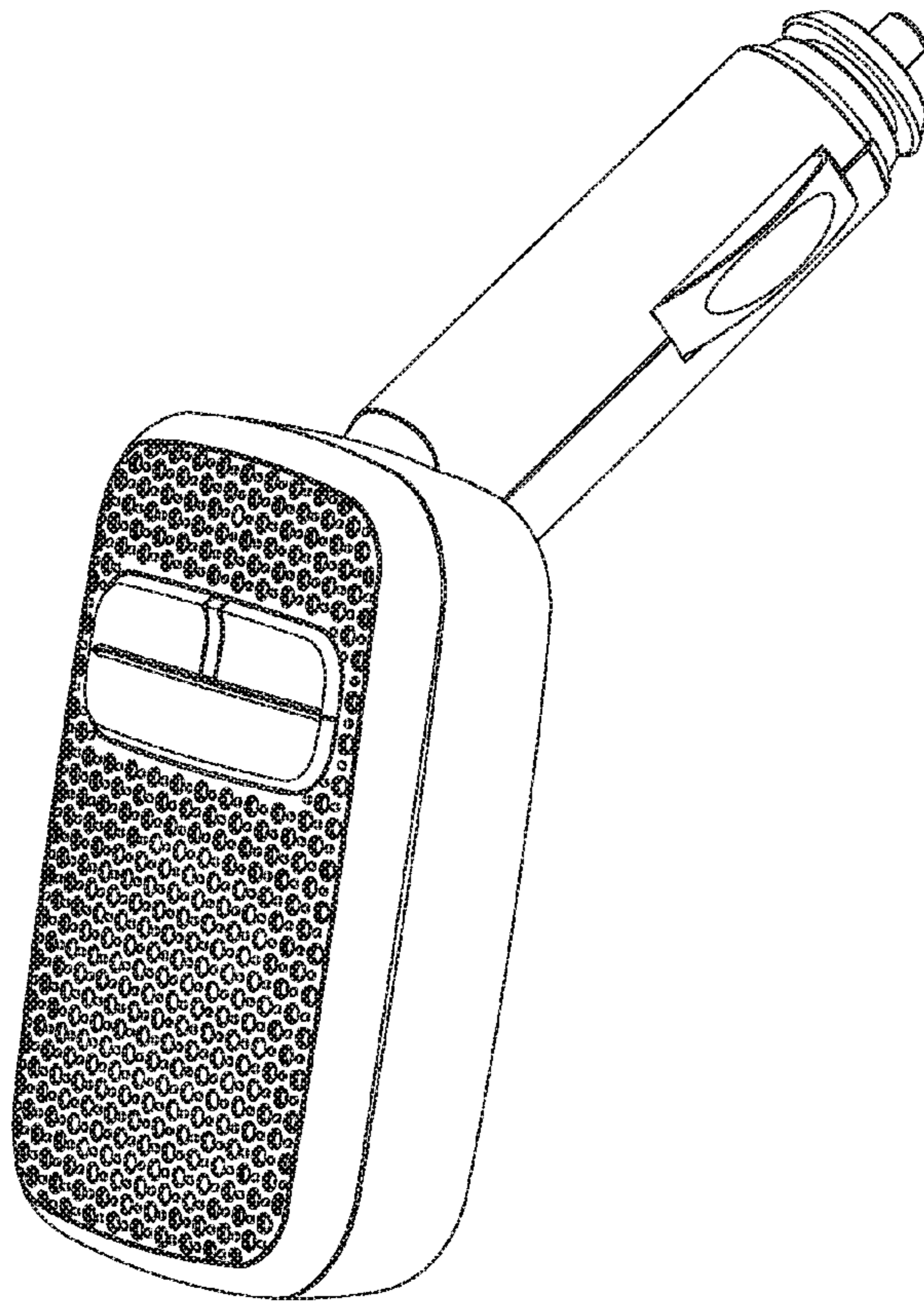


FIG. 17

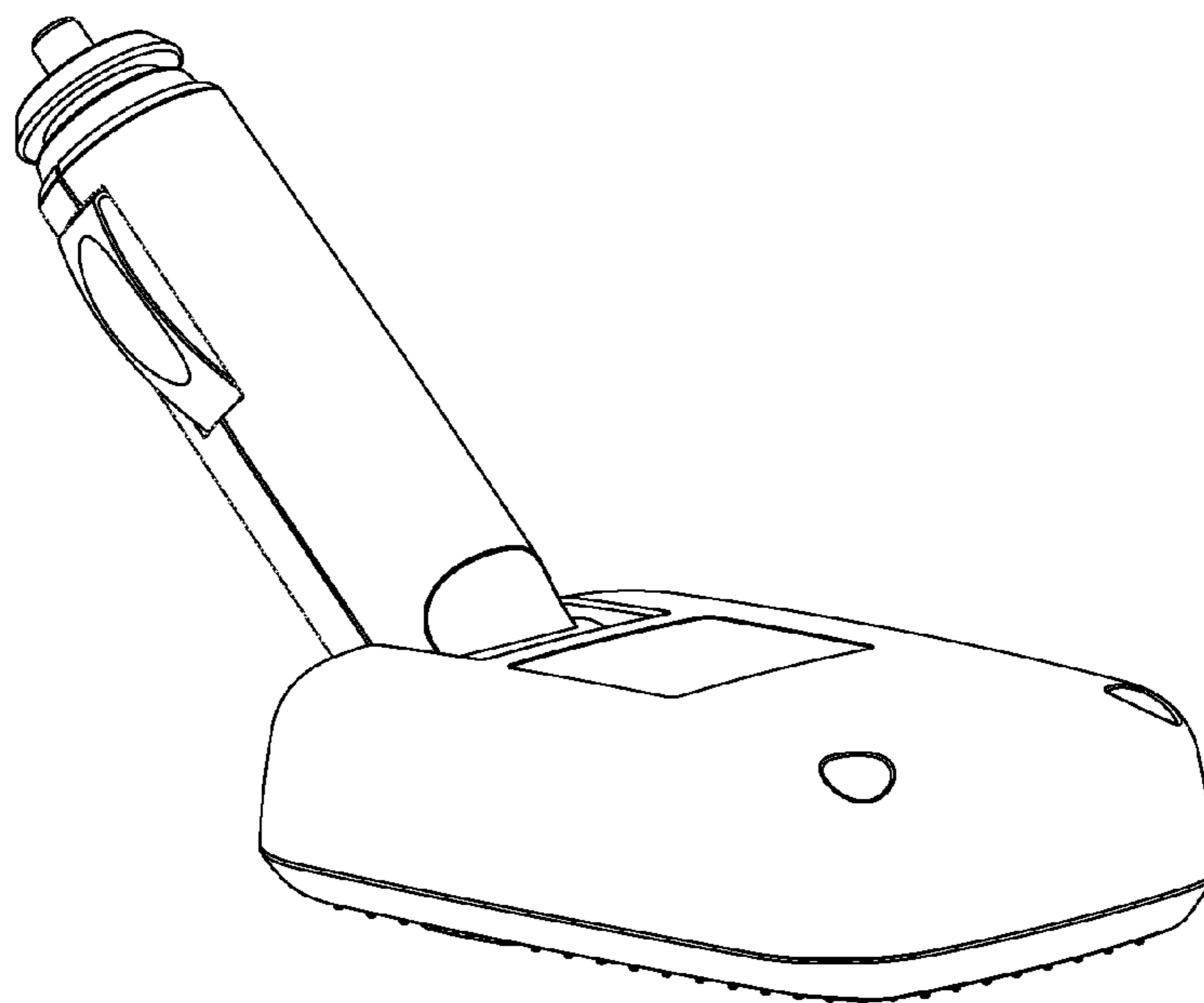


FIG. 18

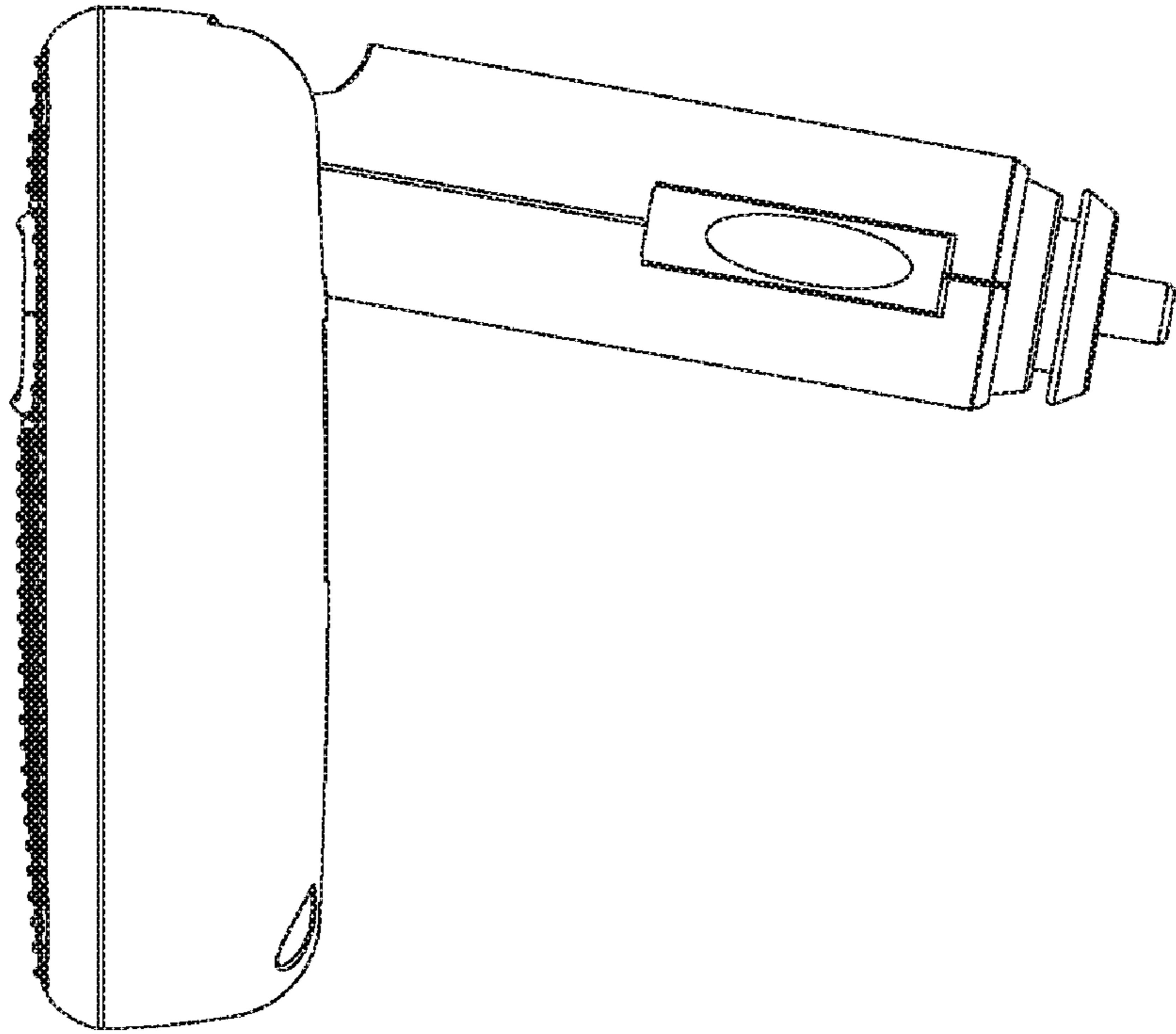


FIG. 19

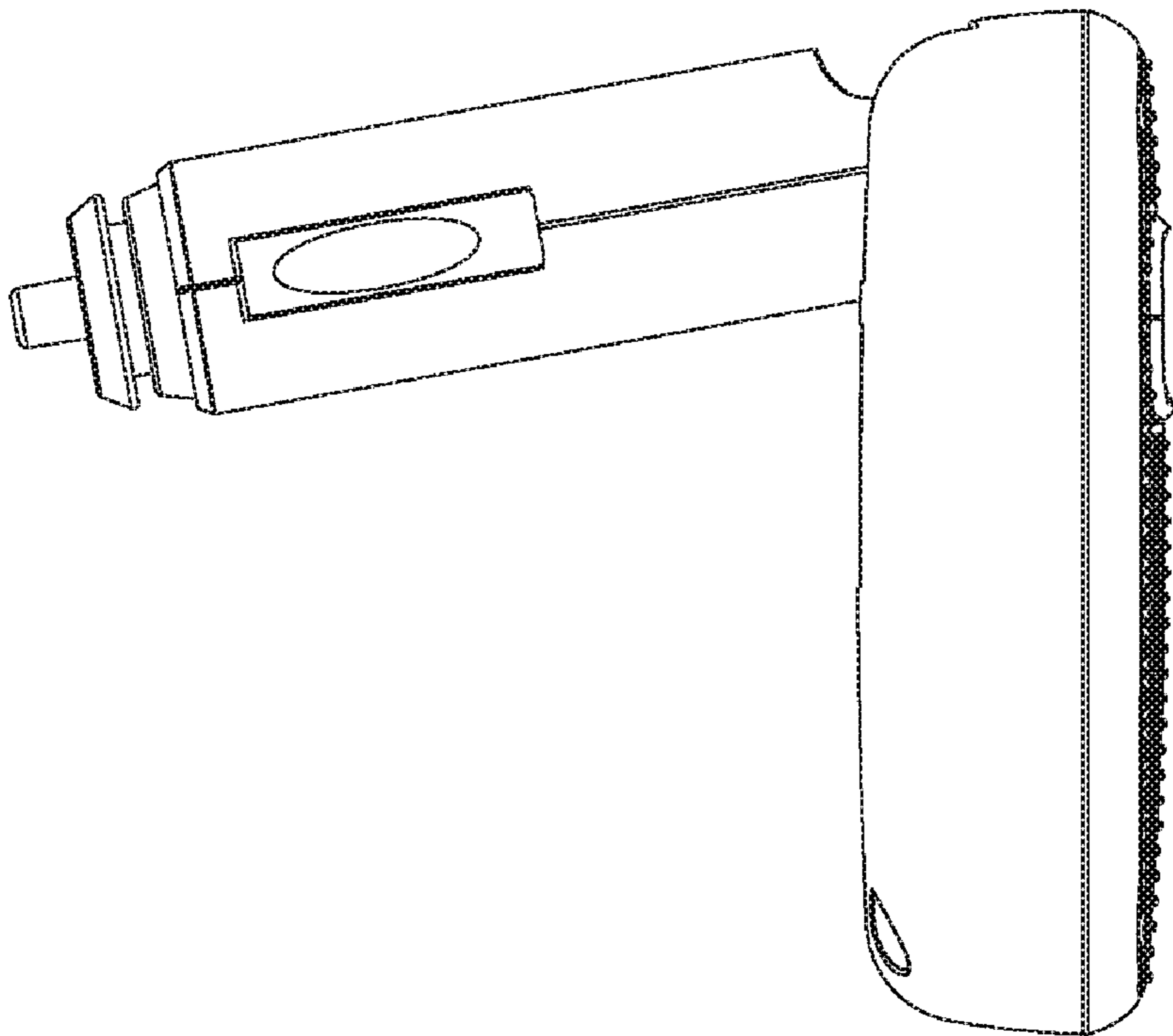


FIG. 20