



US00D591273S

(12) **United States Design Patent**
Nousiainen

(10) **Patent No.:** **US D591,273 S**
(45) **Date of Patent:** **** Apr. 28, 2009**

(54) **FRONT COVER FOR A HEADSET**
(75) Inventor: **Esa Nousiainen**, Vantaa (FI)
(73) Assignee: **Nokia Corporation**, Espoo (FI)
(**) Term: **14 Years**
(21) Appl. No.: **29/306,962**
(22) Filed: **Apr. 18, 2008**

(51) **LOC (9) Cl.** **14-01**
(52) **U.S. Cl.** **D14/223**
(58) **Field of Classification Search** D14/138,
D14/188, 192, 174, 205, 206, 223, 217, 218,
D14/219; 181/129-130; 379/430, 433.01,
379/433.02, 433.03, 434; 381/370, 380,
381/381, 374; D13/173, 174, 158, 168; 455/575.1,
455/575.2, 550.1, 575.4, 575.6, 569.1, 575.8,
455/90.3

See application file for complete search history.

(56) **References Cited**

U.S. PATENT DOCUMENTS

D306,853 S *	3/1990	Mayo et al.	D13/168
D389,151 S *	1/1998	Shintani	D14/218
D451,076 S *	11/2001	Sommer et al.	D13/168
D478,893 S *	8/2003	Corander	D14/218
D509,211 S *	9/2005	Han et al.	D14/205
D510,572 S *	10/2005	Lee et al.	D14/188
D533,540 S *	12/2006	Murray	D14/205
D553,613 S *	10/2007	Sade et al.	D14/223
D555,150 S *	11/2007	Christopher et al.	D14/223
D559,836 S *	1/2008	Lee	D14/223

D566,108 S *	4/2008	Kan	D14/223
D568,301 S *	5/2008	Kim et al.	D14/223
D573,139 S *	7/2008	Birger	D14/223
D574,367 S *	8/2008	Jaakkola et al.	D14/223
D575,277 S *	8/2008	Gaarde et al.	D14/223
D579,924 S *	11/2008	Sade et al.	D14/223
D579,925 S *	11/2008	Jaakkola et al.	D14/223
D586,334 S *	2/2009	Nousiainen	D14/223

* cited by examiner

Primary Examiner—Paula Greene

(74) *Attorney, Agent, or Firm*—Banner & Witcoff, Ltd

(57) **CLAIM**

The ornamental design for a front cover for a headset, as shown and described.

DESCRIPTION

FIG. 1 is a front perspective view of a front cover for a headset showing my new design;

FIG. 2 is a front view thereof;

FIG. 3 is a rear view thereof;

FIG. 4 is a right side view thereof;

FIG. 5 is a left side view thereof;

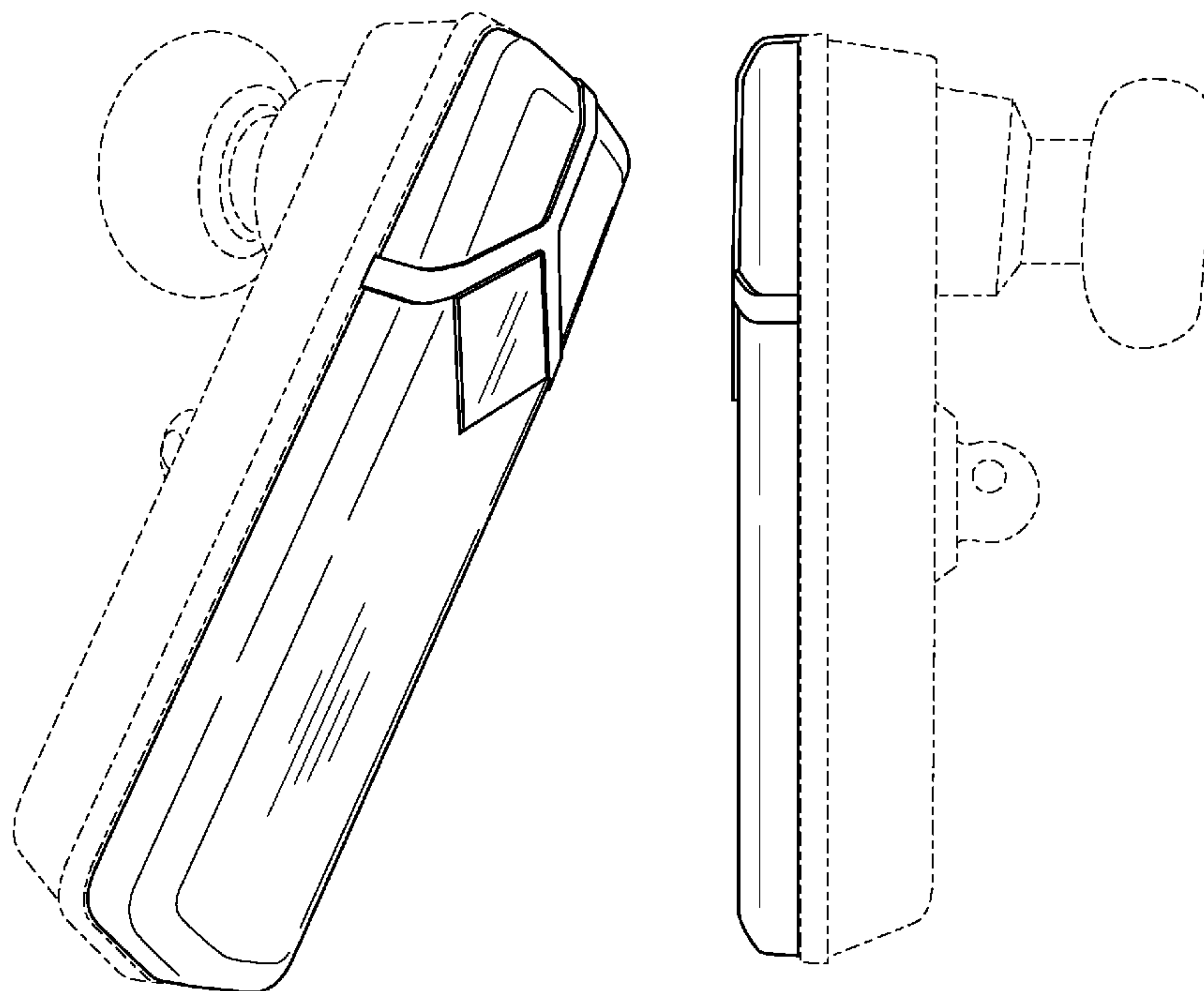
FIG. 6 is a top view thereof;

FIG. 7 is a bottom view thereof; and,

FIG. 8 is a rear perspective view thereof.

The broken lines of the headset in FIGS. 1 through 8 define the bounds of the claimed design and form no part of thereof.

1 Claim, 5 Drawing Sheets



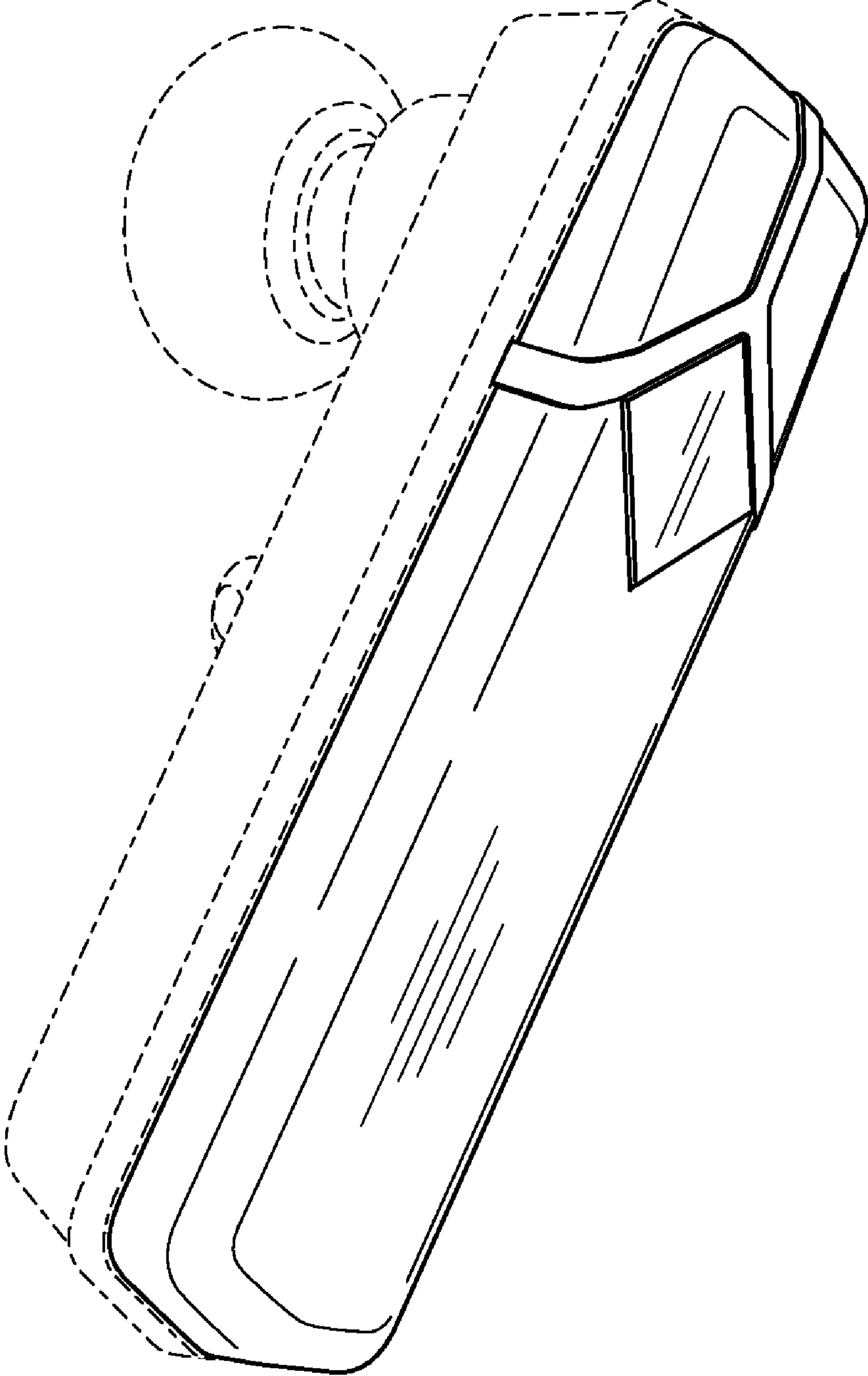


FIG. 1

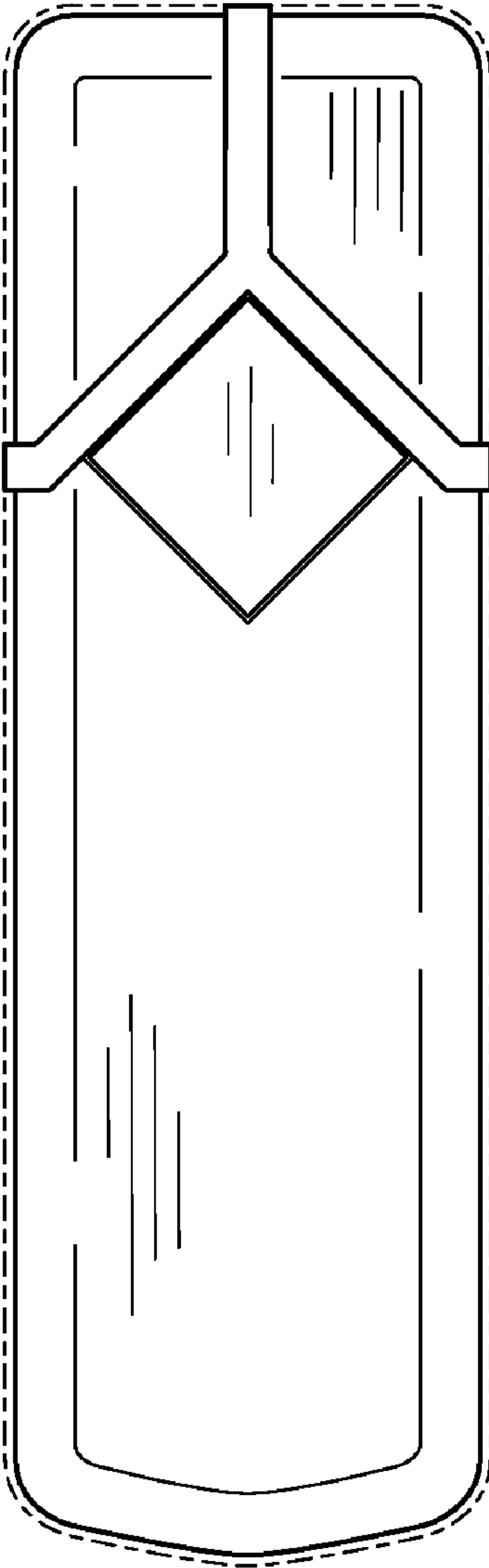


FIG. 2

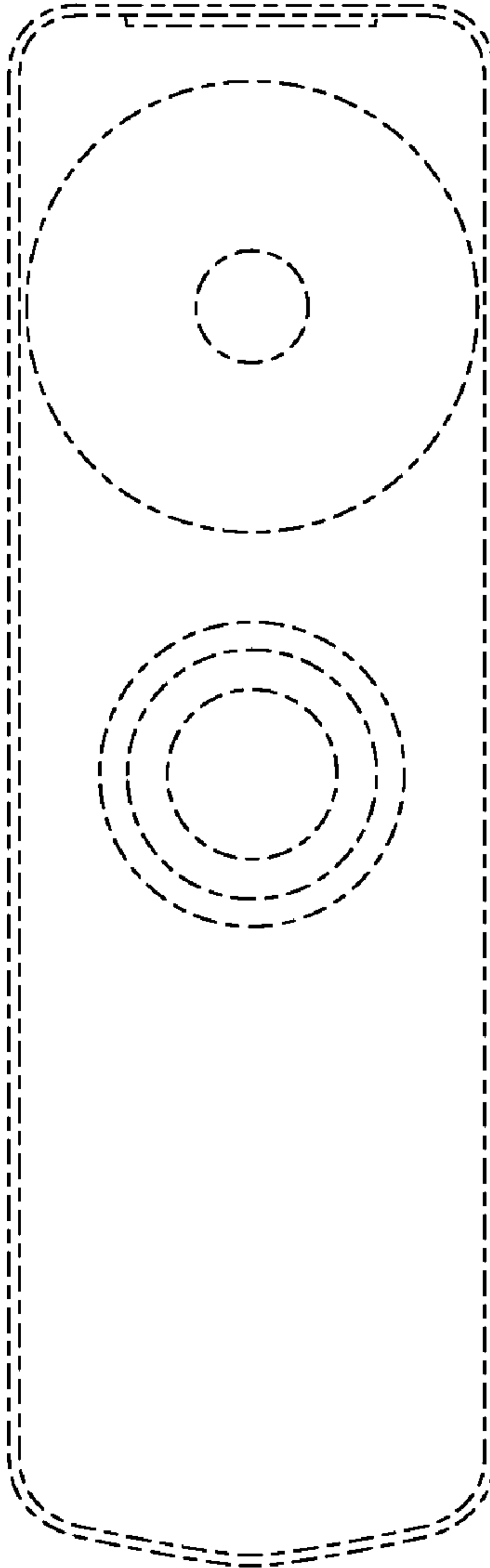


FIG. 3

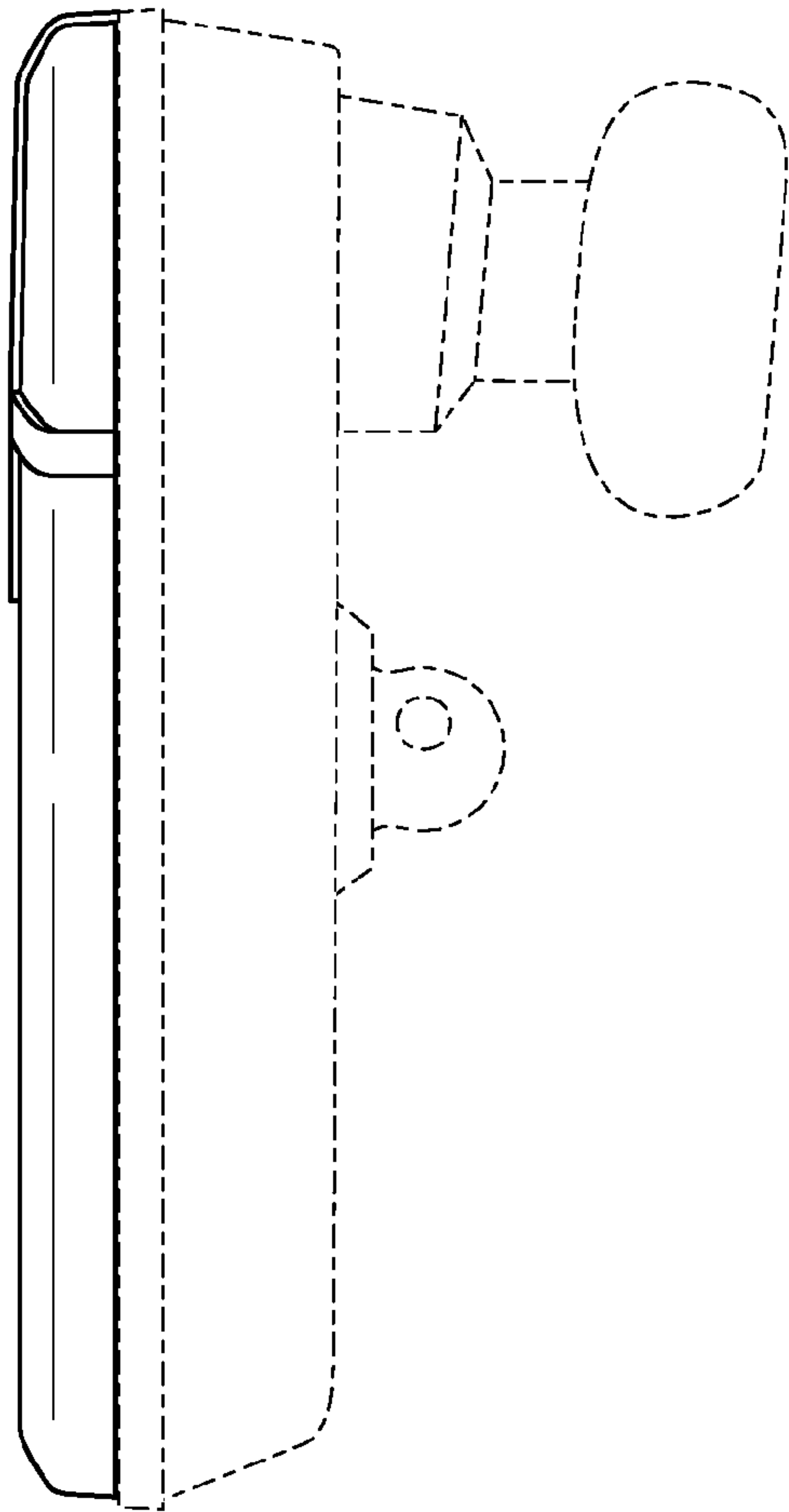


FIG. 4

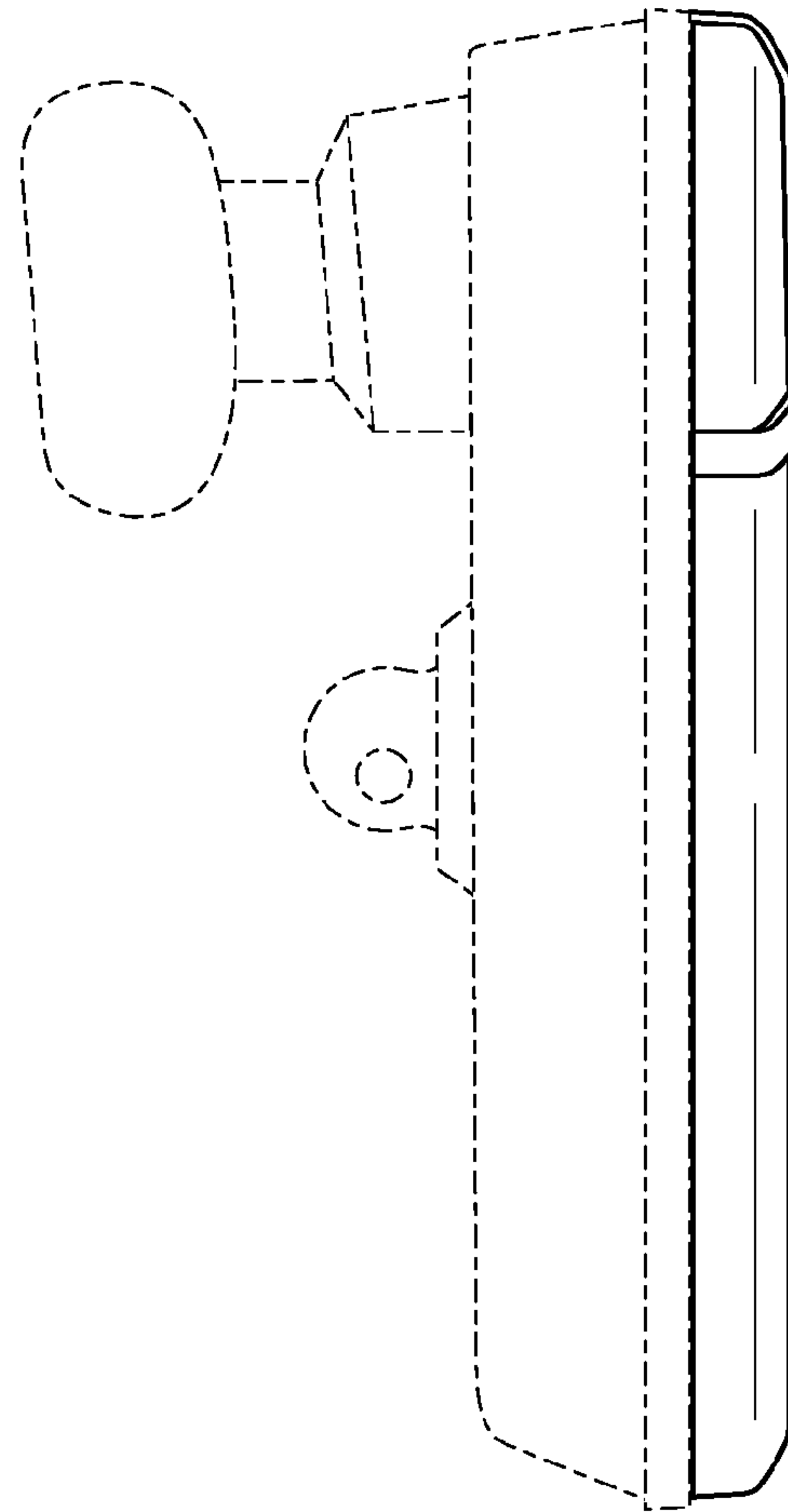


FIG. 5

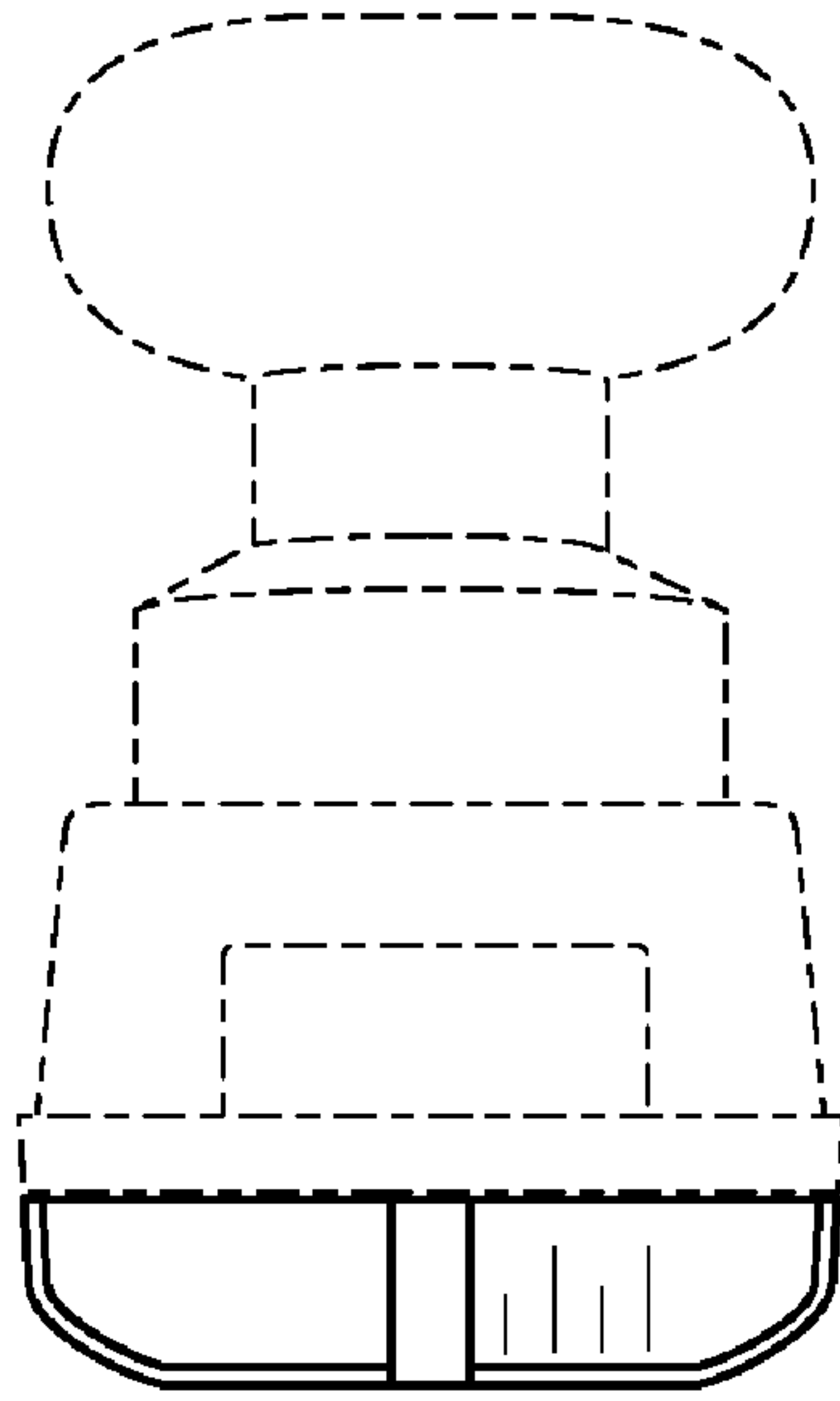


FIG. 6

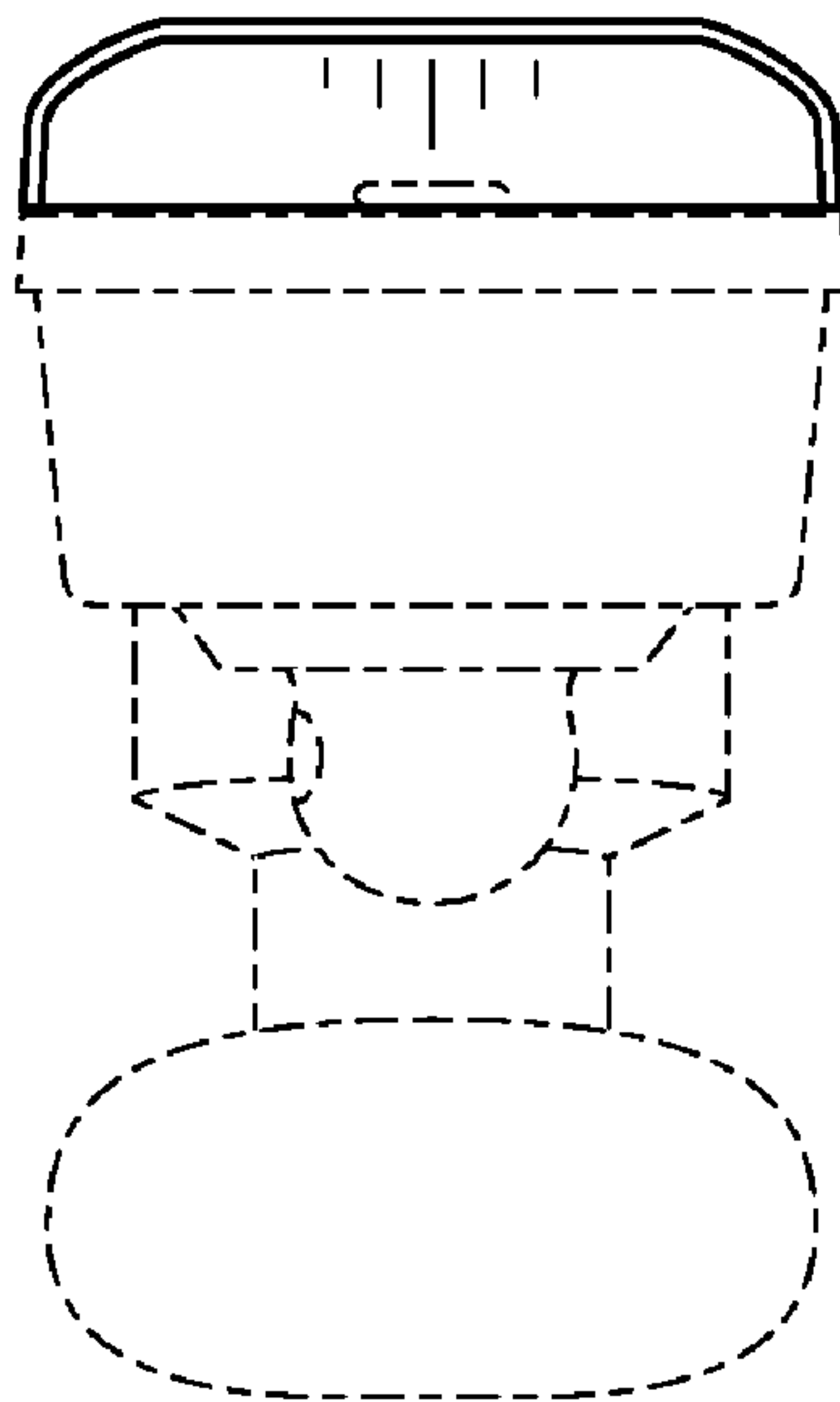


FIG. 7

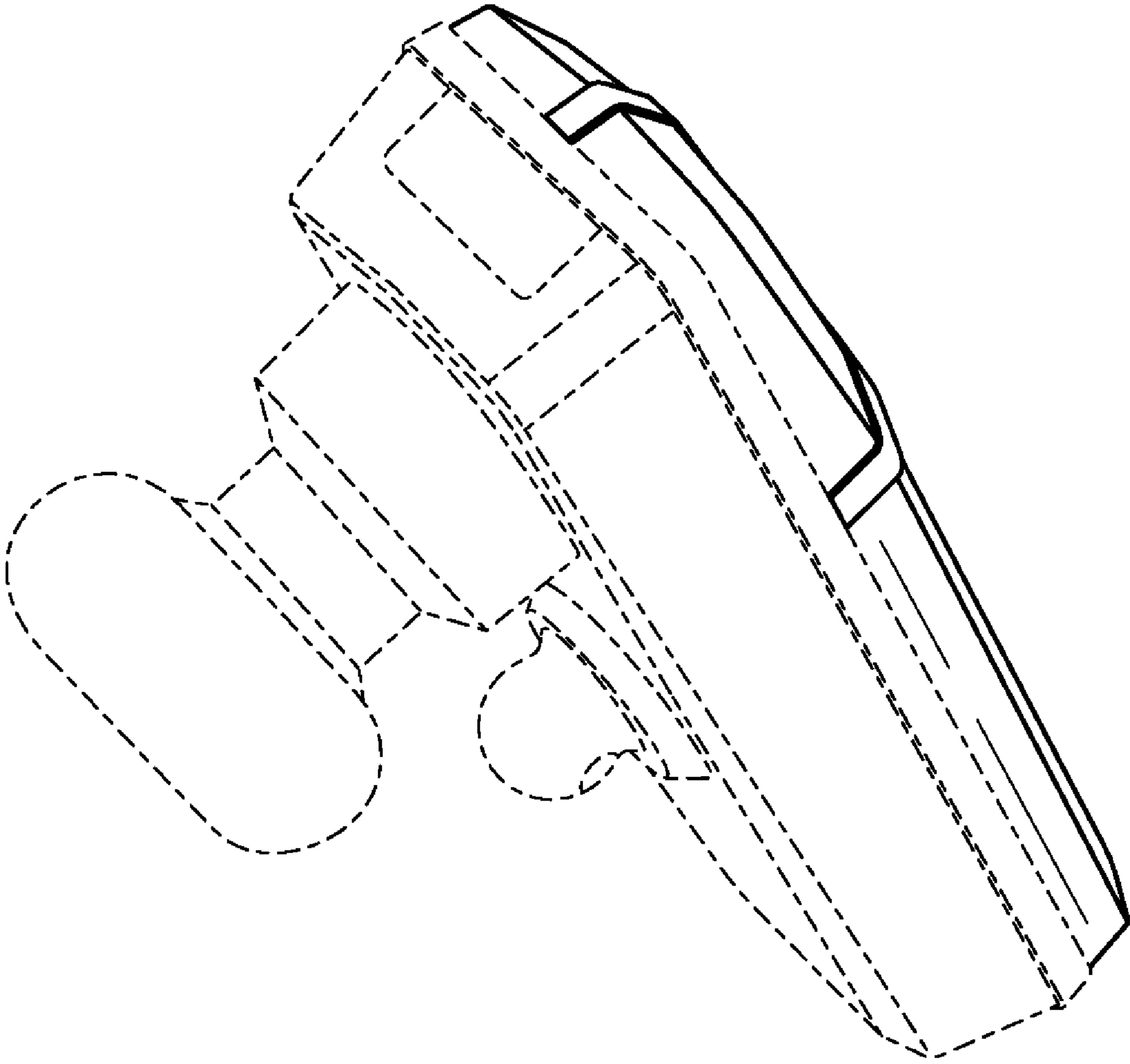


FIG. 8