



US00D591270S

(12) **United States Design Patent**
Jakobson et al.

(10) **Patent No.:** **US D591,270 S**
(45) **Date of Patent:** **** Apr. 28, 2009**

(54) **DOCK FOR DIGITAL MUSIC PLAYER**

(75) Inventors: **Justin Randolph Jakobson**, Santa Monica, CA (US); **Isamu Arie**, Santa Monica, CA (US); **Hiroya Fujii**, Los Angeles, CA (US); **Yujii Oikawa**, Marina Del Ray, CA (US)

(73) Assignees: **Sony Corporation**, Tokyo (JP); **Sony Electronics Inc.**, Park Ridge, NJ (US)

(**) Term: **14 Years**

(21) Appl. No.: **29/323,319**

(22) Filed: **Aug. 22, 2008**

(51) **LOC (9) Cl.** **14-02**

(52) **U.S. Cl.** **D14/217**

(58) **Field of Classification Search** D14/142, D14/149, 155, 157, 188, 191-193, 203.1-203.8, D14/217, 251, 253, 432-435.1, 447, 451, D14/496, 474, 480.1-480.7; D13/107, 108, D13/118; D3/218; 248/221.11, 309.1; 320/107, 320/110, 113-115; 361/600, 679, 683, 686; 439/529, 534; 455/556.1-556.2, 557
See application file for complete search history.

(56) **References Cited**

U.S. PATENT DOCUMENTS

D528,979 S * 9/2006 Franck et al. D13/108
D535,974 S * 1/2007 Alwicker et al. D14/188

D570,847 S * 6/2008 Chern D14/434
D579,917 S * 11/2008 Marchand et al. D14/217
D579,952 S * 11/2008 Yamada D14/496
D581,905 S * 12/2008 Solland D14/217
D582,887 S * 12/2008 Poandl D14/217
D585,898 S * 2/2009 Skurdal D14/434

* cited by examiner

Primary Examiner—Stella M Reid

Assistant Examiner—Keli L Hill

(74) *Attorney, Agent, or Firm*—John L. Rogitz

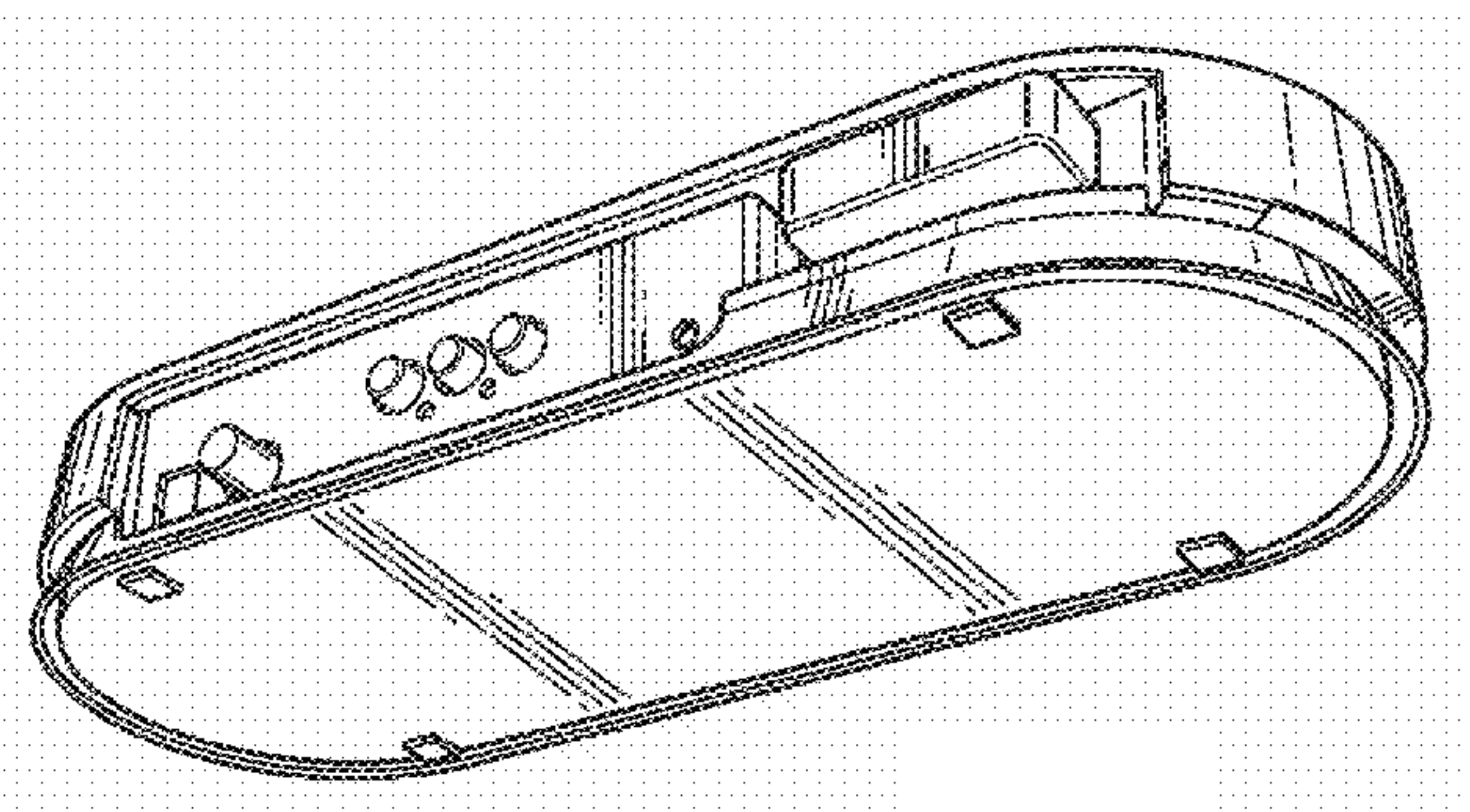
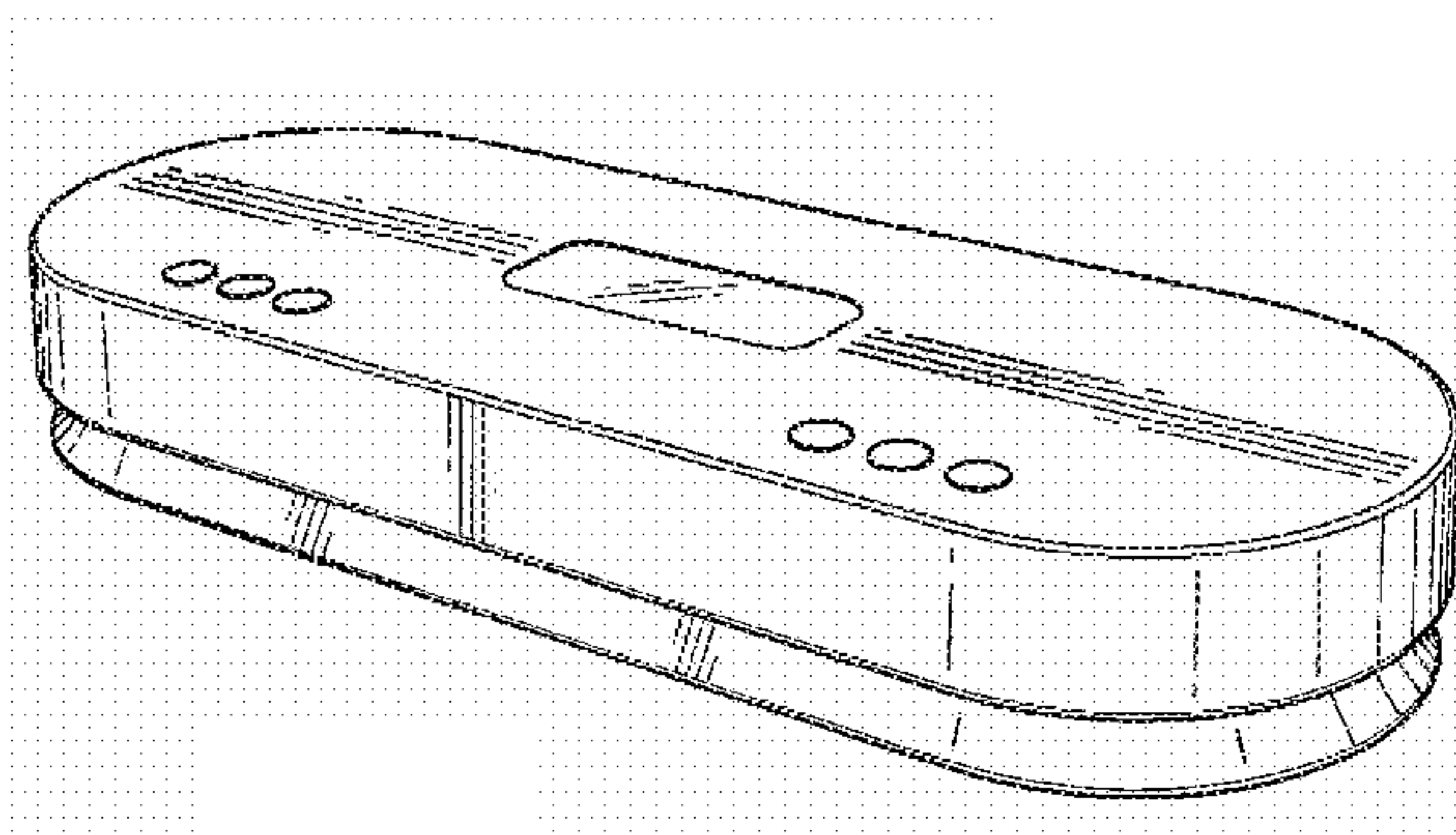
(57) **CLAIM**

The ornamental design for the dock for digital music player, as shown and described.

DESCRIPTION

FIG. 1 is a front perspective view of a dock for digital music player, embodying our new design;
FIG. 2 is a rear perspective view thereof;
FIG. 3 is a top plan view thereof;
FIG. 4 is a bottom plan view thereof;
FIG. 5 is a side elevation view thereof;
FIG. 6 is a side elevation view thereof, opposite that in FIG. 5;
FIG. 7 is an end elevation view thereof; and,
FIG. 8 is an end elevation view thereof, opposite that in FIG. 7.

1 Claim, 3 Drawing Sheets



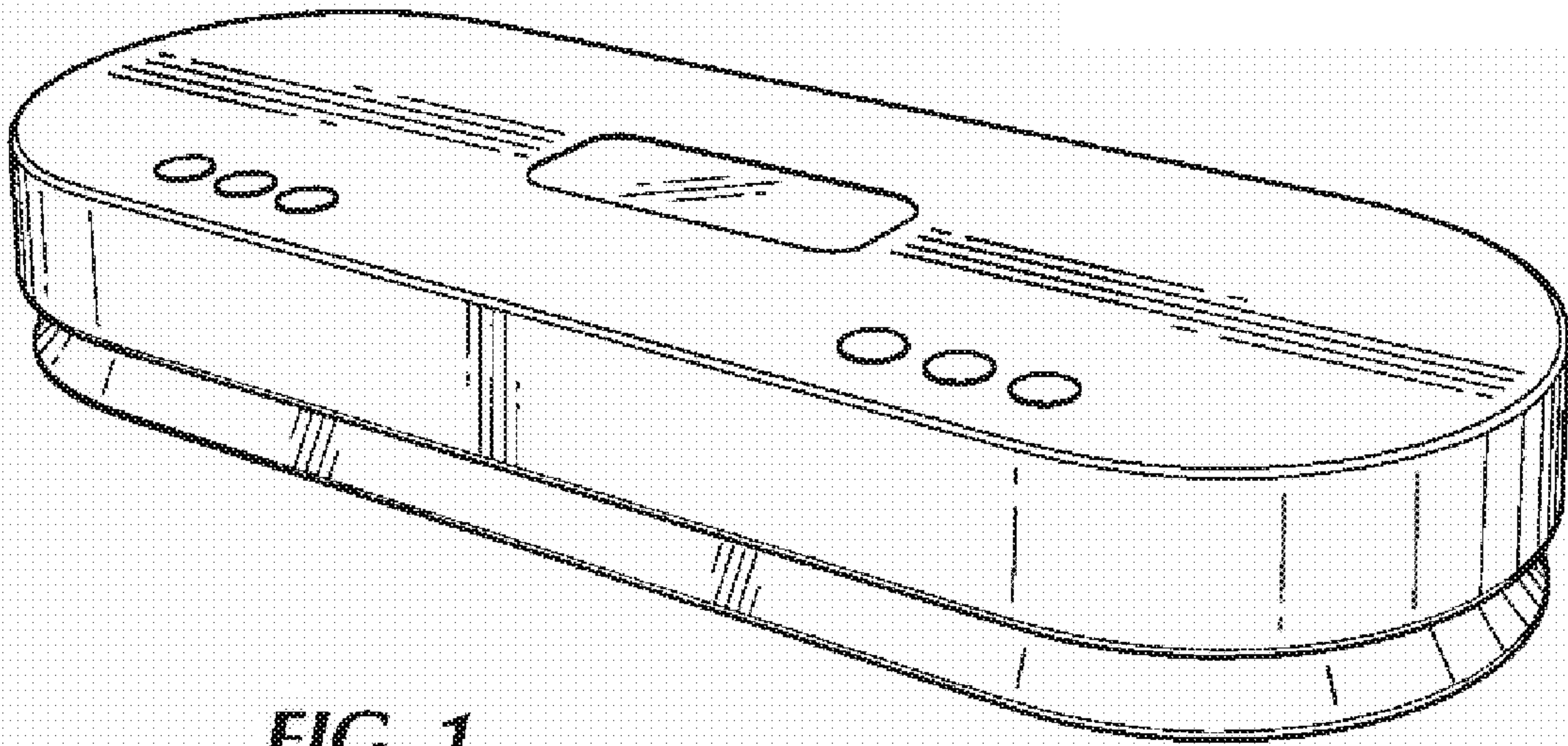


FIG. 1

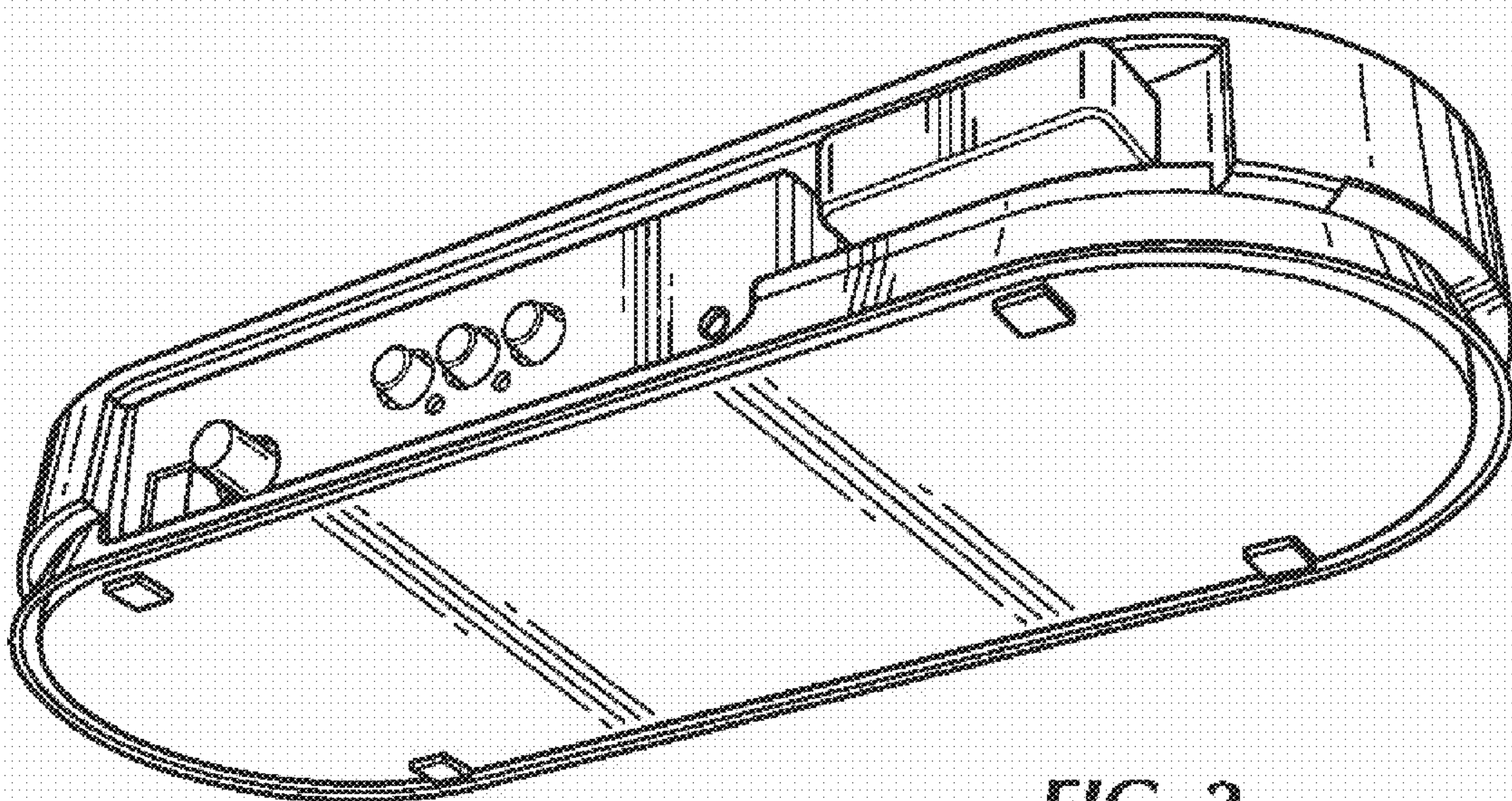


FIG. 2

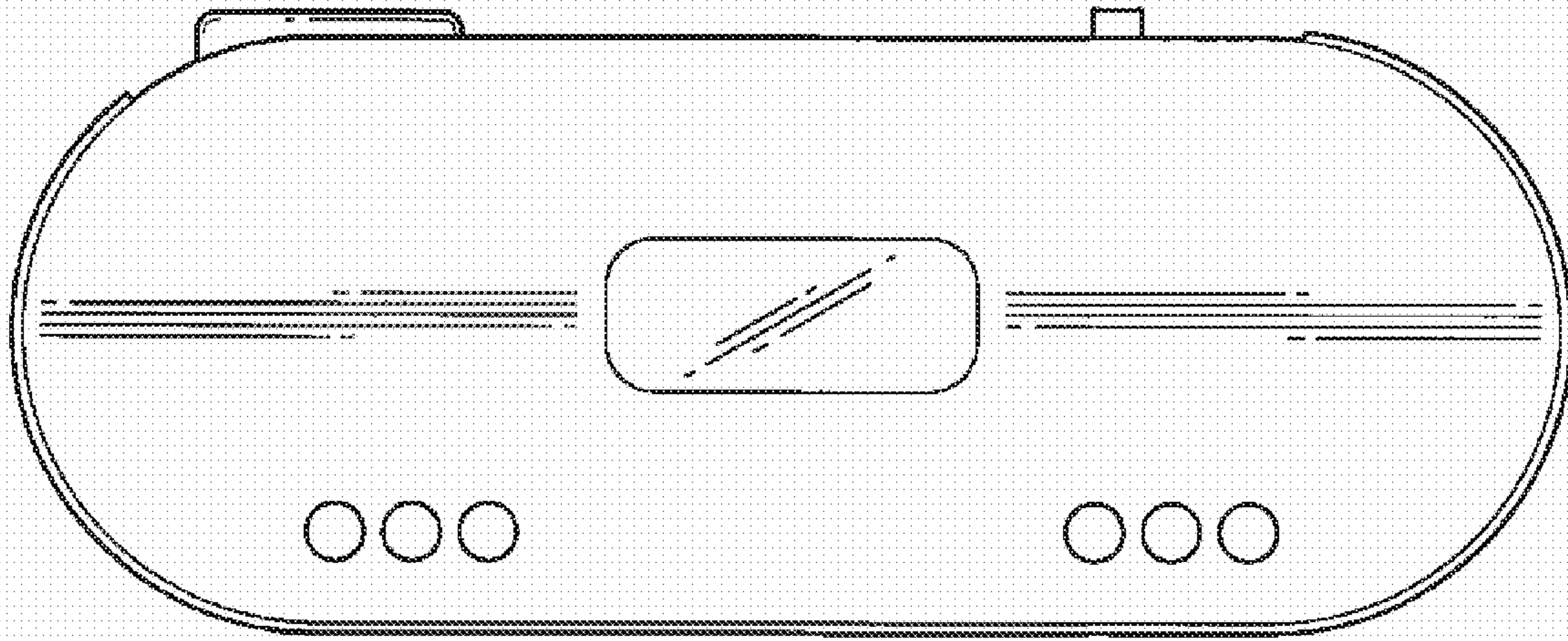


FIG. 3

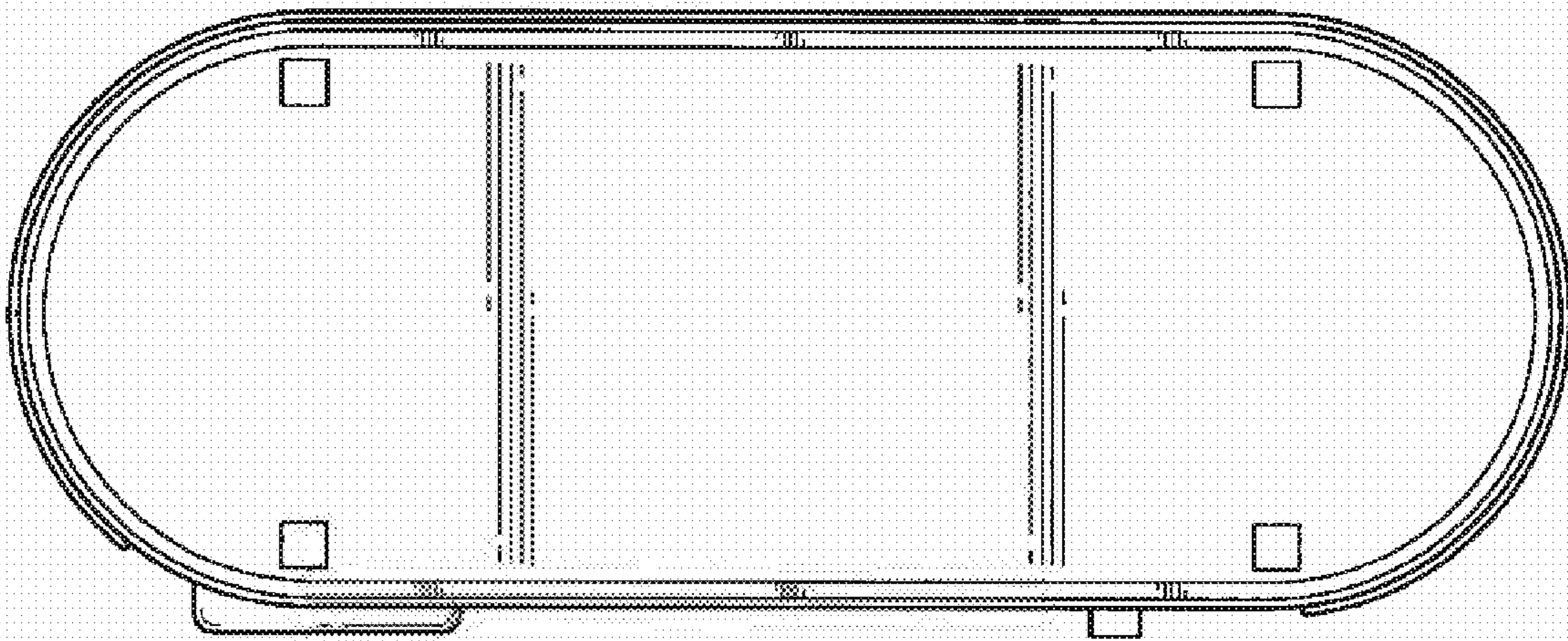


FIG. 4

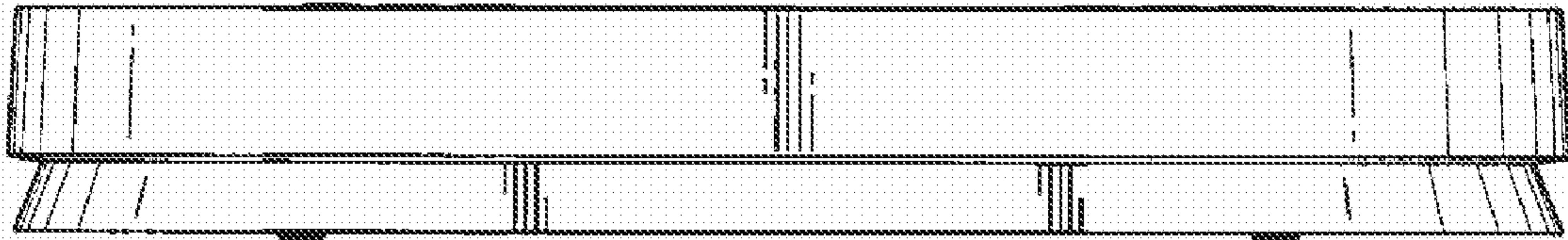


FIG. 5

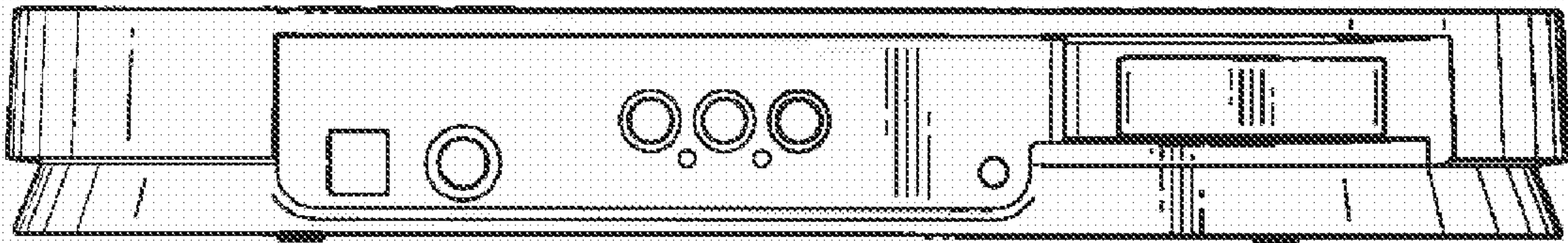


FIG. 6

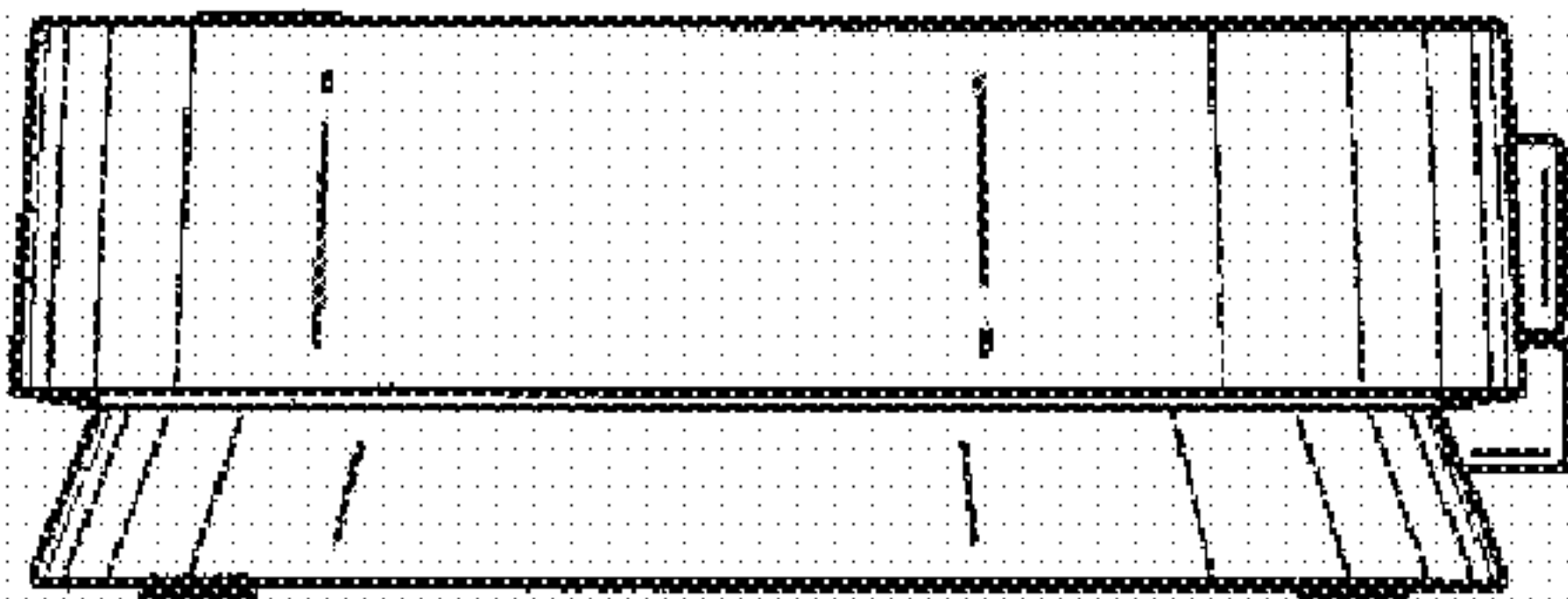


FIG. 7

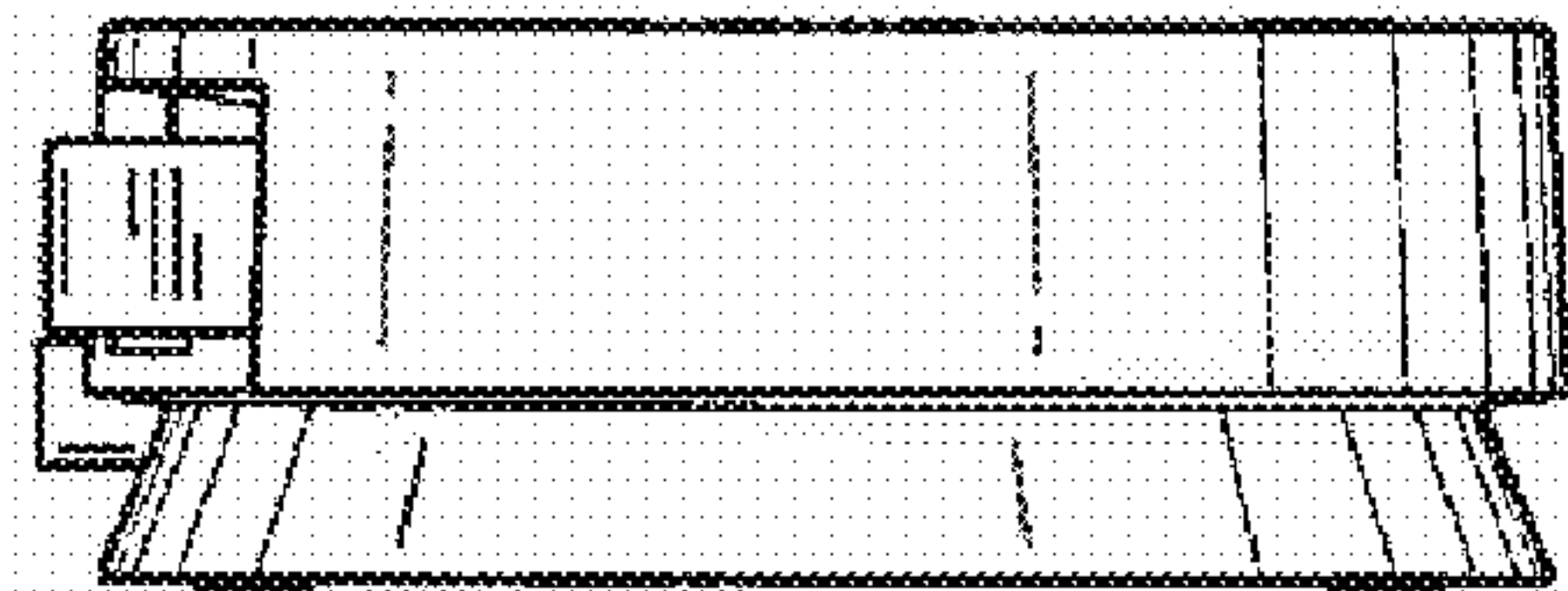


FIG. 8