

US00D591268S

(12) **United States Design Patent**  
**Futtrup et al.**

(10) **Patent No.:** **US D591,268 S**  
(45) **Date of Patent:** **\*\* Apr. 28, 2009**

(54) **LOUDSPEAKER UNIT**

(75) Inventors: **Claus Futtrup**, Horsens (DK); **Birger Jorgensen**, Grindsted (DK); **Niels Kofod**, Silkeborg (DK); **Martin Lolk Jensen**, Silkeborg (DK); **Simon Moller Nielsen**, Odense C (DK); **Robert True**, Pleasant Prairie, WI (US)

(73) Assignee: **Tymphany Denmark A/S** (DK)

(\*\*) Term: **14 Years**

(21) Appl. No.: **29/320,572**

(22) Filed: **Jun. 30, 2008**

(51) **LOC (9) Cl.** ..... **14-01**

(52) **U.S. Cl.** ..... **D14/216**

(58) **Field of Classification Search** ..... D14/204,  
D14/210-216, 172; 181/143-144, 147-148,  
181/150-153, 157, 198-199; 381/300-303,  
381/306, 332-333, 336, 345, 361-364, 386-388  
See application file for complete search history.

(56) **References Cited**

**U.S. PATENT DOCUMENTS**

D188,542 S \* 8/1960 Levy et al. .... D14/216

D239,538 S \* 4/1976 Wagner ..... D14/216  
4,815,558 A \* 3/1989 Krainhofer ..... 181/141  
D393,641 S \* 4/1998 Hai-Fu ..... D14/216  
D432,118 S \* 10/2000 Honnert ..... D14/216  
D483,740 S \* 12/2003 Yim et al. .... D14/216

\* cited by examiner

*Primary Examiner*—Nanda Bondade

(74) *Attorney, Agent, or Firm*—Schmeiser, Olsen & Watts

(57) **CLAIM**

The ornamental design for a loudspeaker unit, as shown and described.

**DESCRIPTION**

FIG. 1 is a front perspective view of a loudspeaker unit showing our new design;

FIG. 2 is rear perspective view thereof;

FIG. 3 is a bottom view;

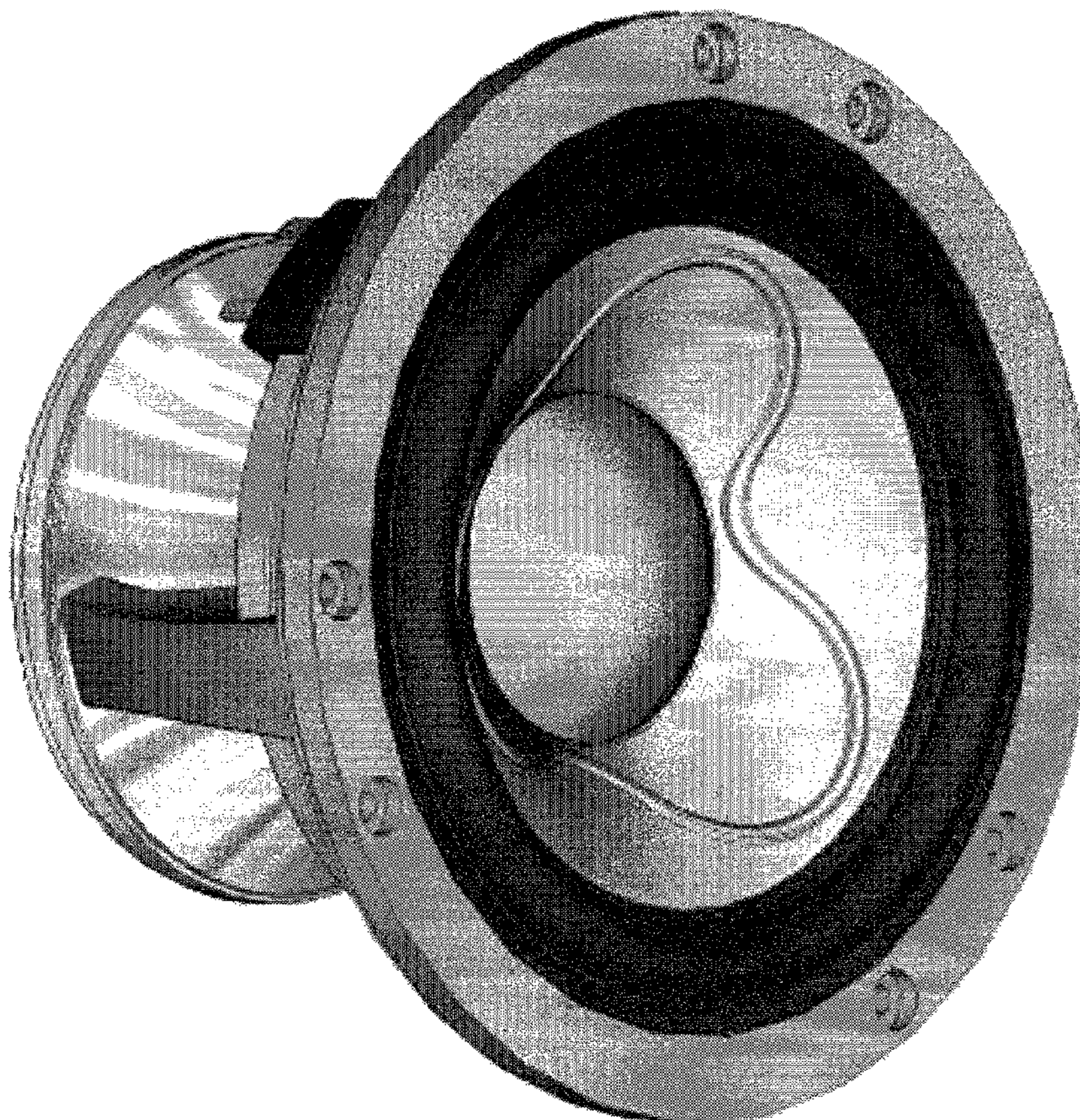
FIG. 4 is a right side view of which the left side view is a mirror image;

FIG. 5 is a top view;

FIG. 6 is a front view; and,

FIG. 7 is a rear view.

**1 Claim, 7 Drawing Sheets**





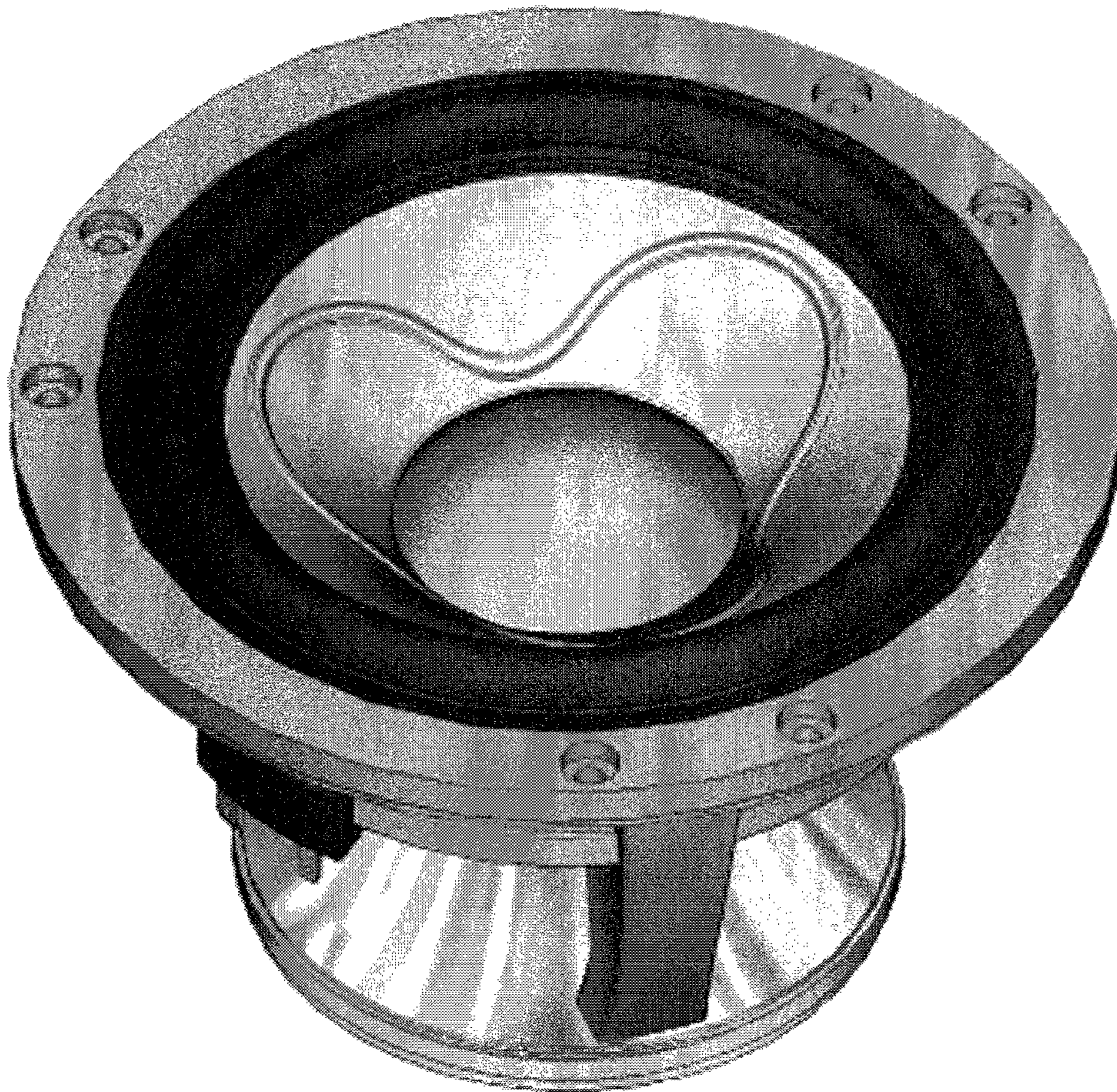


Fig. 1



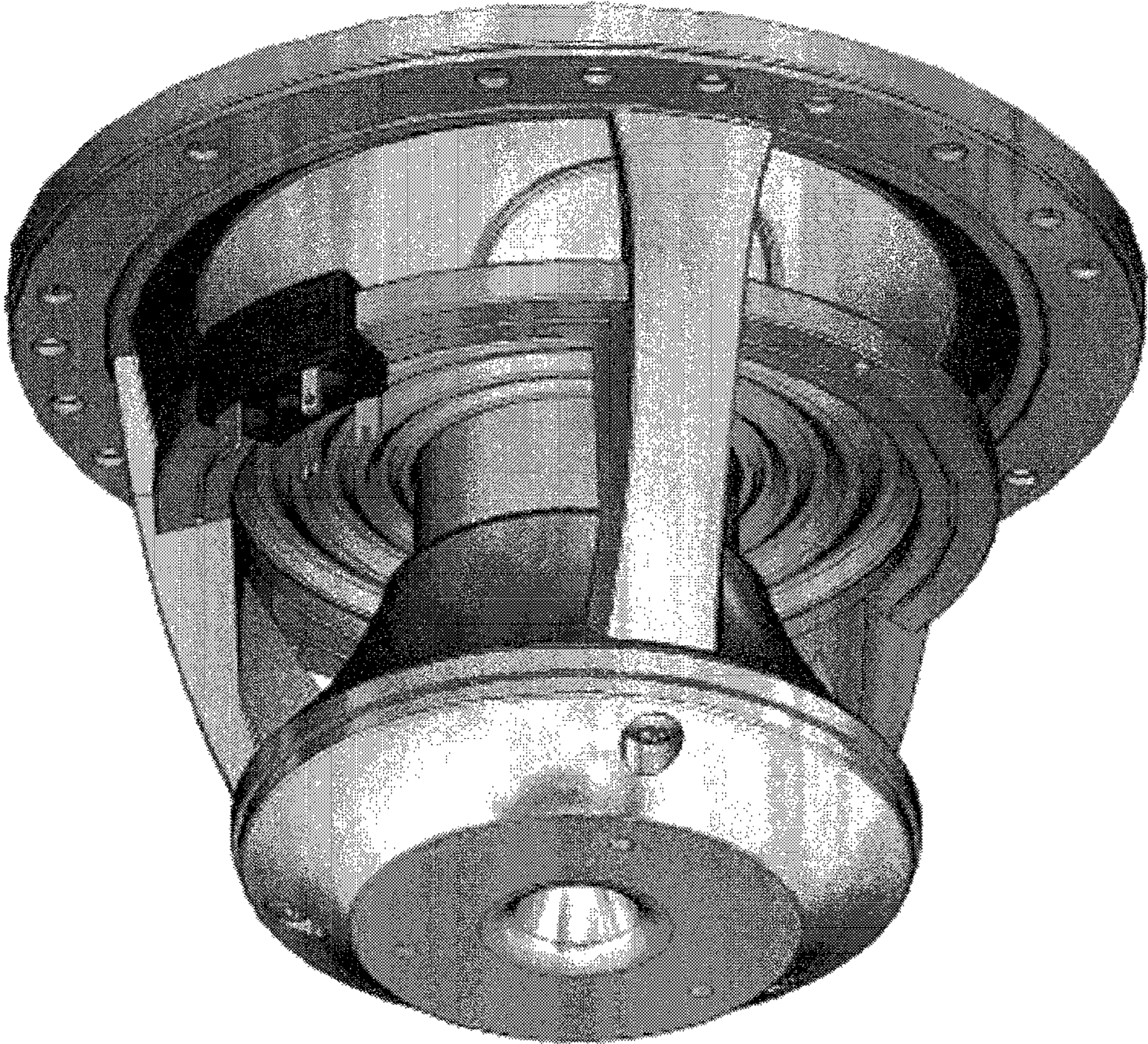


Fig. 2



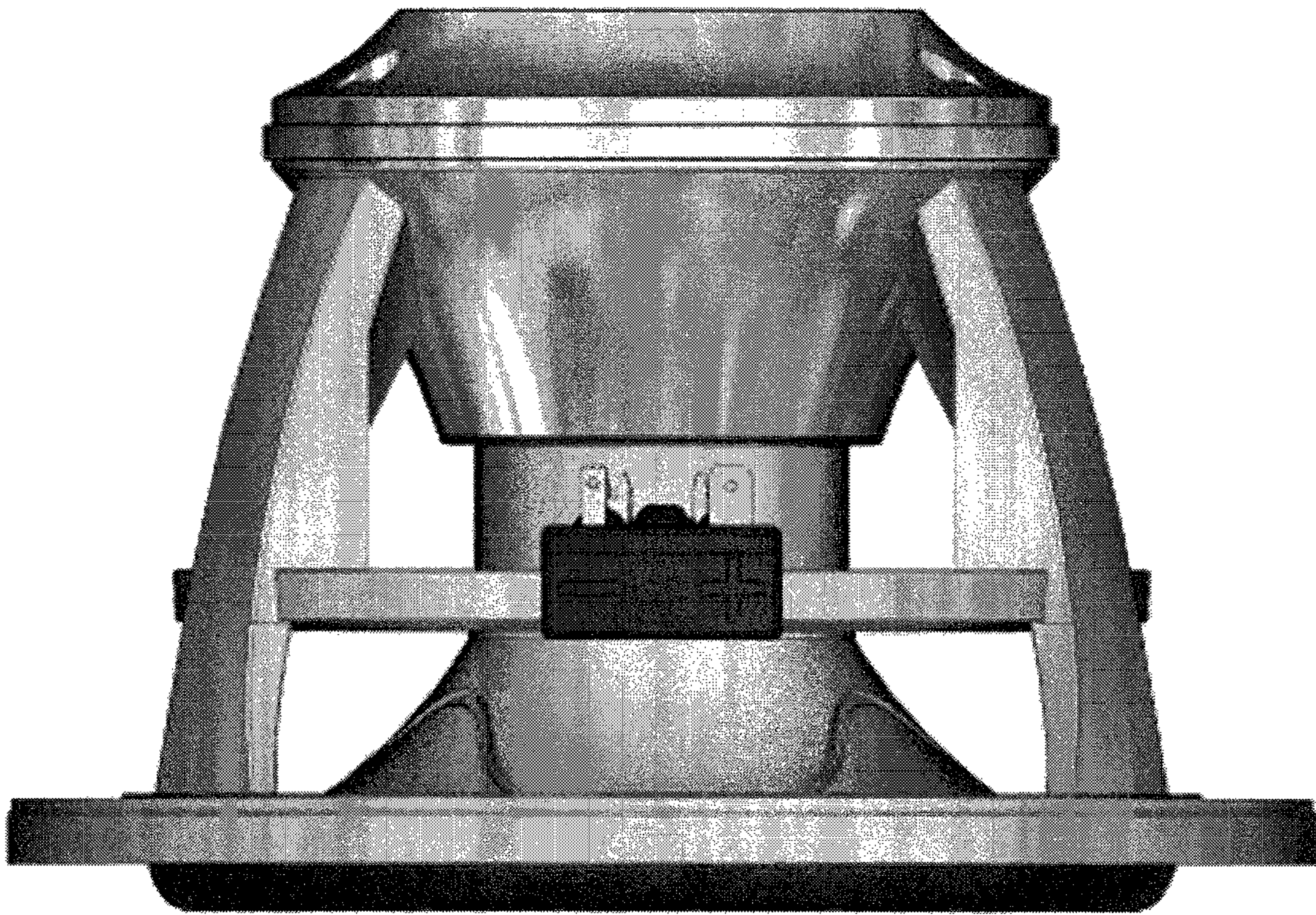


Fig. 3



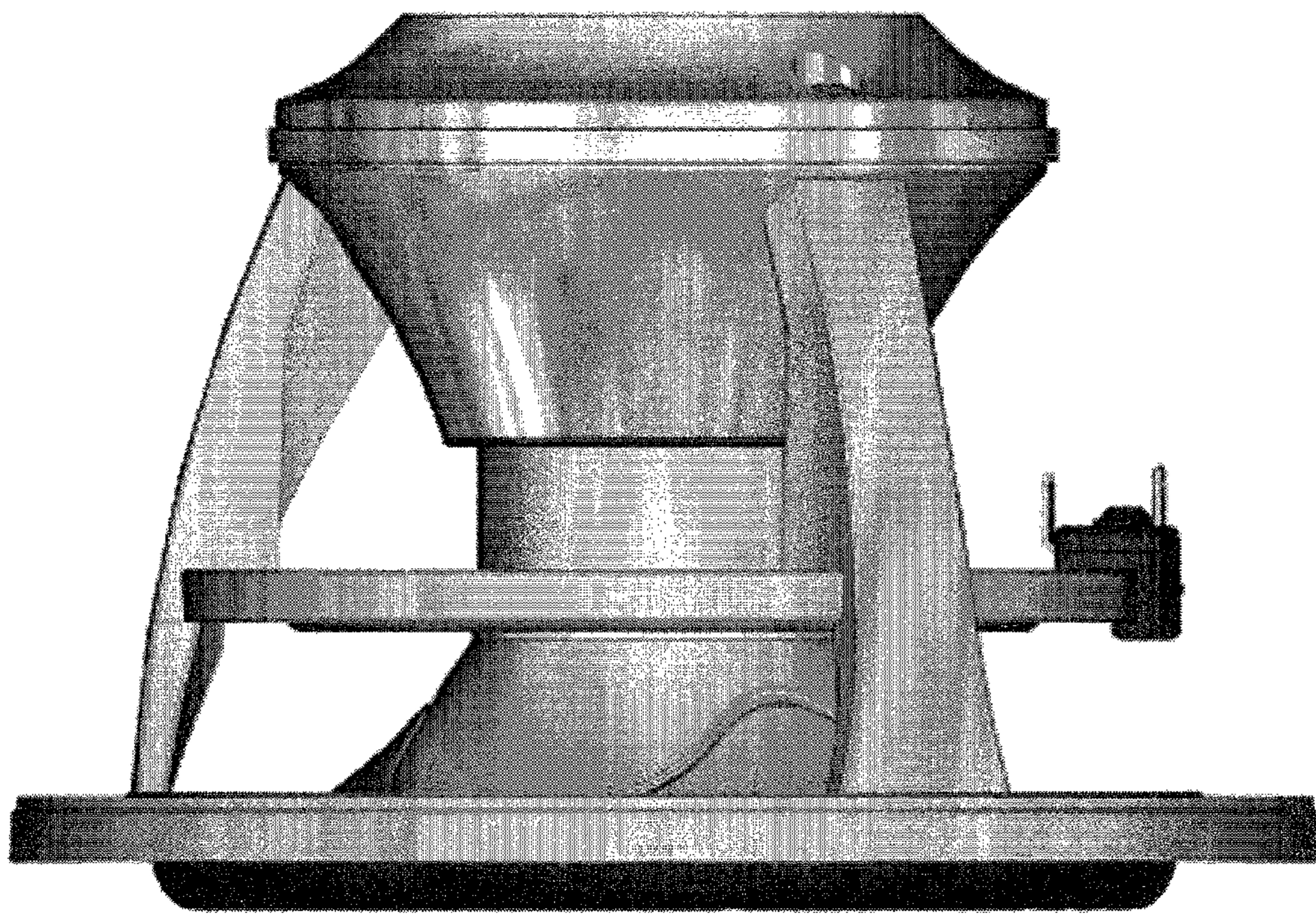


Fig. 4



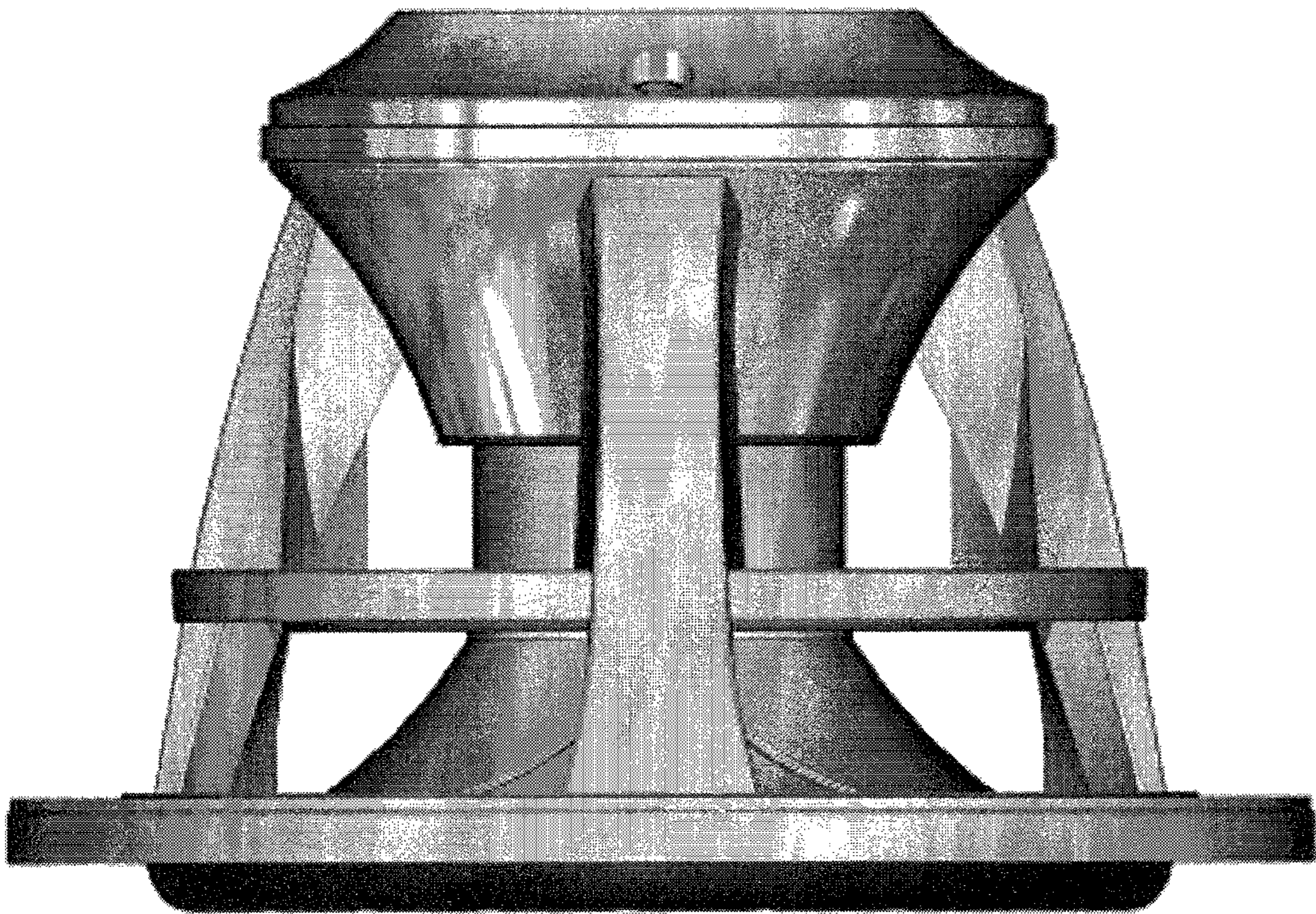


Fig. 5



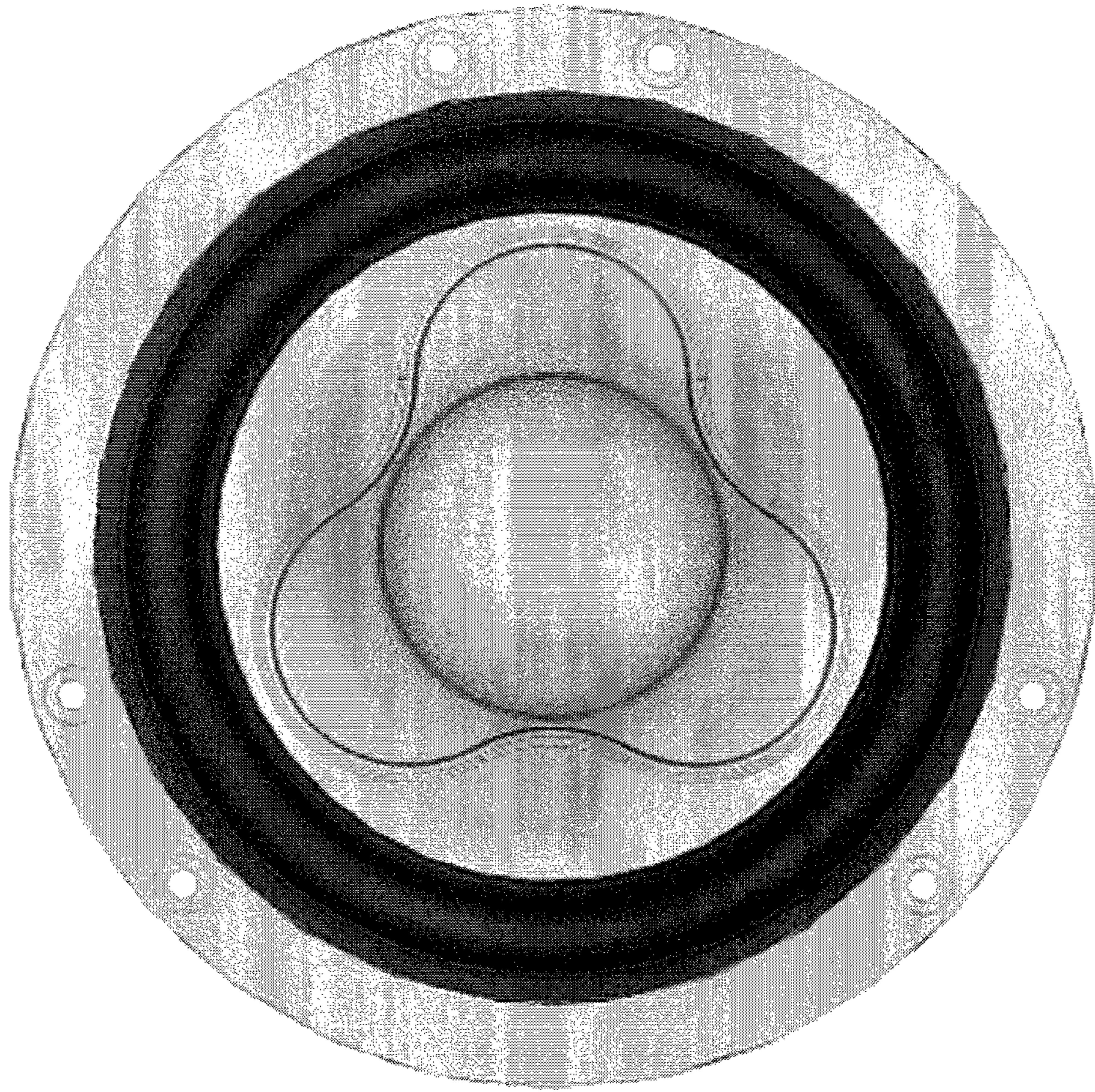
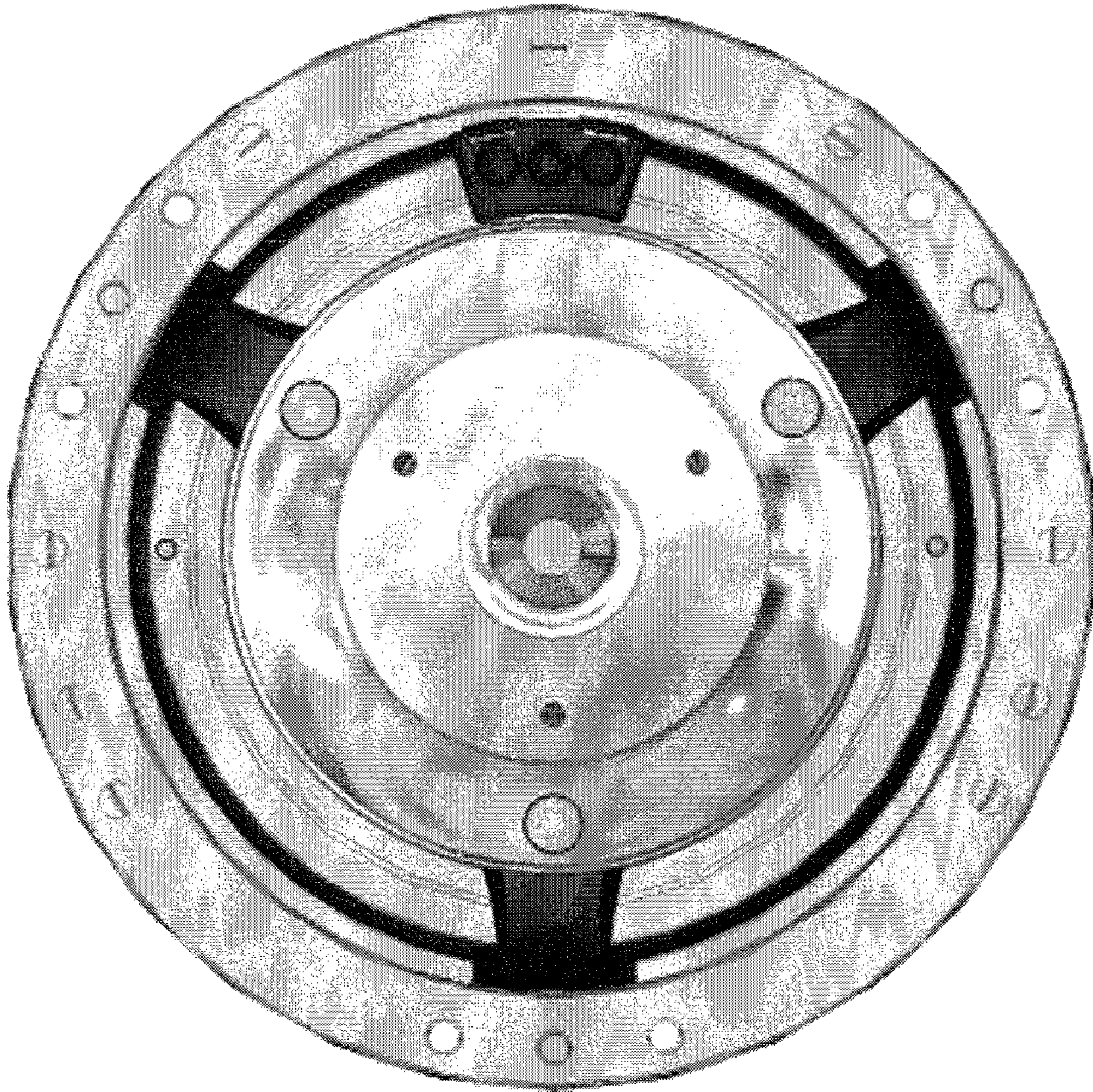


Fig. 6





**Fig. 7**