



US00D591267S

(12) **United States Design Patent**
Files

(10) **Patent No.:** **US D591,267 S**

(45) **Date of Patent:** **** Apr. 28, 2009**

(54) **SPEAKER HOUSING**

D524,799 S * 7/2006 Hibi D14/216
D535,288 S 1/2007 Files
D552,516 S 10/2007 Files
D563,286 S 3/2008 Files

(76) **Inventor:** **Edward M. Files**, 4818 NE. Pebble
Beach St., Lee's Summit, MO (US)
64064

* cited by examiner

(**) **Term:** **14 Years**

Primary Examiner—Nanda Bondade
(74) *Attorney, Agent, or Firm*—Erickson, Kernell Derousseau
& Kleypas, LLC

(21) **Appl. No.:** **29/320,472**

(22) **Filed:** **Jun. 27, 2008**

(57) **CLAIM**

(51) **LOC (9) Cl.** **14-01**

The ornamental design for a speaker housing, as shown and described.

(52) **U.S. Cl.** **D14/216; D12/114**

(58) **Field of Classification Search** D14/204,
D14/210–216, 172; 181/143–144, 147–148,
181/150–153, 157, 198–199; 381/300–303,
381/306, 332–333, 336, 345, 361–364, 386–388;
D12/110–111, 114, 126, 178, 415
See application file for complete search history.

DESCRIPTION

FIG. 1 is a perspective view of a speaker housing according to the present invention;

FIG. 2 is a front elevational view thereof;

FIG. 3 is a rear elevational view thereof;

FIG. 4 is a left side elevational view thereof;

FIG. 5 is a right side elevational view thereof;

FIG. 6 is a top plan view thereof; and,

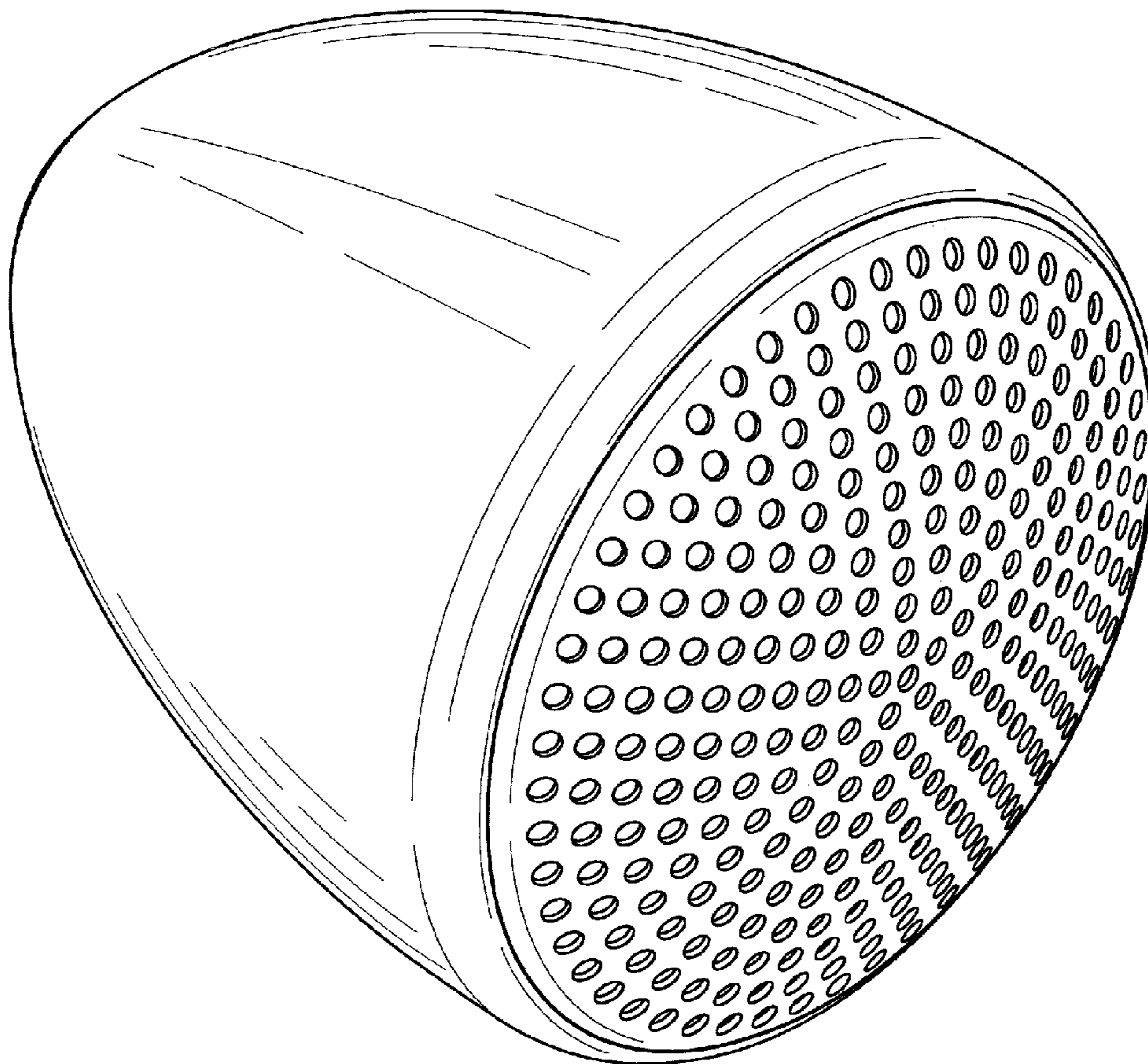
FIG. 7 is a bottom plan view thereof.

(56) **References Cited**

U.S. PATENT DOCUMENTS

D304,033 S * 10/1989 Villanueva et al. D12/114
D440,557 S * 4/2001 Su D14/215
6,647,121 B2 * 11/2003 Stanberry et al. 381/86
D519,887 S 5/2006 Files

1 Claim, 4 Drawing Sheets



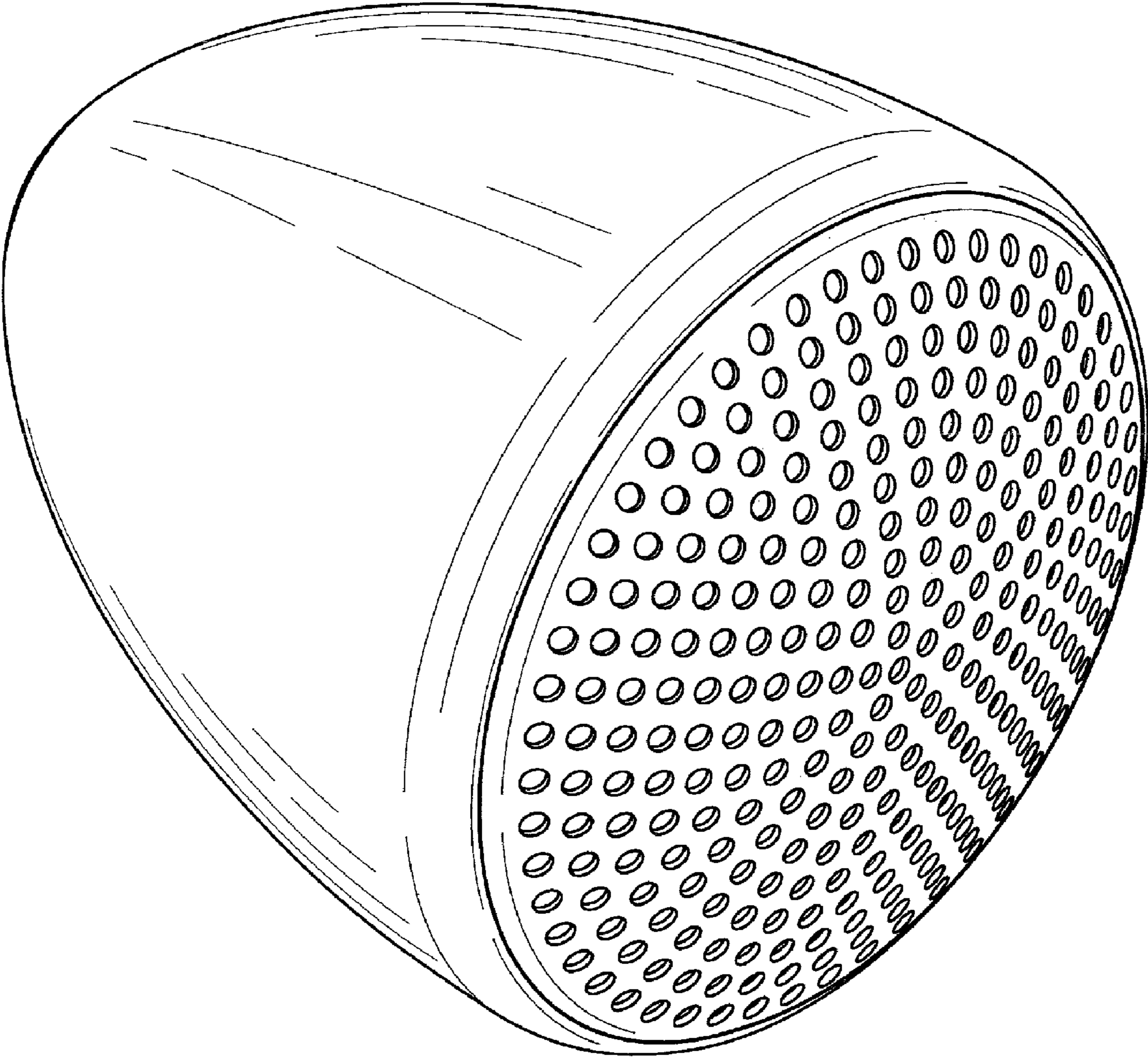


FIG. 1

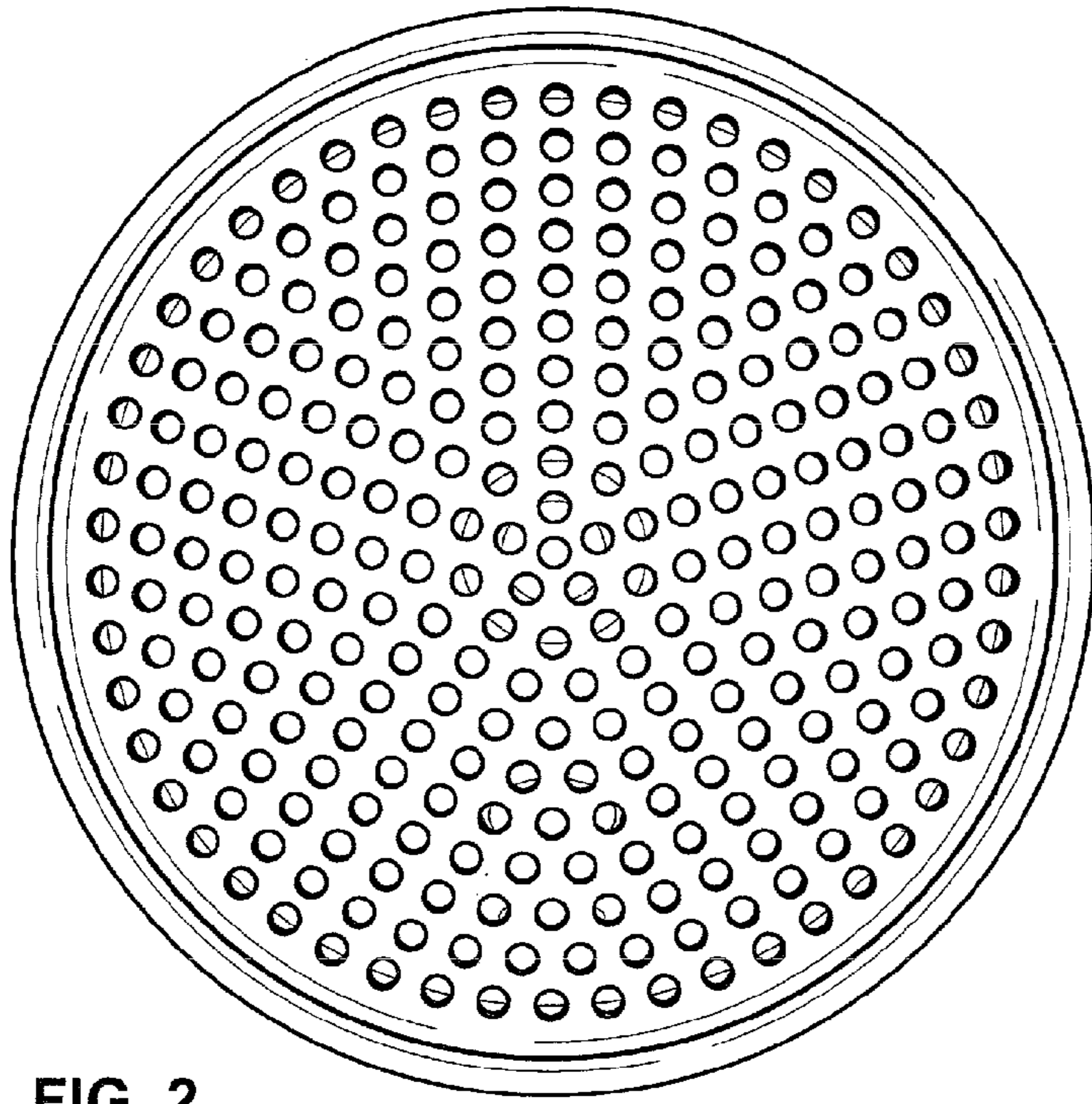


FIG. 2

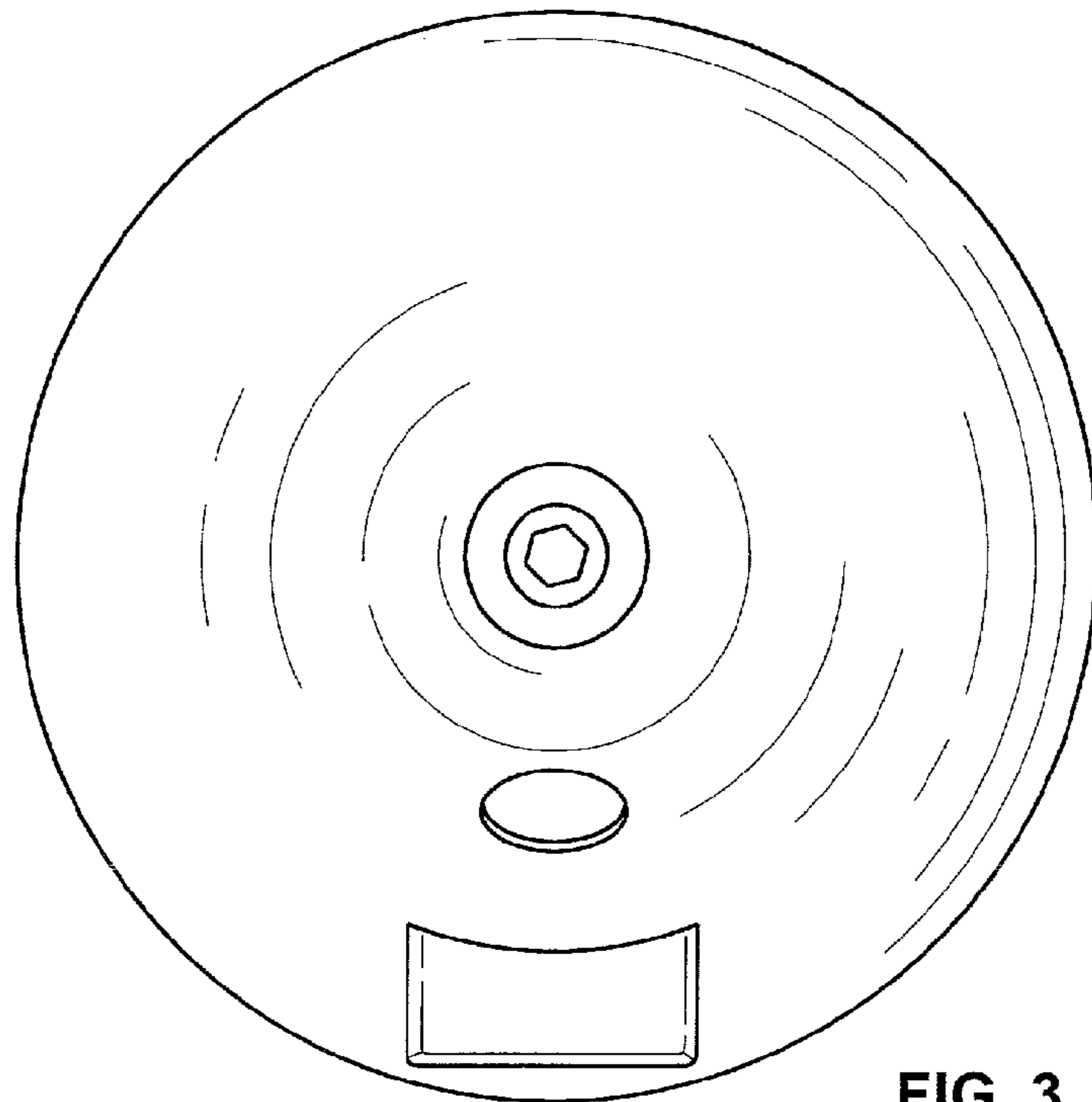


FIG. 3

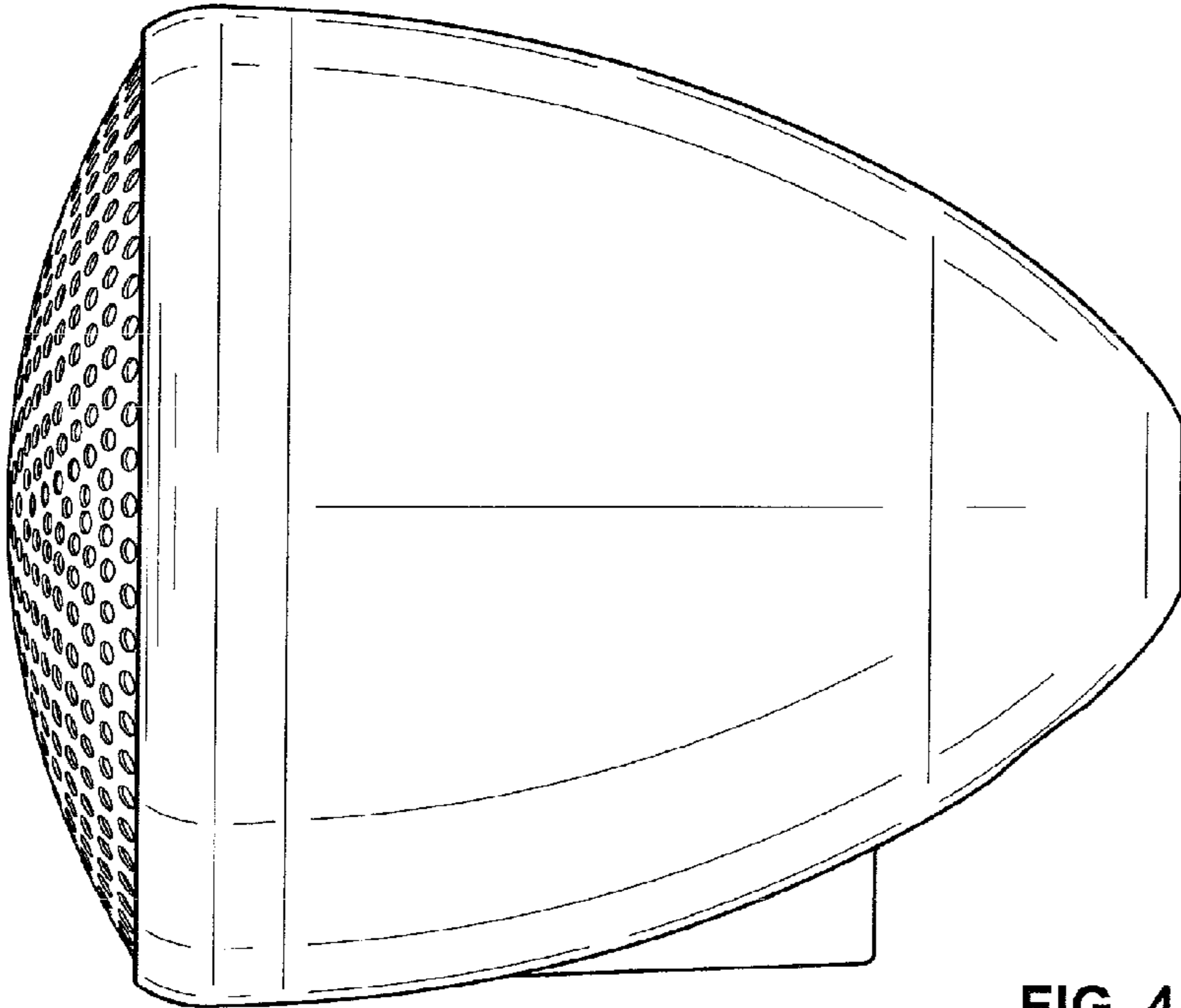


FIG. 4

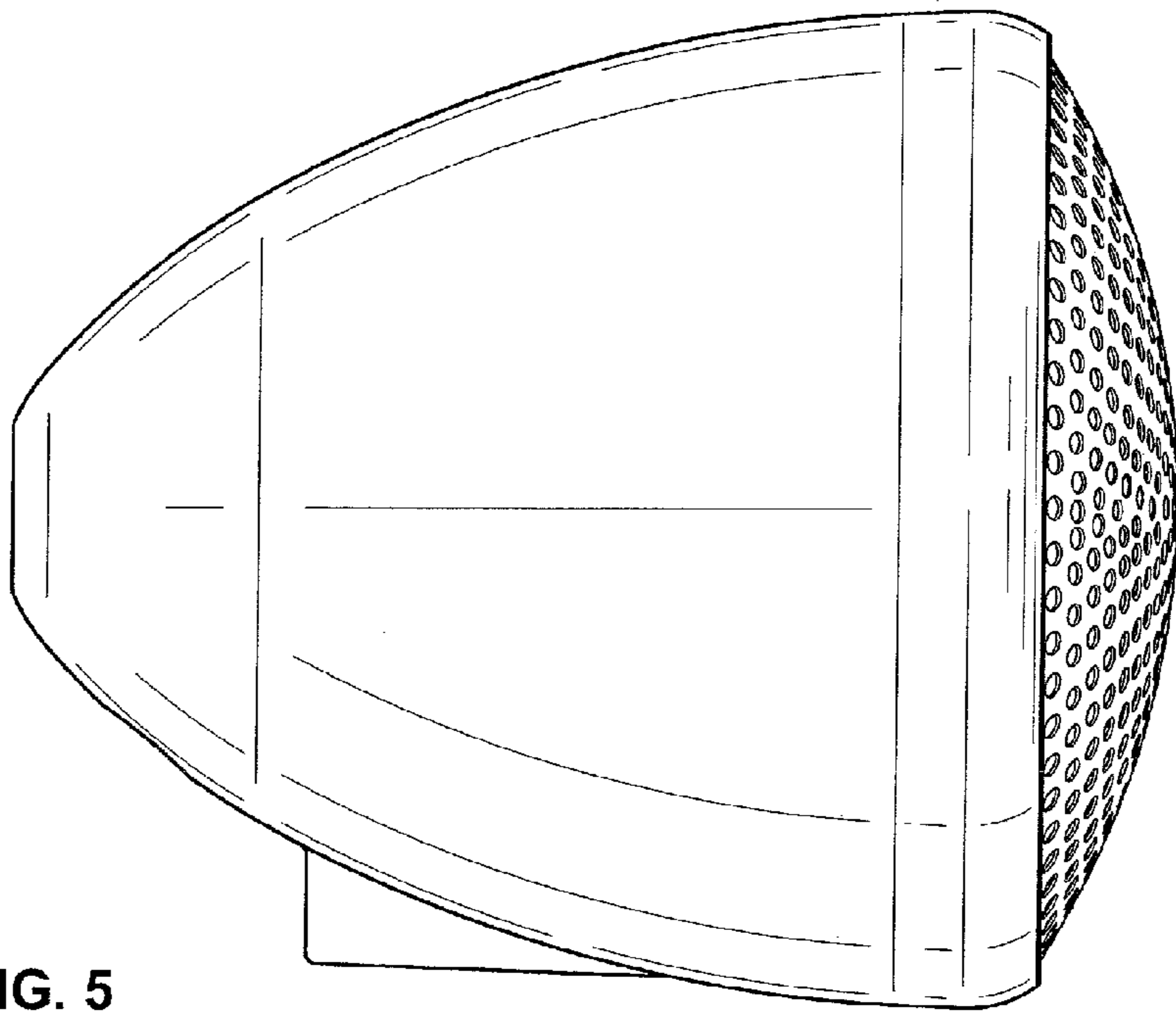


FIG. 5

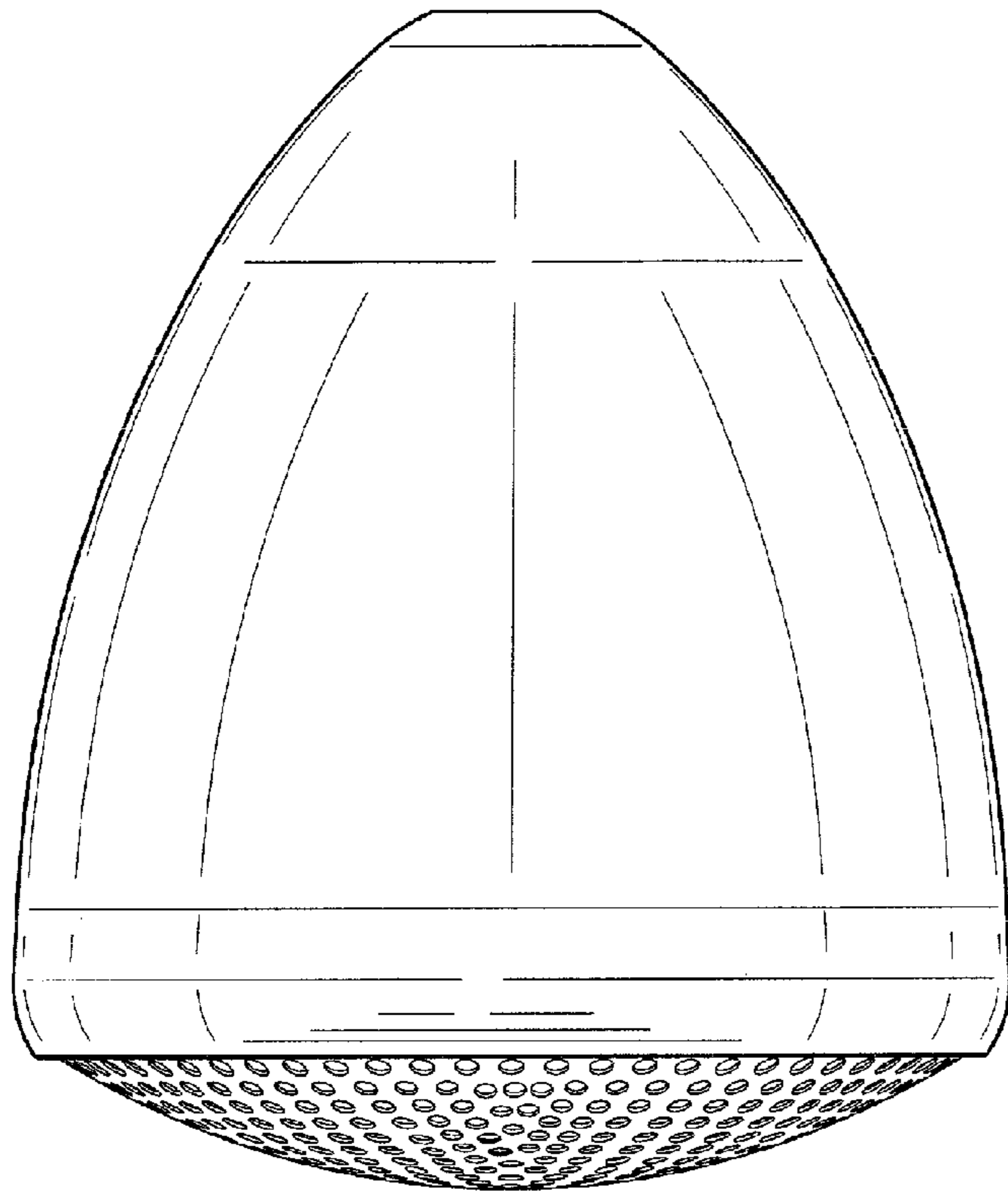


FIG. 6

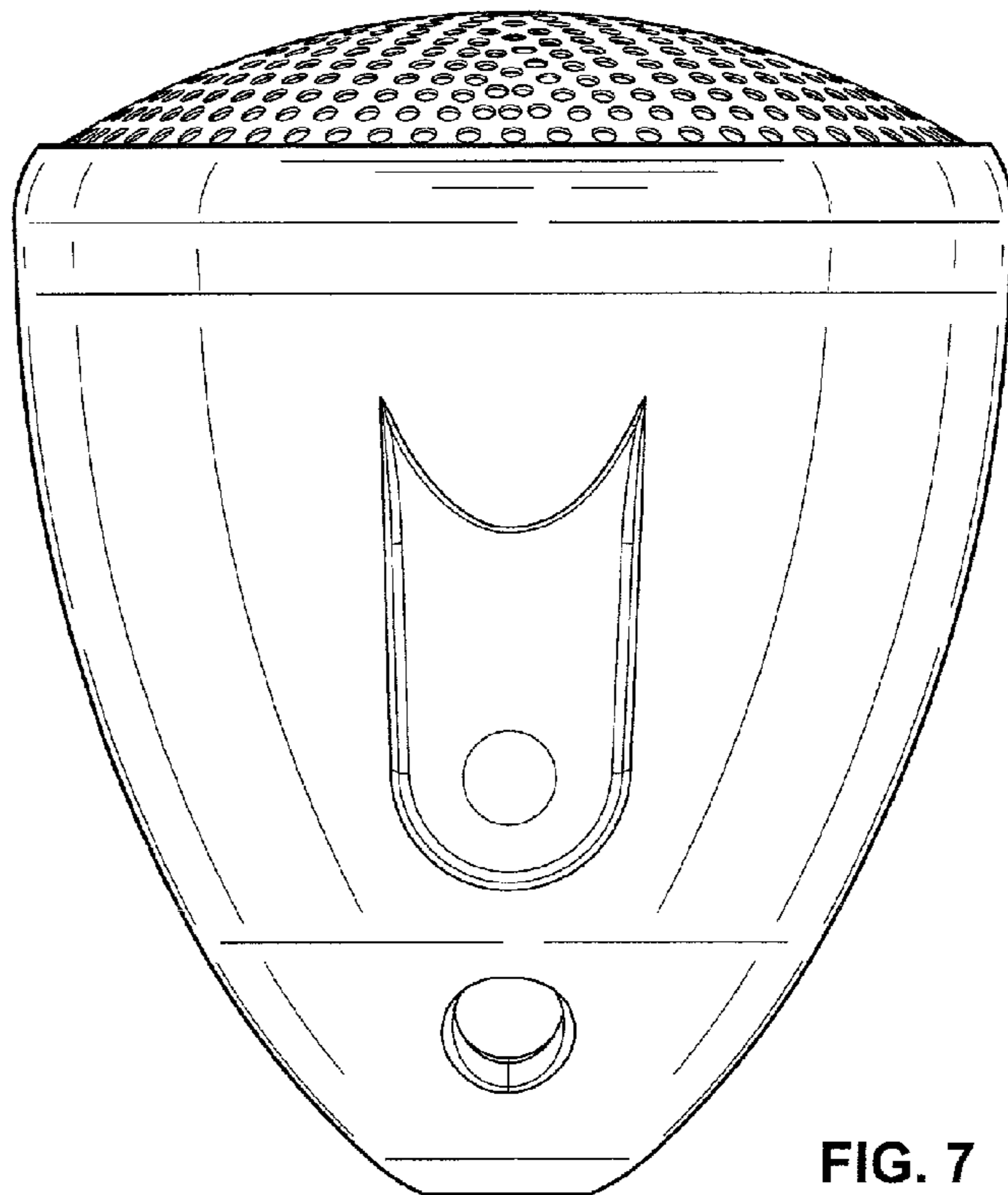


FIG. 7