

US00D591266S

(12) **United States Design Patent**
Motoishi

(10) **Patent No.:** **US D591,266 S**
(45) **Date of Patent:** **** Apr. 28, 2009**

(54) **SPEAKER BOX**
(75) Inventor: **Takuya Motoishi**, Tokyo (JP)
(73) Assignee: **Sony Corporation**, Tokyo (JP)
(**) Term: **14 Years**

D505,942 S * 6/2005 Meyer et al. D14/215
D506,746 S 6/2005 Hioki
D519,105 S 4/2006 Masui
D525,965 S 8/2006 Tsuge
D542,275 S 5/2007 Hibino

(21) Appl. No.: **29/309,197**
(22) Filed: **Jul. 7, 2008**

FOREIGN PATENT DOCUMENTS

MY 06-00954 12/2006

* cited by examiner

(30) **Foreign Application Priority Data**
Jan. 14, 2008 (CN) 2008 3 0001660

Primary Examiner—Nanda Bondade
(74) *Attorney, Agent, or Firm*—Rader, Fishman & Grauer, PLLC

(51) **LOC (9) Cl.** **14-01**
(52) **U.S. Cl.** **D14/215**
(58) **Field of Classification Search** D14/204,
D14/210–216, 172; 181/143–144, 147–148,
181/150–153, 157, 198–199; 381/300–303,
381/306, 332–333, 336, 345, 361–364, 386–388
See application file for complete search history.

(57) **CLAIM**

The ornamental design for a speaker box, as shown.

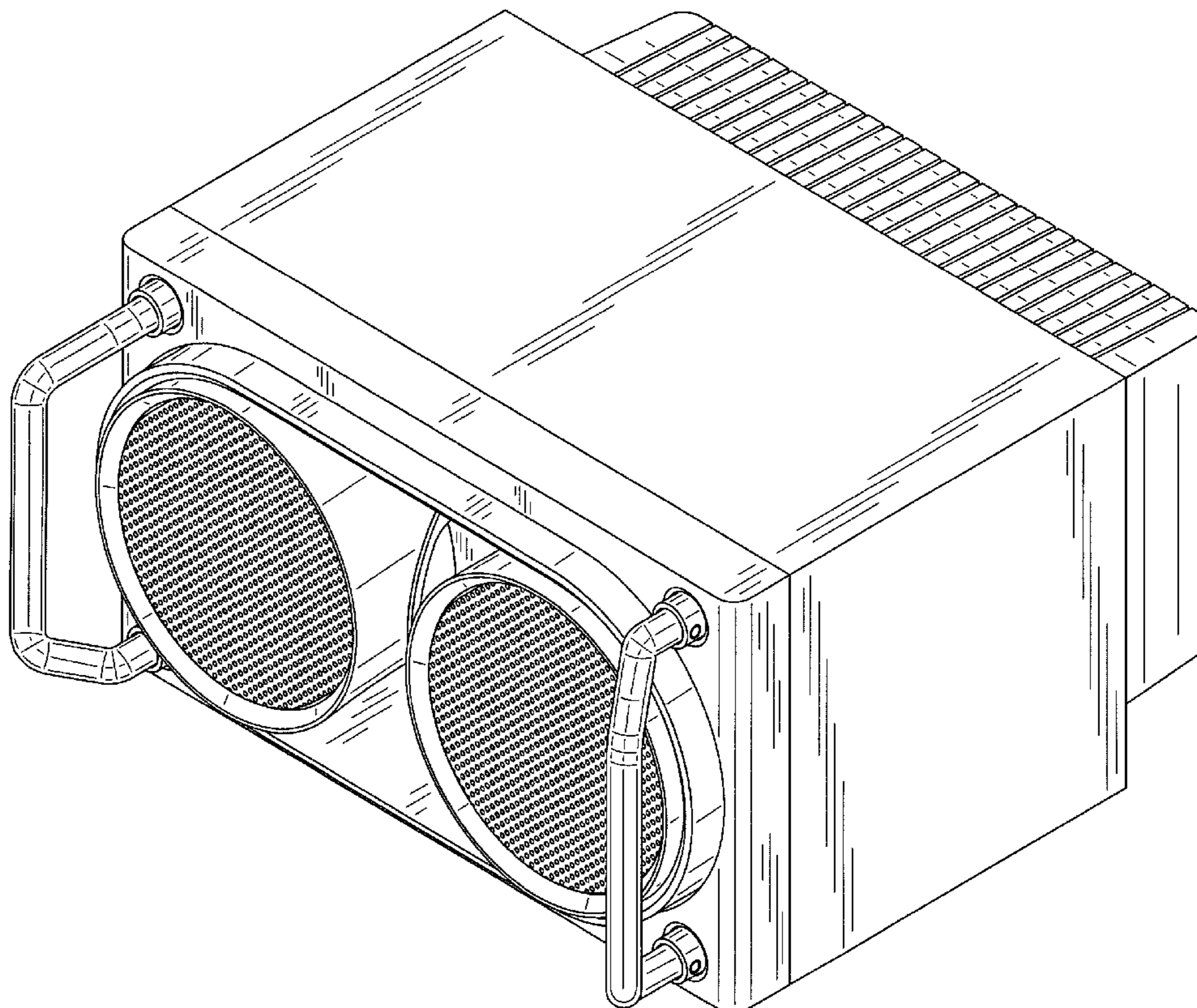
(56) **References Cited**
U.S. PATENT DOCUMENTS

DESCRIPTION

FIG. 1 is a perspective view of a speaker box showing my new design;
FIG. 2 is a front elevational view thereof;
FIG. 3 is a rear elevational view thereof;
FIG. 4 is a left side elevational view thereof;
FIG. 5 is a right side elevational view thereof;
FIG. 6 is a top plan view thereof; and,
FIG. 7 is a bottom plan view thereof.

D418,511 S 1/2000 Suzuki
D452,855 S 1/2002 Ota
D467,572 S 12/2002 Narita
D470,474 S 2/2003 Kobayashi
D497,897 S * 11/2004 Modschiedler D14/172

1 Claim, 7 Drawing Sheets



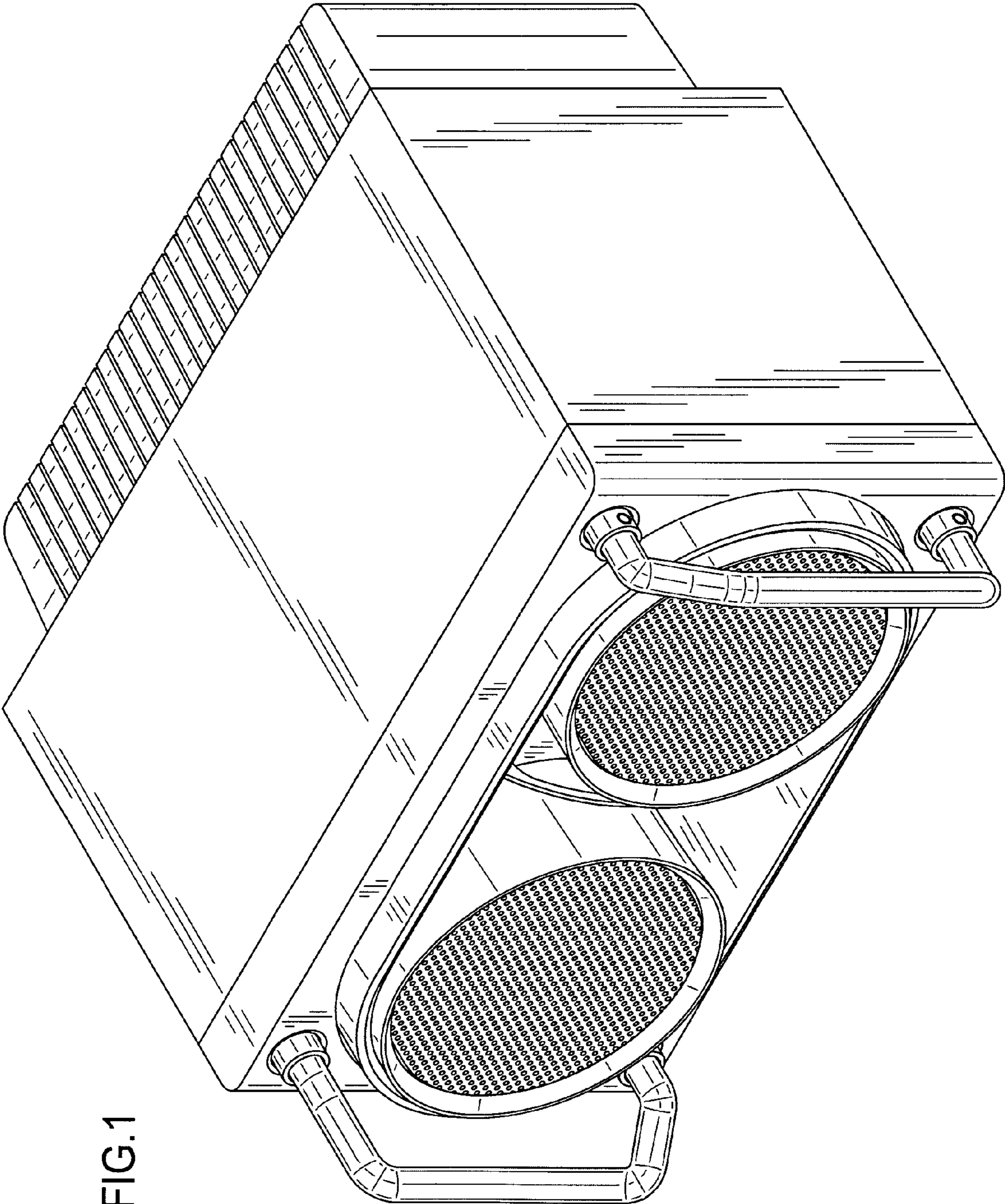


FIG.1

FIG.2

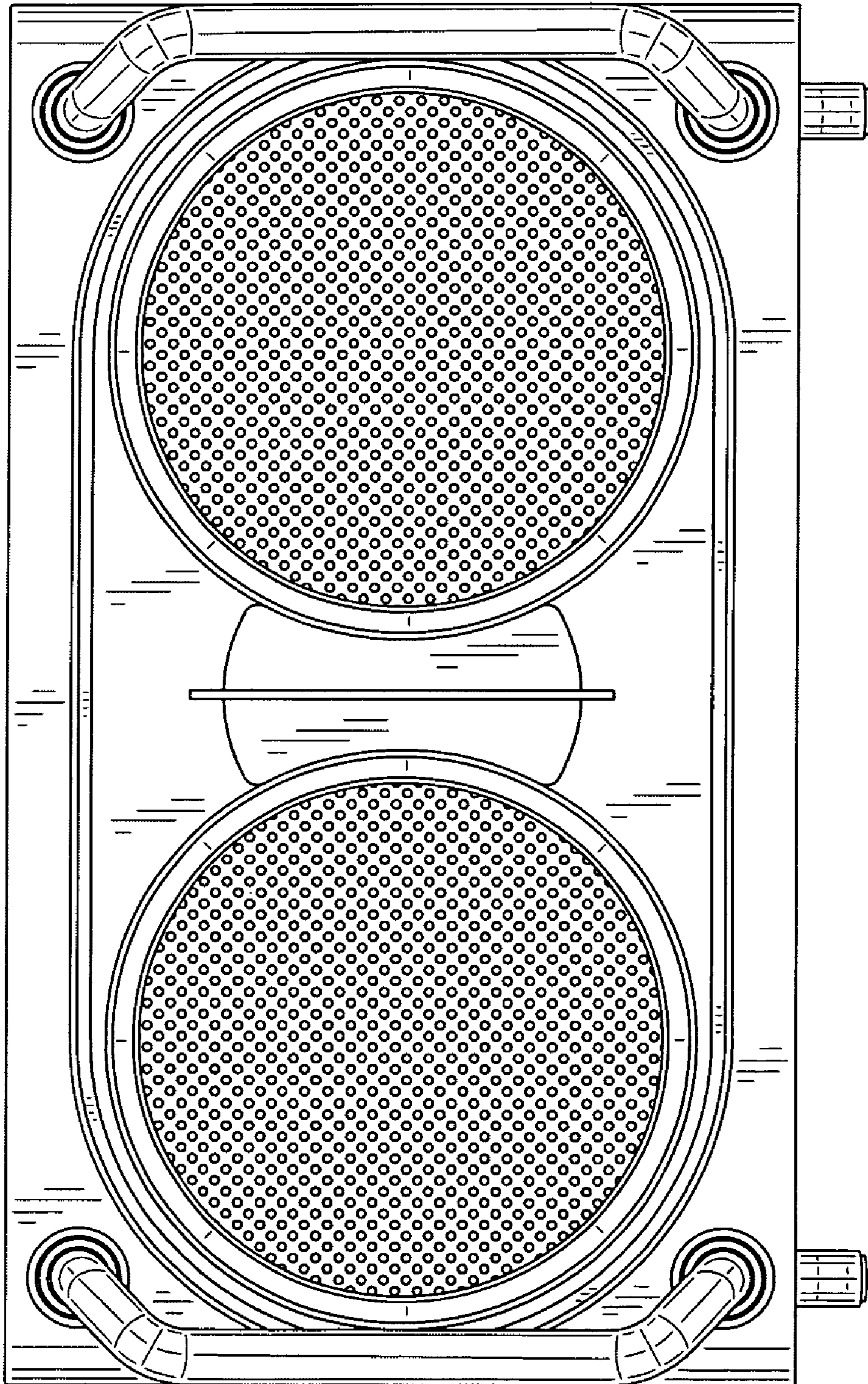


FIG.3

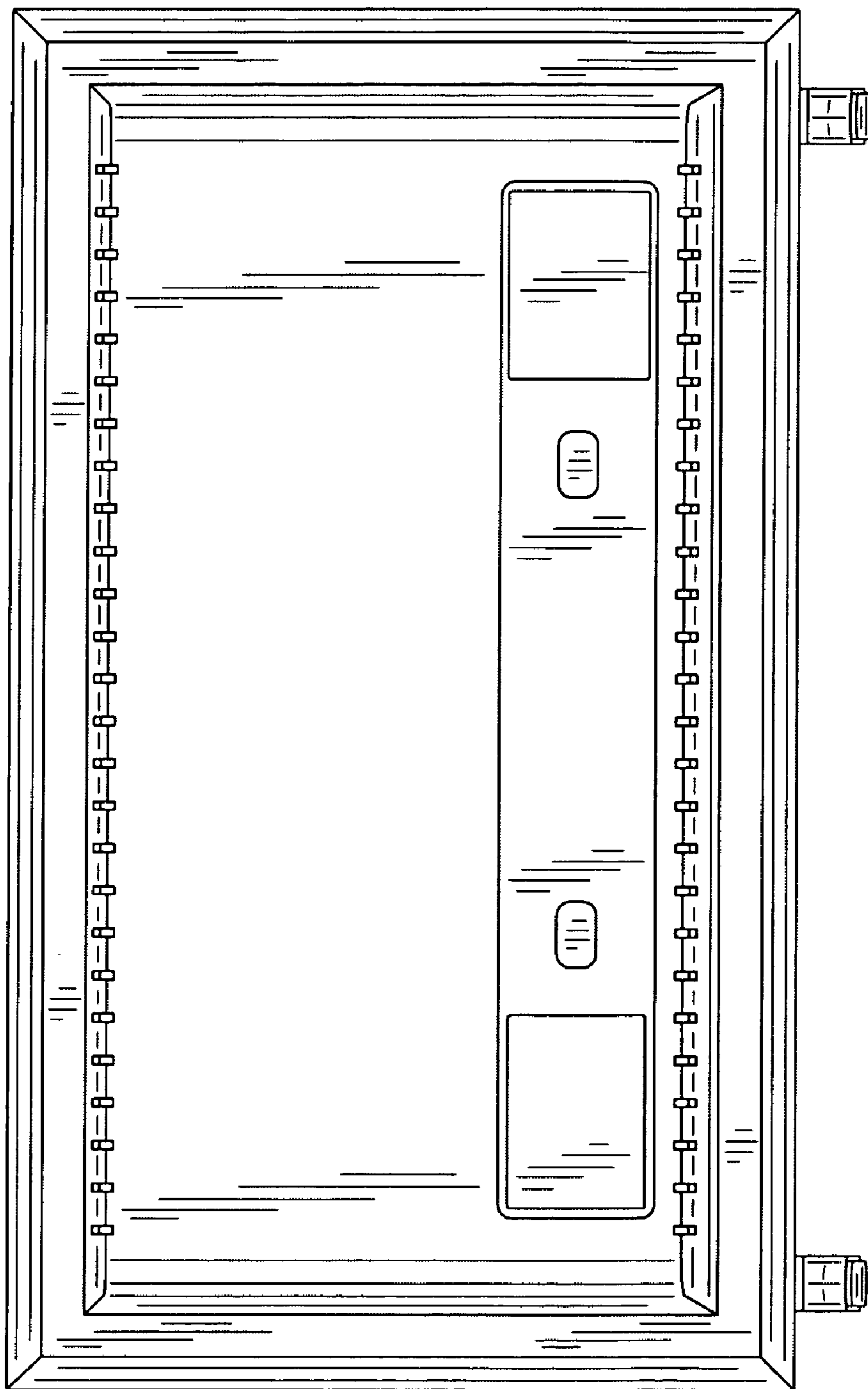


FIG.4

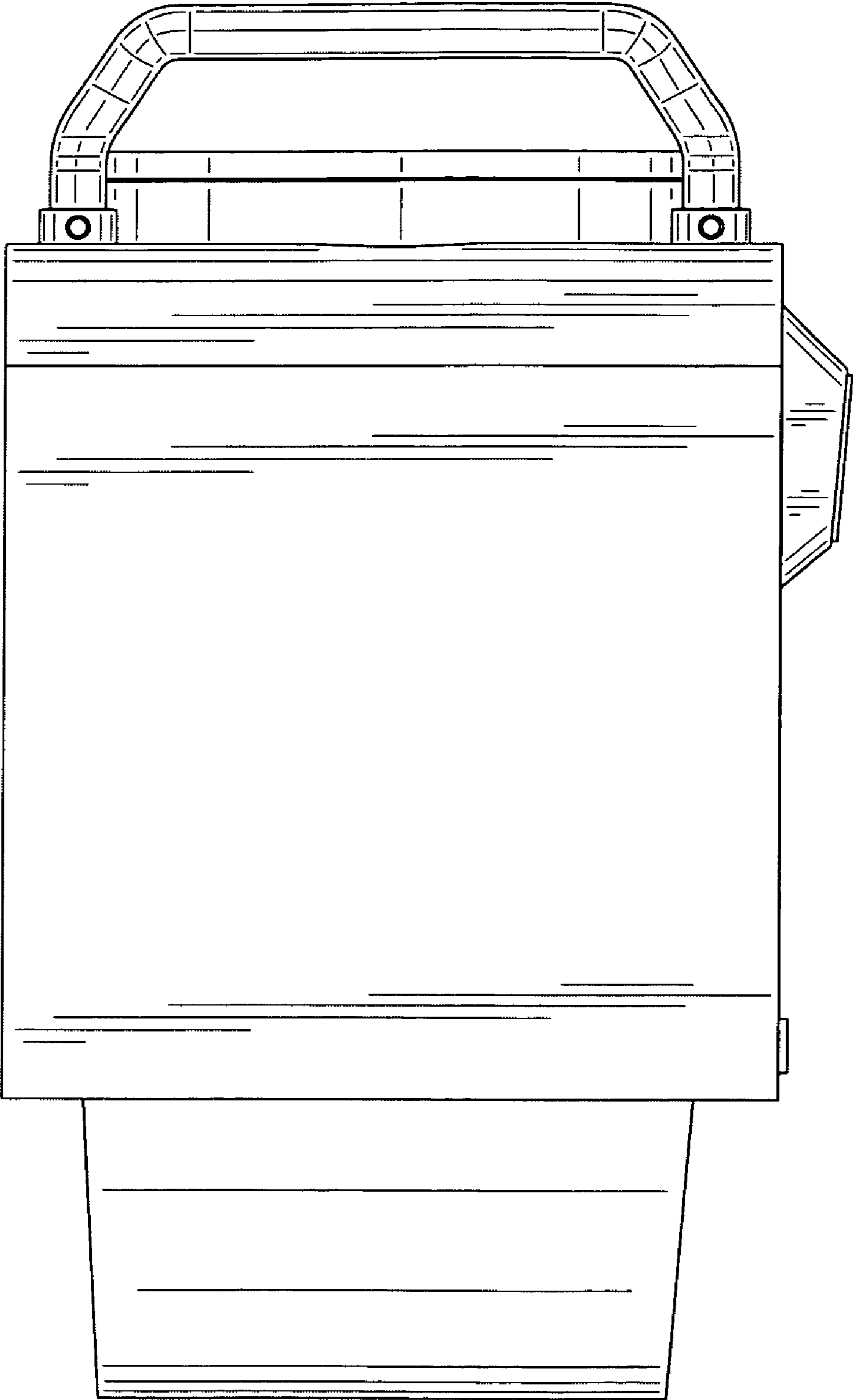


FIG.5

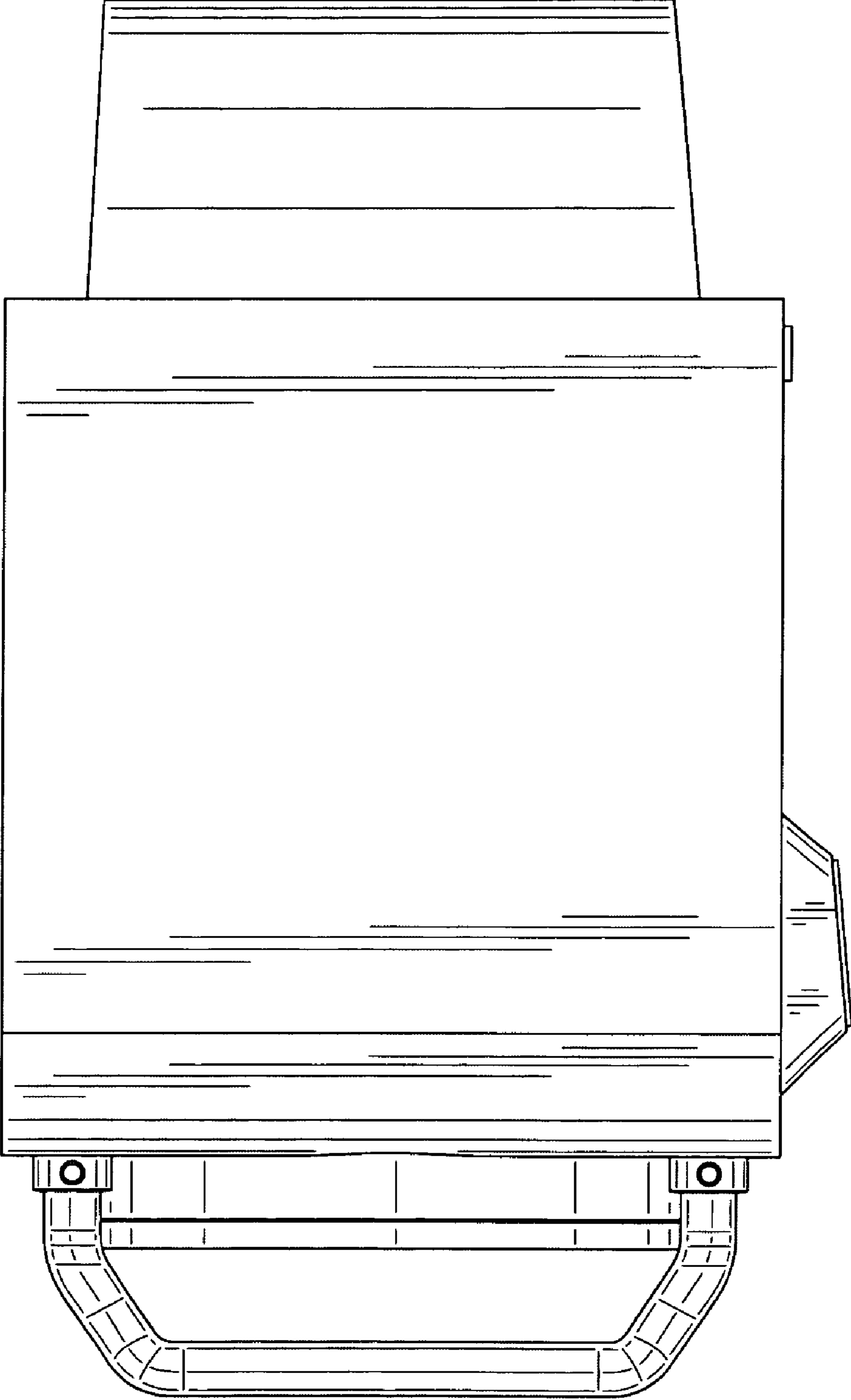


FIG.6

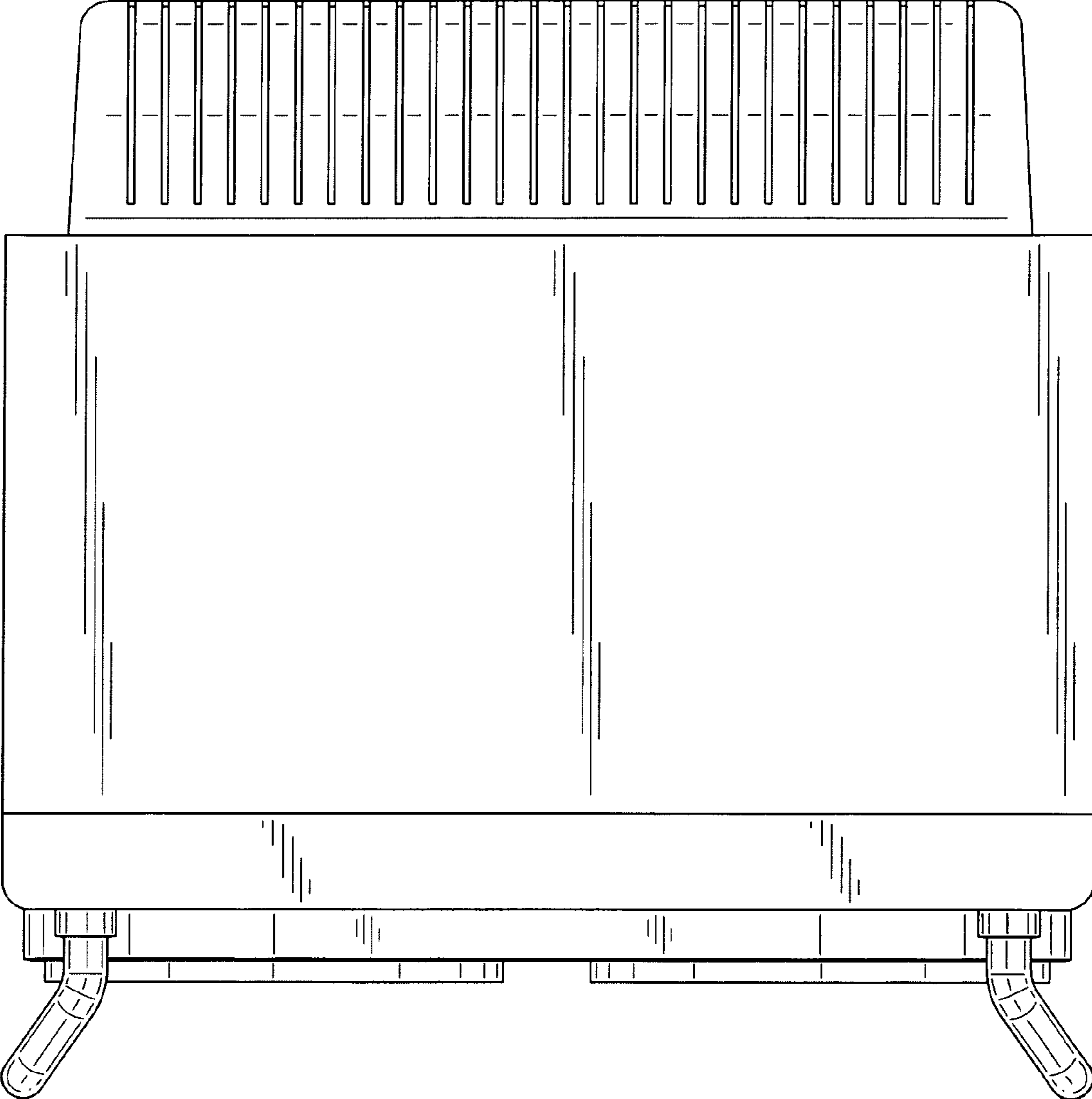


FIG.7

