



US00D591261S

(12) **United States Design Patent**
Holger

(10) **Patent No.:** **US D591,261 S**
(45) **Date of Patent:** **** Apr. 28, 2009**

(54) **ENTRY PHONE**

(75) Inventor: **Quick Holger**, Milan (IT)

(73) Assignee: **VIMAR S.p.A.** (IT)

(**) Term: **14 Years**

(21) Appl. No.: **29/239,334**

(22) Filed: **Sep. 29, 2005**

(30) **Foreign Application Priority Data**

Mar. 29, 2005 (EM) 000317383

(51) **LOC (9) Cl.** **14-03**

(52) **U.S. Cl.** **D14/142; D14/159**

(58) **Field of Classification Search** D14/130,
D14/137, 138, 140, 142, 147, 155, 159, 191,
D14/218, 240, 247-248, 341-347, 496; D3/276,
D3/282, 291, 294; D10/104, 106, 118, 65,
D10/78, 108; D13/152, 156, 158, 177, 184,
D13/168; D18/43, 7; D19/75; 455/556.1,
455/566, 575.1, 575.3; 345/169

See application file for complete search history.

(56) **References Cited**

U.S. PATENT DOCUMENTS

D241,322 S * 9/1976 Sparks et al. D10/106
D264,969 S * 6/1982 McGourty D14/496
D273,848 S * 5/1984 Monahan D10/106
D284,854 S * 7/1986 Vaillant D14/240
D306,704 S * 3/1990 Mallory D10/106
D336,895 S * 6/1993 Rogov D13/177
D338,656 S * 8/1993 Spayde et al. D14/341
D346,386 S * 4/1994 Brownlie et al. D14/240
D352,941 S * 11/1994 Bolton, Jr. D14/142
D364,618 S * 11/1995 Somoza D14/142
D365,562 S * 12/1995 Abrams D14/159
D367,859 S * 3/1996 Beaumont et al. D14/142
D377,652 S * 1/1997 Sarkiniemi D14/240
D388,061 S * 12/1997 Tuvy et al. D13/152
D390,134 S * 2/1998 Ingebritson et al. D10/50
D408,823 S * 4/1999 Kirby D14/240
D436,353 S * 1/2001 Taniguchi et al. D14/140.8

D447,075 S * 8/2001 Roberts D10/106
D455,746 S * 4/2002 Ronzani et al. D14/344
D460,708 S * 7/2002 Ohm et al. D10/104
D461,471 S * 8/2002 Newman et al. D14/344
D472,887 S * 4/2003 Right et al. D14/172
D489,353 S * 5/2004 Right et al. D14/172
D490,396 S * 5/2004 Yamaguchi et al. D14/159
D490,441 S * 5/2004 Inoue et al. D14/496
D500,748 S * 1/2005 Senda et al. D14/130
D502,156 S * 2/2005 Senda et al. D14/130
6,958,905 B2 * 10/2005 Hong et al. 361/687

(Continued)

FOREIGN PATENT DOCUMENTS

WO DM/050020 * 11/1999
WO DM/066328 * 10/2004
WO DM/067115 * 6/2005

Primary Examiner—Jeffrey D Asch
Assistant Examiner—Bridget L Eland
(74) *Attorney, Agent, or Firm*—Banner & Witcoff, Ltd.

(57) **CLAIM**

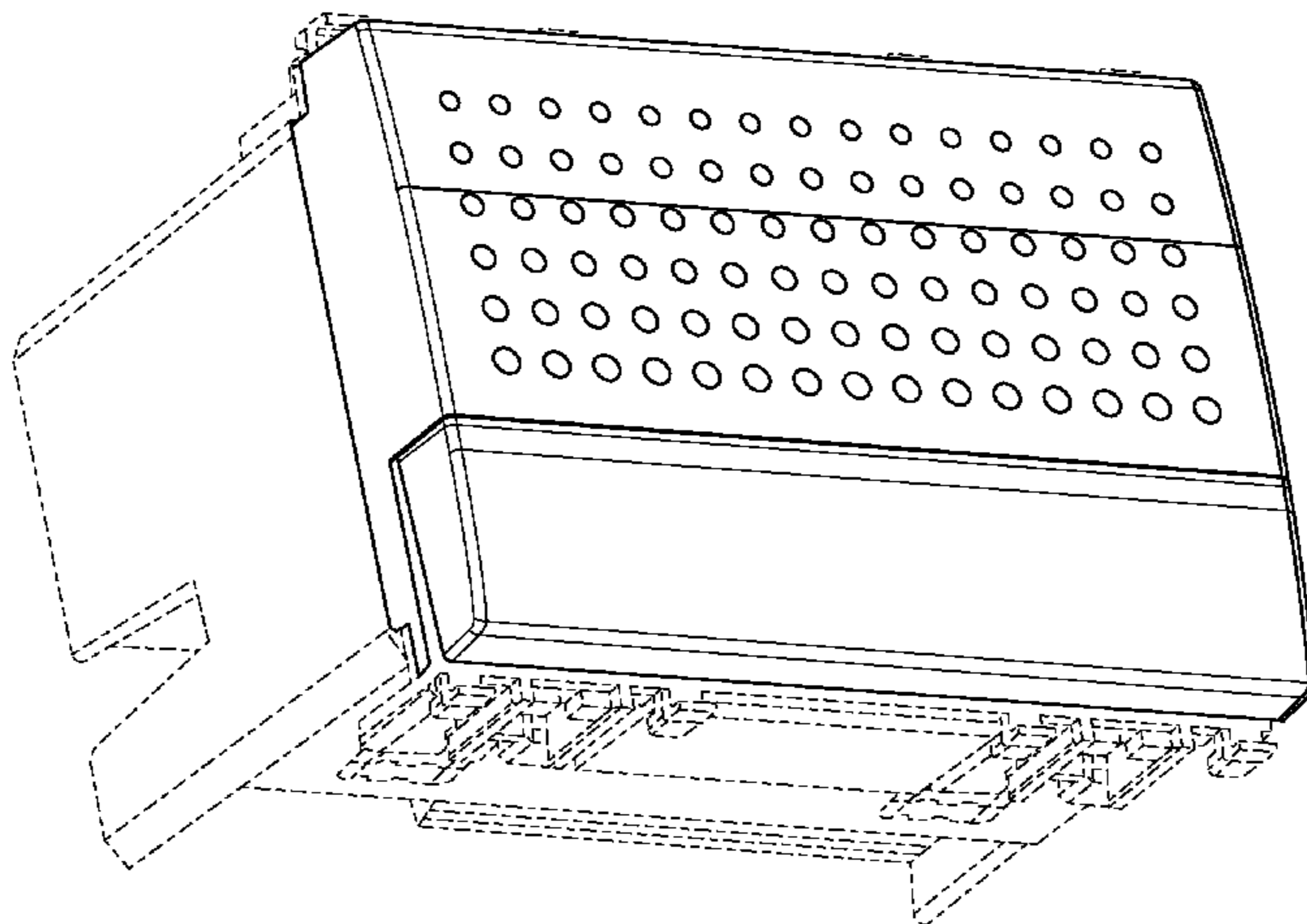
The ornamental design for an entry phone, as shown and described.

DESCRIPTION

FIG. 1 is a perspective view of an entry phone showing my new design;
FIG. 2 is a front view thereof;
FIG. 3 is a right side view thereof;
FIG. 4 is a left side view thereof;
FIG. 5 is a bottom view thereof; and,
FIG. 6 is a top view thereof.

The broken line showing of the remainder of the entry phone is for illustrative purposes only and forms no part of the claimed design.

1 Claim, 3 Drawing Sheets



US D591,261 S

Page 2

U.S. PATENT DOCUMENTS

D513,199 S	*	12/2005	Costa et al.	D10/106	D534,885 S	*	1/2007	Holger	D14/130
D525,963 S	*	8/2006	Yukikado et al.	D14/159	D536,271 S	*	2/2007	Moore	D10/50
D529,904 S	*	10/2006	Yeo	D14/240	D559,234 S	*	1/2008	Girard	D14/240
D531,160 S	*	10/2006	Yukikado et al.	D14/159	D559,719 S	*	1/2008	Schaeken et al.	D10/106
D533,793 S	*	12/2006	Moore	D10/50	D575,764 S	*	8/2008	Nakashima	D14/159

* cited by examiner

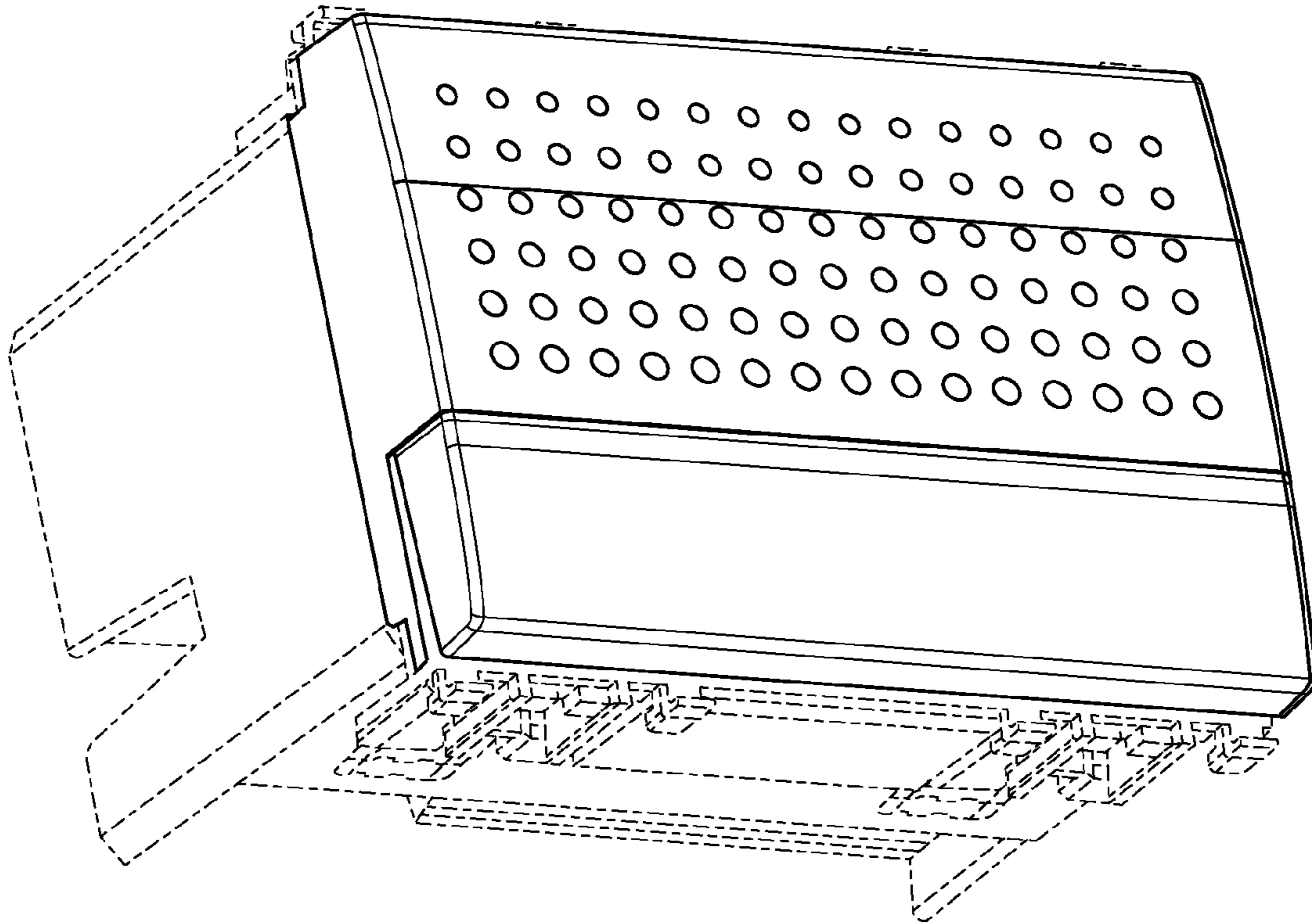


FIG. 1

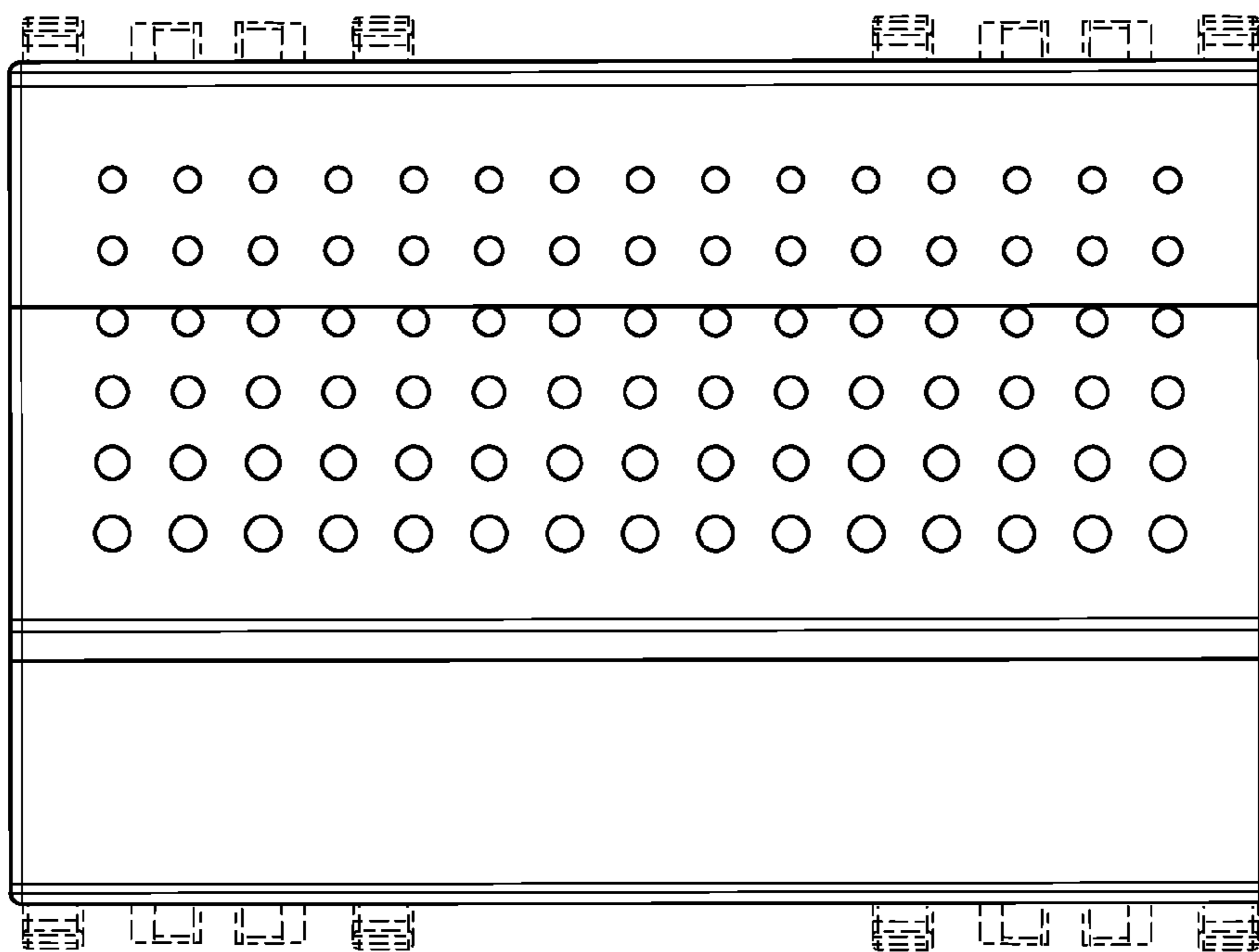


FIG. 2

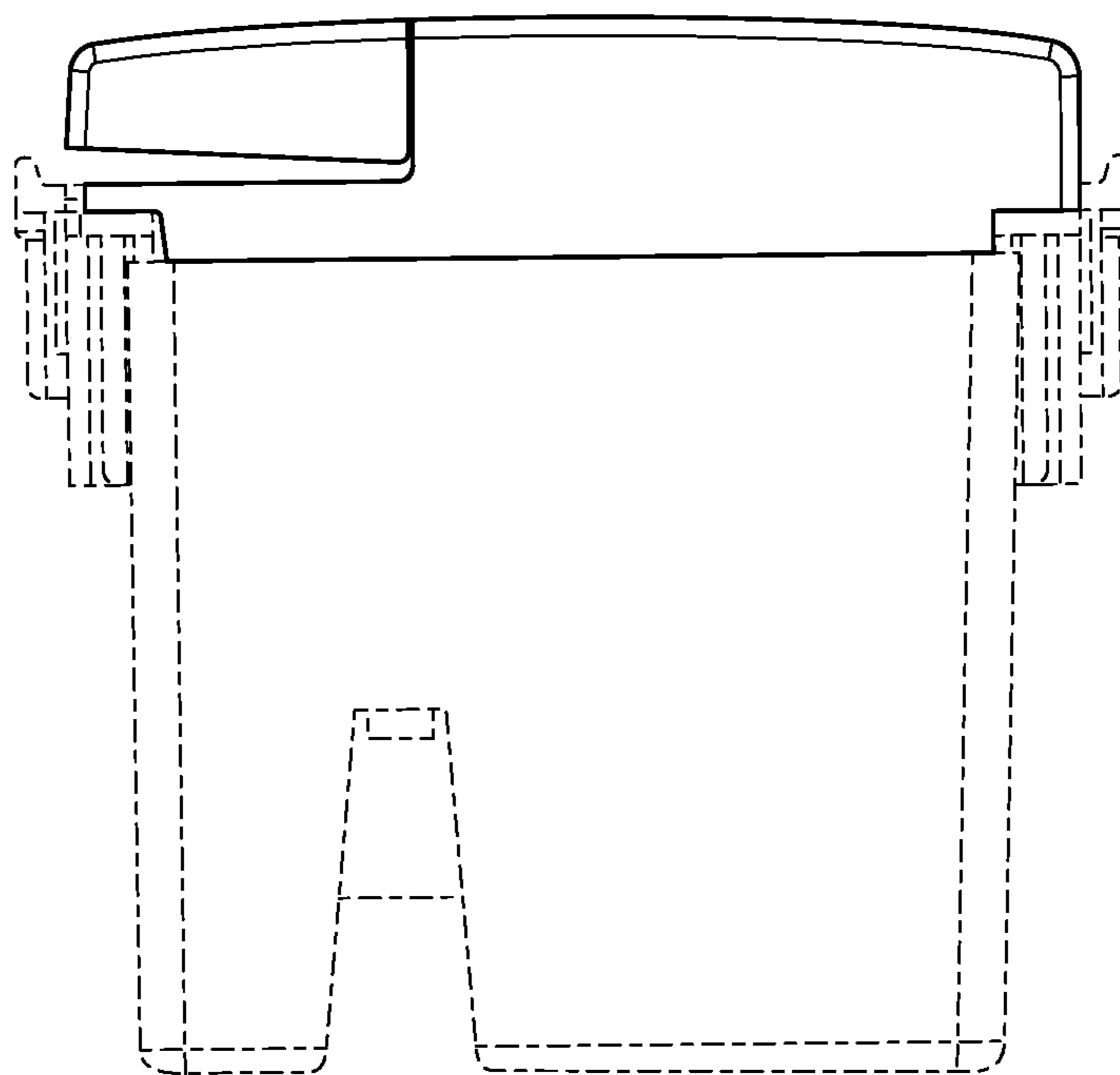


FIG. 3

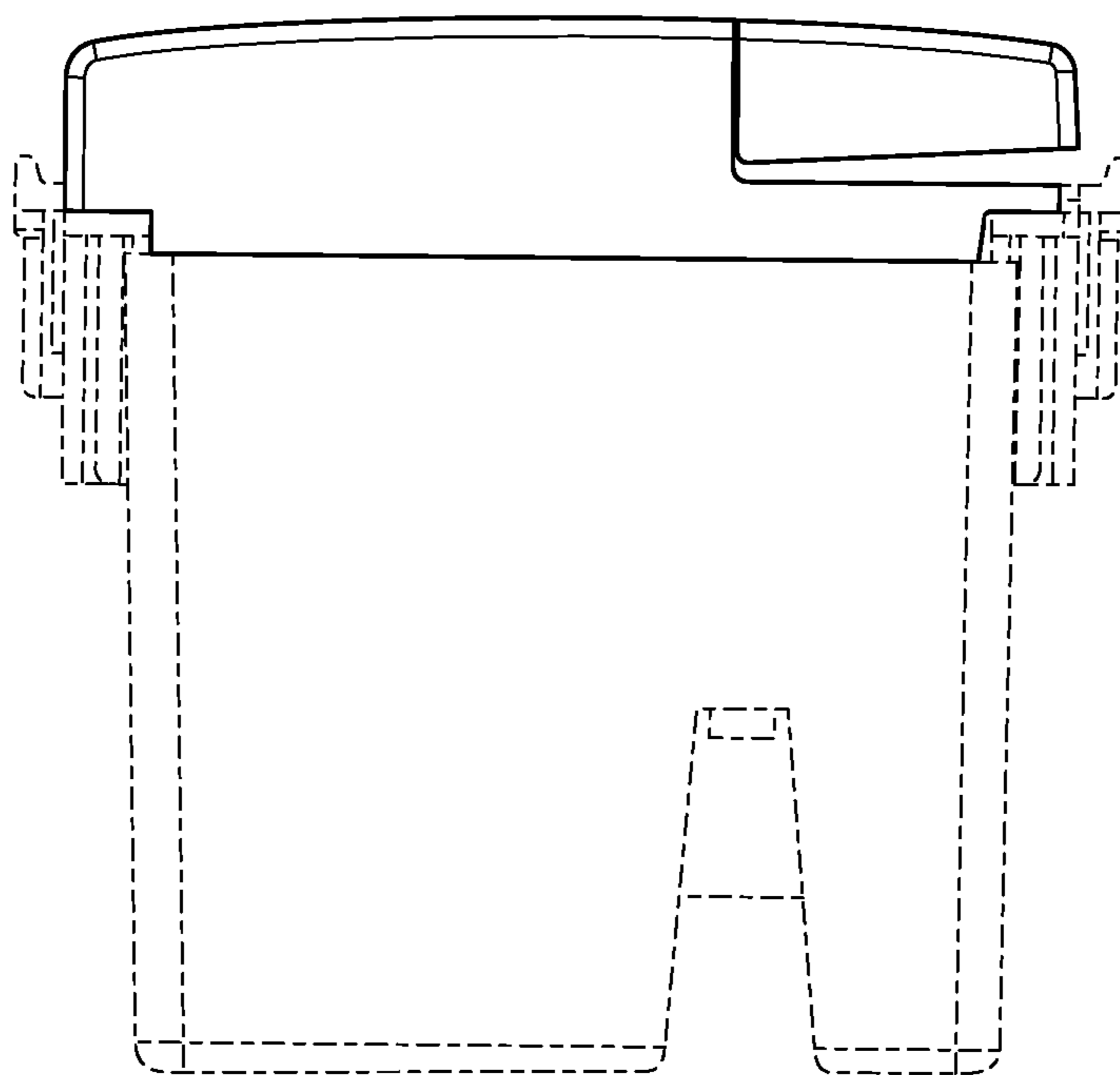


FIG. 4

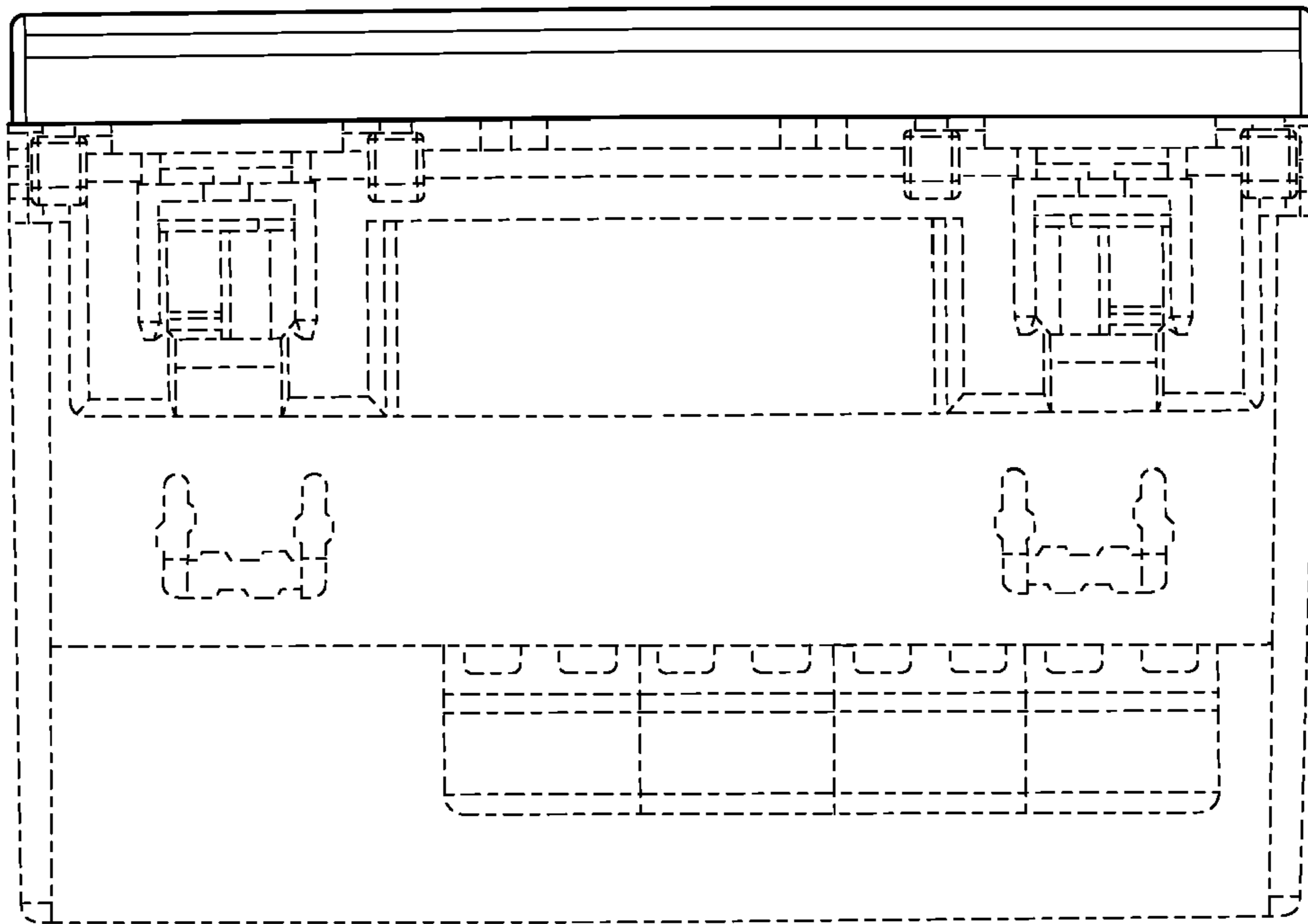


FIG. 5

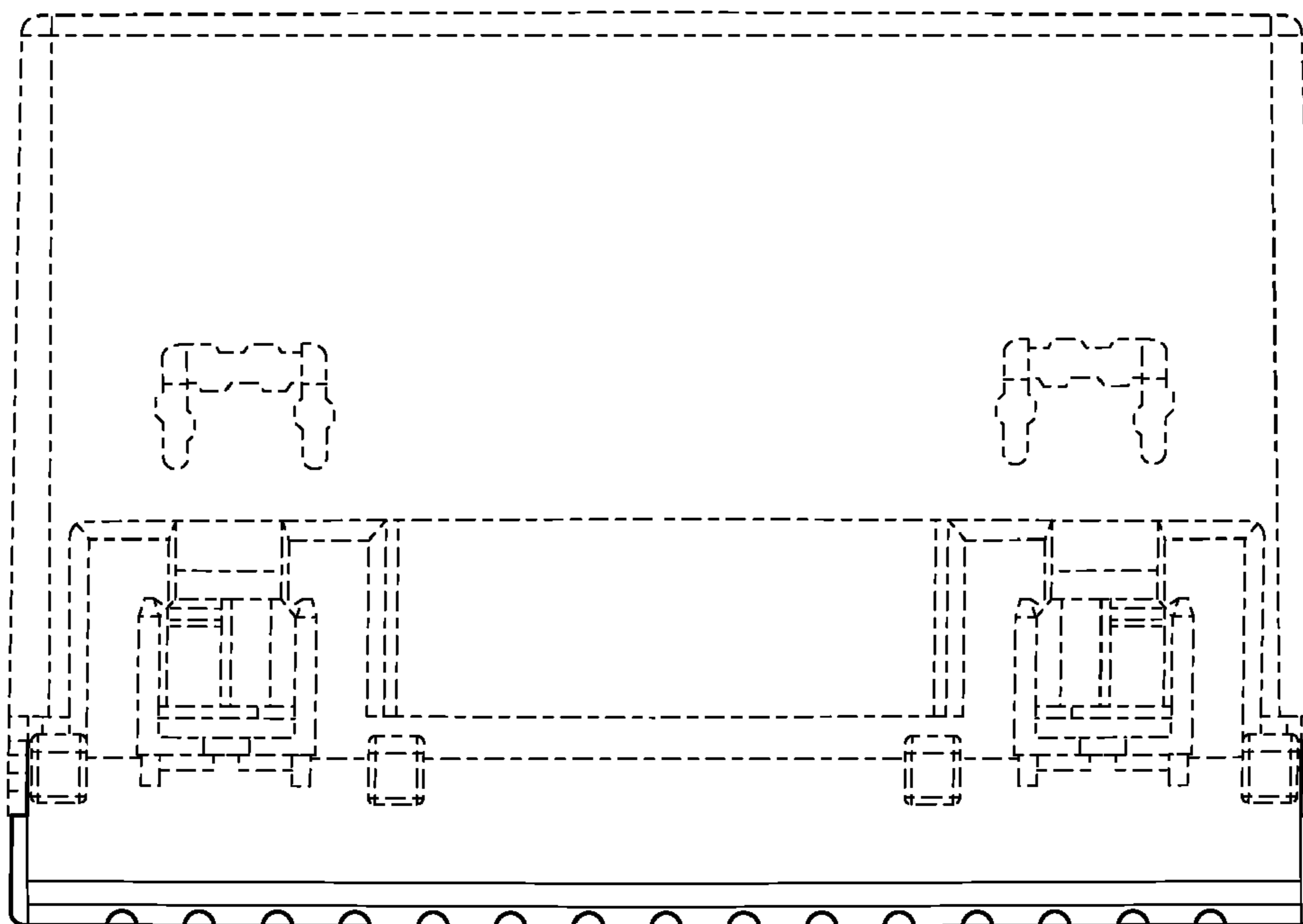


FIG. 6