



US00D591255S

(12) **United States Design Patent**
Lee et al.

(10) **Patent No.:** **US D591,255 S**
(45) **Date of Patent:** **** Apr. 28, 2009**

(54) **CELLULAR PHONE**

(75) Inventors: **Seung Il Lee**, Seoul (KR); **Jung Soo Yang**, Seoul (KR)

(73) Assignee: **LG Electronics Inc.**, Seoul (KR)

(**) Term: **14 Years**

(21) Appl. No.: **29/300,519**

(22) Filed: **Apr. 4, 2008**

(30) **Foreign Application Priority Data**

Nov. 15, 2007 (KR) 30-2007-0047556

(51) **LOC (9) Cl.** **14-03**

(52) **U.S. Cl.** **D14/138 AA; D14/138 AB**

(58) **Field of Classification Search** D14/138 AB,
D14/138 AA, 496, 341-347; 455/575.3,
455/575.1

See application file for complete search history.

(56) **References Cited**

U.S. PATENT DOCUMENTS

- D356,105 S * 3/1995 Miyahara et al. D14/345
- D356,595 S * 3/1995 Miyahara D14/345
- D525,620 S * 7/2006 Esslinger et al. D14/346
- 7,181,256 B2 * 2/2007 Hyun et al. 455/575.3
- D538,773 S * 3/2007 Joung D14/138 AA
- D540,773 S * 4/2007 Meng et al. D14/138 AA
- D545,795 S * 7/2007 Kim et al. D14/138 AB
- D552,584 S * 10/2007 Lee D14/138 AA
- D557,240 S * 12/2007 Lee D14/138 AB
- D557,674 S * 12/2007 Lee et al. D14/138 AB
- D561,729 S * 2/2008 Kim et al. D14/138 AA
- D563,371 S * 3/2008 Kim et al. D14/138 AA
- D565,017 S * 3/2008 Kim et al. D14/138 AA
- D574,347 S * 8/2008 Lee et al. D14/138 AA
- D574,351 S * 8/2008 Kim et al. D14/138 AA
- D574,808 S * 8/2008 Shintani D14/138 AA
- D577,371 S * 9/2008 Hu et al. D14/496

- D580,400 S * 11/2008 Chung et al. D14/138 R
- D581,385 S * 11/2008 Park et al. D14/138 R
- D582,374 S * 12/2008 Hu et al. D14/138 R
- D583,343 S * 12/2008 Lee et al. D14/138 AA
- D584,269 S * 1/2009 Baik et al. D14/138 AA
- 2006/0135229 A1 * 6/2006 Kwak et al. 455/575.4

OTHER PUBLICATIONS

LG KT610 telephone, announced Feb. 2008, [online], [site visited Jan. 19, 2009]. Available from Internet ,<URL: <http://www.gsmarena.com>>.*

Toshiba G910/G920 telephone, announced Jan. 2008, [online], [site visited Jan. 19, 2009]. Available from Internet ,<URL: <http://www.gsmarena.com>>.*

Nokia N82 telephone, announced Nov. 2007, [online], [site visited Jan. 19, 2009]. Available from Internet ,<URL: <http://www.gsmarena.com>>.*

* cited by examiner

Primary Examiner—Jeffrey D Asch

(74) *Attorney, Agent, or Firm*—Morgan Lewis & Bockius LLP

(57) **CLAIM**

The ornamental design for a cellular phone, as shown and described.

DESCRIPTION

FIG. 1 is a top, front perspective of the cellular phone showing our new design;

FIG. 2 is a front view thereof;

FIG. 3 is a rear view thereof;

FIG. 4 is a left side view thereof;

FIG. 5 is a right side view thereof;

FIG. 6 is a top plan view thereof;

FIG. 7 is a bottom plan view thereof; and,

FIG. 8 is a front view in an open position thereof.

1 Claim, 6 Drawing Sheets

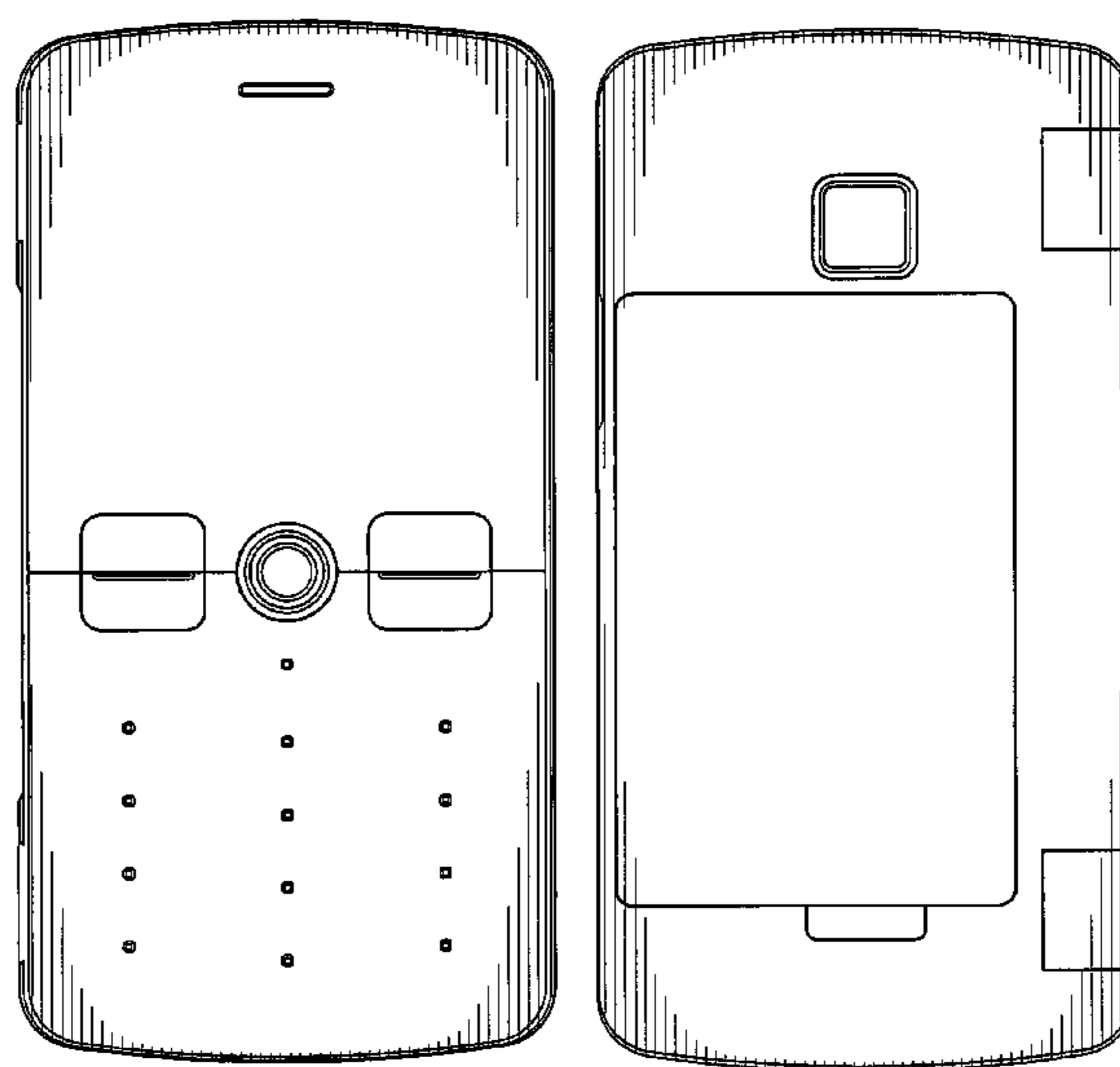


Fig. 1

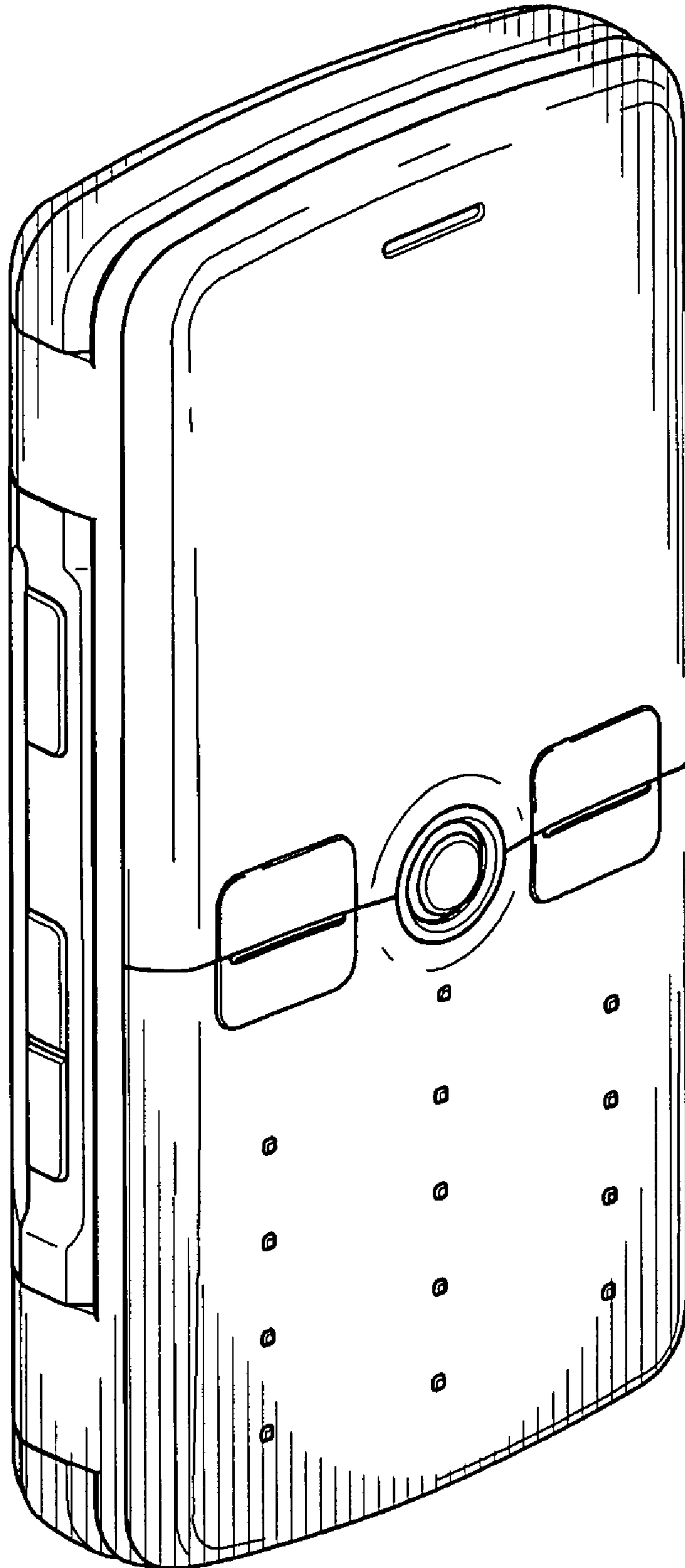


Fig. 2

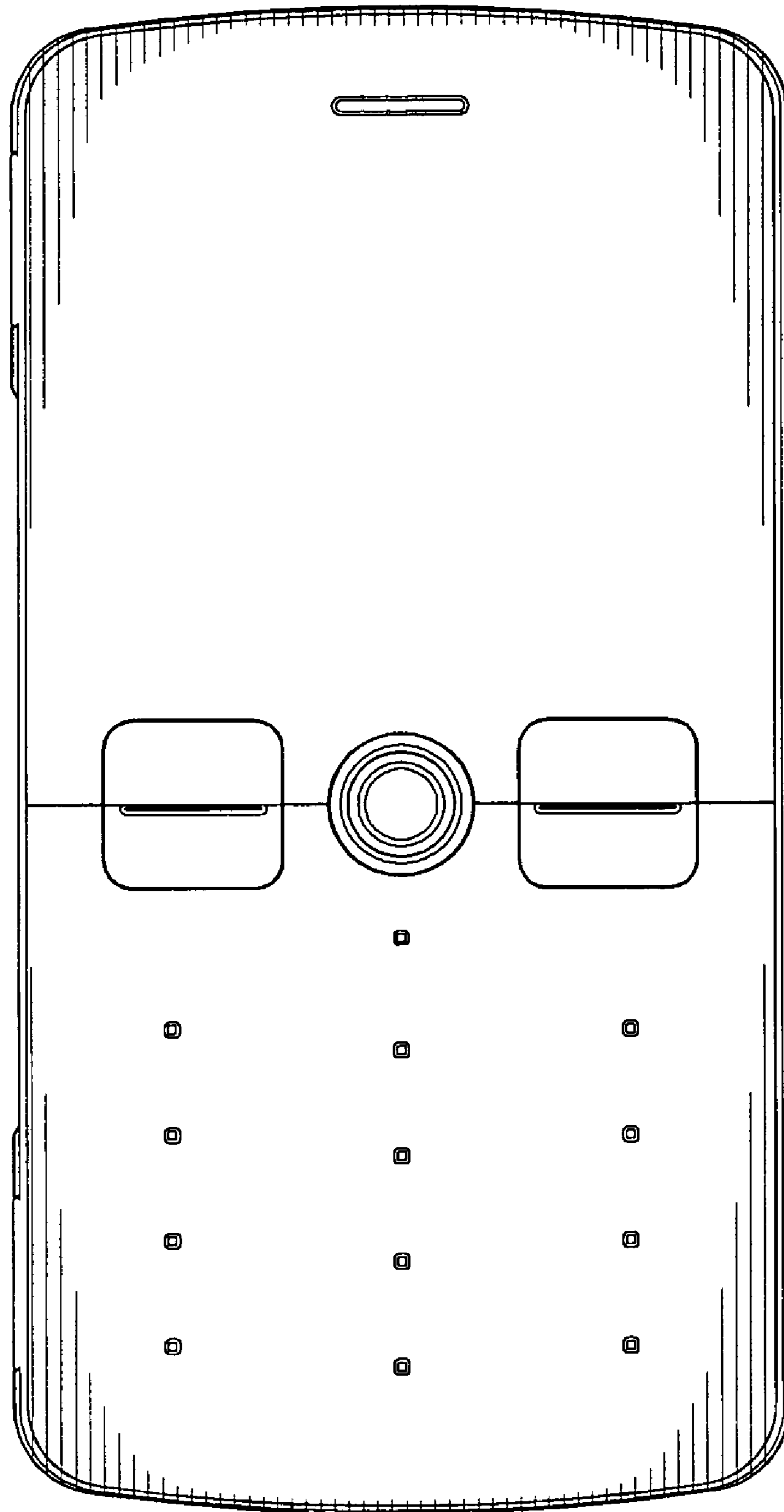


Fig. 3

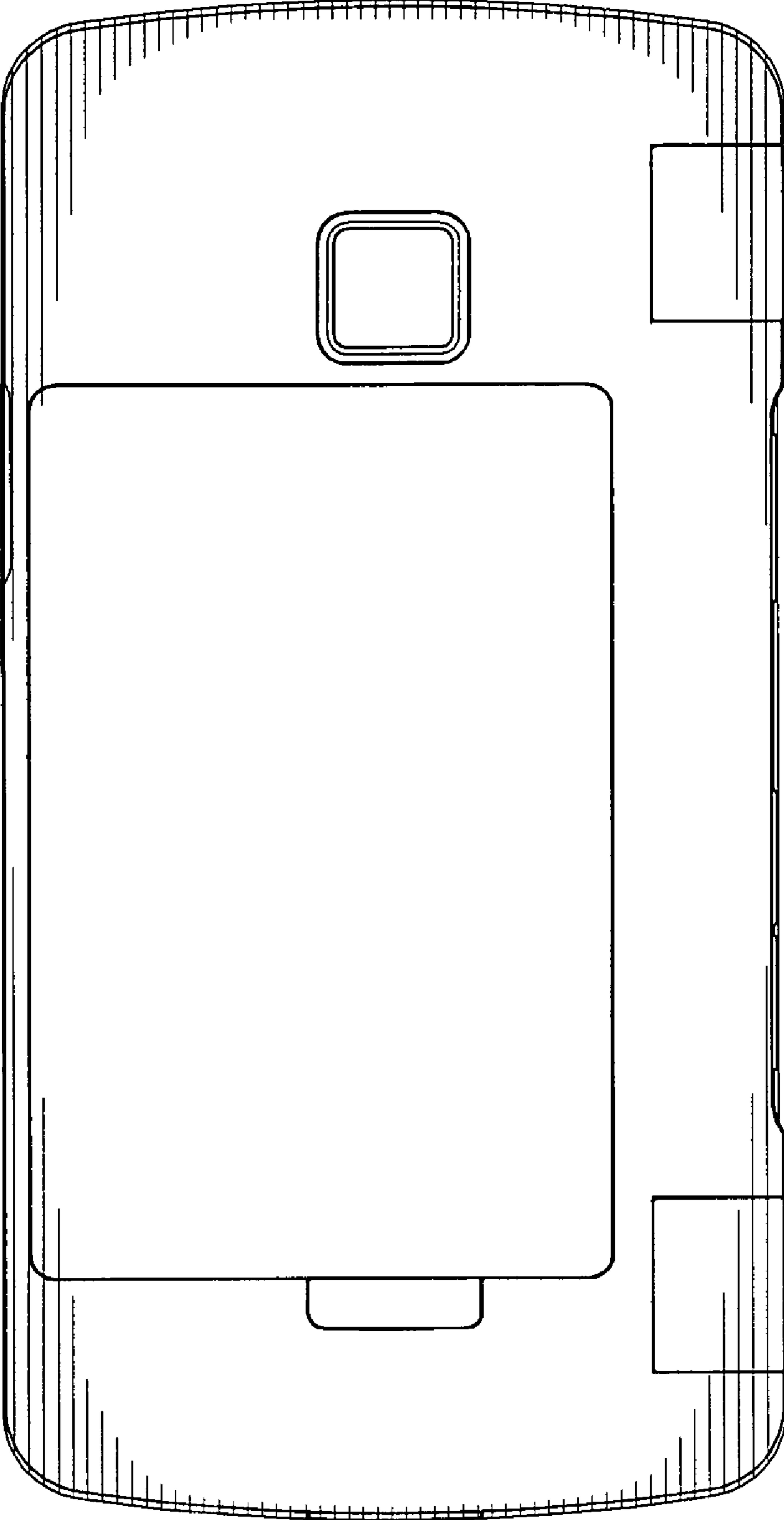


Fig. 4

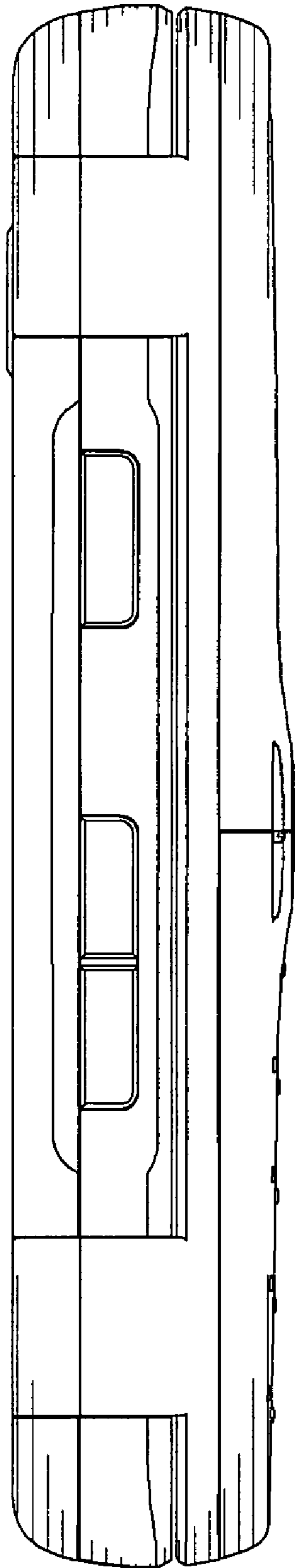


Fig. 5

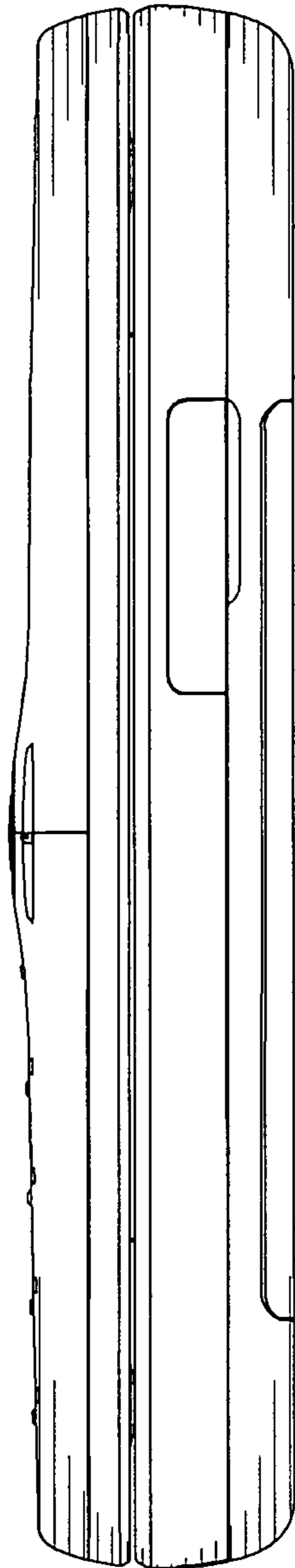


Fig. 6

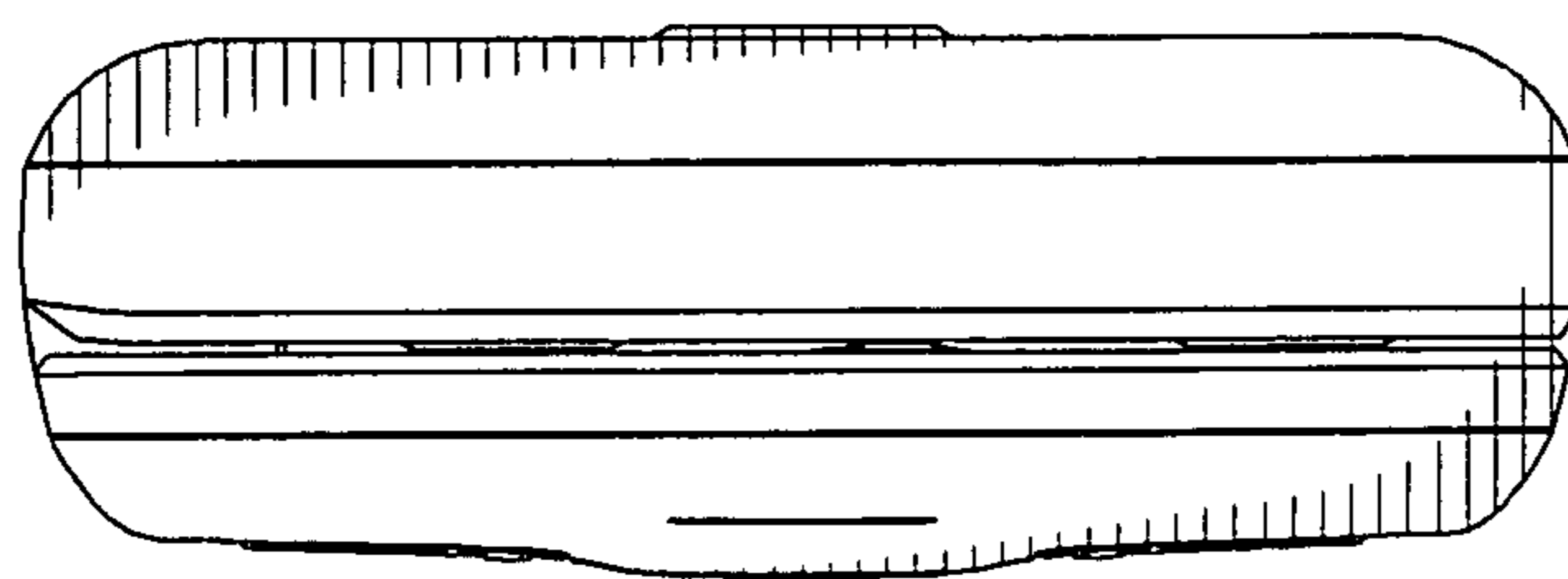


Fig. 7

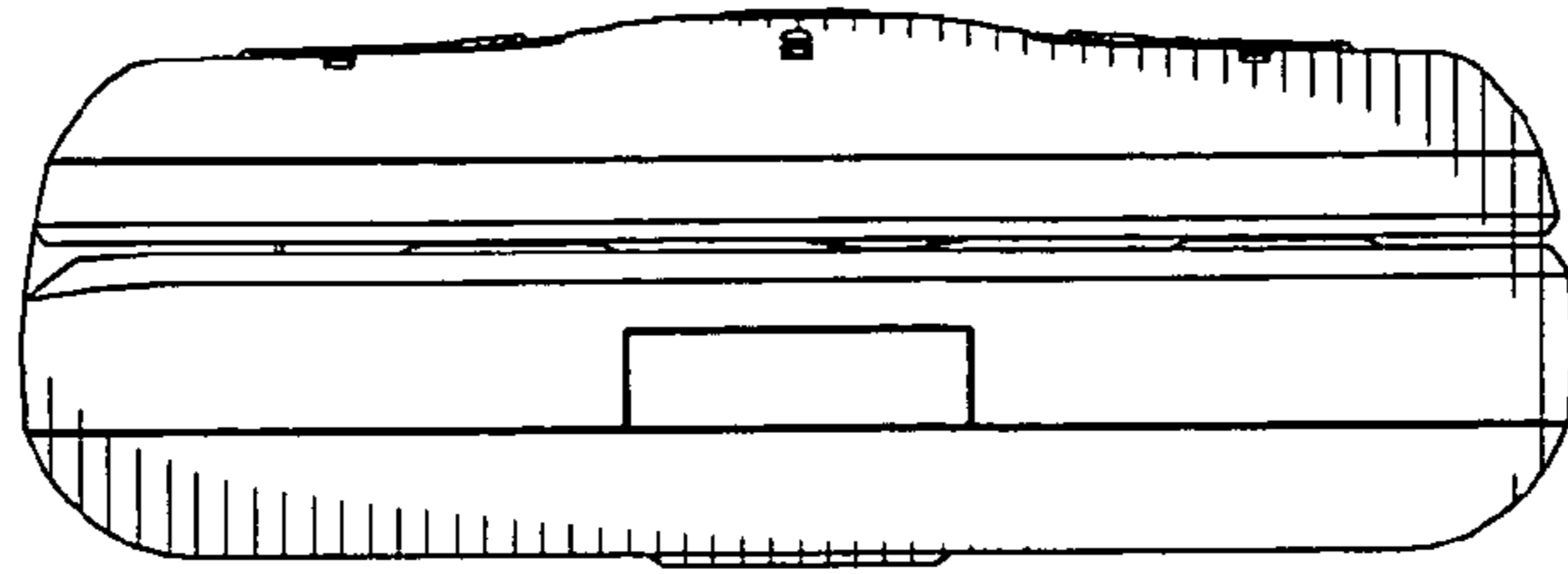


Fig. 8

