



US00D591250S

(12) **United States Design Patent**
Yoshimura

(10) **Patent No.:** **US D591,250 S**
(45) **Date of Patent:** **** Apr. 28, 2009**

(54) **TELEVISION RECEIVER**

(75) Inventor: **Satoshi Yoshimura**, Kanagawa (JP)

(73) Assignee: **Victor Company of Japan, Limited**,
Kanagawa (JP)

(**) Term: **14 Years**

(21) Appl. No.: **29/312,720**

(22) Filed: **Nov. 7, 2008**

(30) **Foreign Application Priority Data**

Jul. 25, 2008 (JP) 2008-019097

(51) **LOC (9) Cl.** **14-03**

(52) **U.S. Cl.** **D14/126**

(58) **Field of Classification Search** D14/125-134,
D14/239, 371, 136, 374-377, 440, 450, 448,
D14/336, 342; 312/7.2; 348/836, 838, 180,
348/184, 325, 739; 341/12; 248/917-924,
248/465; 345/104, 133, 156, 168, 87, 173;
720/605, 669, 600, 655; 369/99, 197; 455/344,
455/347; D21/329, 515, 577, 622, 333, 433,
D21/448, 452, 450, 331; D6/477, 479; 273/148 B;
446/484, 175, 356; D10/15, 26
See application file for complete search history.

(56) **References Cited**

U.S. PATENT DOCUMENTS

D523,827 S * 6/2006 Lin et al. D14/126

D541,237 S * 4/2007 Kita D14/134
D546,301 S * 7/2007 Kita D14/126
D557,227 S * 12/2007 Isshiki D14/126
D562,788 S * 2/2008 Asanuma et al. D14/126
D567,200 S * 4/2008 Rieu Piquet D14/126

* cited by examiner

Primary Examiner—Raphael Barkai

(74) *Attorney, Agent, or Firm*—Osha • Liang LLP

(57) **CLAIM**

The ornamental design for a television receiver, as shown and described.

DESCRIPTION

FIG. 1 is a perspective view of the front, right and top of a television receiver showing my new design;

FIG. 2 is a front view thereof;

FIG. 3 is a rear view thereof;

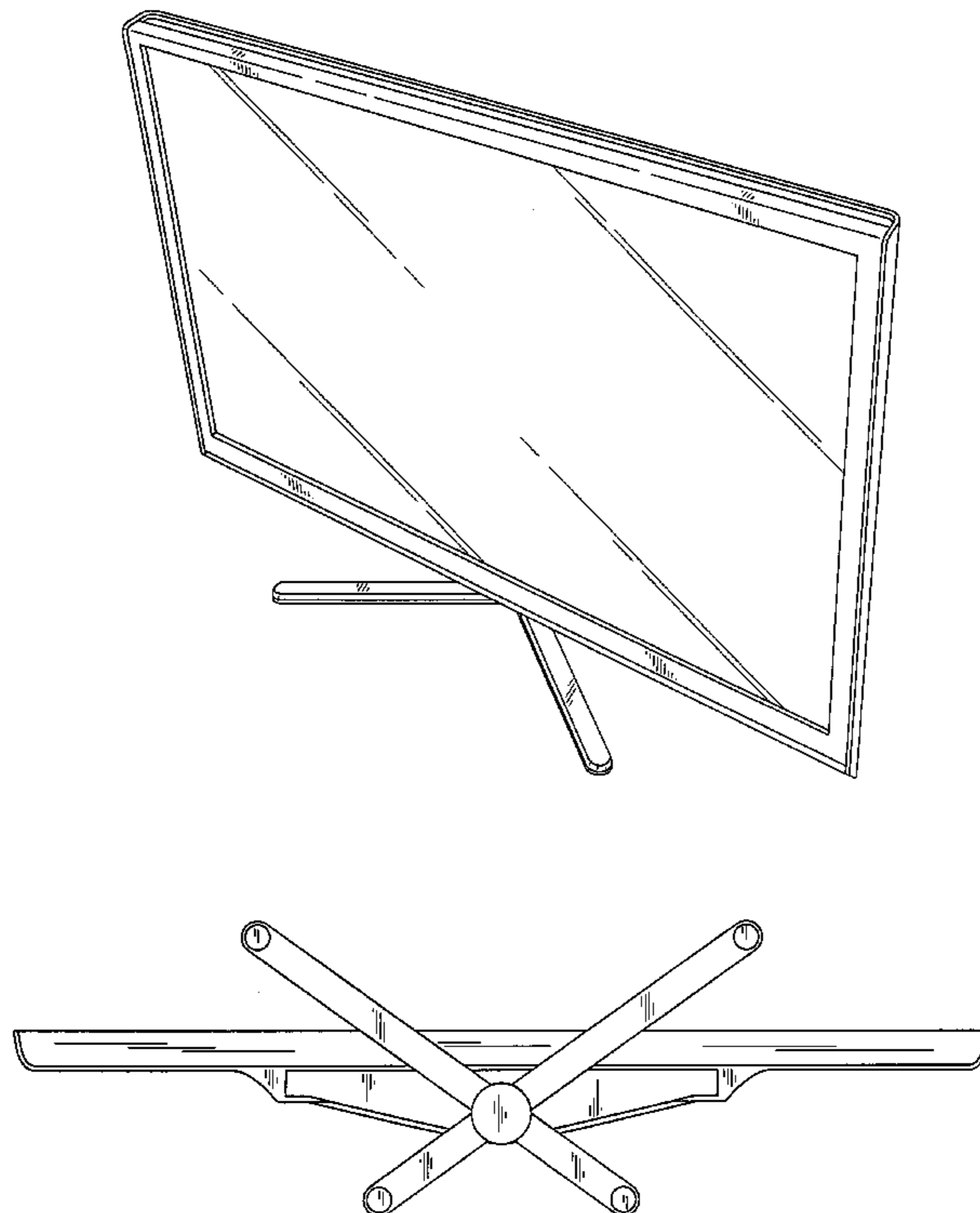
FIG. 4 is a top plan view thereof;

FIG. 5 is a bottom view thereof; and,

FIG. 6 is a right side view, left side being a mirror image thereof.

The elements shown in broken lines are for illustrative purposes only and form no part of the claimed design.

1 Claim, 5 Drawing Sheets



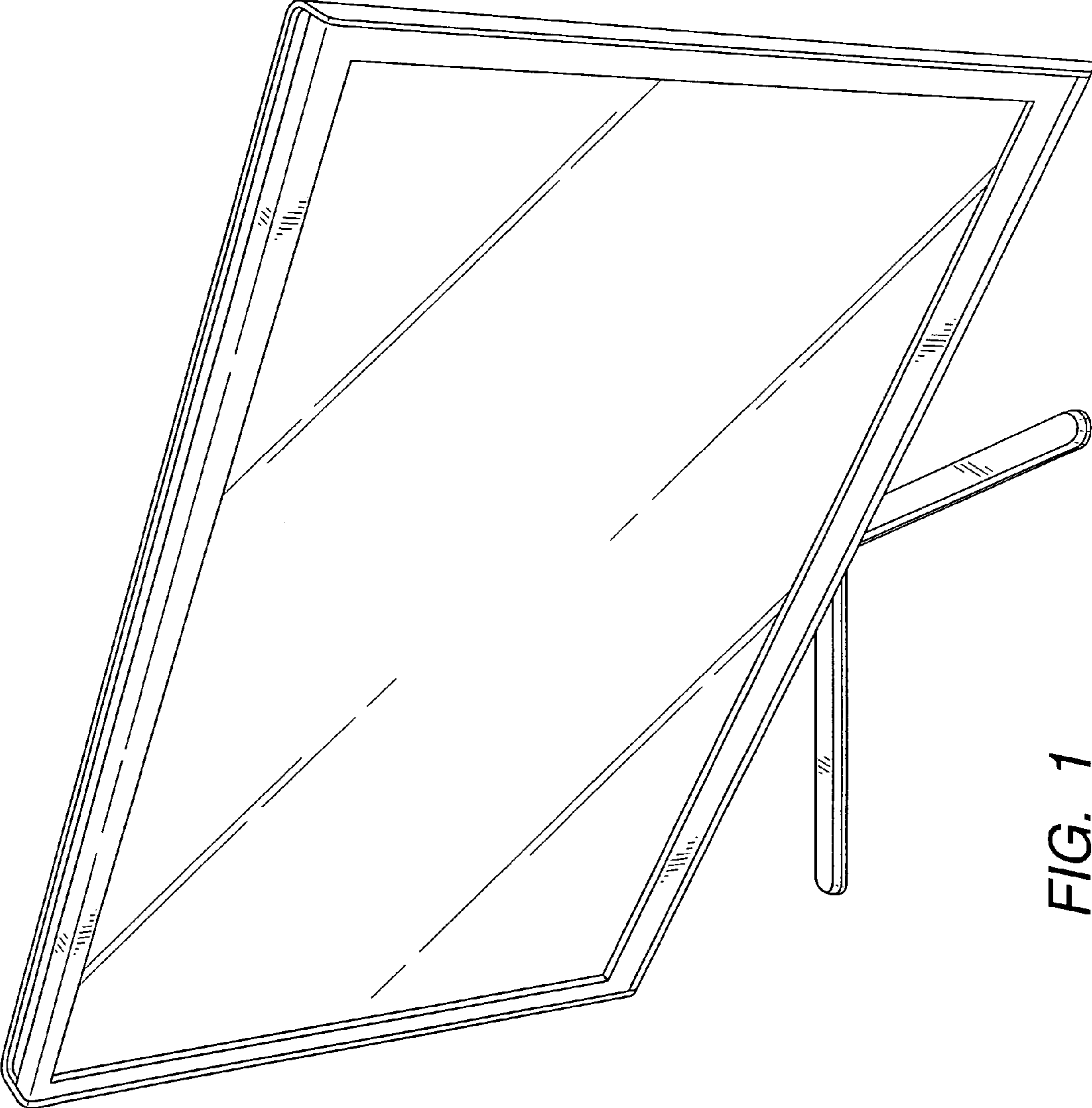


FIG. 1

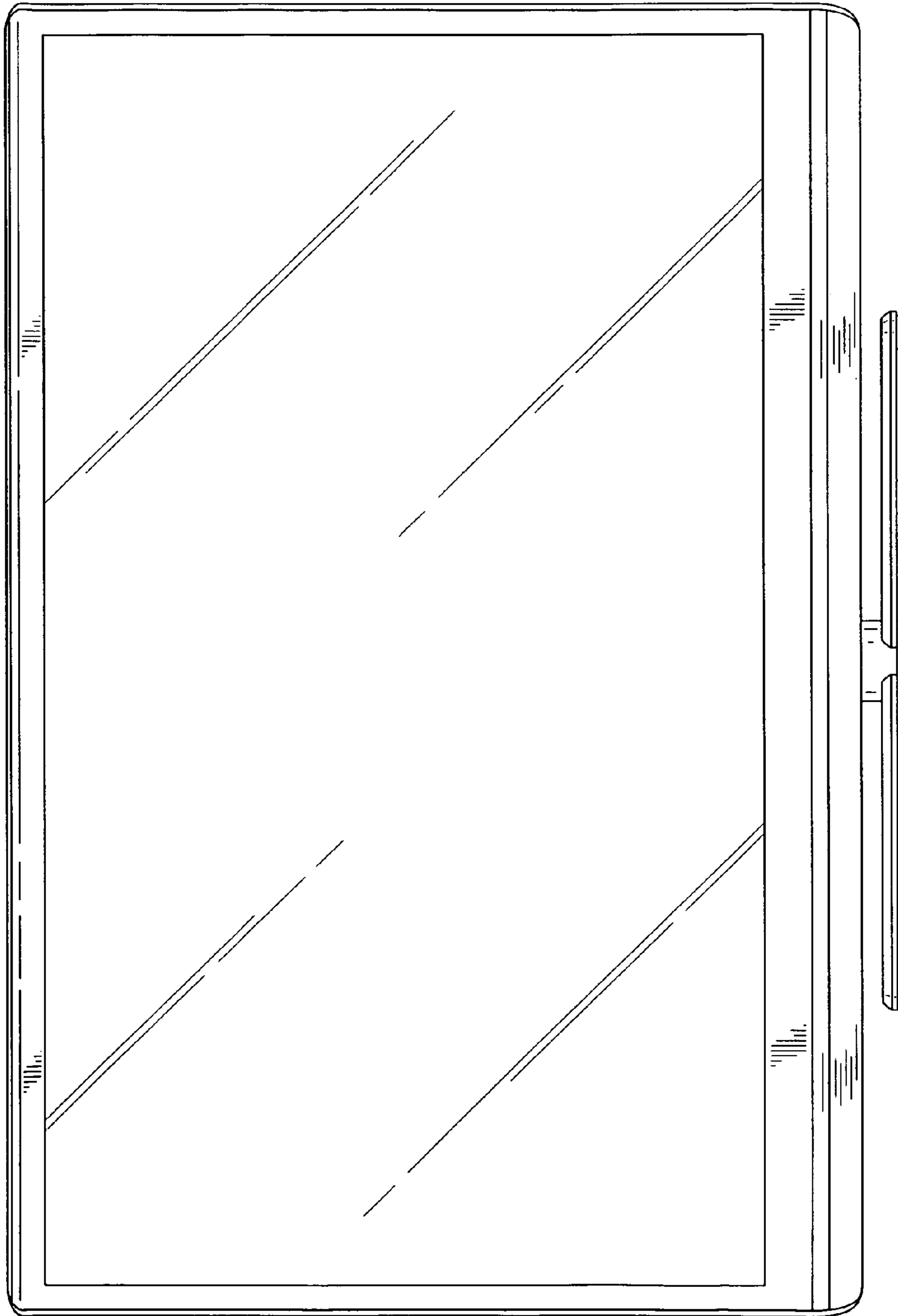


FIG. 2

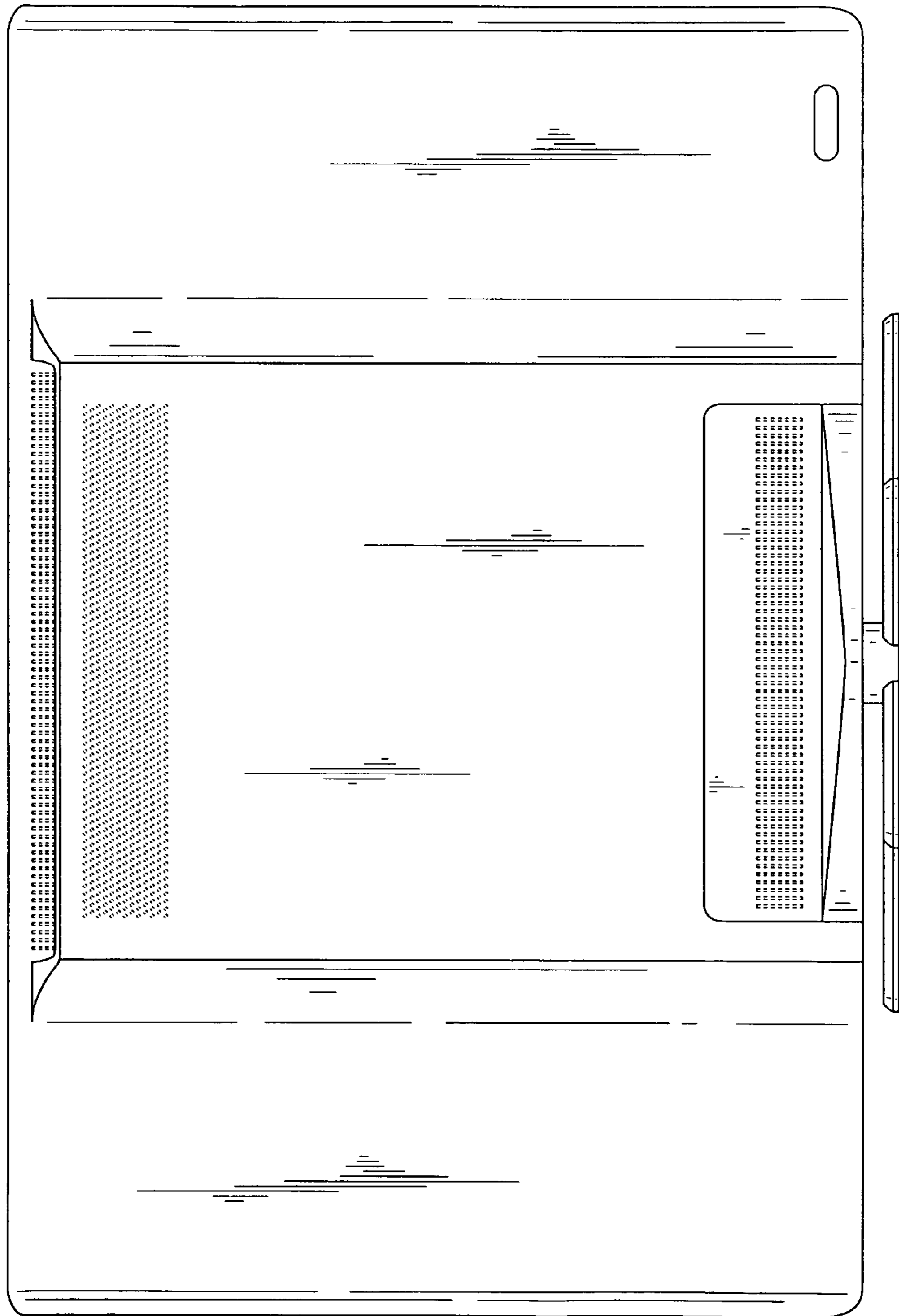


FIG. 3

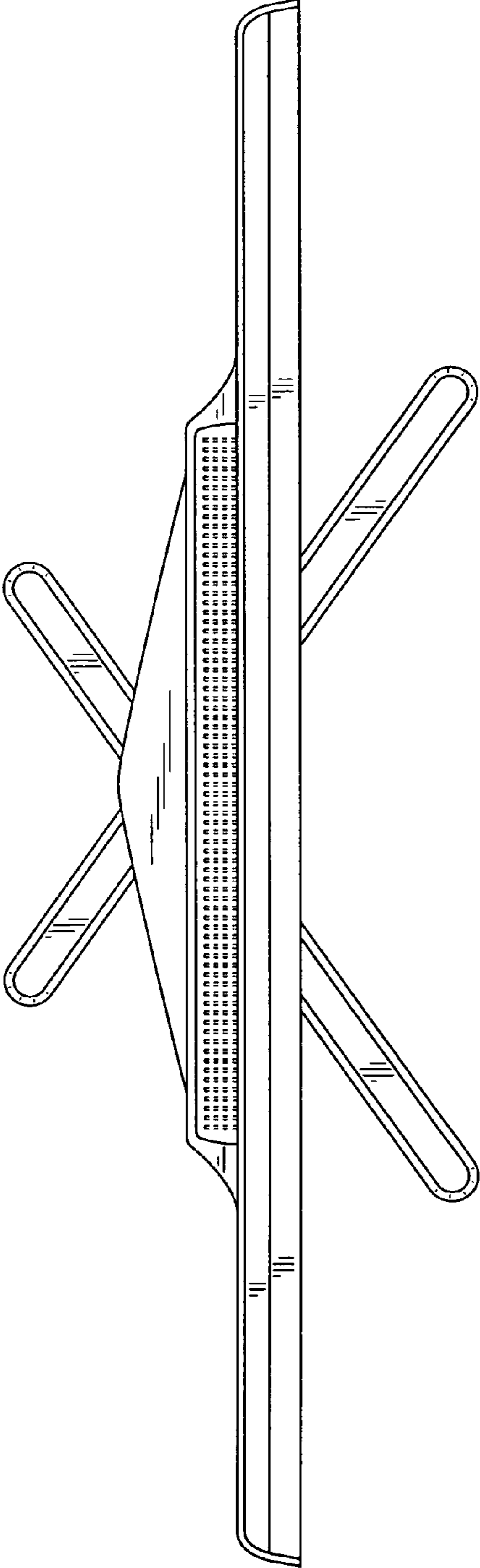


FIG. 4

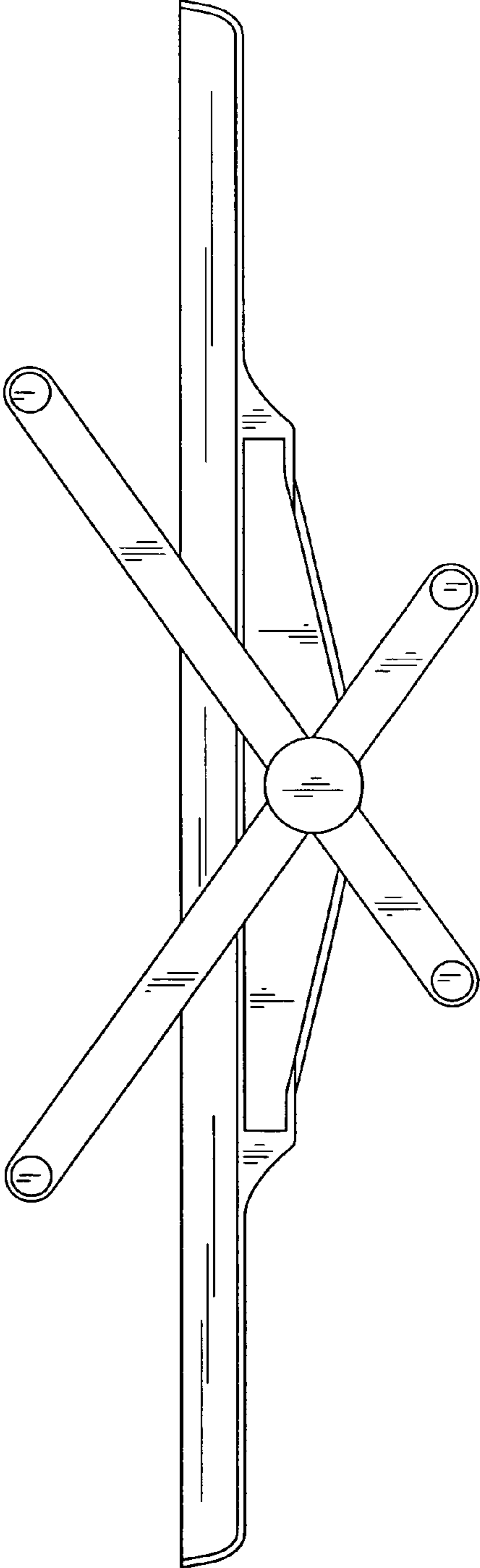


FIG. 5

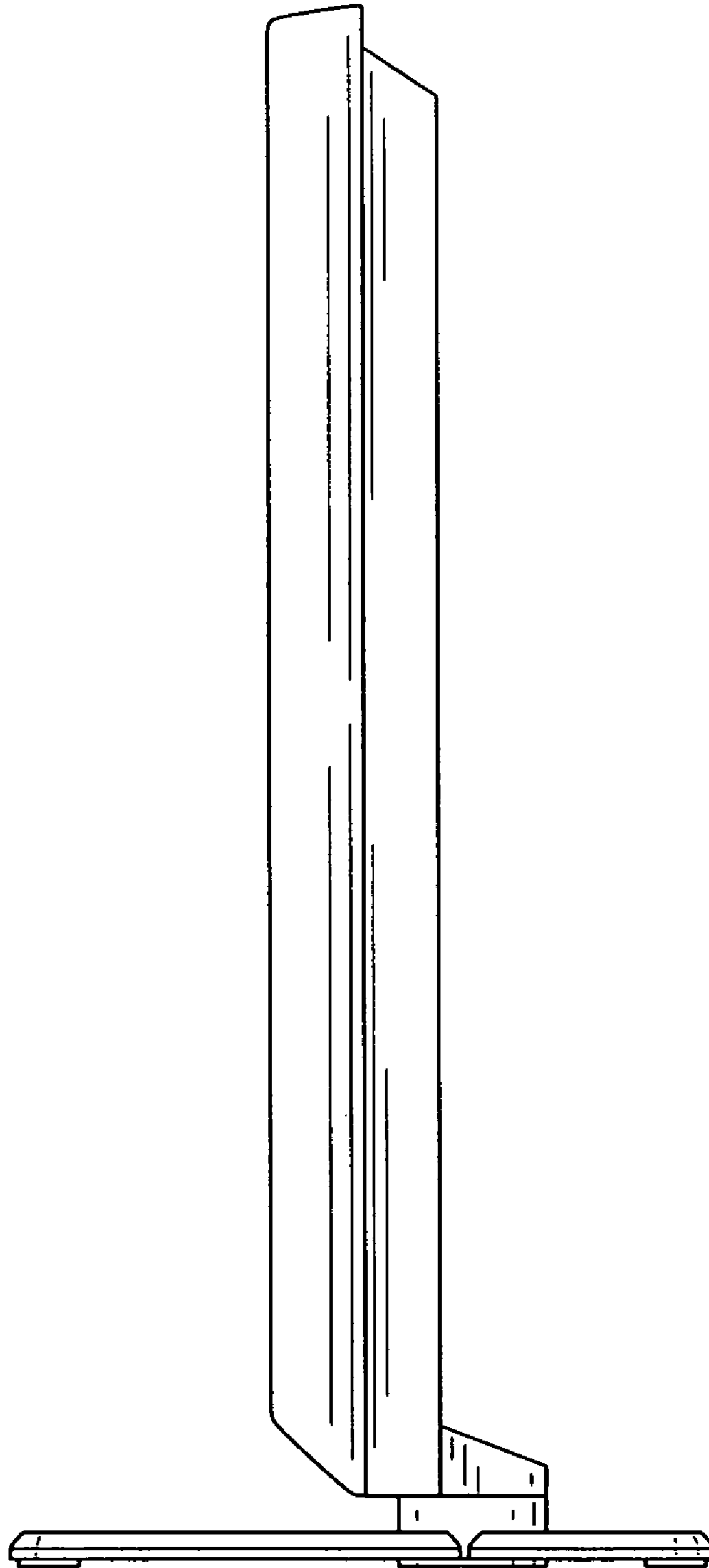


FIG. 6