

US00D591245S

(12) **United States Design Patent**  
**Iijima**

(10) **Patent No.:** **US D591,245 S**

(45) **Date of Patent:** **\*\* Apr. 28, 2009**

(54) **LOCKING COVER FOR ELECTRICAL CABLE CONNECTOR**

D408,365 S \* 4/1999 Sanders ..... D13/153  
D479,201 S \* 9/2003 Limber et al. .... D13/156  
D499,330 S \* 12/2004 Peato ..... D13/156  
D576,110 S \* 9/2008 Phelps ..... D13/156

(75) Inventor: **Satoshi Iijima**, Tokyo (JP)

\* cited by examiner

(73) Assignee: **Honda Tsushin Kogyo Co., Ltd.**, Tokyo (JP)

*Primary Examiner*—Brian N Vinson

(\*\*) Term: **14 Years**

(74) *Attorney, Agent, or Firm*—Wenderoth, Lind & Ponack, L.L.P.

(21) Appl. No.: **29/309,212**

(57) **CLAIM**

(22) Filed: **Jul. 8, 2008**

The original design for a locking cover for electrical cable connector, as shown and described.

(30) **Foreign Application Priority Data**

Feb. 7, 2008 (JP) ..... D2008-002635

**DESCRIPTION**

(51) **LOC (9) Cl.** ..... **13-03**

FIG. 1 is a top, front and right side perspective view of a locking cover for electrical cable connector showing my new design;

(52) **U.S. Cl.** ..... **D13/156**

FIG. 2 is a front elevational view thereof;

(58) **Field of Classification Search** ..... D13/152,  
D13/154, 156, 177; 174/50; 439/367-369,  
439/371

FIG. 3 is a rear elevational view thereof;

See application file for complete search history.

FIG. 4 is a top plan view thereof;

FIG. 5 is a bottom plan view thereof;

(56) **References Cited**

**U.S. PATENT DOCUMENTS**

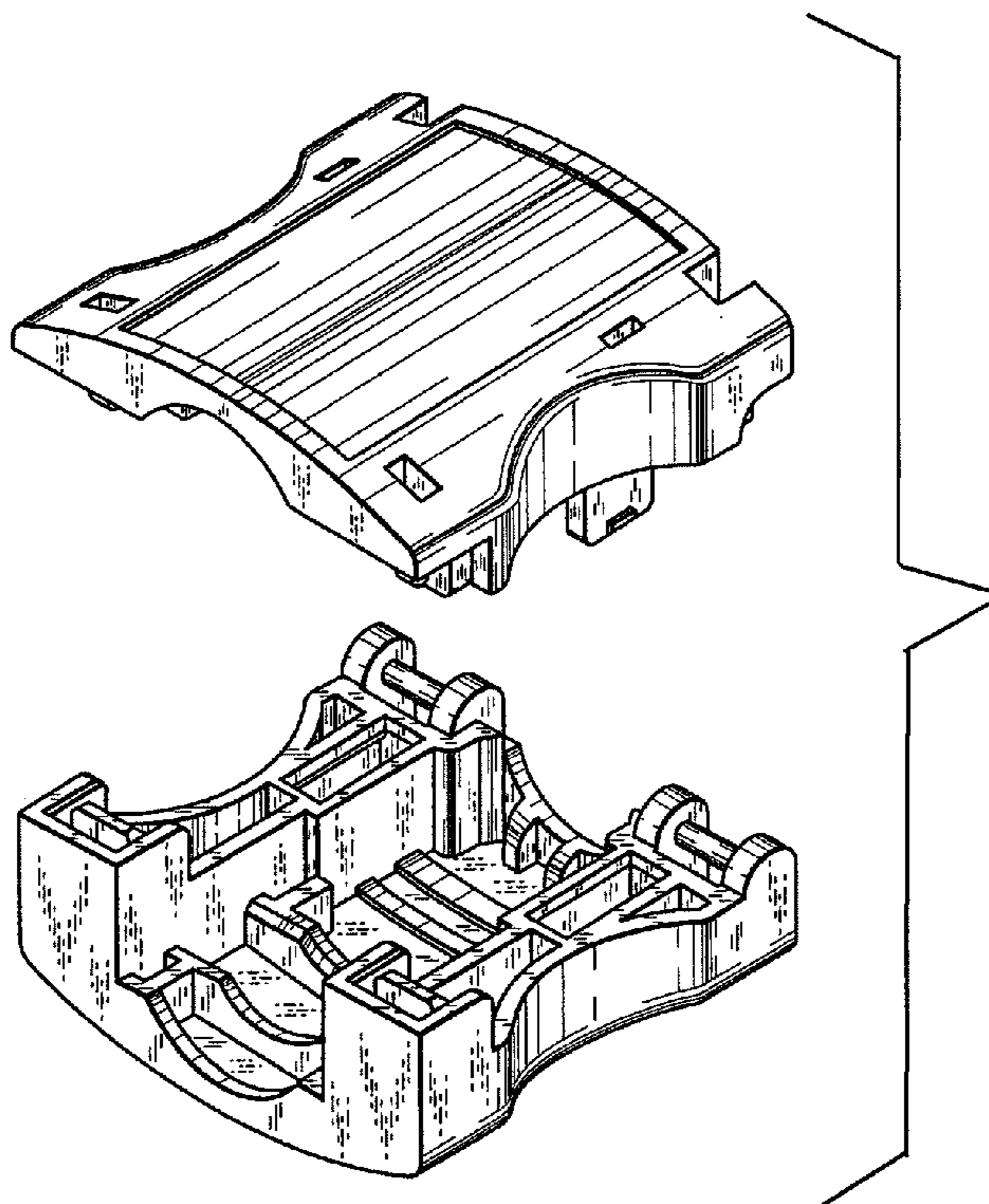
D314,186 S \* 1/1991 Fujioka ..... D13/156

D386,149 S \* 11/1997 Malone et al. .... D13/156

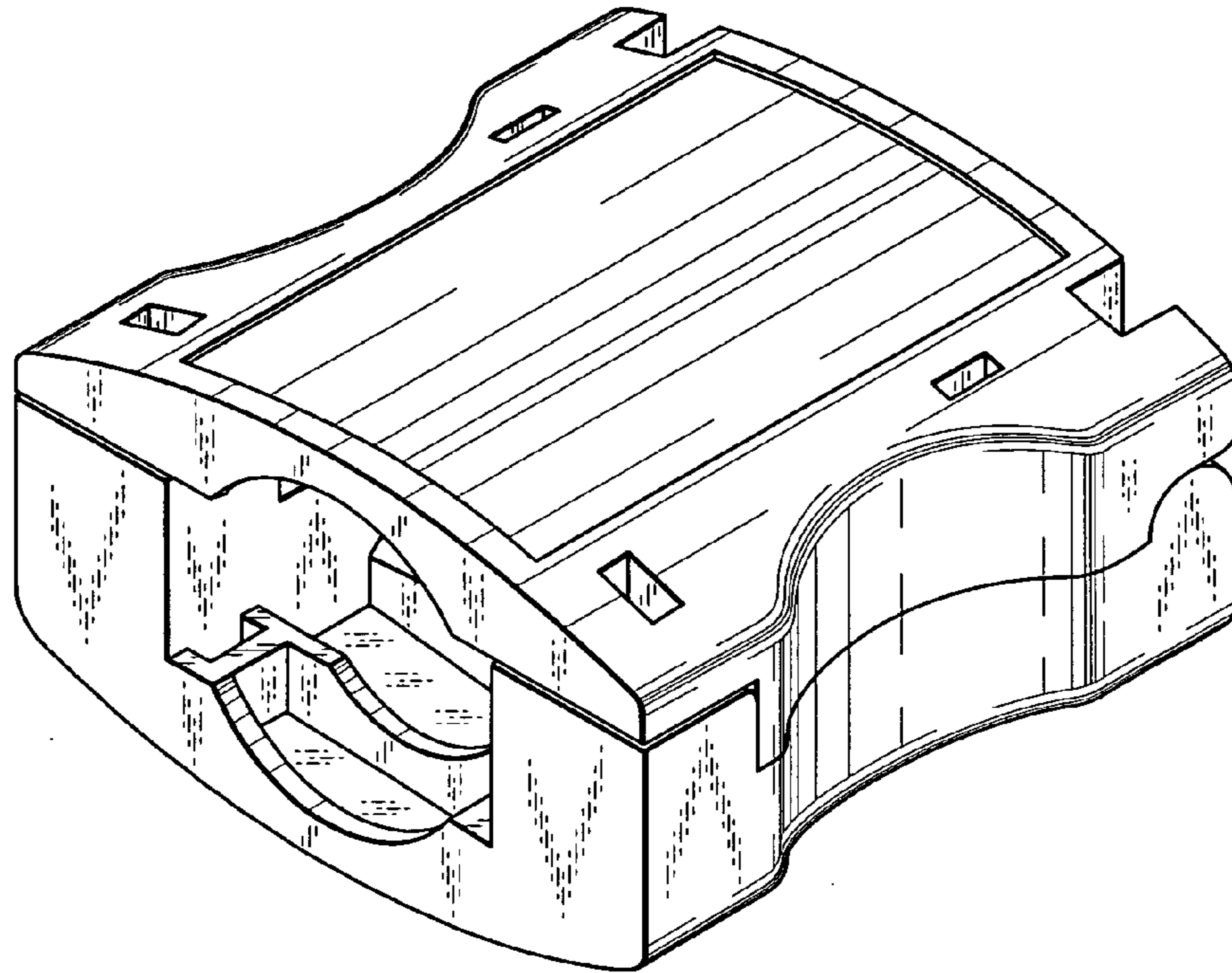
FIG. 6 is a right side elevational view thereof; and,

FIG. 7 is an exploded perspective view thereof.

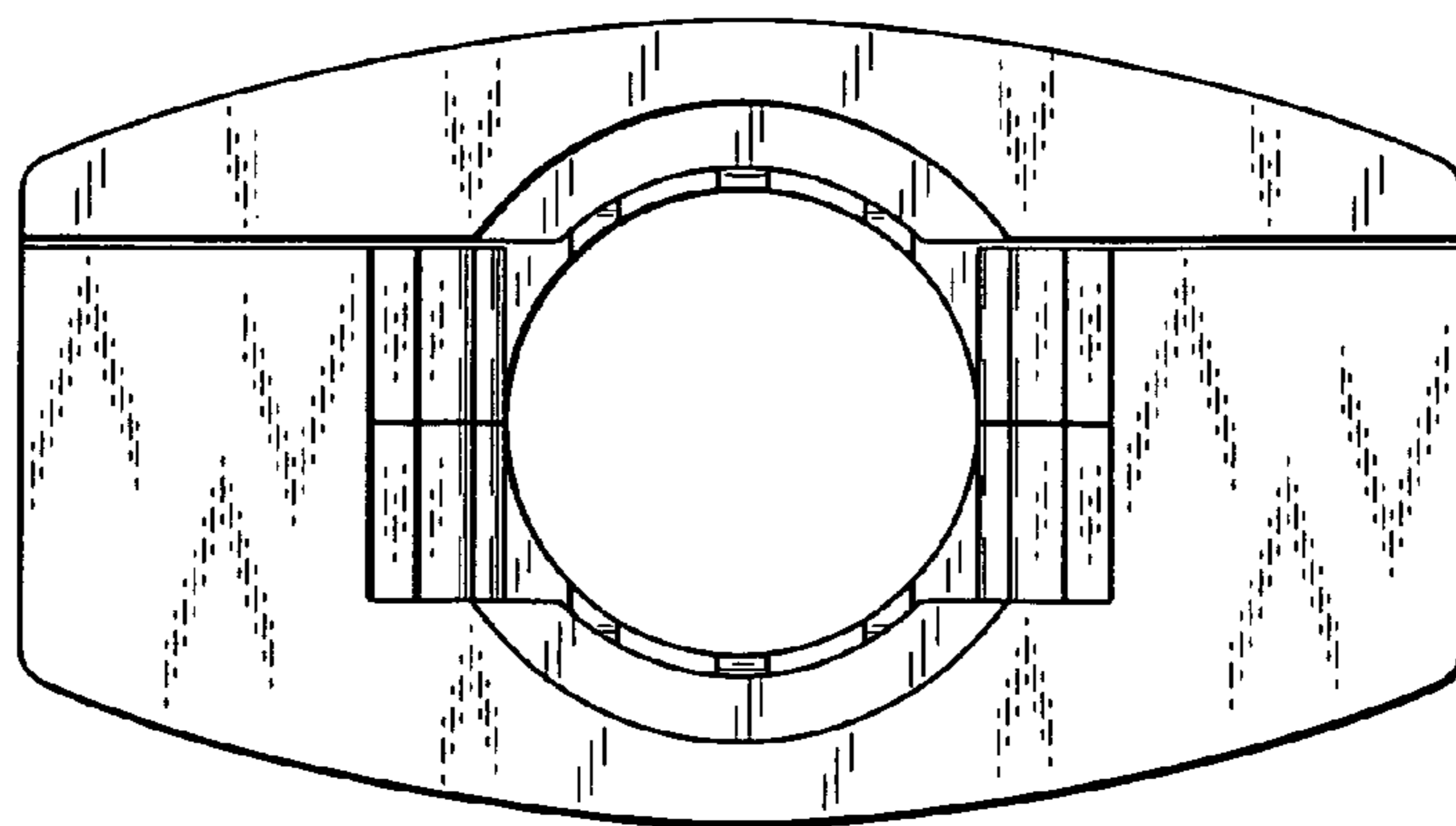
**1 Claim, 4 Drawing Sheets**



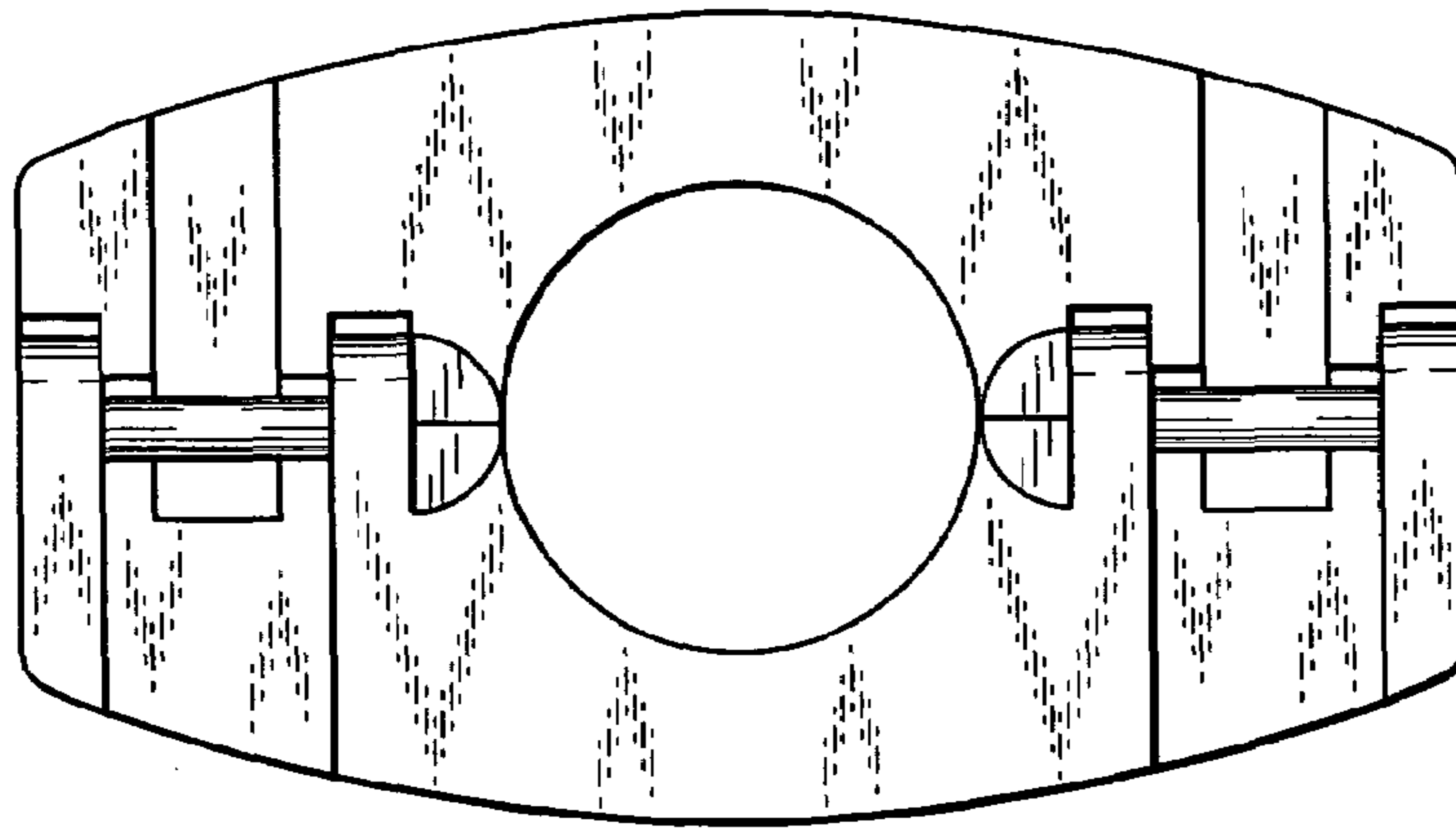
*Fig. 1*



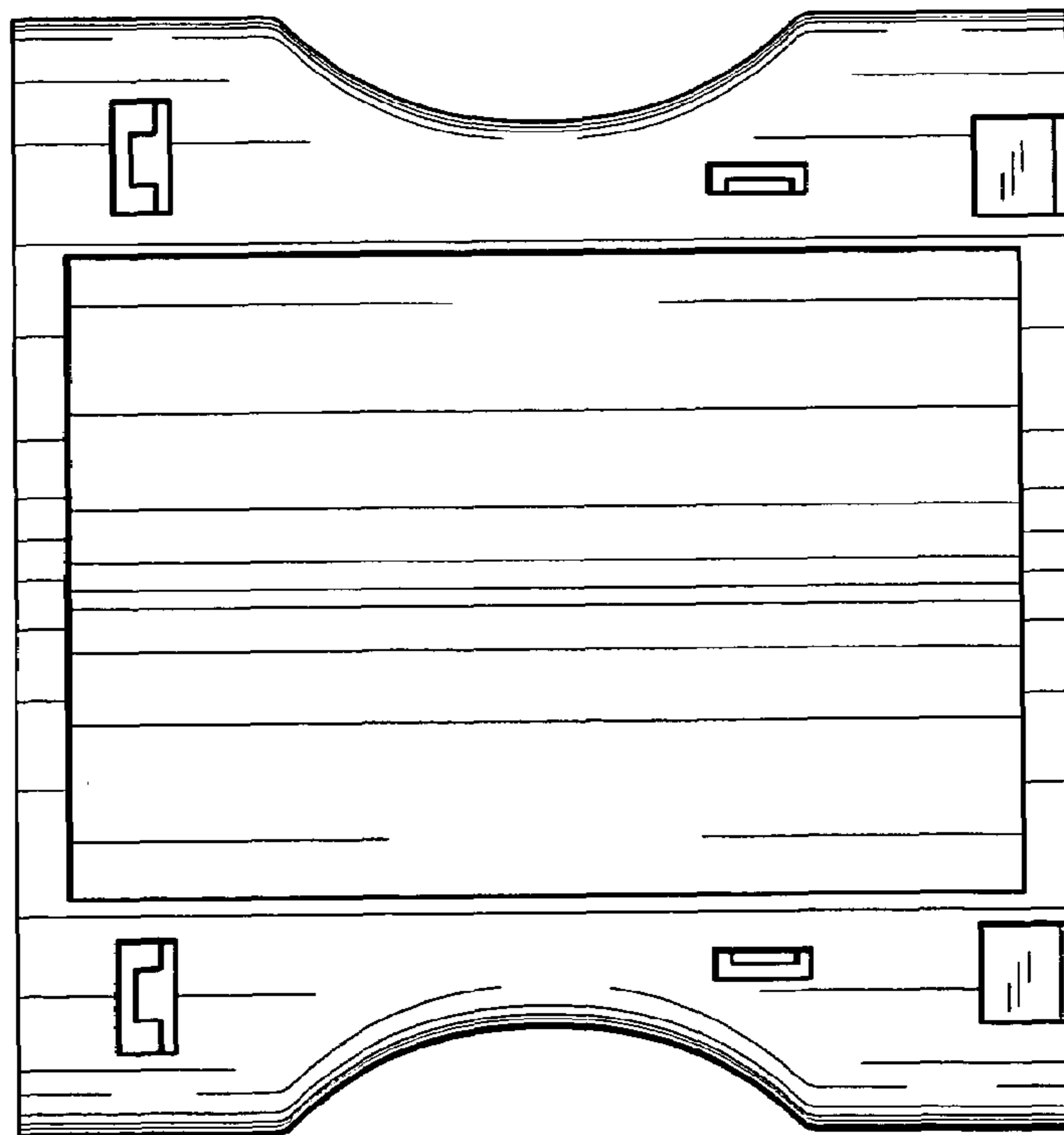
*Fig. 2*



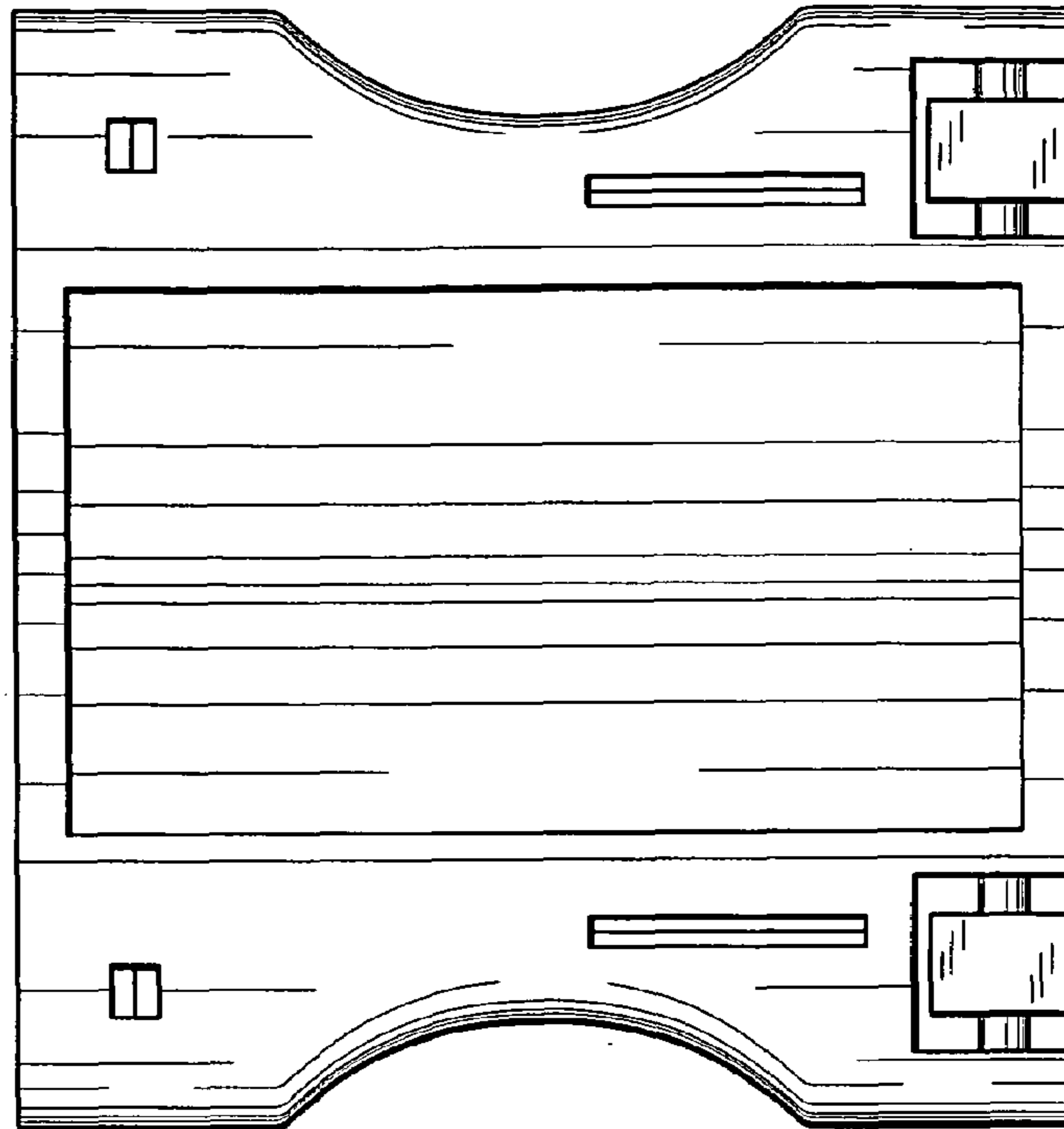
*Fig. 3*



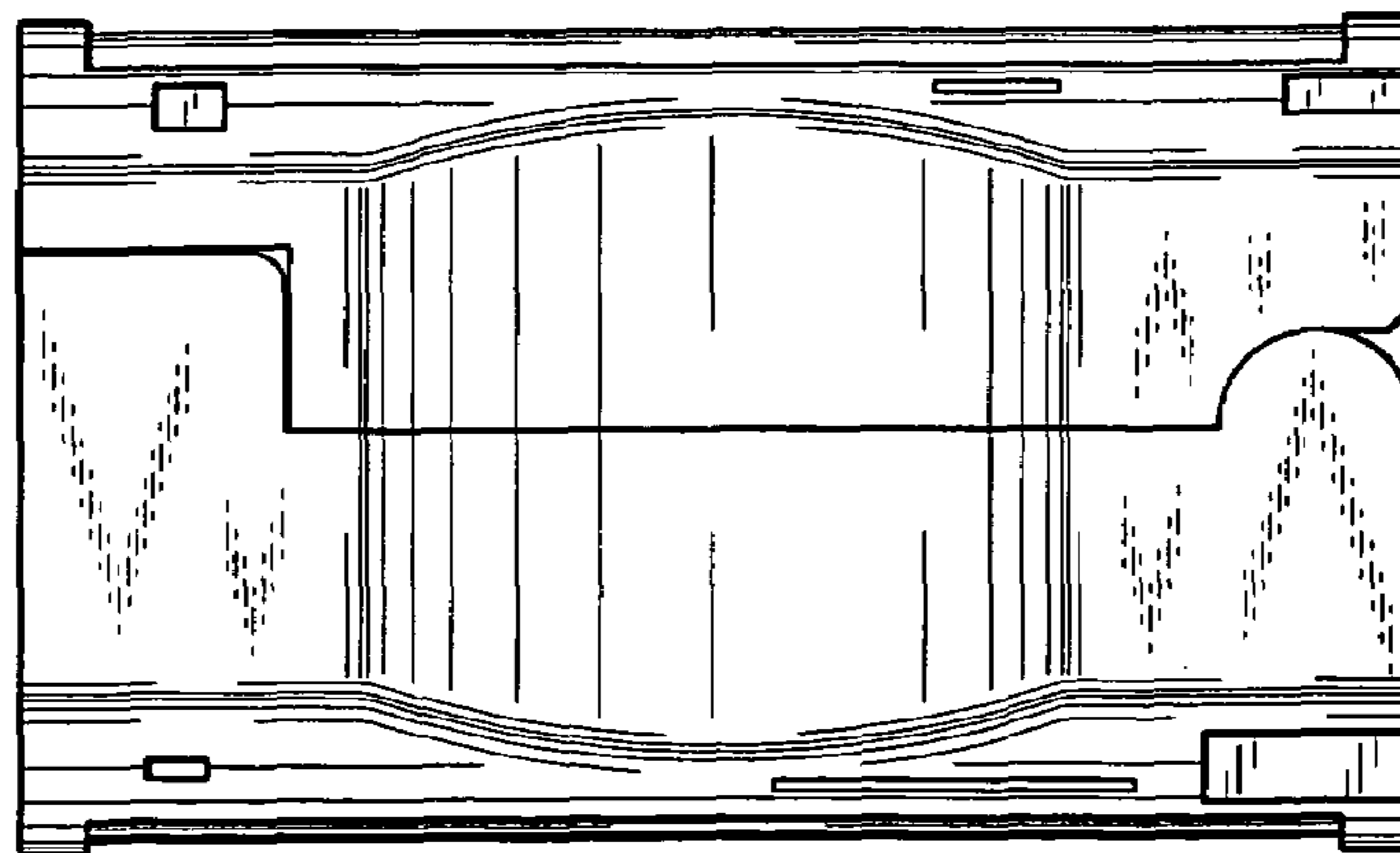
*Fig. 4*



*Fig. 5*



*Fig. 6*



*Fig. 7*

