



US00D591242S

(12) **United States Design Patent**  
**Zhang et al.**

(10) **Patent No.:** **US D591,242 S**  
(45) **Date of Patent:** **\*\* Apr. 28, 2009**

(54) **ELECTRICAL CONNECTOR**

(75) Inventors: **Ming Zhang**, Kunshan (CN);  
**Hong-Liang Wang**, Kunshan (CN);  
**Hong-Fang Wang**, Kunshan (CN)

(73) Assignee: **Hon Hai Precision Ind. Co., Ltd.**,  
Taipei Hsien (TW)

(\*\*) Term: **14 Years**

(21) Appl. No.: **29/307,778**

(22) Filed: **May 12, 2008**

(30) **Foreign Application Priority Data**

Nov. 12, 2007 (CN) ..... 2007 3 0195824

(51) **LOC (9) Cl.** ..... **13-03**

(52) **U.S. Cl.** ..... **D13/147**

(58) **Field of Classification Search** ..... D13/146-147,  
D13/154, 184; 439/79, 159-160, 260, 325,  
439/395, 607-610, 630

See application file for complete search history.

(56) **References Cited**

**U.S. PATENT DOCUMENTS**

D456,779 S \* 5/2002 Igarashi ..... D13/147  
D456,780 S \* 5/2002 Igarashi ..... D13/147  
D480,052 S \* 9/2003 Hisamatsu et al. .... D13/147

D486,451 S \* 2/2004 Moritake ..... D13/147  
D497,345 S \* 10/2004 Kimura et al. .... D13/147  
D497,594 S \* 10/2004 Hisamatsu et al. .... D13/147  
D506,729 S \* 6/2005 Kimura et al. .... D13/147  
D530,674 S \* 10/2006 Ko ..... D13/147

\* cited by examiner

*Primary Examiner*—Daniel D Bui

(74) *Attorney, Agent, or Firm*—Wei Te Chung

(57) **CLAIM**

The ornamental design for an electrical connector, as shown and described.

**DESCRIPTION**

FIG. 1 is a front side perspective view of an electrical connector showing our new design;

FIG. 2 is a front elevational view of FIG. 1;

FIG. 3 is a rear elevational view of FIG. 1;

FIG. 4 is a left side elevational view of FIG. 1;

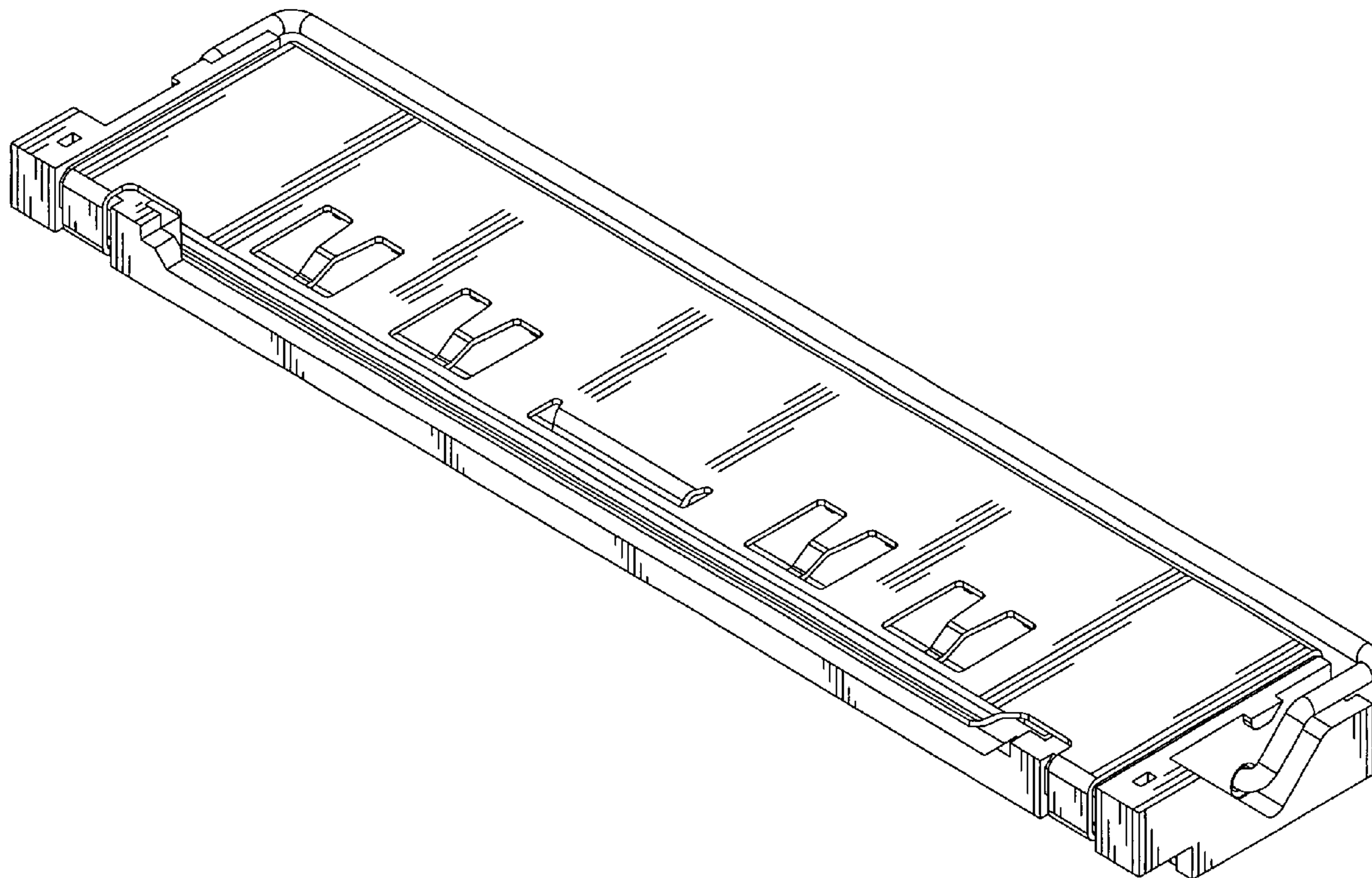
FIG. 5 is a right side elevational view of FIG. 1;

FIG. 6 is a top plan view of FIG. 1; and,

FIG. 7 is a bottom plan view of FIG. 1.

The broken line of internal elements in FIGS. 2, 3, 6 and 7 is included to show unclaimed subject matter only and forms no part of the claimed design.

**1 Claim, 6 Drawing Sheets**



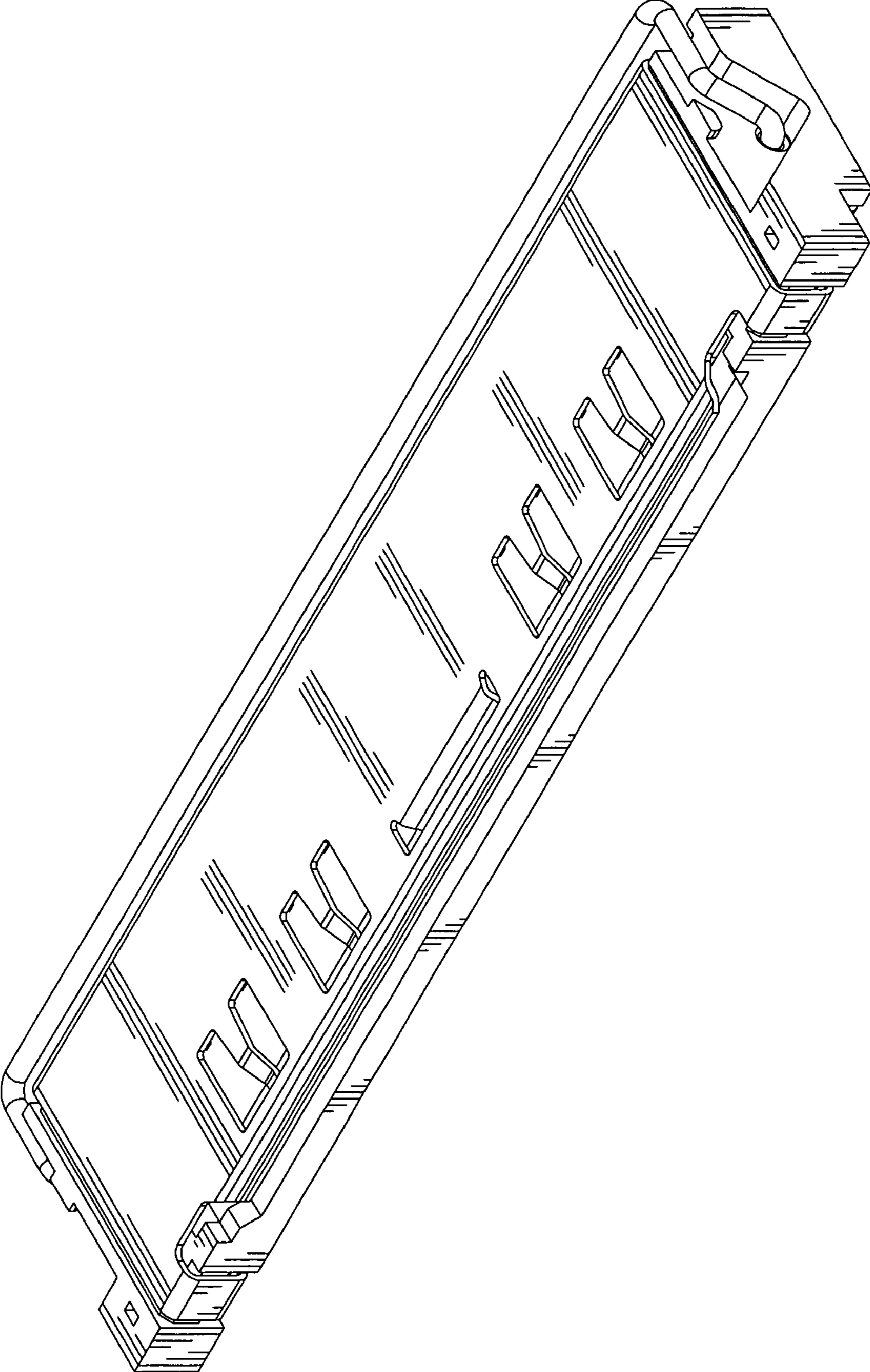


FIG. 1

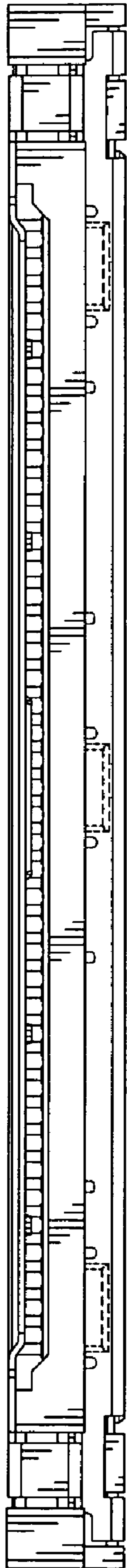


FIG. 2

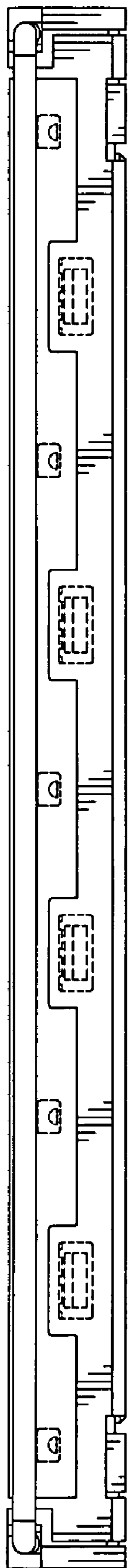


FIG. 3

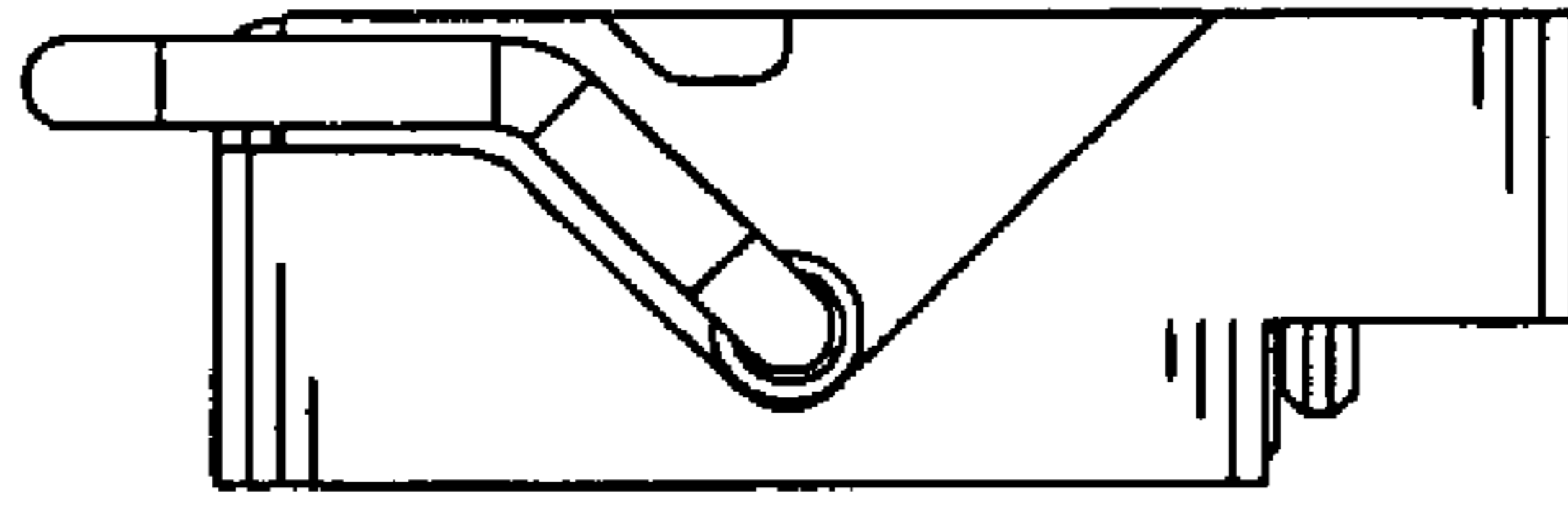


FIG. 4

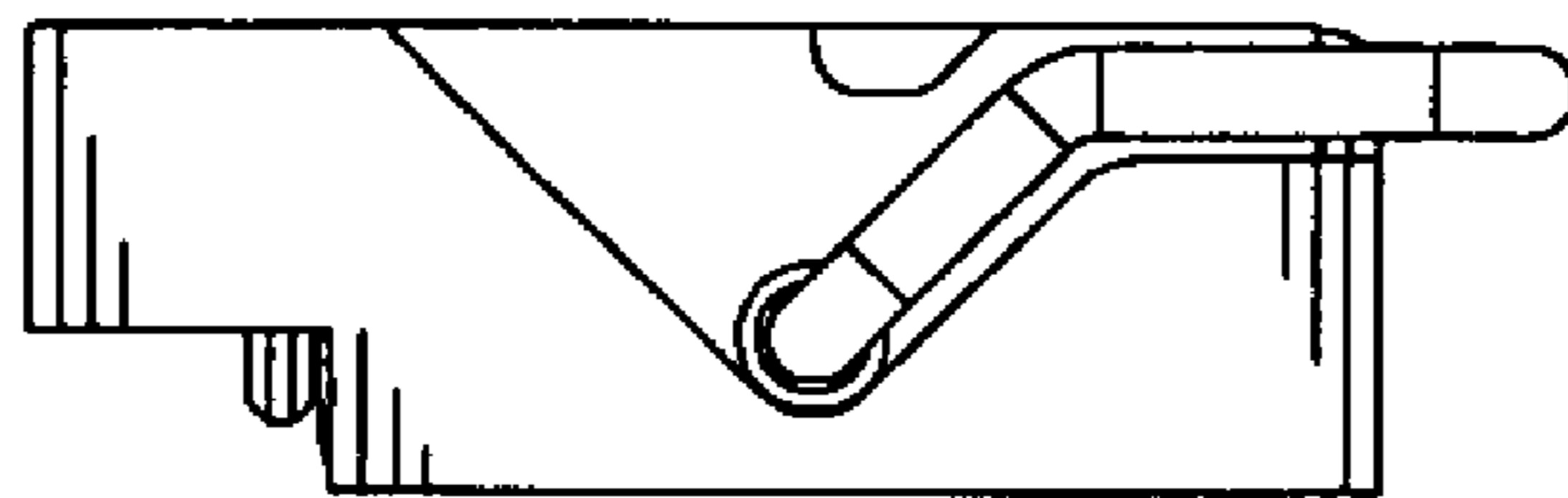


FIG. 5

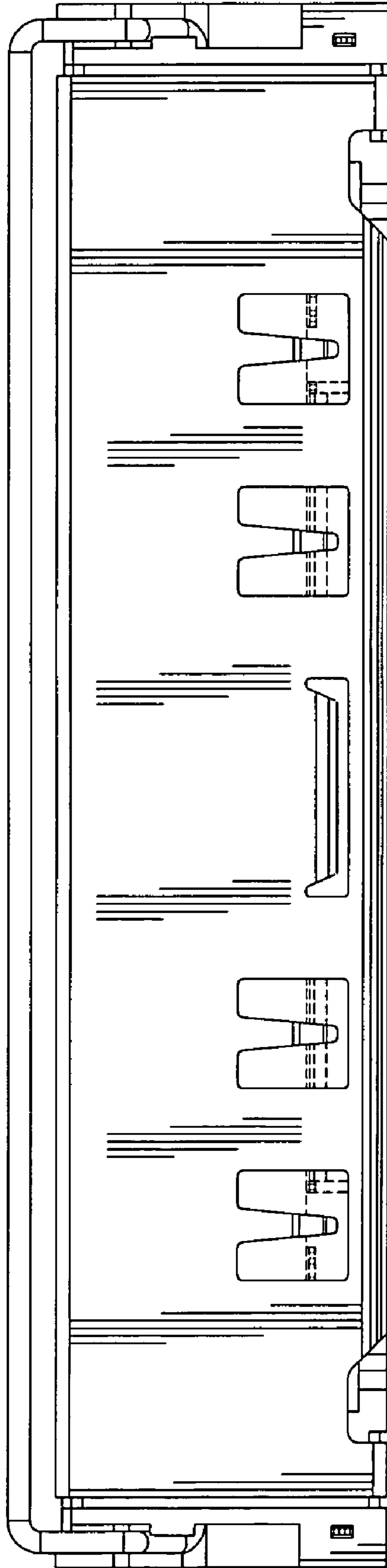


FIG. 6



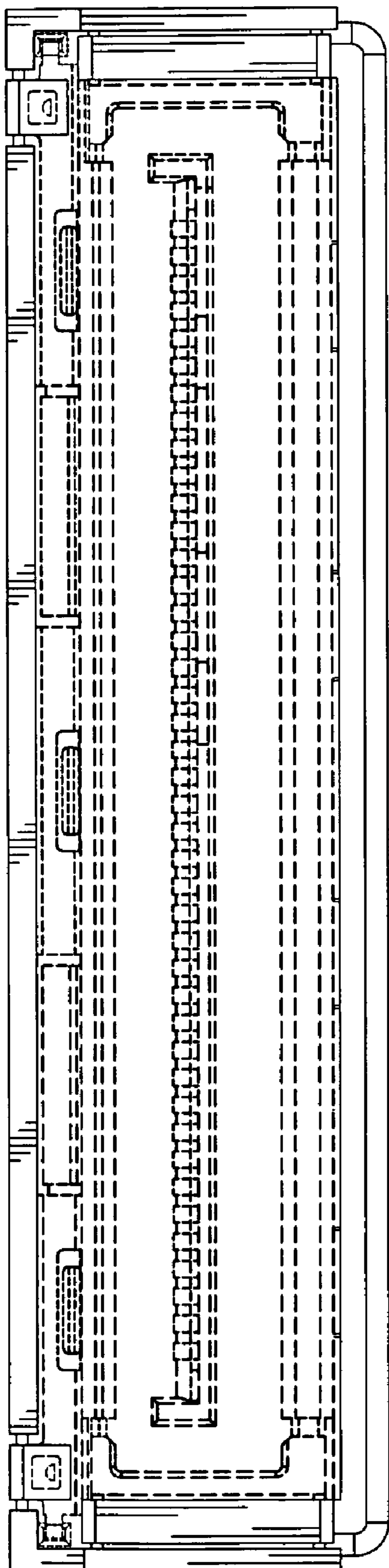


FIG. 7