



US00D591241S

(12) **United States Design Patent**
Yang

(10) **Patent No.:** **US D591,241 S**
(45) **Date of Patent:** **** Apr. 28, 2009**

(54) **ELECTRICAL CONNECTOR**

(75) Inventor: **Meng-Huan Yang**, Tu-cheng (TW)

(73) Assignee: **Hon Hai Precision Ind. Co., Ltd.**,
Taipei Hsien (TW)

(**) Term: **14 Years**

(21) Appl. No.: **29/289,505**

(22) Filed: **Jul. 23, 2007**

(30) **Foreign Application Priority Data**

Jan. 23, 2007 (CN) 2007 3 0025052

(51) **LOC (9) Cl.** **13-03**

(52) **U.S. Cl.** **D13/147**

(58) **Field of Classification Search** D13/146–147,
D13/154, 184; 439/79, 108, 260, 329, 395,
439/497, 607–610, 660, 682

See application file for complete search history.

(56) **References Cited**

U.S. PATENT DOCUMENTS

- D444,130 S * 6/2001 Hayashi et al. D13/147
- D456,779 S * 5/2002 Igarashi D13/147
- D466,080 S * 11/2002 Ko D13/147
- D497,345 S * 10/2004 Kimura et al. D13/147

- D497,594 S * 10/2004 Hisamatsu et al. D13/147
- D510,565 S * 10/2005 Huang D13/147
- D571,297 S * 6/2008 Nagata D13/147

* cited by examiner

Primary Examiner—Daniel D Bui

(74) *Attorney, Agent, or Firm*—Wei Te Chung

(57) **CLAIM**

The ornamental design for an electrical connector, as shown and described.

DESCRIPTION

FIG. 1 is a perspective view of an electrical connector showing my new design;

FIG. 2 is a front elevational view thereof;

FIG. 3 is a rear elevational view thereof;

FIG. 4 is a left side elevational view thereof;

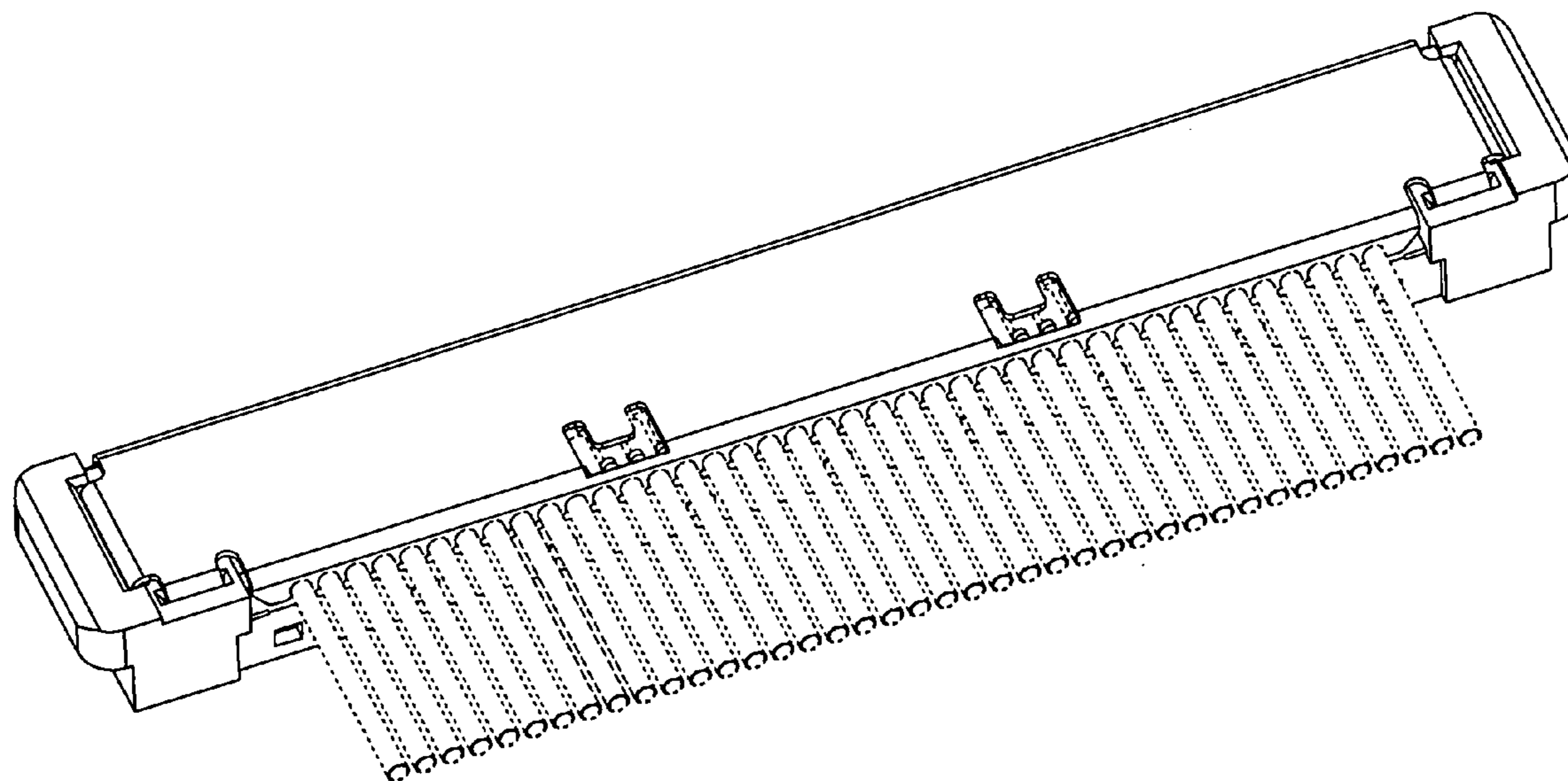
FIG. 5 is a right side elevational view thereof;

FIG. 6 is a top plan view thereof; and,

FIG. 7 is a bottom plan view thereof.

The broken line of internal elements of the electrical connector in the drawing is included to show unclaimed subject matter only and forms no part of the claimed design.

1 Claim, 7 Drawing Sheets



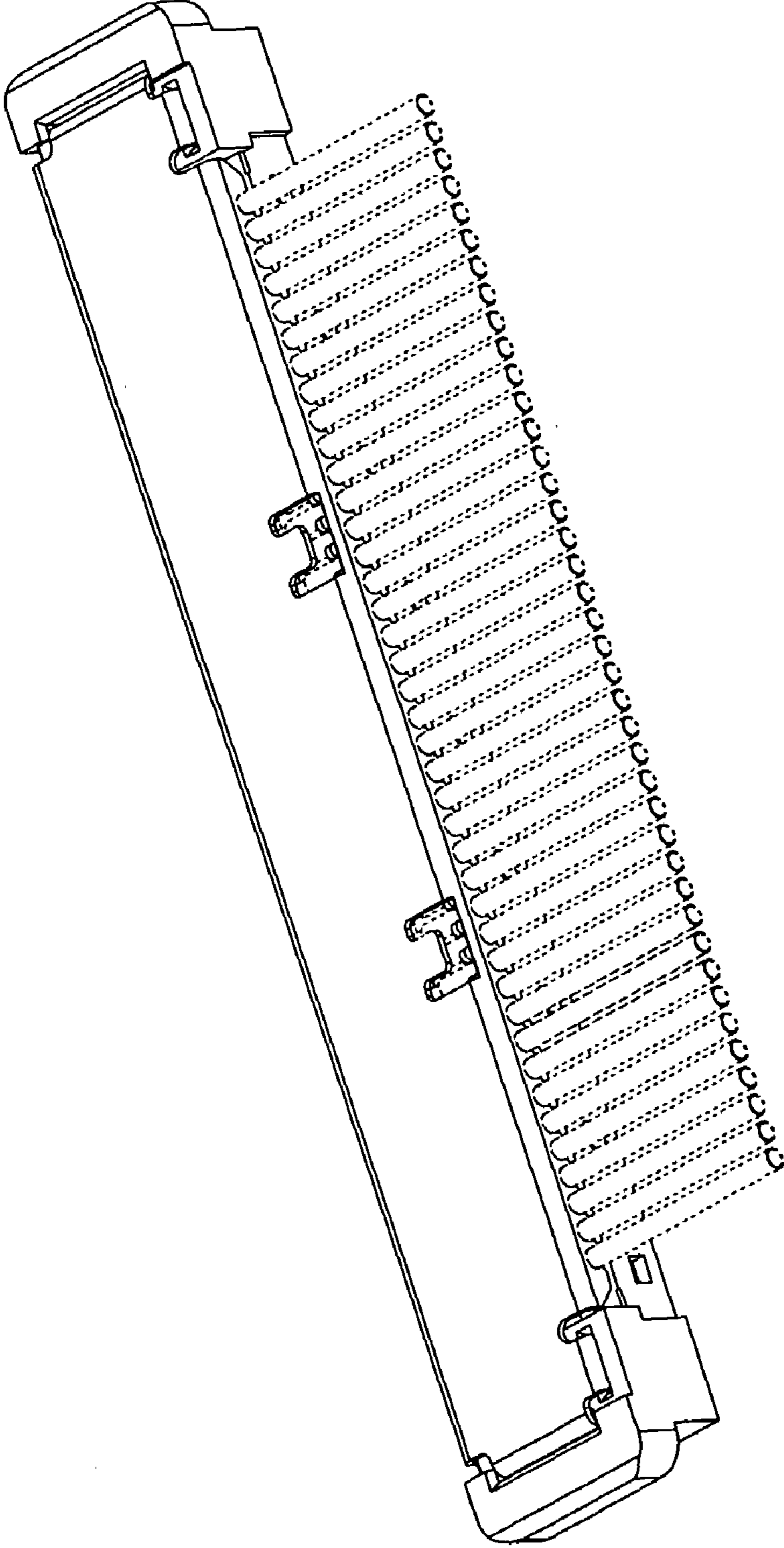


FIG. 1

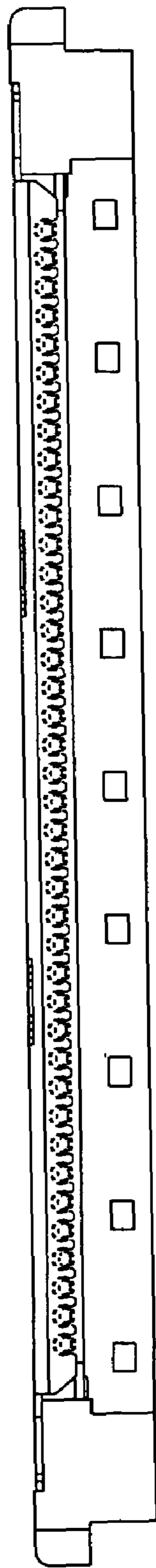


FIG. 2

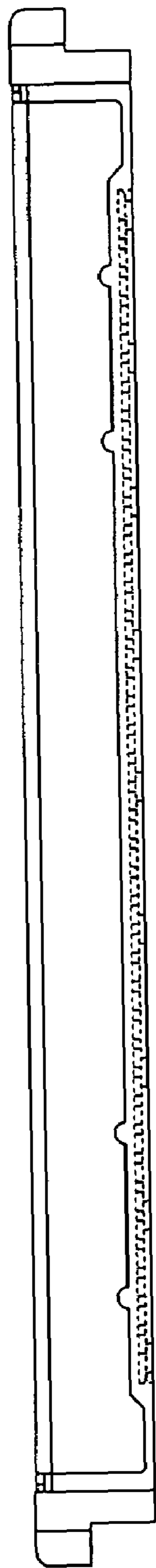


FIG. 3

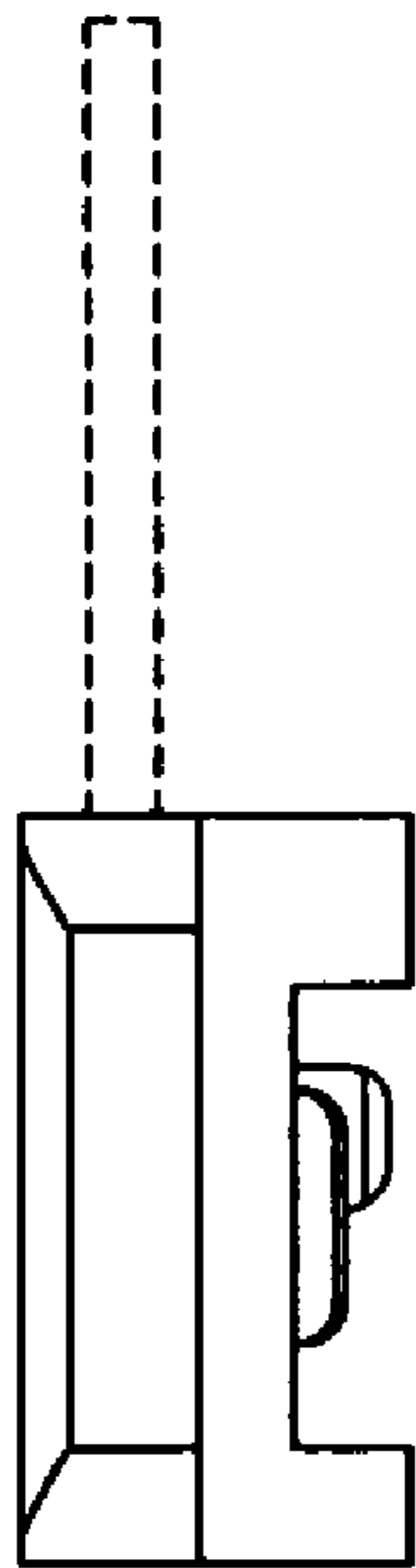


FIG. 4

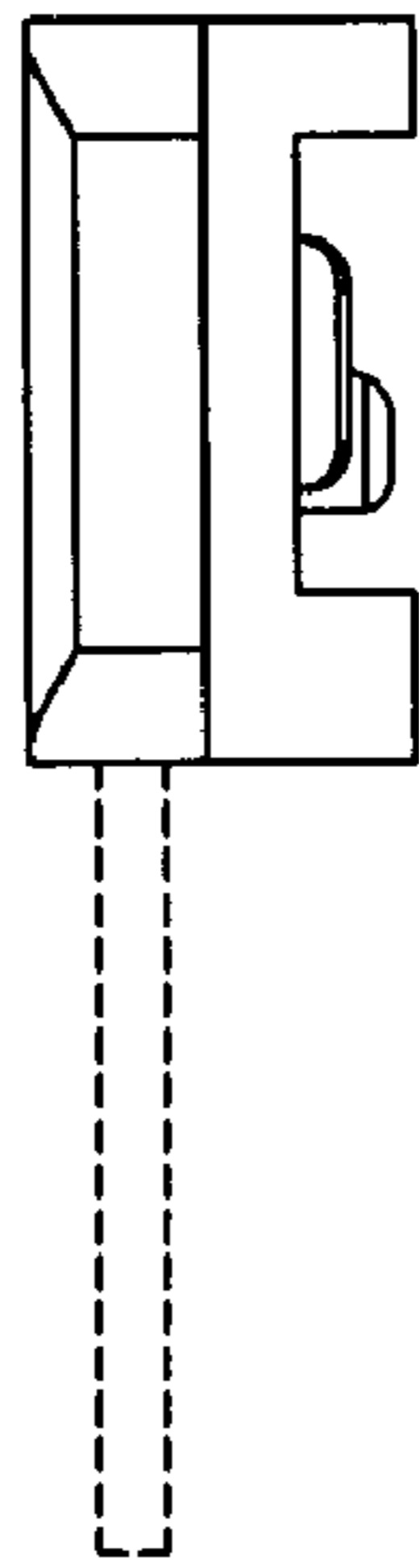


FIG. 5

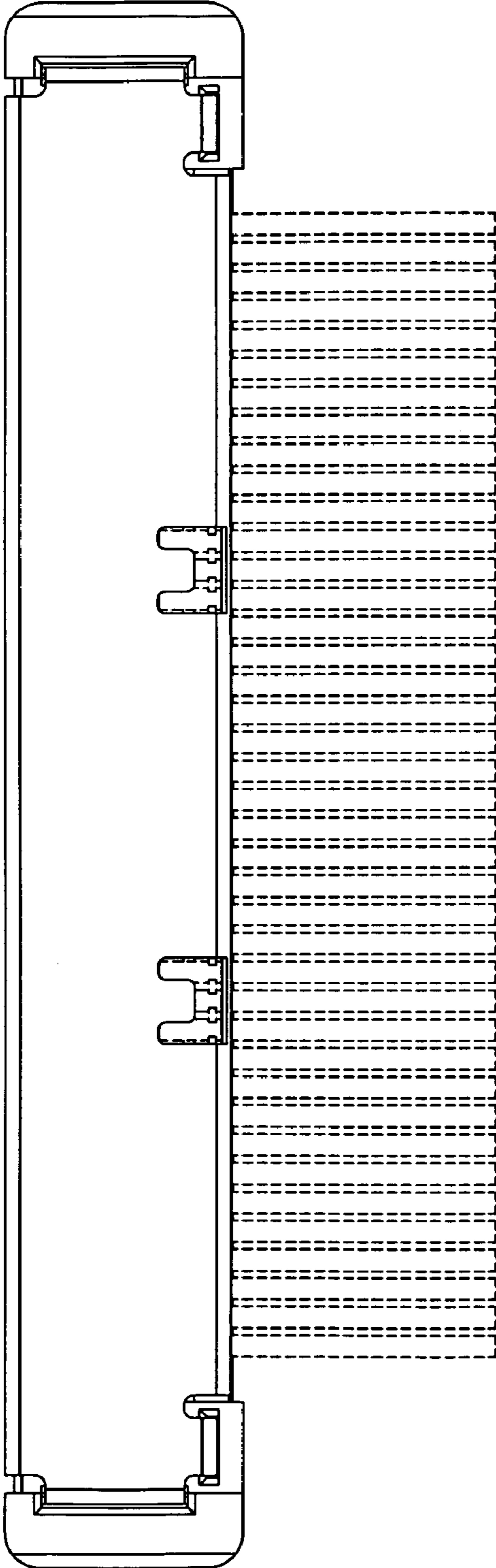


FIG. 6

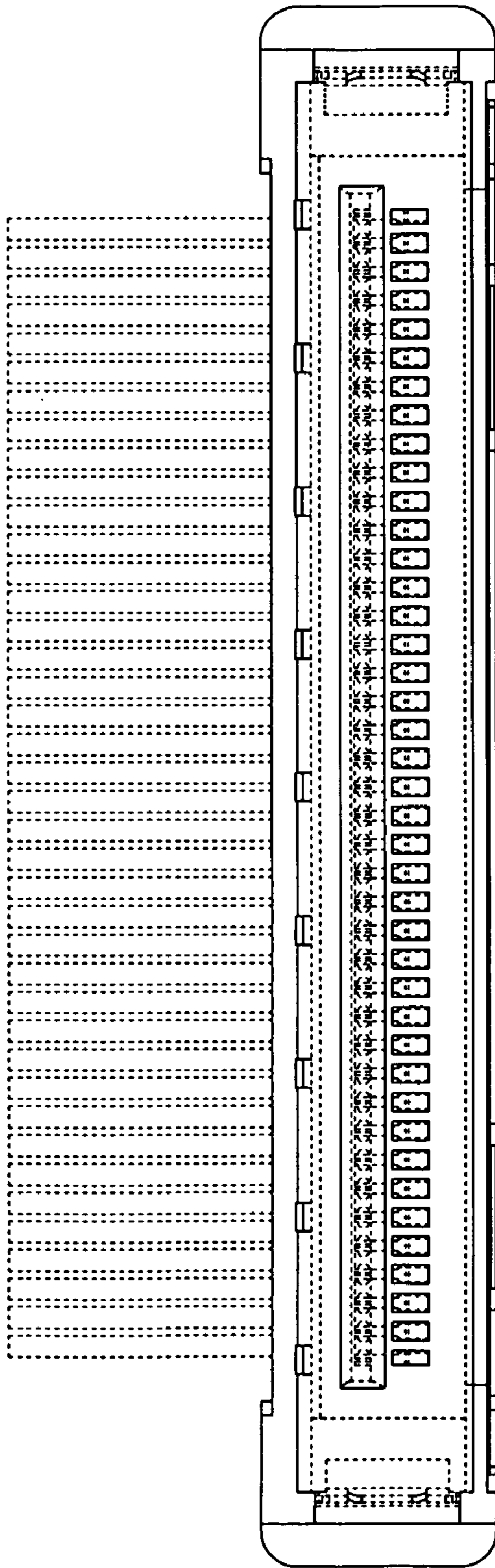


FIG. 7