

US00D591240S

(12) **United States Design Patent**
Huang et al.

(10) **Patent No.:** **US D591,240 S**

(45) **Date of Patent:** **** *Apr. 28, 2009**

(54) **POWER RECEPTACLE CONNECTOR**

(75) Inventors: **Mao-Jung Huang**, Tucheng (TW);
Ping-Chih Chen, Tucheng (TW);
Te-Hung Yin, Tucheng (TW)

(73) Assignee: **Cheng Uei Precision Industry Co., Ltd.**, Taipei (TW)

(*) Notice: This patent is subject to a terminal disclaimer.

(**) Term: **14 Years**

(21) Appl. No.: **29/245,027**

(22) Filed: **Dec. 19, 2005**

(51) **LOC (9) Cl.** **13-03**

(52) **U.S. Cl.** **D13/147**

(58) **Field of Classification Search** D13/133,
D13/146-147, 154, 184, 199; 439/79, 83,
439/108, 353, 358, 541.5, 594, 597, 600,
439/606-610, 639, 677, 680

See application file for complete search history.

(56) **References Cited**

U.S. PATENT DOCUMENTS

- D345,140 S * 3/1994 Nakamura D13/147
- D410,629 S * 6/1999 Bandura et al. D13/147
- D482,658 S * 11/2003 Shao D13/147
- D494,141 S * 8/2004 Spink, Jr. D13/147

- 7,008,255 B1 * 3/2006 Wang 439/357
- 7,029,331 B1 * 4/2006 Lai 439/609
- D524,746 S * 7/2006 Lai D13/147
- 7,074,070 B1 * 7/2006 Huang et al. 439/352
- D525,945 S * 8/2006 Hamada et al. D13/147
- 7,114,981 B1 * 10/2006 Huang et al. 439/353
- 7,144,267 B1 * 12/2006 Huang et al. 439/352
- D543,149 S * 5/2007 Huang et al. D13/147
- D543,505 S * 5/2007 Wang D13/147
- 2002/0142636 A1 * 10/2002 Murr et al. 439/108

* cited by examiner

Primary Examiner—Daniel Bui

(74) *Attorney, Agent, or Firm*—Rosenberg, Klein & Lee

(57) **CLAIM**

The ornamental design for a power receptacle connector, as shown and described.

DESCRIPTION

FIG. 1 is a perspective view of a power receptacle connector showing our new design;

FIG. 2 is a front elevational view thereof;

FIG. 3 is a rear elevational view thereof;

FIG. 4 is a left side elevational view thereof;

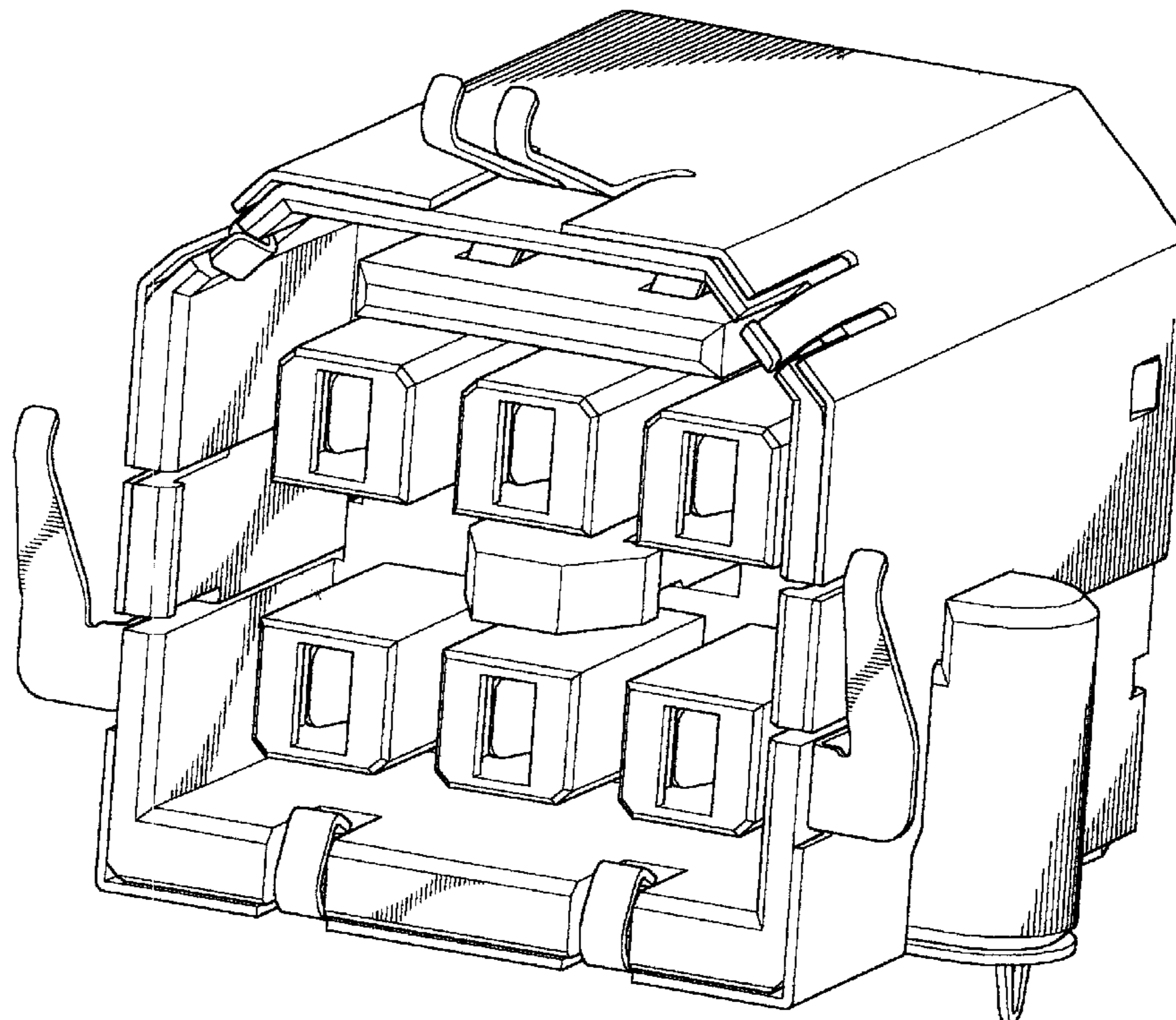
FIG. 5 is a right side elevational view thereof;

FIG. 6 is a top plan view thereof; and,

FIG. 7 is a bottom plan view thereof.

Features shown in broken lines are included for illustrative purposes and do not form a part of the claimed design.

1 Claim, 7 Drawing Sheets



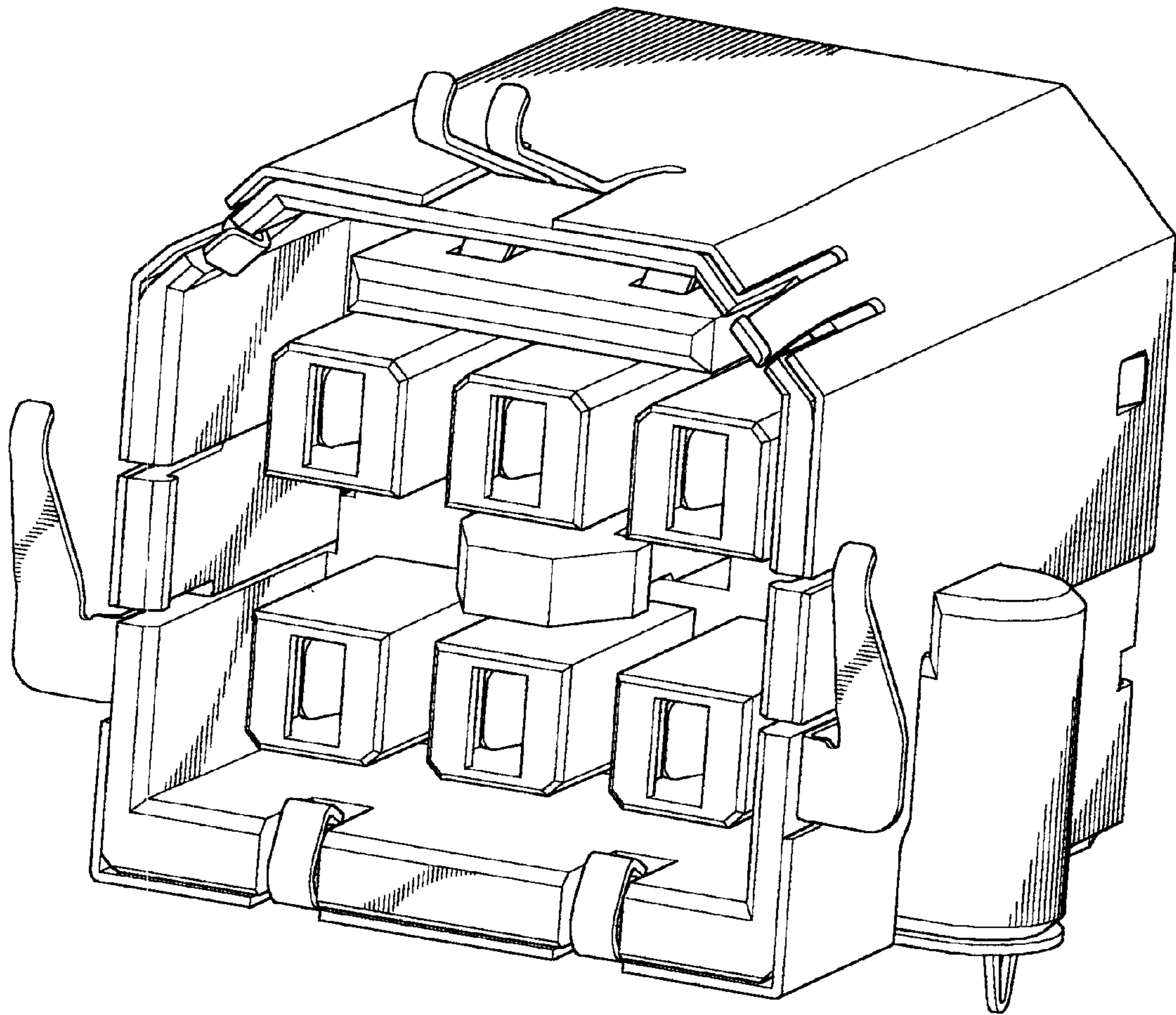


FIG. 1

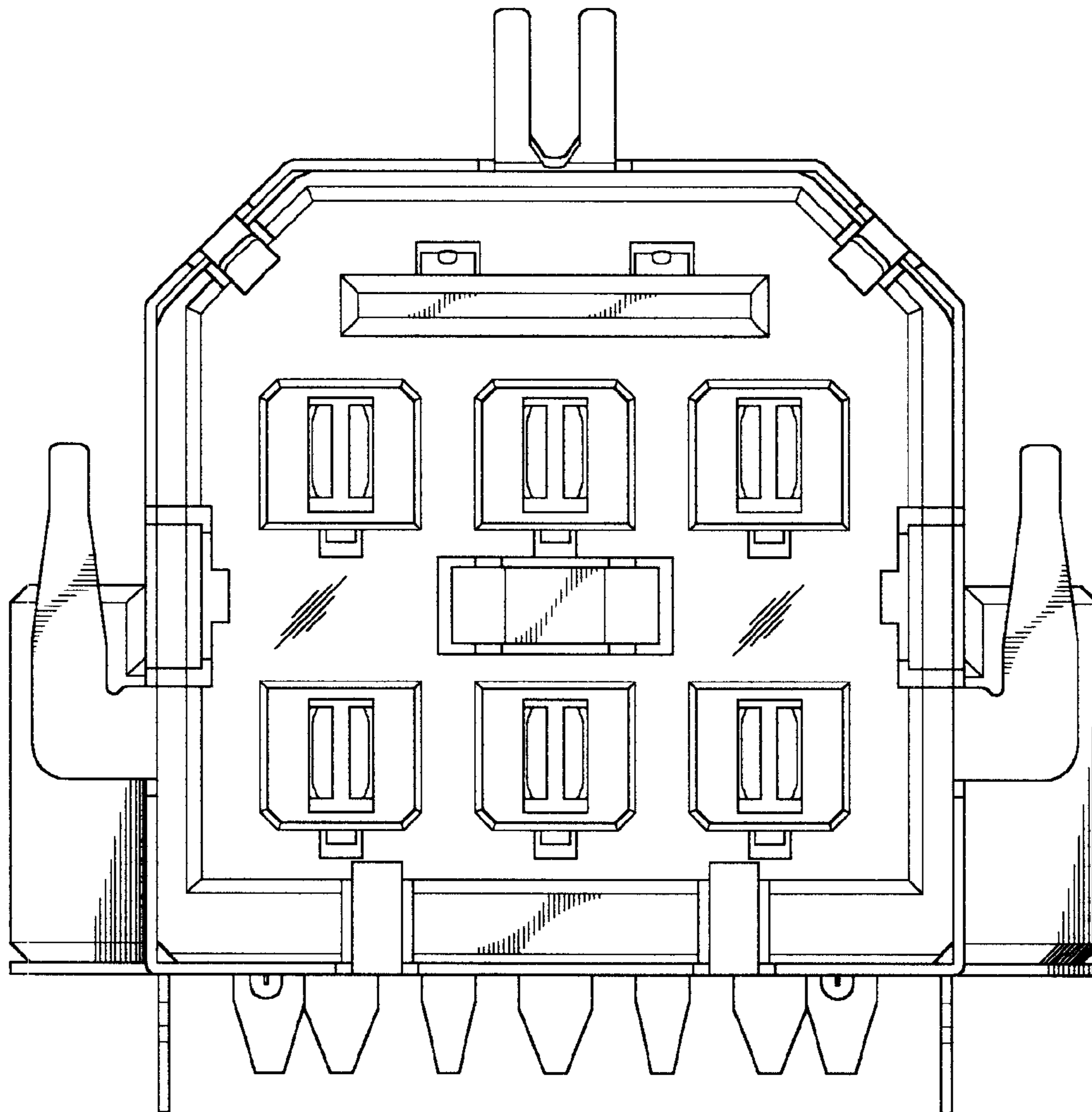


FIG. 2

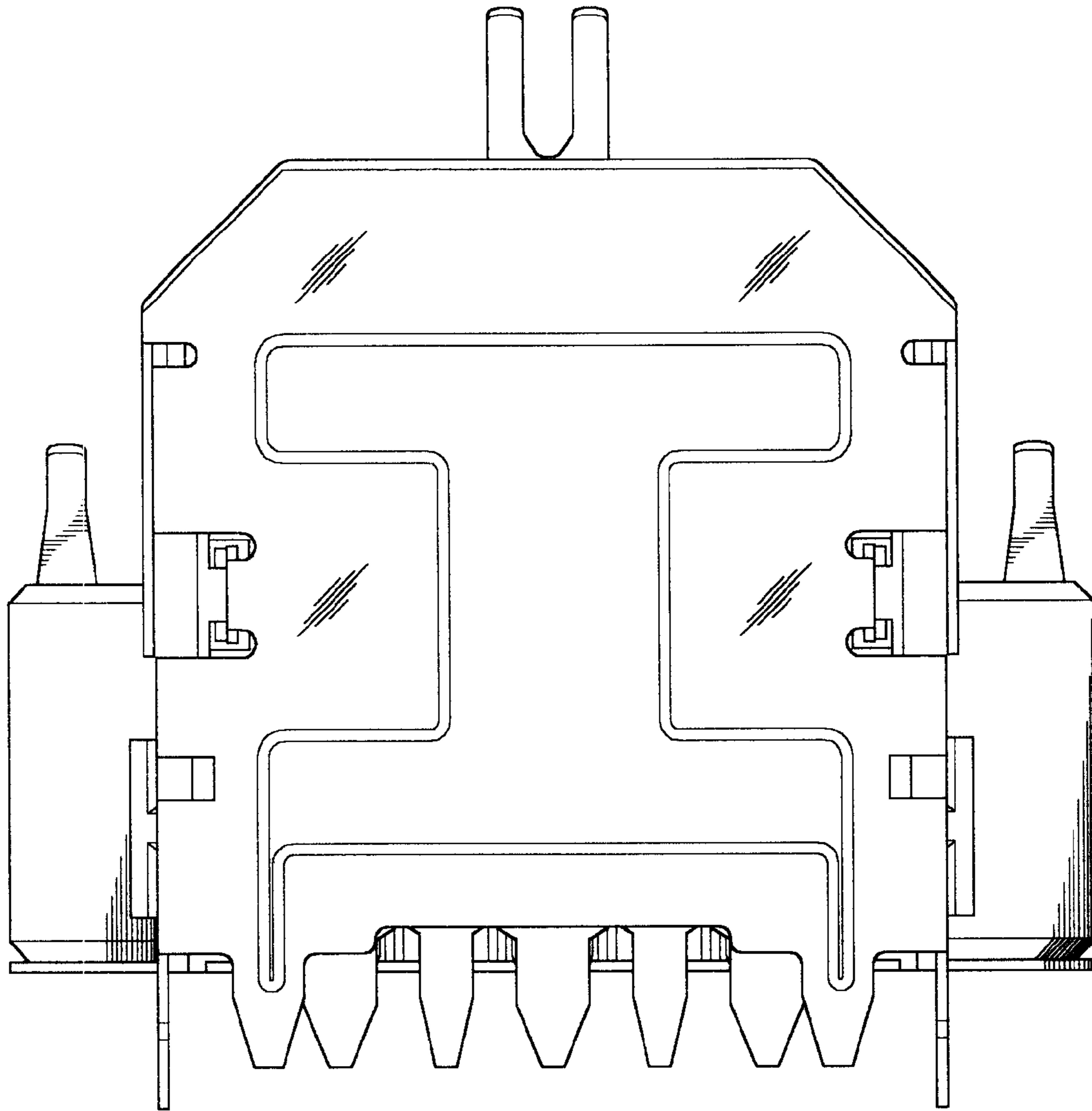


FIG. 3

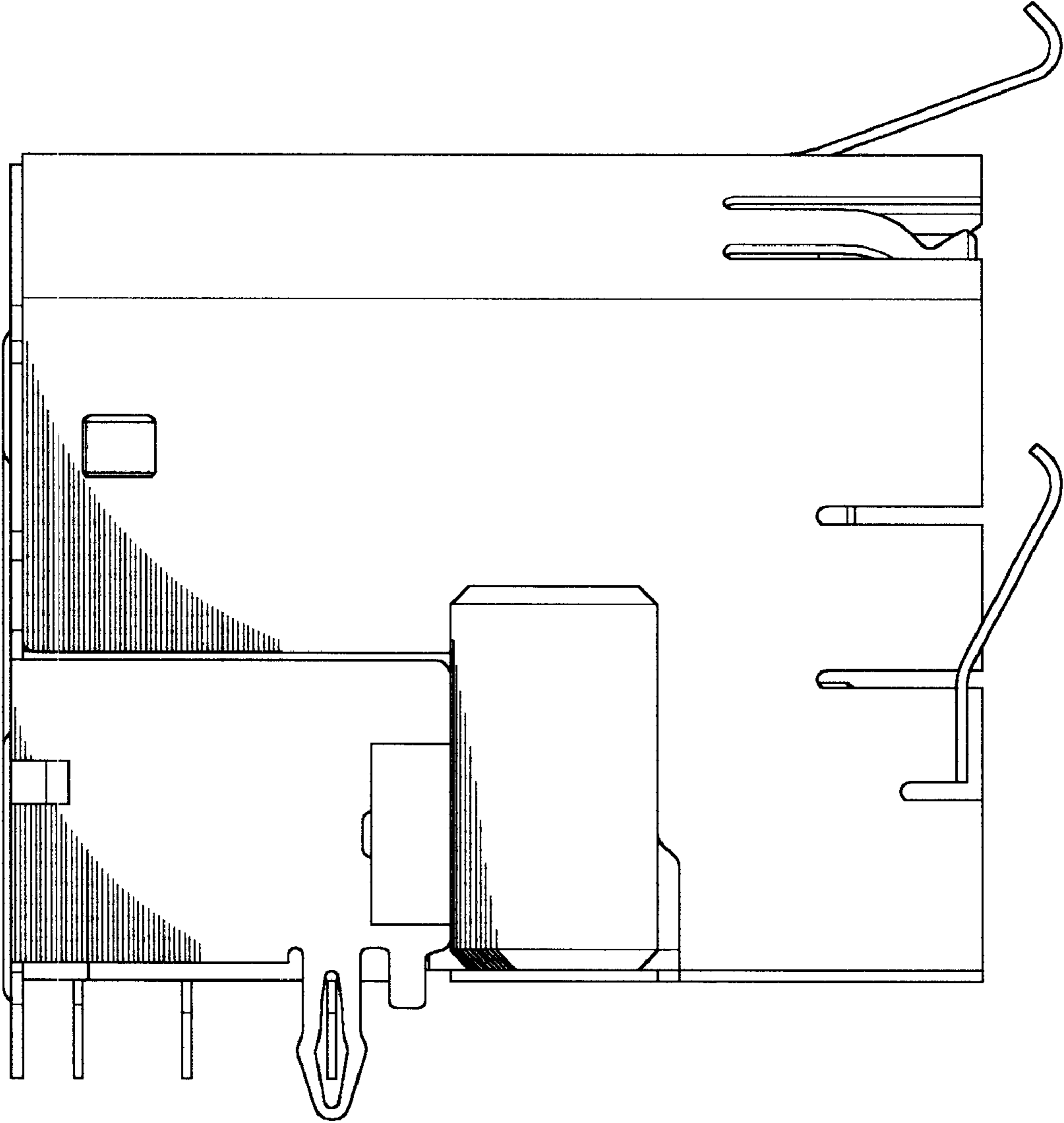


FIG. 4

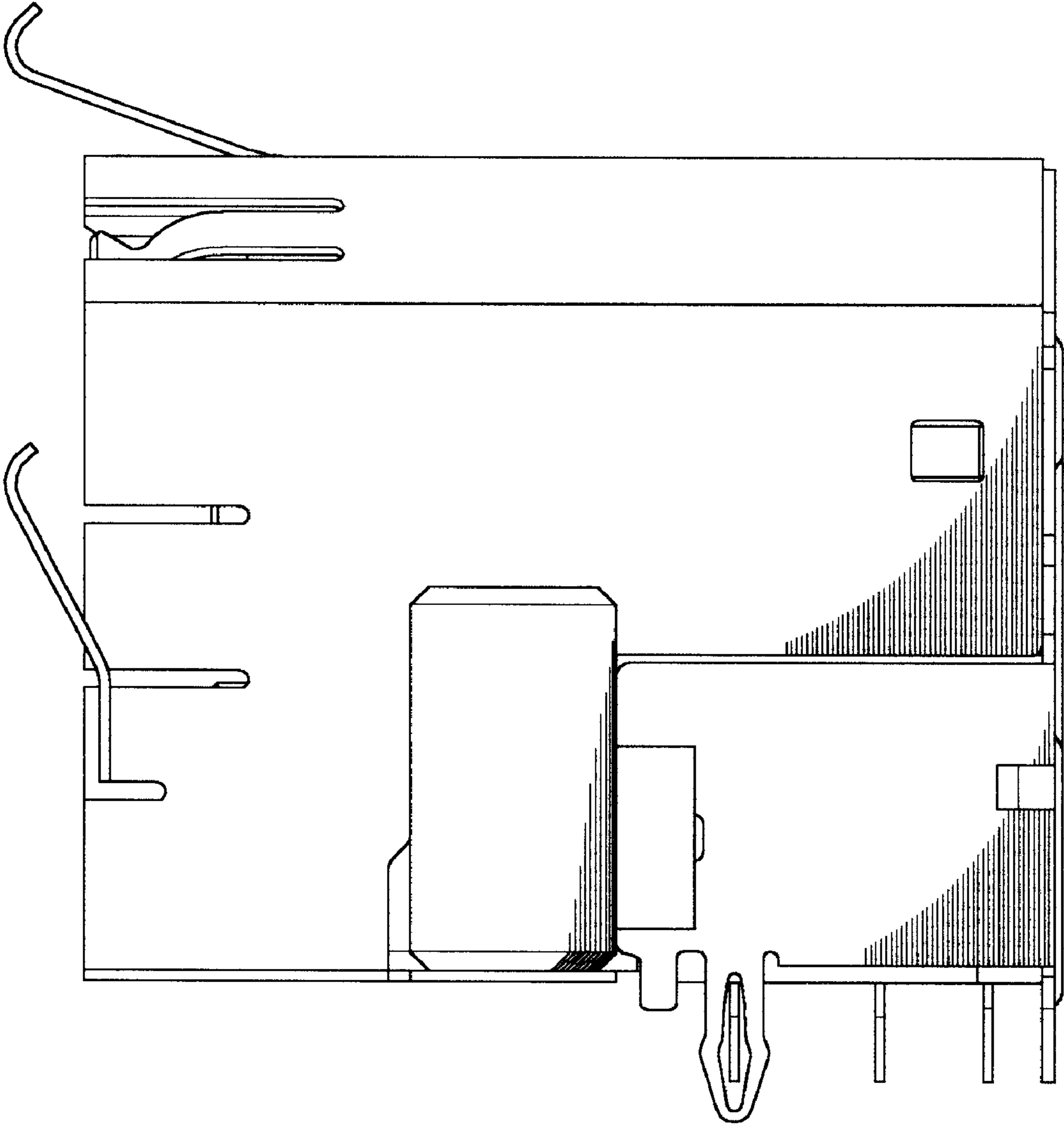


FIG. 5

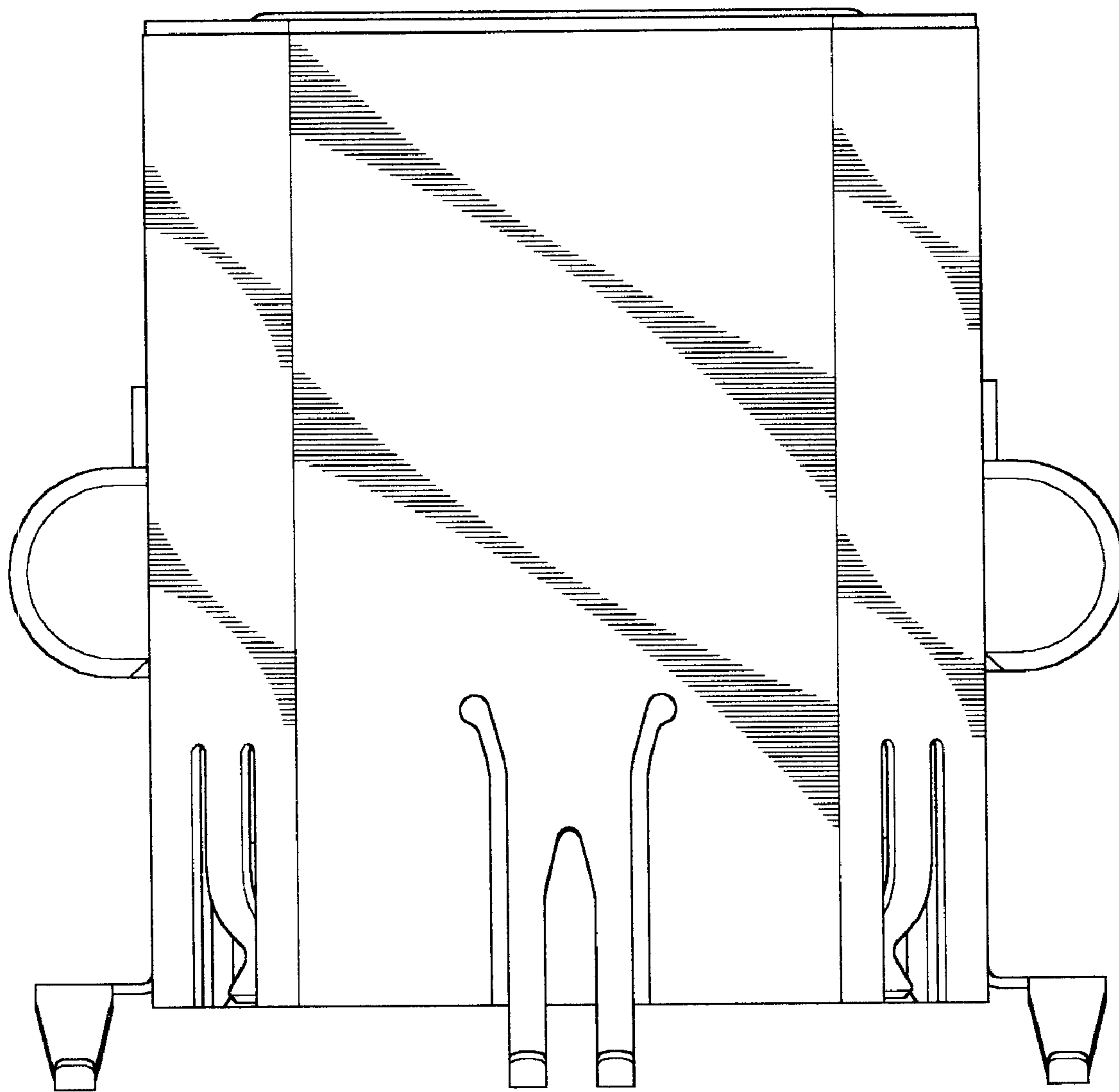


FIG. 6

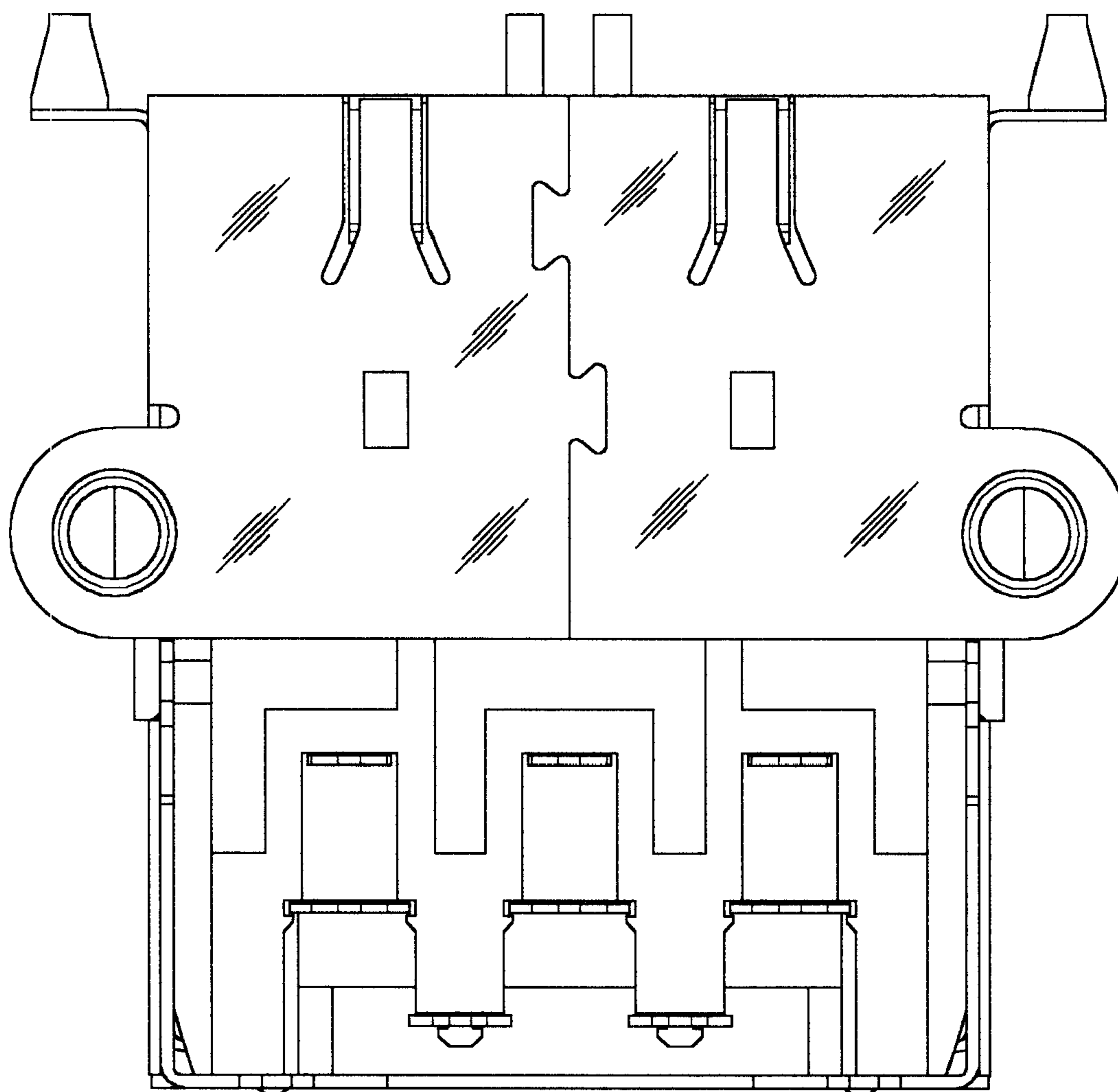


FIG. 7