



US00D591239S

(12) **United States Design Patent**
Caplan

(10) **Patent No.:** **US D591,239 S**
(45) **Date of Patent:** **** Apr. 28, 2009**

(54) **ELECTRICAL WALL PLUG**

6,750,410 B2* 6/2004 Lee 200/51.03

(76) Inventor: **Gregory Caplan**, 77 Parliament Hill,
London (GB) NW3 2TH

* cited by examiner

(**) Term: **14 Years**

Primary Examiner—Jennifer Rivard
Assistant Examiner—Rosemary K Tarcza
(74) *Attorney, Agent, or Firm*—Lowe Hauptman Ham &
Berner, LLP

(21) Appl. No.: **29/322,487**

(22) Filed: **Aug. 6, 2008**

(57) **CLAIM**

(51) **LOC (9) Cl.** **13-03**

I claim the ornamental design for an electrical wall plug, as shown.

(52) **U.S. Cl.** **D13/137.2**

(58) **Field of Classification Search** .. D13/137.1–137.3,
D13/139.1, 139.3, 184; D14/433; 174/53–58,
174/66; 439/105–107, 535, 650–655, 692
See application file for complete search history.

DESCRIPTION

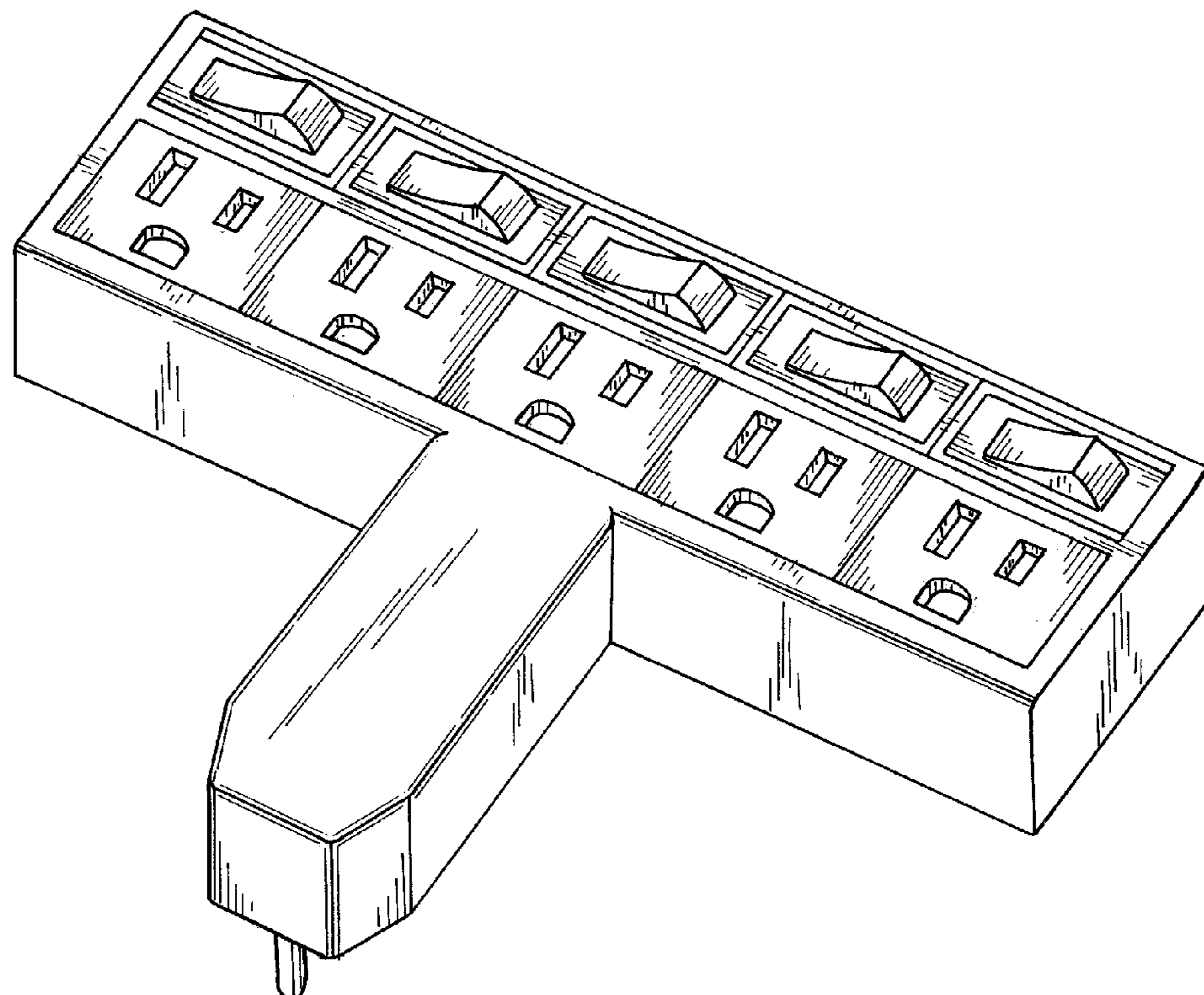
(56) **References Cited**

FIG. 1 is a front, right, bottom perspective of the embodiment of the electrical wall plug;
FIG. 2 is a front view of the electrical wall plug;
FIG. 3 is a bottom view of the electrical wall plug;
FIG. 4 is a top view of the electrical wall plug;
FIG. 5 is a right side view of the electrical wall plug;
FIG. 6 is a left side view of the electrical wall plug; and,
FIG. 7 is a rear view of the electrical wall plug.

U.S. PATENT DOCUMENTS

- D284,758 S * 7/1986 Maloney D13/137.3
- 5,779,499 A * 7/1998 Sette et al. 439/540.1
- 6,329,616 B1 * 12/2001 Lee 200/51.03
- D461,774 S * 8/2002 Genicevitch D13/137.2
- D472,520 S * 4/2003 Genicevitch D13/137.2

1 Claim, 4 Drawing Sheets



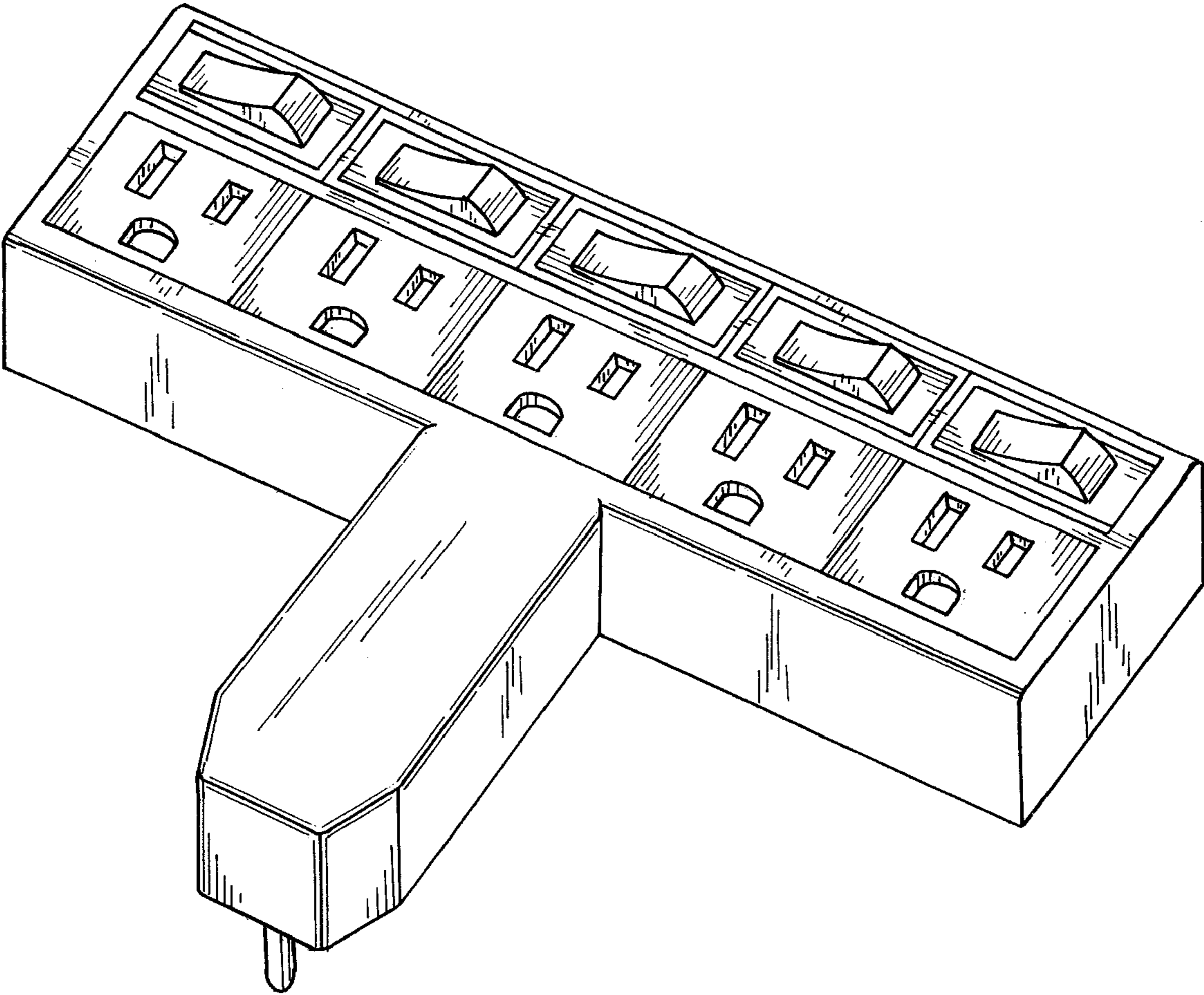


Fig. 1

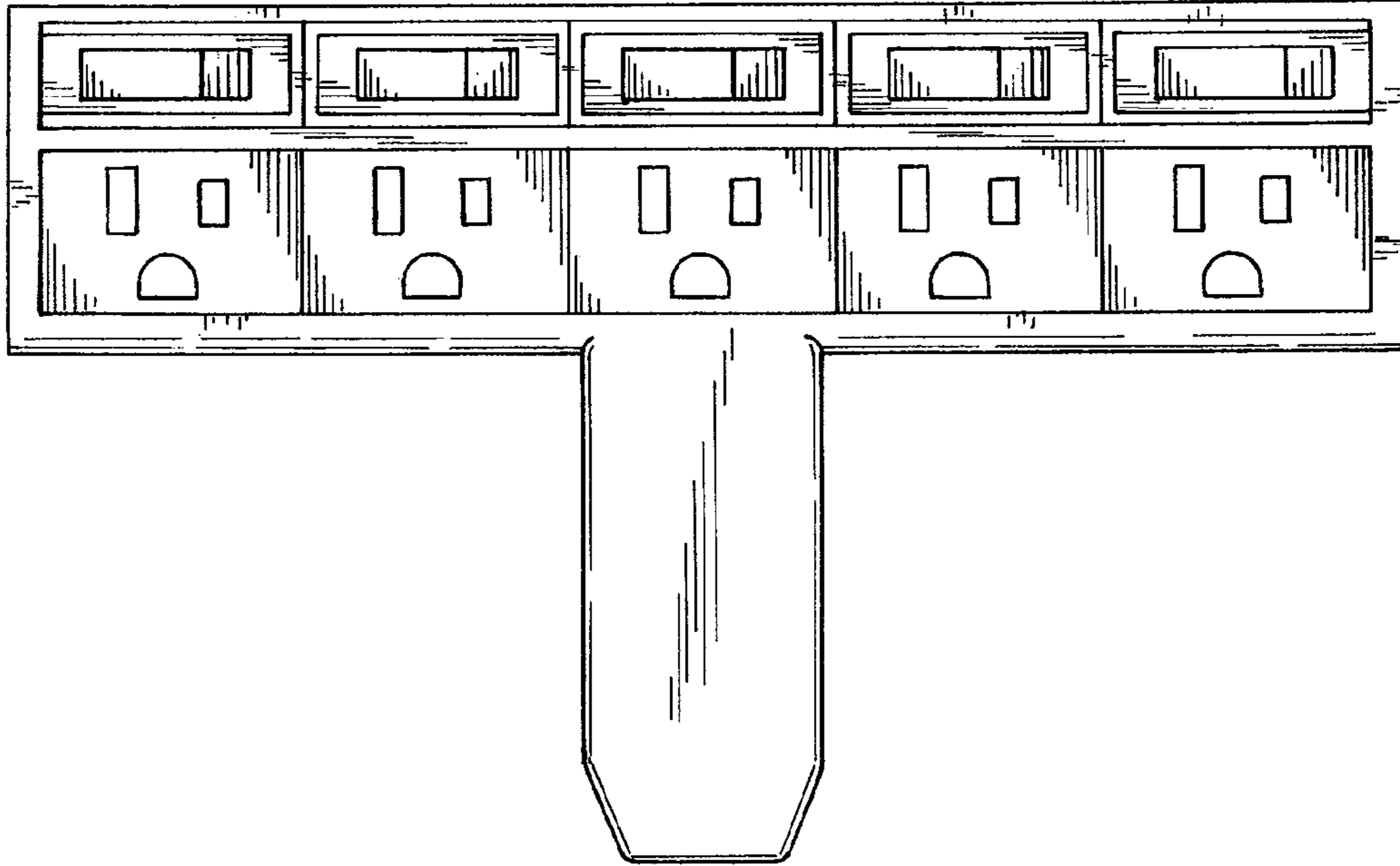


Fig. 2

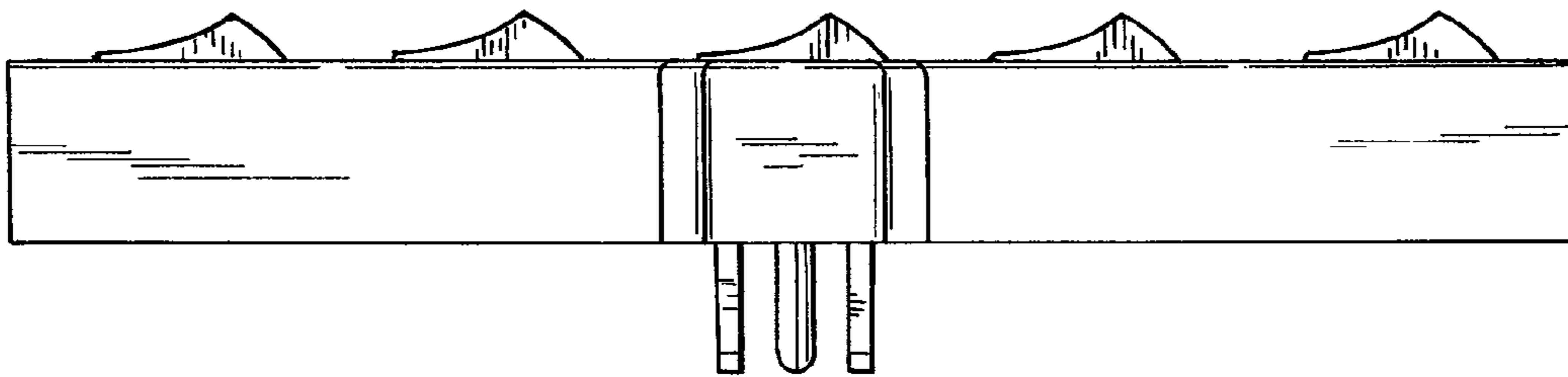


Fig. 3

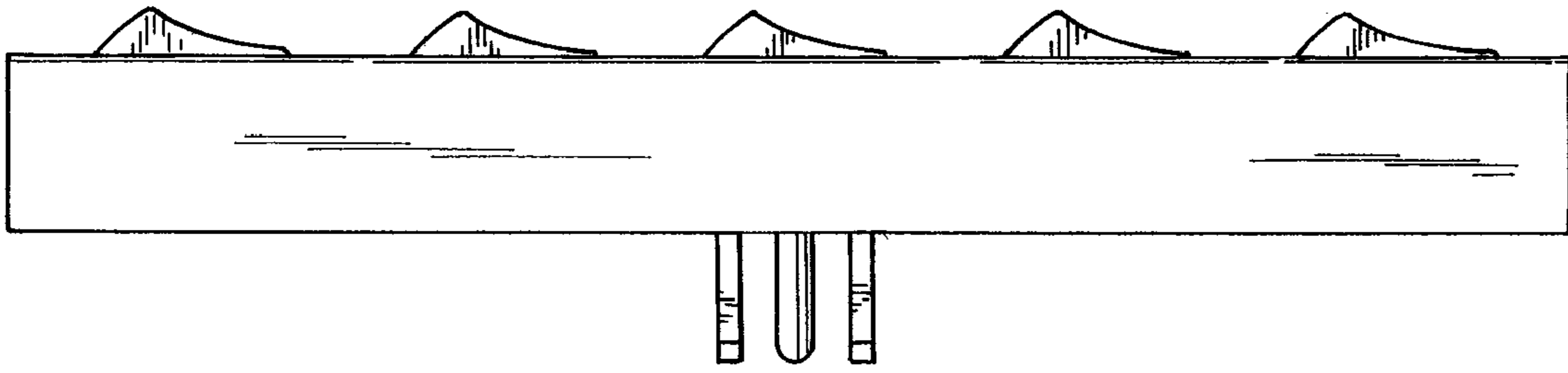


Fig. 4

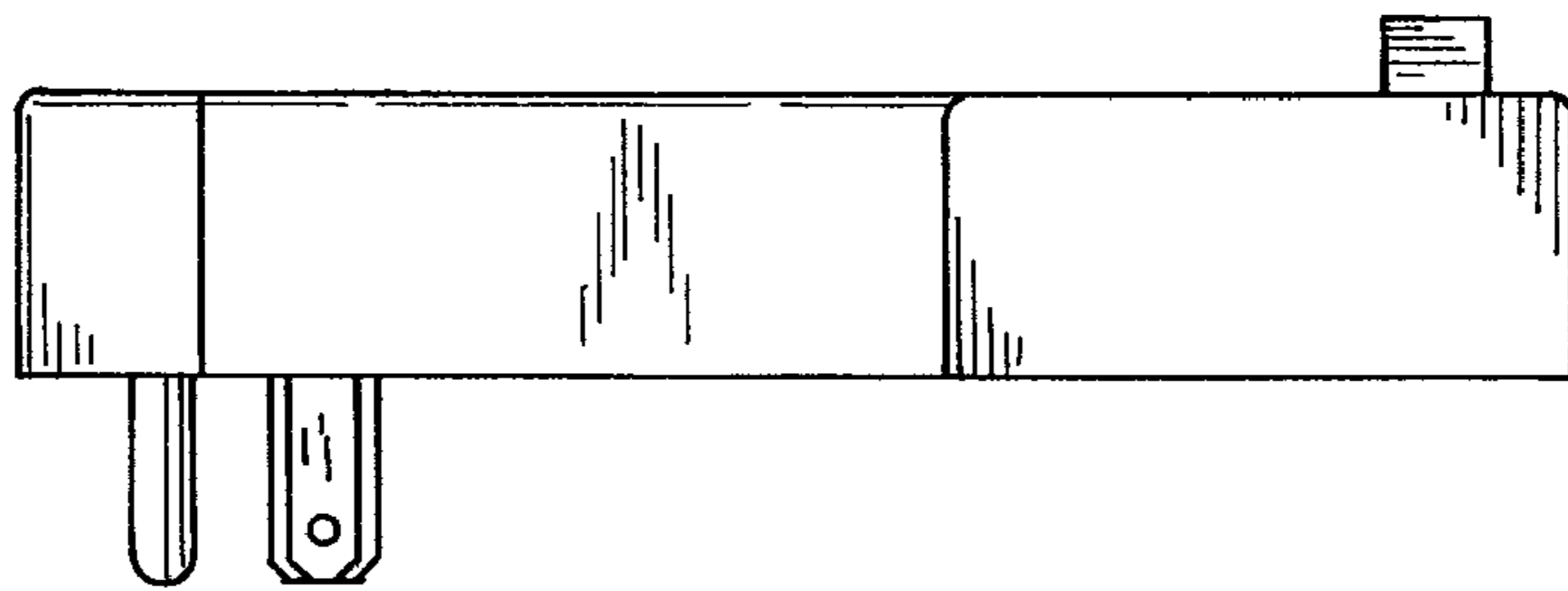


Fig. 5

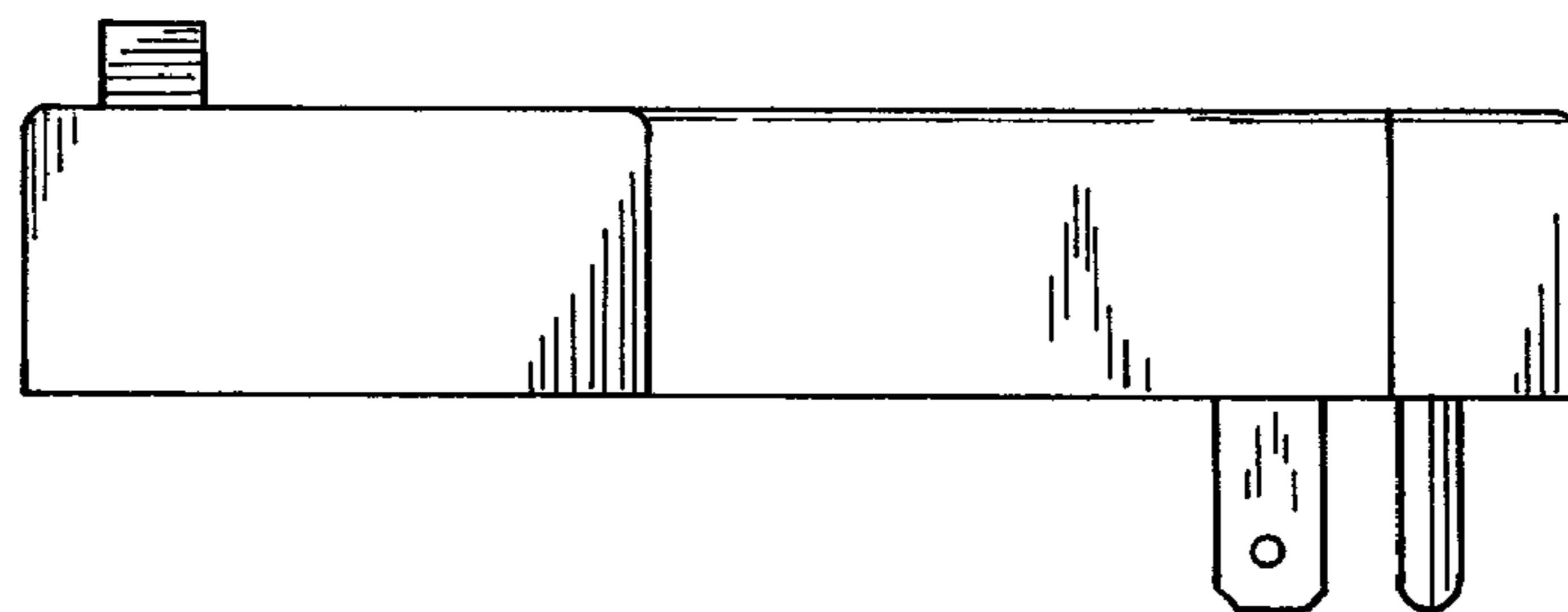


Fig. 6

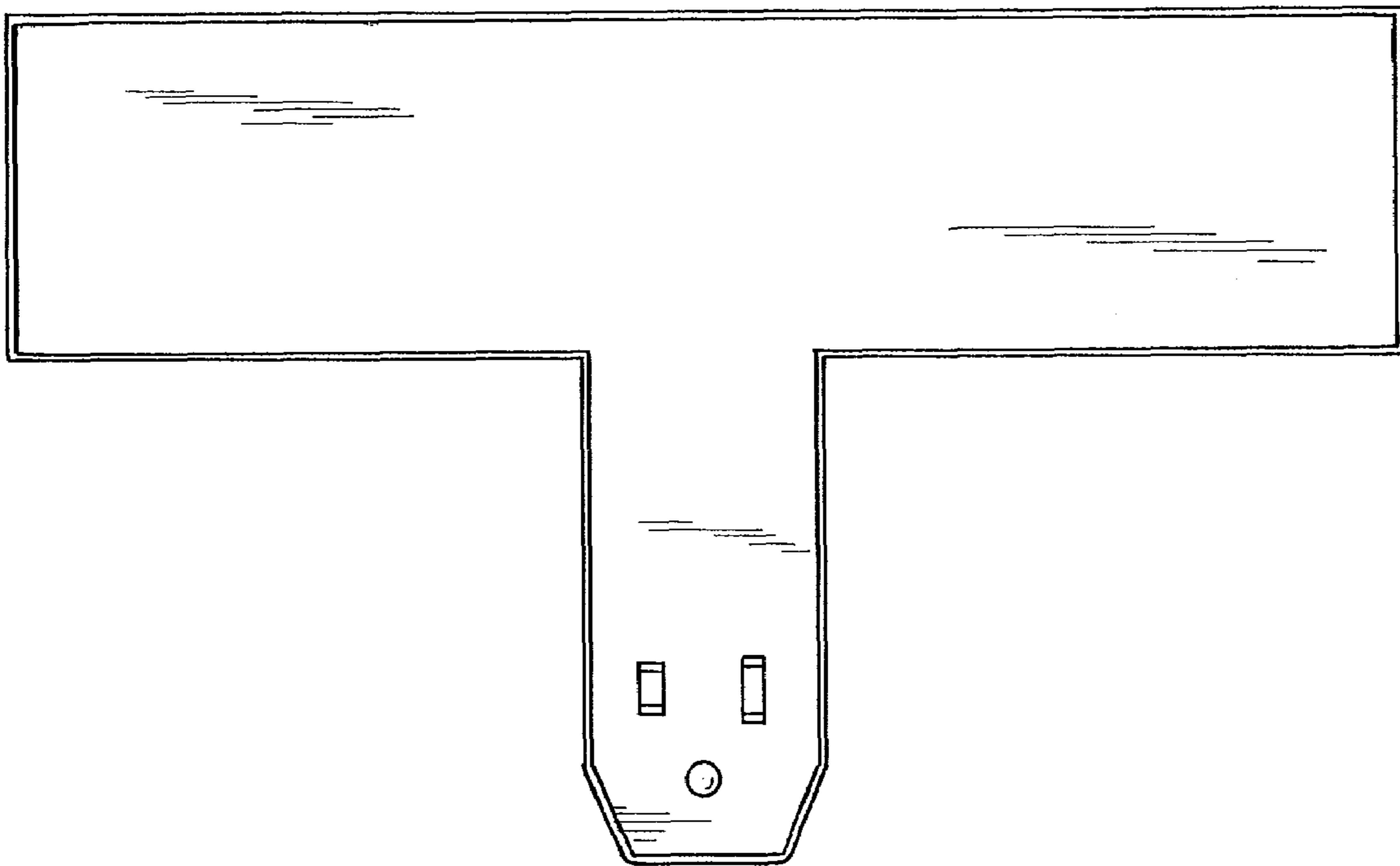


Fig. 7