



US00D591238S

(12) **United States Design Patent**  
**Scherer et al.**

(10) **Patent No.:** **US D591,238 S**  
(45) **Date of Patent:** **\*\* Apr. 28, 2009**

- (54) **HERMAPHRODITIC ELECTRICAL CONNECTOR**
- (75) Inventors: **Richard J. Scherer**, Austin, TX (US);  
**Jess A. Mann**, Austin, TX (US); **Jerome P. Dattilo**, Cedar Park, TX (US);  
**Michael L. Black**, Cedar park, TX (US)
- (73) Assignee: **3M Innovative Properties Company**,  
St. Paul, MN (US)

- 5,120,268 A 6/1992 Gerrans
- D331,912 S 12/1992 Syck
- 5,180,316 A 1/1993 Miller et al.
- 5,183,409 A 2/1993 Clever et al.
- 5,197,908 A 3/1993 Nelson
- 5,219,303 A 6/1993 Daly et al.
- 5,417,585 A 5/1995 Morin et al.
- 5,429,524 A 7/1995 Wakata et al.
- 5,487,677 A 1/1996 Hoffner
- 5,538,435 A 7/1996 Yohn
- 5,632,942 A 5/1997 Yeh et al.
- D381,628 S 7/1997 Ashida

(\*\*) Term: **14 Years**

(Continued)

(21) Appl. No.: **29/321,514**

**FOREIGN PATENT DOCUMENTS**

(22) Filed: **Jul. 17, 2008**

JP 08203616 8/1996

(Continued)

**Related U.S. Application Data**

(62) Division of application No. 29/247,987, filed on Jul. 24, 2006, now Pat. No. Des. 575,742.

*Primary Examiner*—Daniel D Bui

(74) *Attorney, Agent, or Firm*—Melanie G. Gover

(51) **LOC (9) Cl.** ..... **13-03**

(57) **CLAIM**

(52) **U.S. Cl.** ..... **D13/134**

(58) **Field of Classification Search** ..... D13/133,  
D13/134, 136, 146, 147, 154, 184, 199; D26/24,  
D26/113; 313/318.01, 318.02, 318.03, 318.05,  
313/318.12; 362/260; 439/168, 220, 226,  
439/280, 291, 375, 378, 379, 419, 602, 626,  
439/639, 649

The ornamental design for a hermaphroditic electrical connector, as shown and described.

See application file for complete search history.

**DESCRIPTION**

FIG. 1 is a perspective view of a hermaphroditic electrical connector showing our new design;  
FIG. 2 is a right side view thereof;  
FIG. 3 is a top side view thereof;  
FIG. 4 is a bottom side view thereof;  
FIG. 5 is a left side view thereof;  
FIG. 6 is a front side view thereof; and,  
FIG. 7 is a back side view thereof.

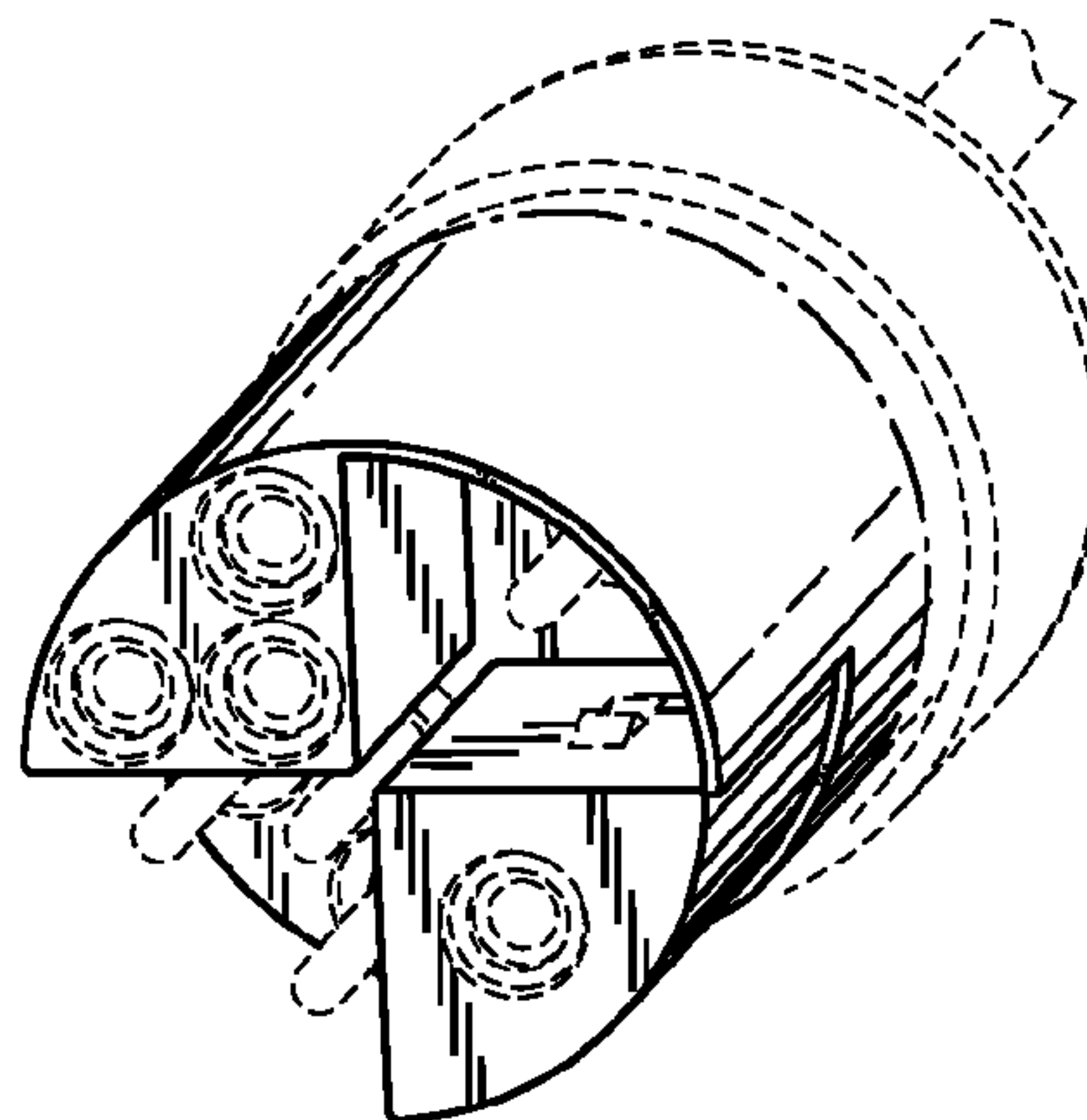
(56) **References Cited**

**U.S. PATENT DOCUMENTS**

- 2,124,207 A 7/1938 Neesen
- D184,294 S 1/1959 Swan
- 2,987,691 A 6/1961 Ross
- 3,086,188 A 4/1963 Ross
- 3,953,099 A 4/1976 Wilson
- 4,289,366 A 9/1981 Marks
- 4,351,036 A 9/1982 Mollere
- 4,477,136 A 10/1984 Smith
- 4,634,202 A 1/1987 Taylor
- 4,990,099 A 2/1991 Marin et al.

The dash-dot line represents the boundary of the claimed design, the broken line showing of the environment is for illustrative purposes only and forms no part of the claimed design.

**1 Claim, 2 Drawing Sheets**



# US D591,238 S

Page 2

## U.S. PATENT DOCUMENTS

D412,312 S 7/1999 Myers  
6,165,013 A 12/2000 Broussard  
D462,662 S 9/2002 Lindekugel  
6,447,319 B1 9/2002 Bodin  
D465,458 S 11/2002 Zhang et al.  
D478,870 S 8/2003 Fang  
6,869,309 B2 3/2005 Ziegler et al.  
7,063,570 B1 6/2006 Coyle et al.  
D547,724 S 7/2007 Ciancanelli et al.  
D547,725 S 7/2007 Ciancanelli et al.  
D551,624 S 9/2007 Ciancanelli et al.  
D553,569 S 10/2007 Ciancanelli et al.  
D571,735 S \* 6/2008 Scherer et al. .... D13/156

D572,201 S \* 7/2008 Scherer et al. .... D13/156  
D575,234 S \* 8/2008 Zayas ..... D13/134  
D575,742 S \* 8/2008 Scherer et al. .... D13/134  
2003/0022005 A1 1/2003 Kedzierski  
2003/0220005 A1 11/2003 Kedzierski  
2008/0020649 A1 1/2008 Scherer et al.  
2008/0076281 A1 3/2008 Ciancanelli et al.

## FOREIGN PATENT DOCUMENTS

JP 10125408 5/1998  
JP 15059552 2/2003  
JP 15077582 3/2003  
JP 15235128 8/2003

\* cited by examiner

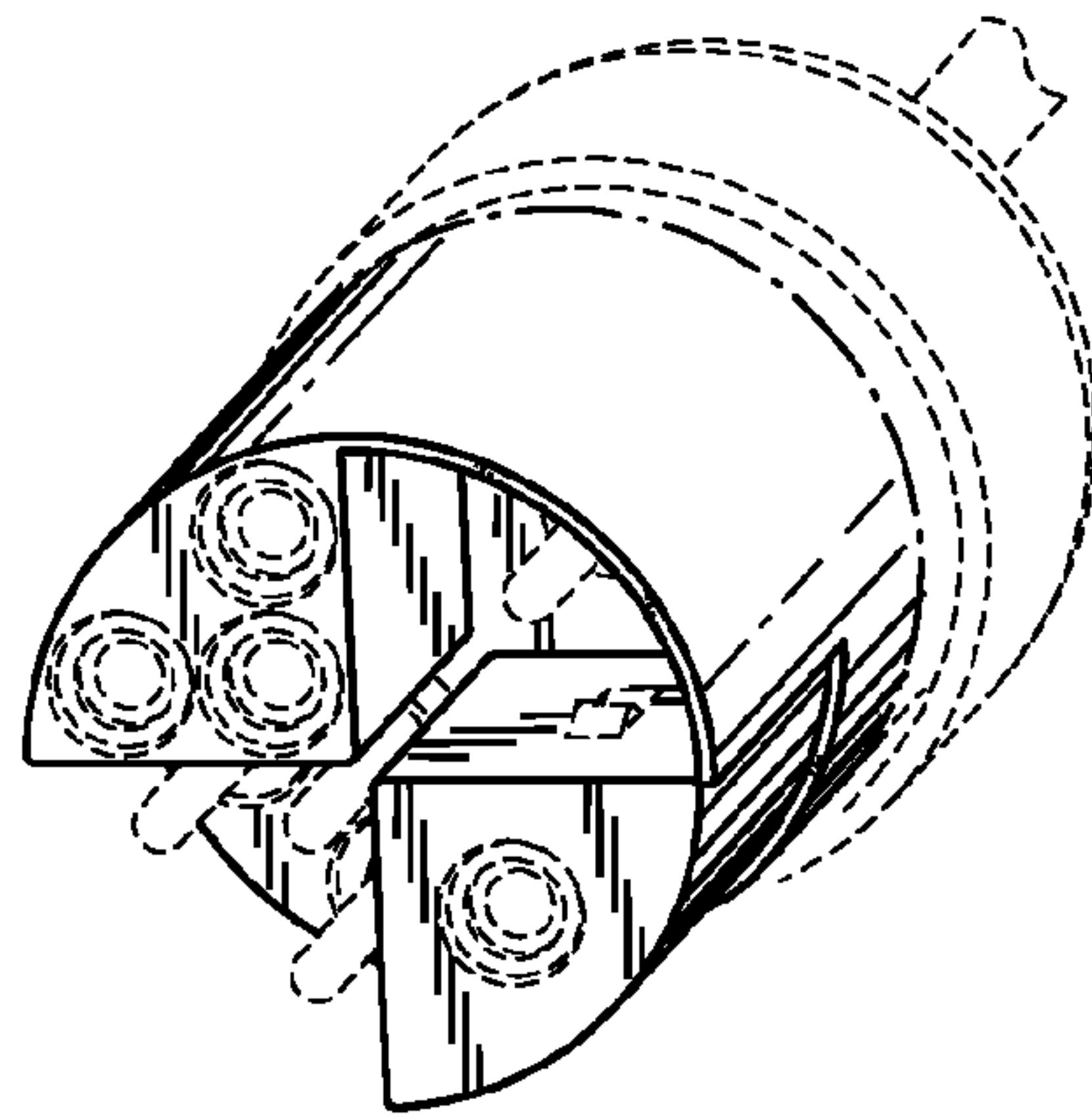


FIG. 1

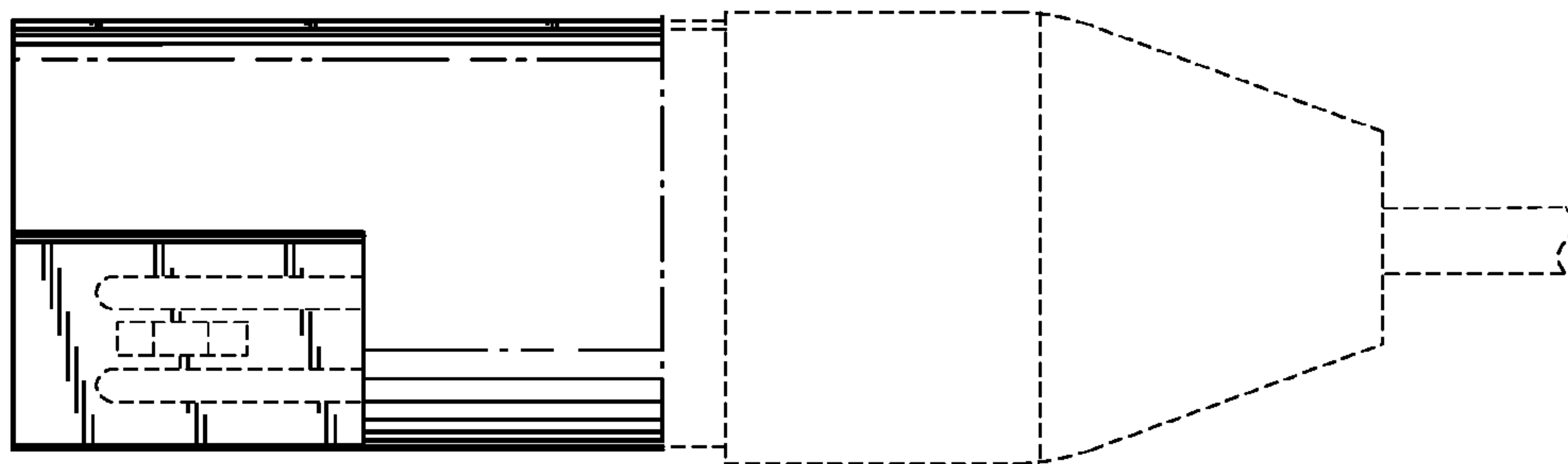


FIG. 2

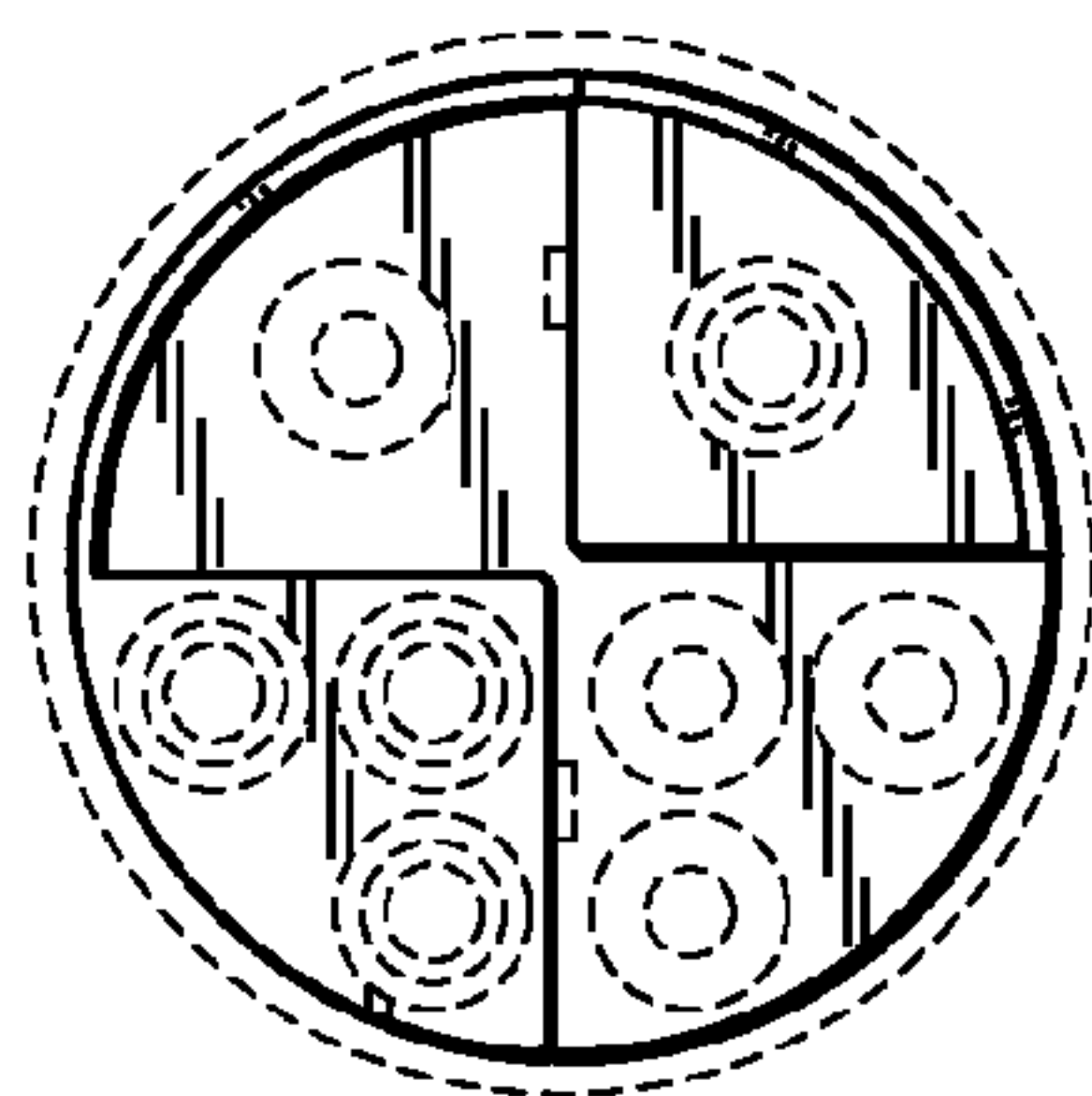


FIG. 3

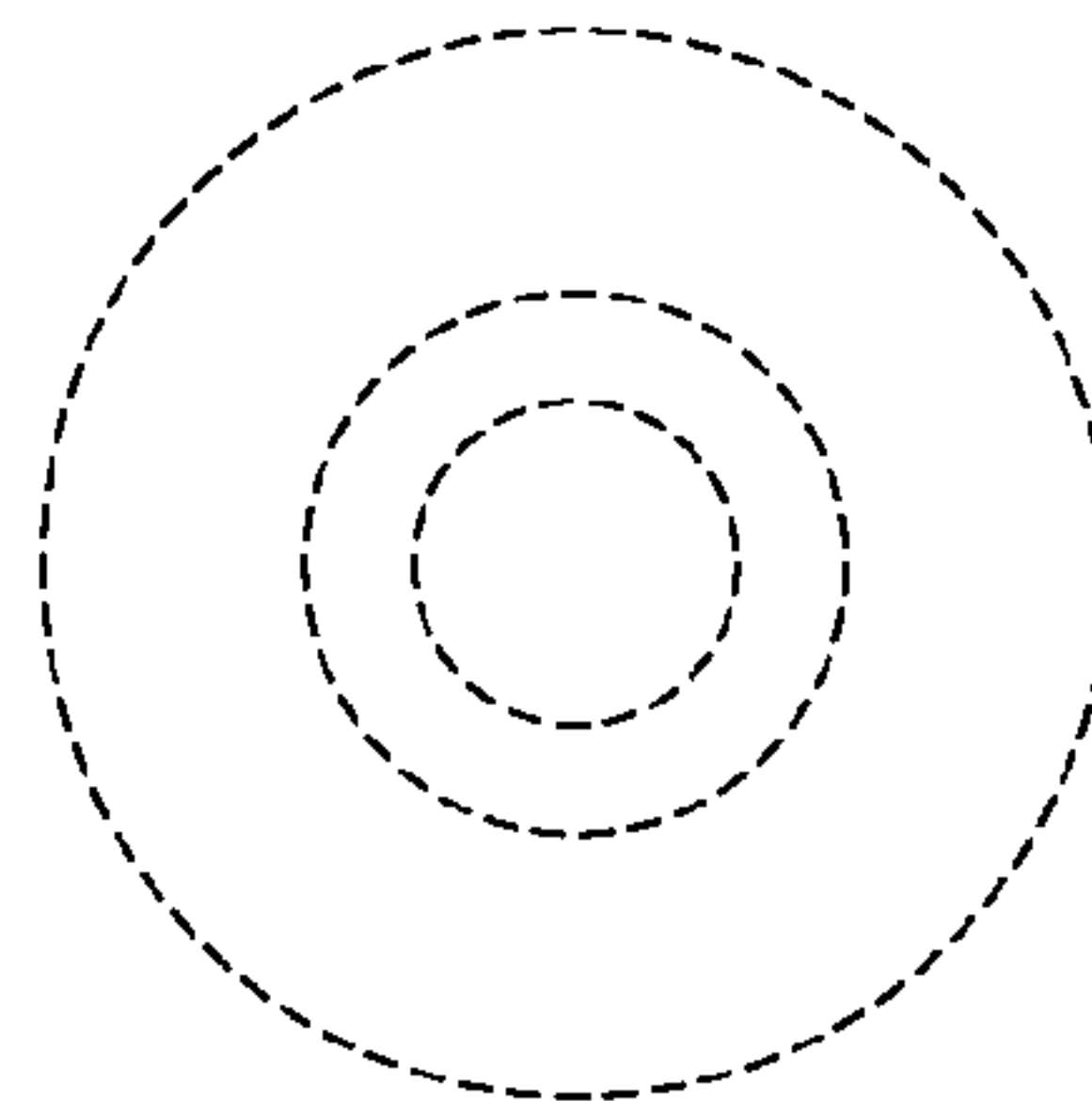
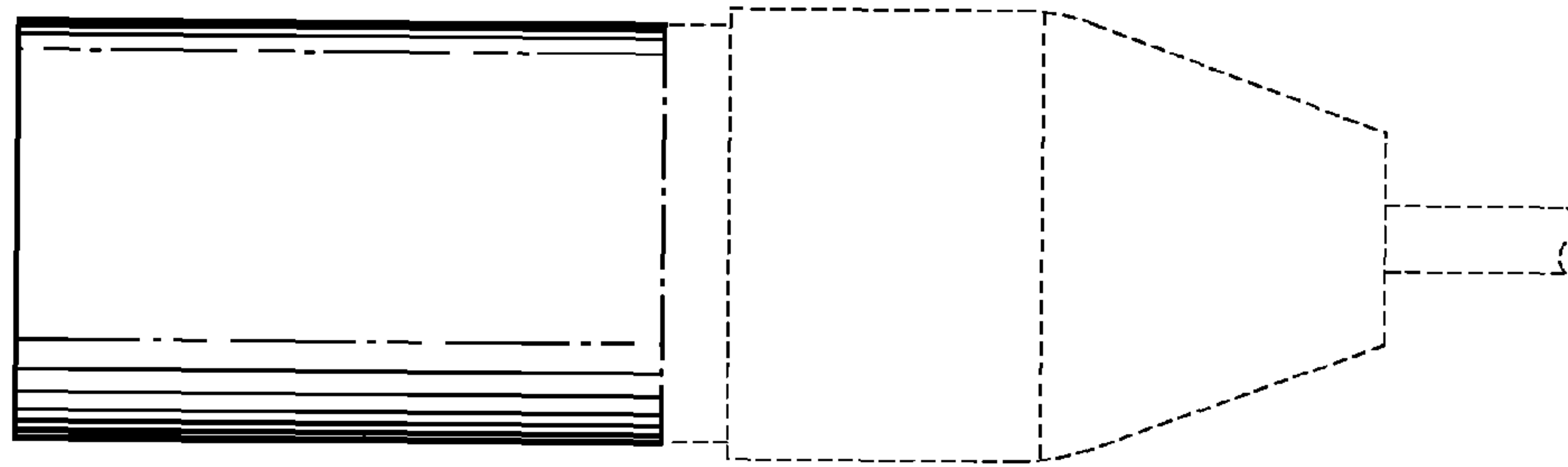
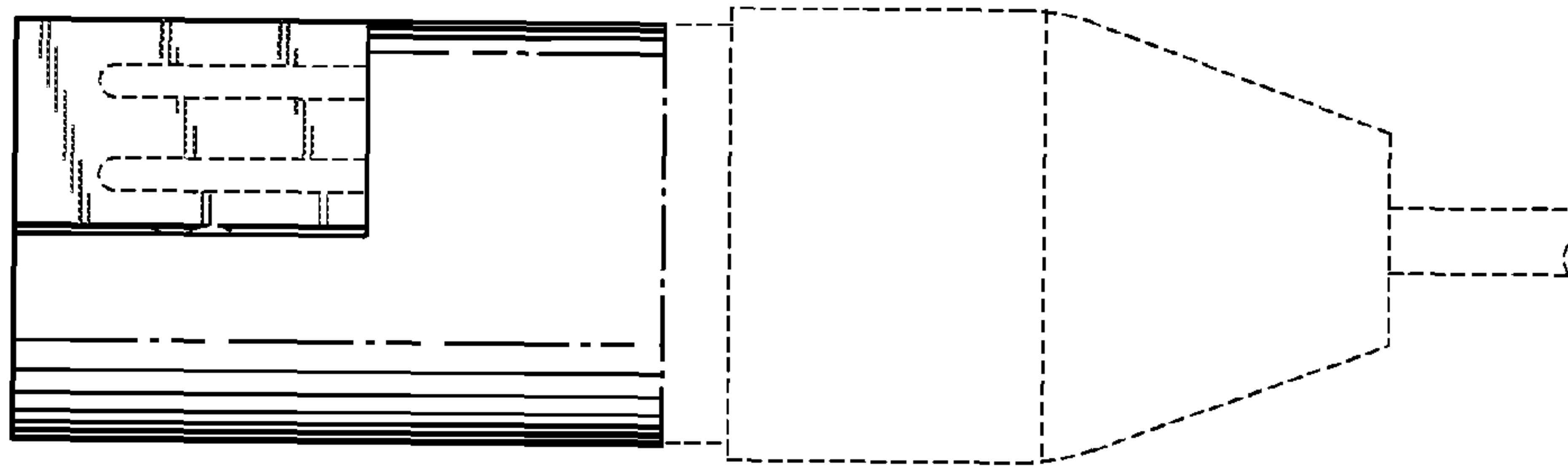


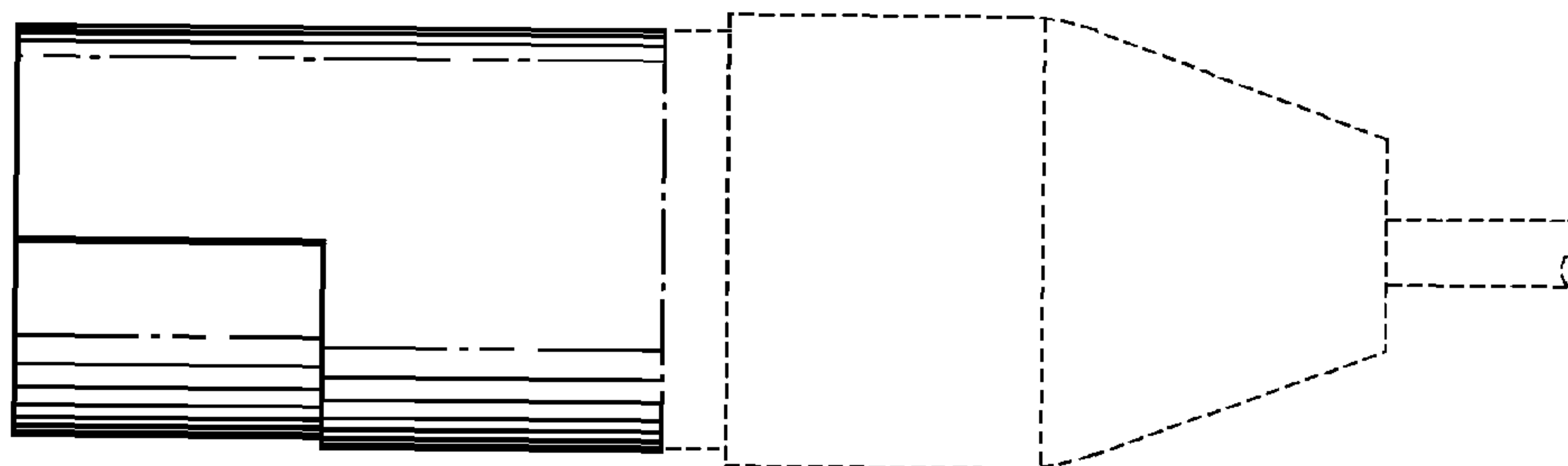
FIG. 4



*FIG. 5*



*FIG. 6*



*FIG. 7*