



US00D591237S

(12) **United States Design Patent**
Ohmori

(10) **Patent No.:** **US D591,237 S**
(45) **Date of Patent:** **** *Apr. 28, 2009**

(54) **SOCKET FOR COLD CATHODE
FLUORESCENT LAMP**

(75) Inventor: **Yasuhiro Ohmori, Yao (JP)**

(73) Assignee: **Hosiden Corporation, Yao-shi (JP)**

(*) Notice: This patent is subject to a terminal disclaimer.

(**) Term: **14 Years**

(21) Appl. No.: **29/273,483**

(22) Filed: **Mar. 7, 2007**

(30) **Foreign Application Priority Data**

Sep. 22, 2006 (JP) 2006-025380

(51) **LOC (9) Cl.** **13-03**

(52) **U.S. Cl.** **D13/134**

(58) **Field of Classification Search** D13/133,
D13/134, 149; D26/138, 140; 362/217,
362/147, 223, 260; 439/241, 242, 243, 244,
439/239, 226, 240

See application file for complete search history.

(56) **References Cited**

U.S. PATENT DOCUMENTS

- 4,198,109 A * 4/1980 Ustin 439/239
- 5,469,348 A * 11/1995 Wong 362/217
- D388,395 S * 12/1997 Henrici D13/134
- D399,820 S * 10/1998 Henrici D13/134
- 5,816,837 A * 10/1998 Henrici et al. 439/231
- D417,653 S * 12/1999 Henrici D13/134
- 6,561,828 B2 * 5/2003 Henrici et al. 439/239

(Continued)

Primary Examiner—Daniel D Bui

Assistant Examiner—Thomas J Johannes

(74) *Attorney, Agent, or Firm*—Kratz, Quintos & Hanson, LLP

(57) **CLAIM**

The ornamental design for a socket for cold cathode fluorescent lamp, as shown and described.

DESCRIPTION

FIG. 1 is a front elevation view of a socket for cold cathode fluorescent lamp showing my new design;

FIG. 2 is a back elevation view thereof;

FIG. 3 is a top plan view thereof;

FIG. 4 is a bottom plan view thereof;

FIG. 5 is a right side elevation view thereof;

FIG. 6 is a left side elevation view thereof;

FIG. 7 is a top, front, and right side perspective view thereof;

FIG. 8 is a front elevation view thereof, with its operating member raised;

FIG. 9 is a left side elevation view thereof, with its operating member raised;

FIG. 10 is a top, front, and right side perspective view thereof, with its operating member raised;

FIG. 11 is a top, front, and right side perspective view thereof, showing a cold cathode fluorescent lamp connected to the socket;

FIG. 12 is a cross-sectional view thereof, taken along line 12-12 of FIG. 1;

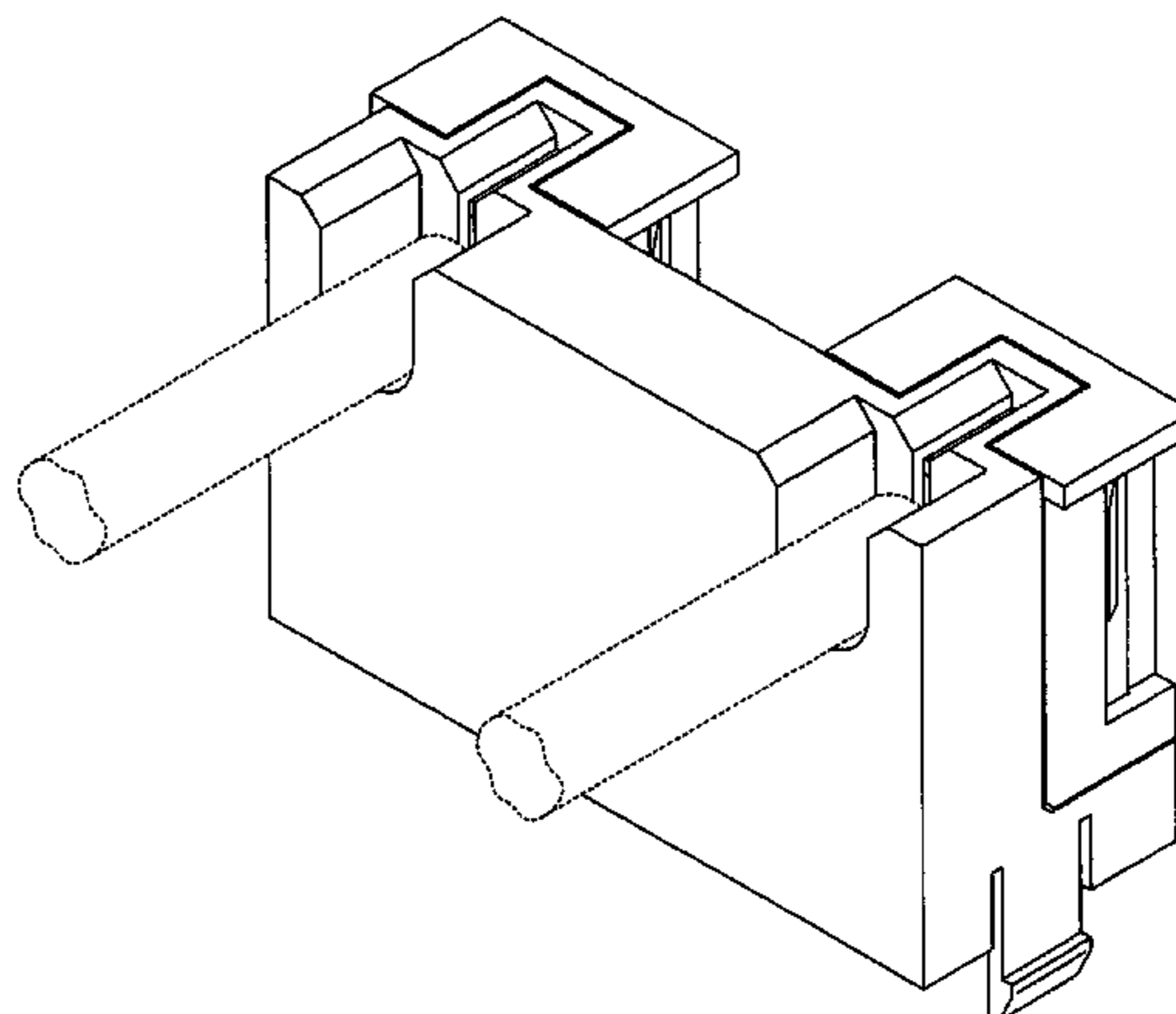
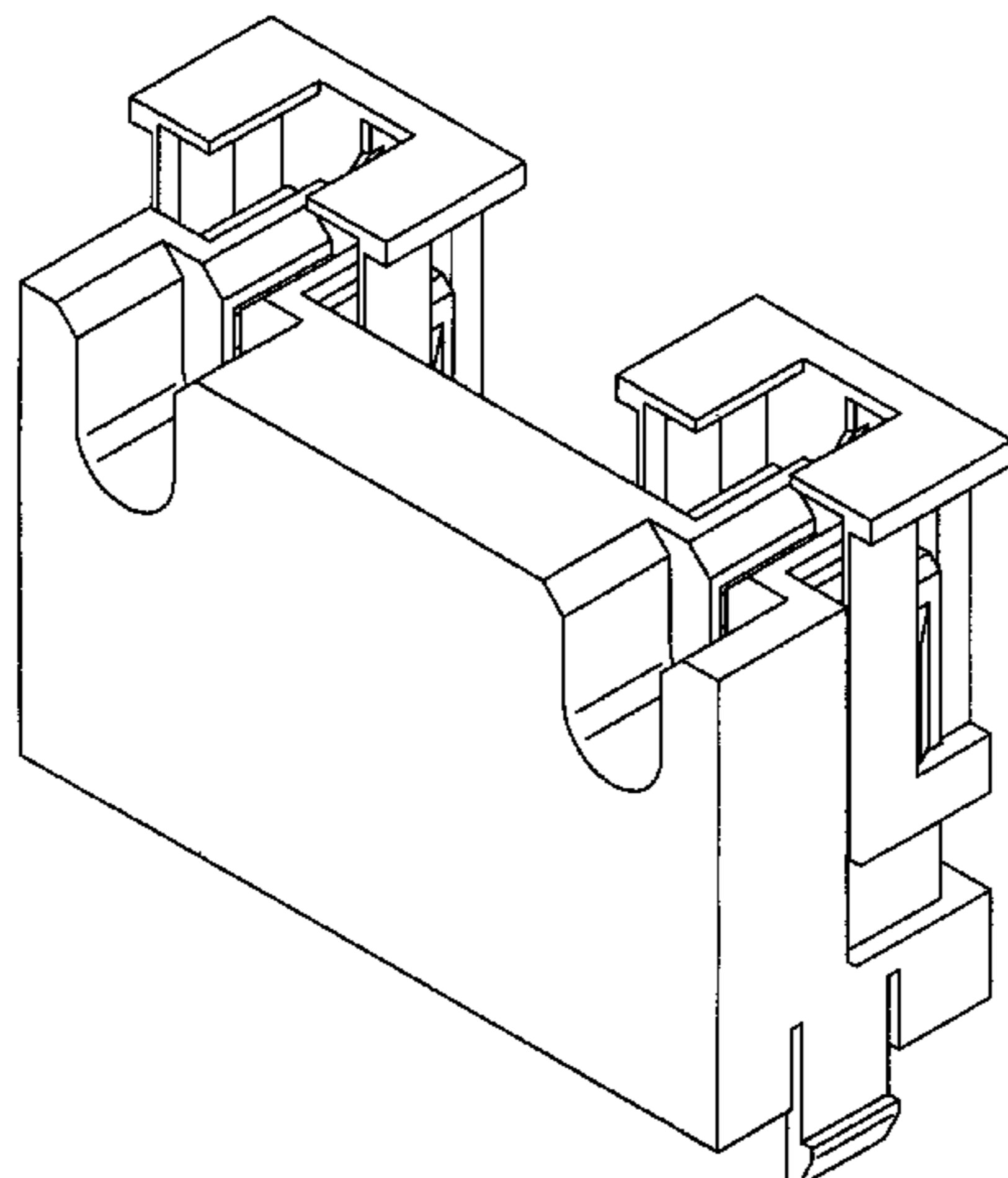
FIG. 13 is a cross-sectional view thereof, taken along line 13-13 of FIG. 6;

FIG. 14 is a cross-sectional view thereof, taken along line 14-14 of FIG. 6; and,

FIG. 15 is a cross-sectional view thereof, taken along line 15-15 of FIG. 9.

The broken line portion of the figure drawings is included to show unclaimed subject matter only and forms no part of the claimed design; and, the special dot-dash broken line in FIG. 4 defines the bounds of the claimed design.

1 Claim, 15 Drawing Sheets



US D591,237 S

Page 2

U.S. PATENT DOCUMENTS							
				7,097,327	B1 *	8/2006	Barton 362/260
D491,890	S *	6/2004	Henrici et al.	2003/0068913	A1 *	4/2003	Henrici et al. 439/239
D493,425	S *	7/2004	Henrici et al.	2006/0067072	A1 *	3/2006	Zonta 362/217
6,769,789	B1 *	8/2004	Won et al.				

* cited by examiner

Fig. 1

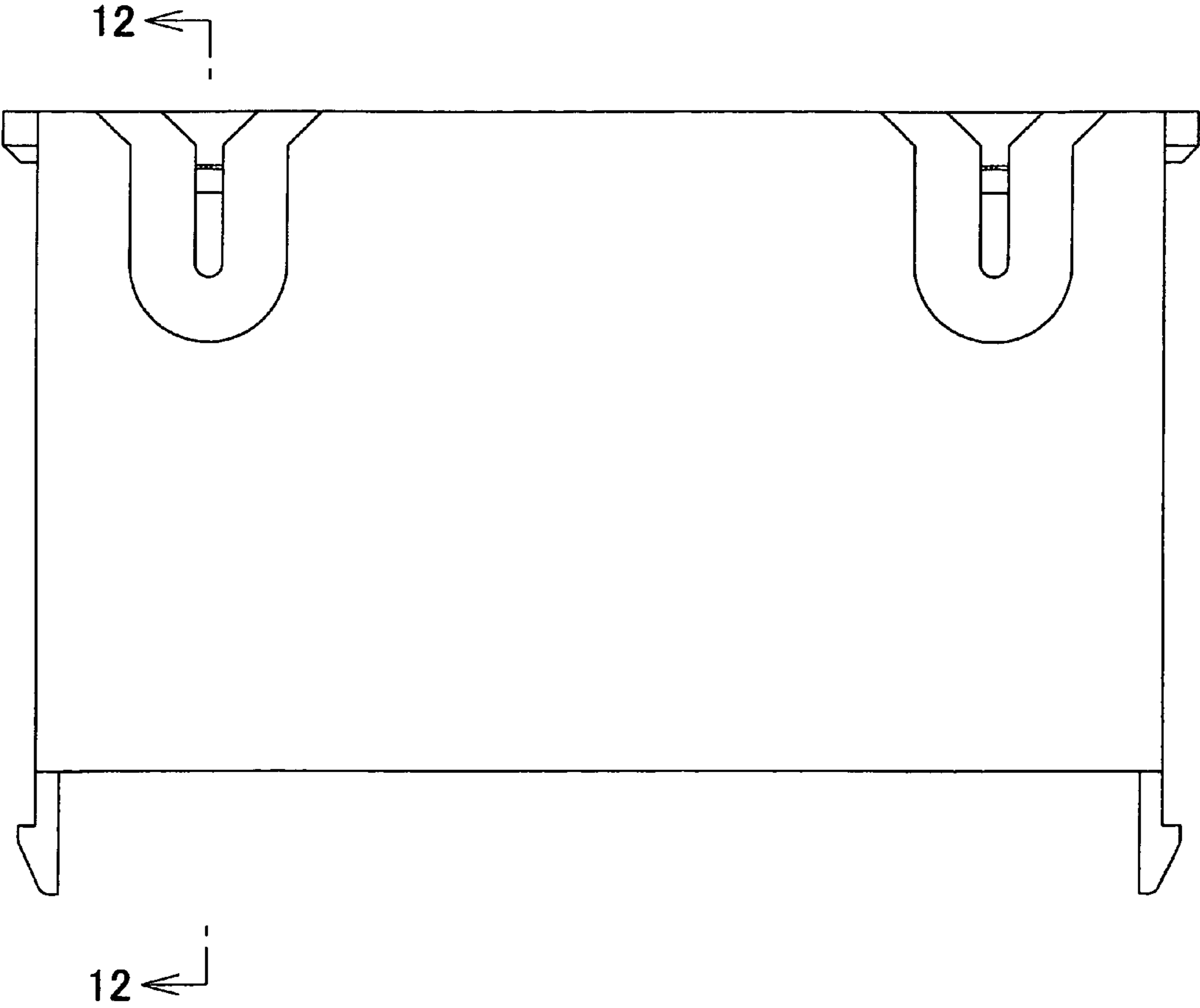


Fig. 2

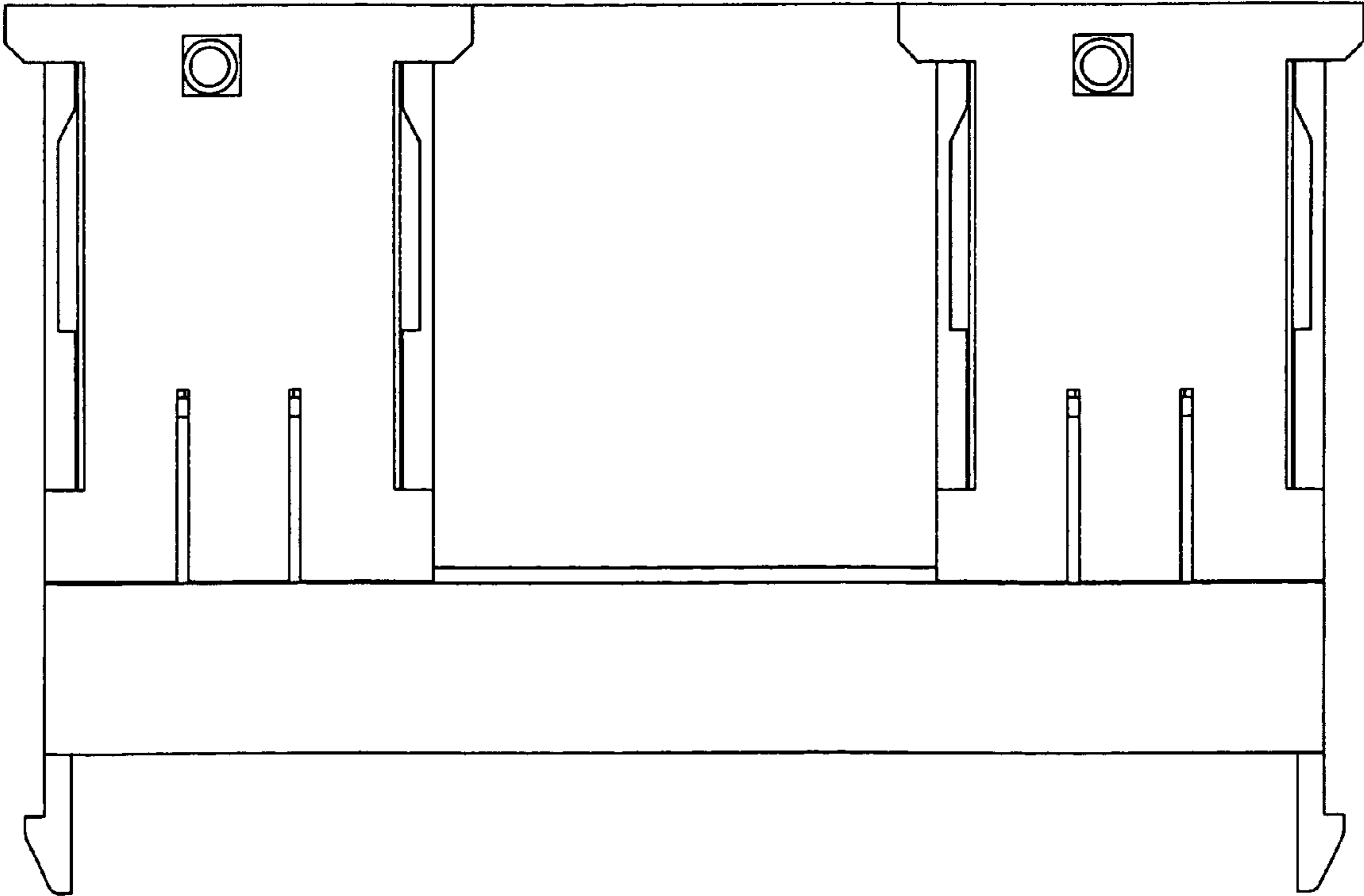


Fig. 3

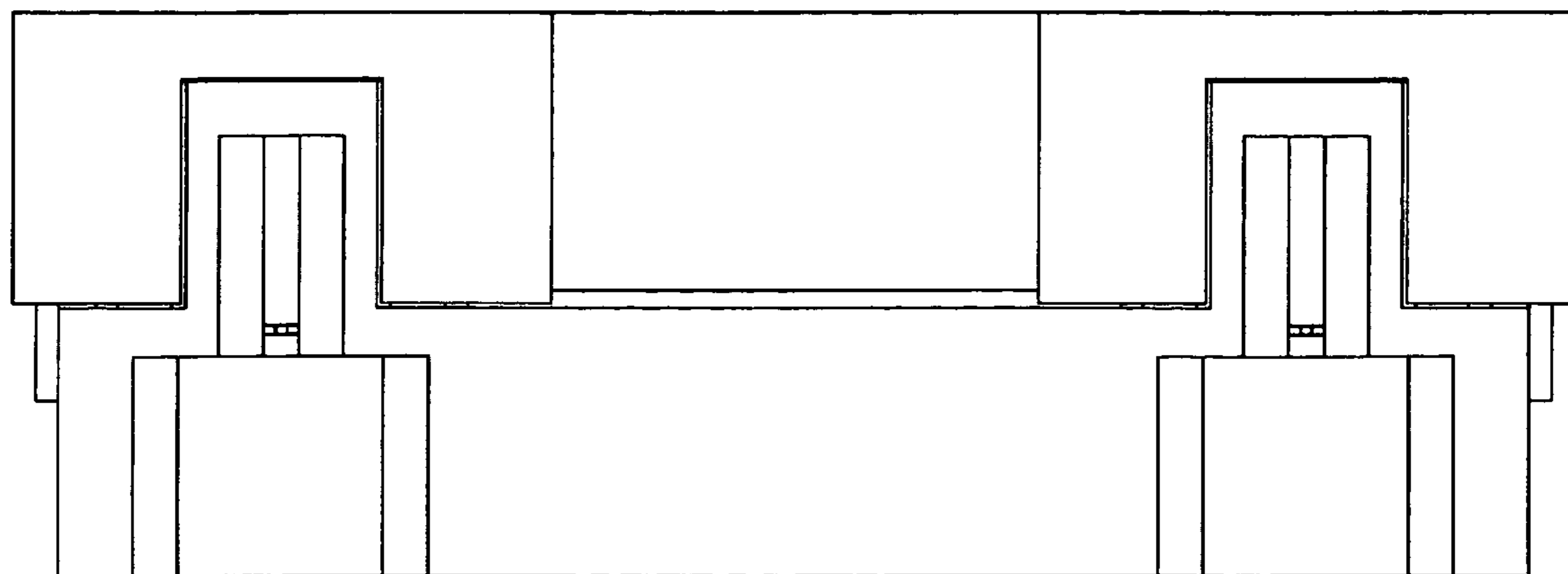


Fig. 4

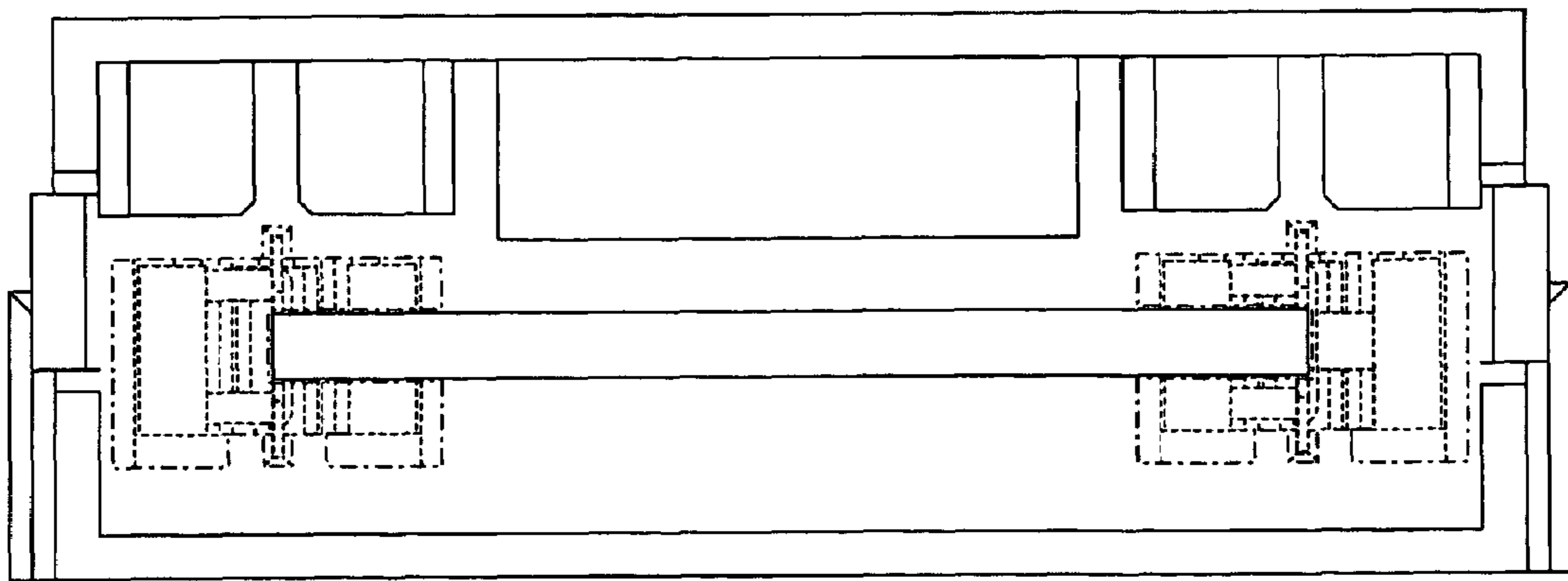


Fig. 5

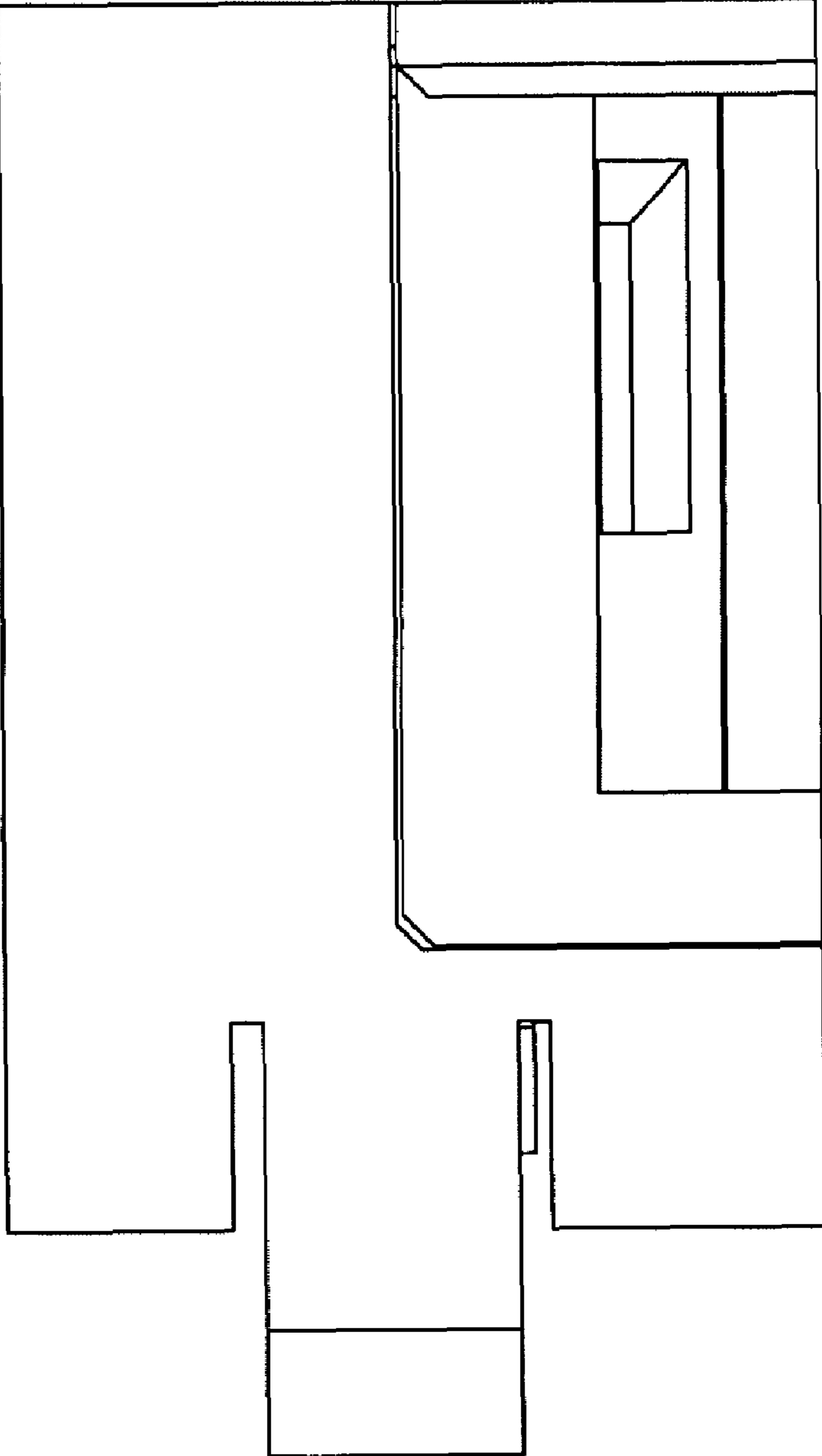


Fig. 6

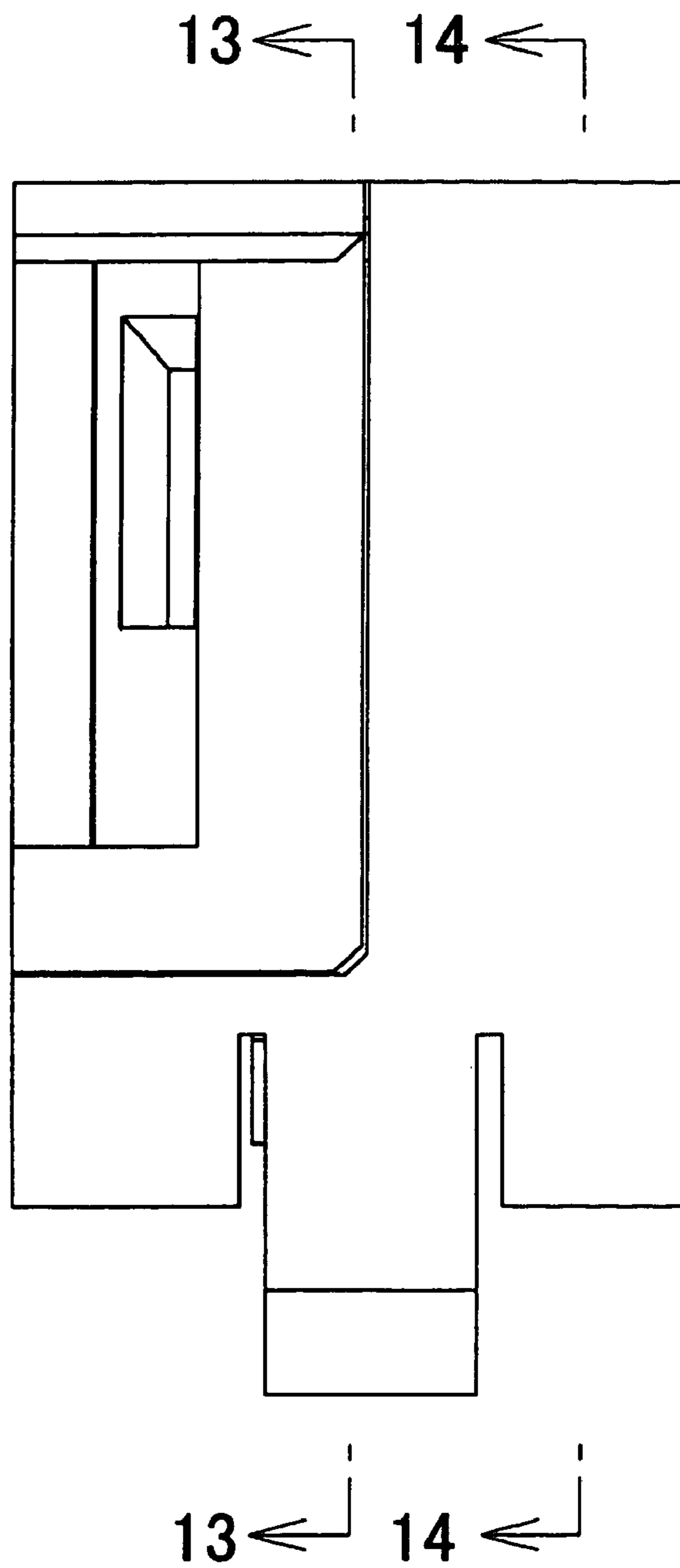


Fig. 7

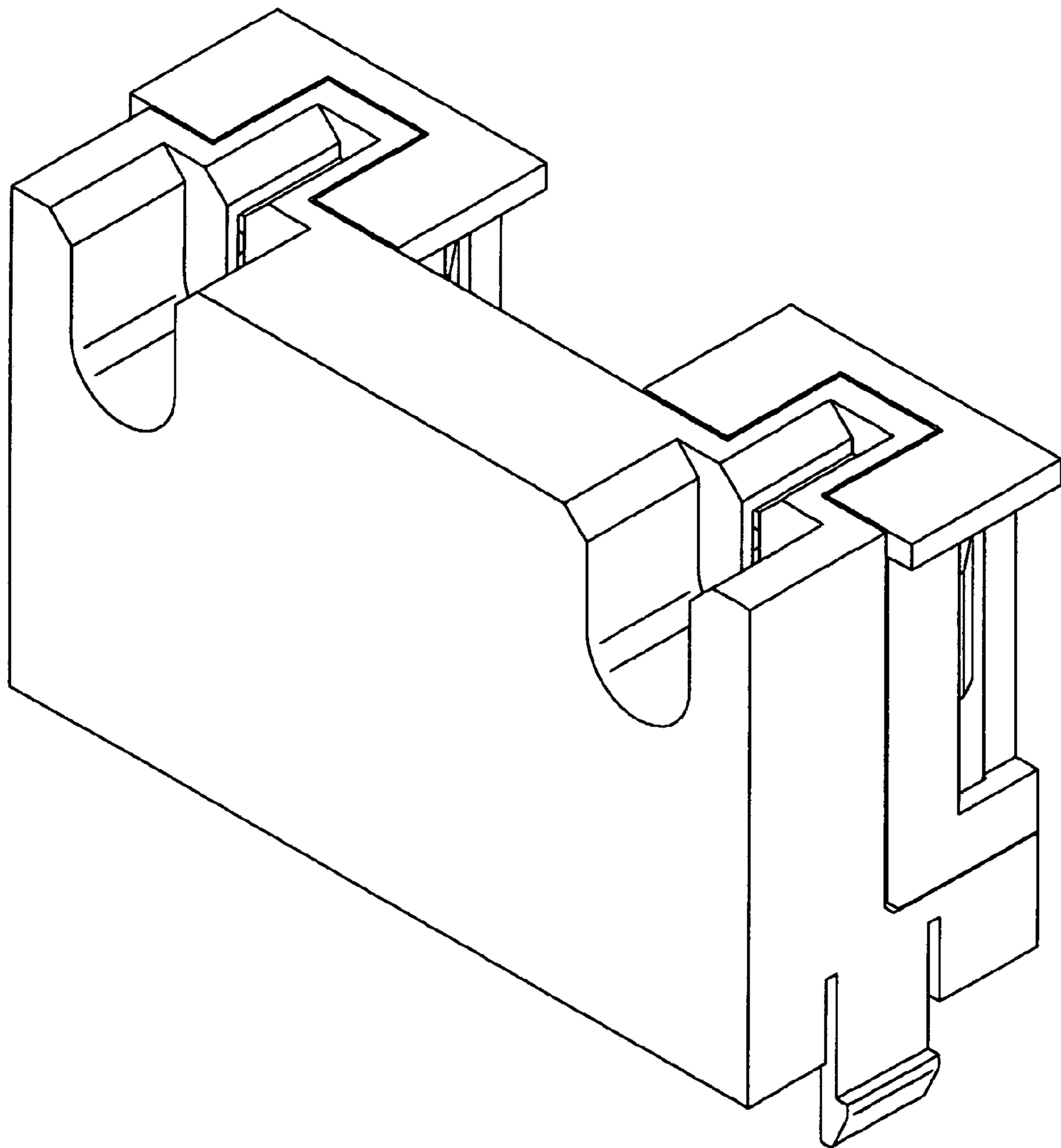


Fig. 8

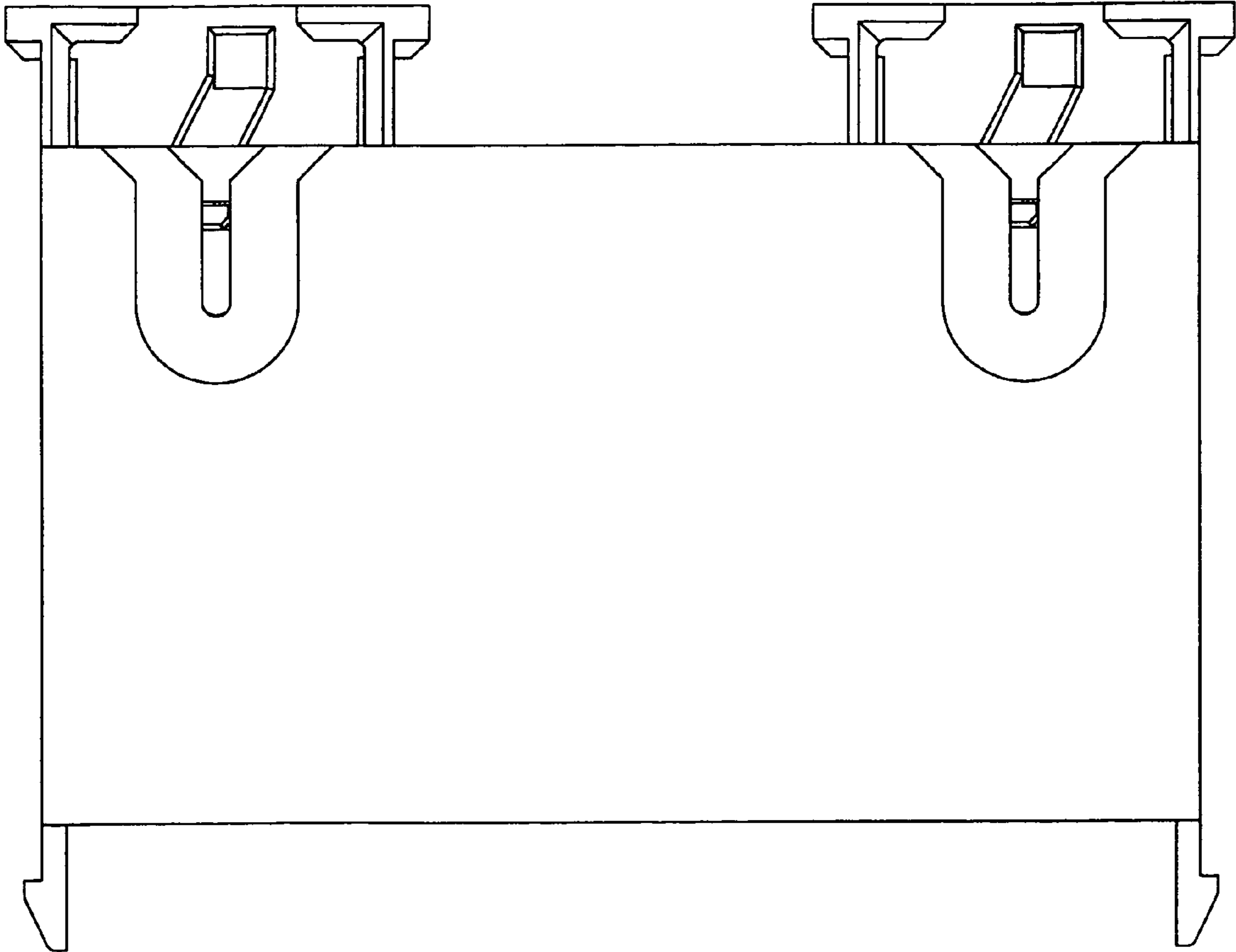


Fig. 9

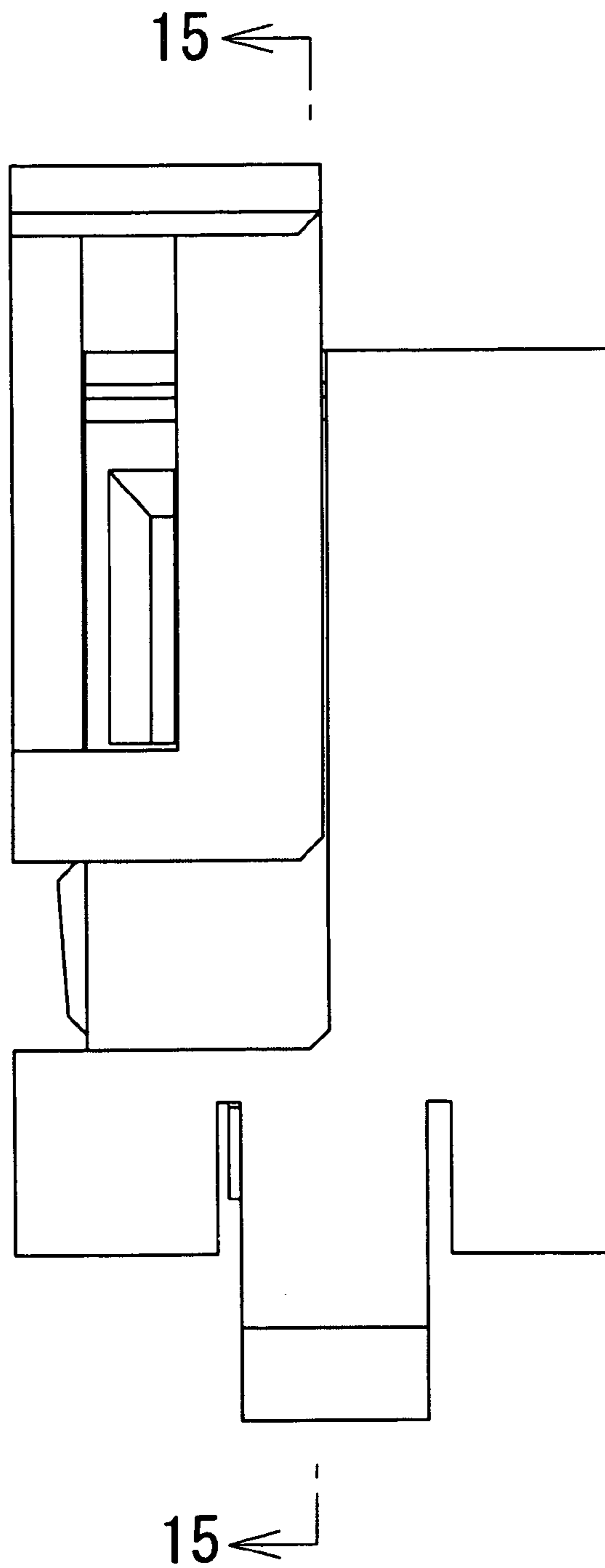


Fig. 10

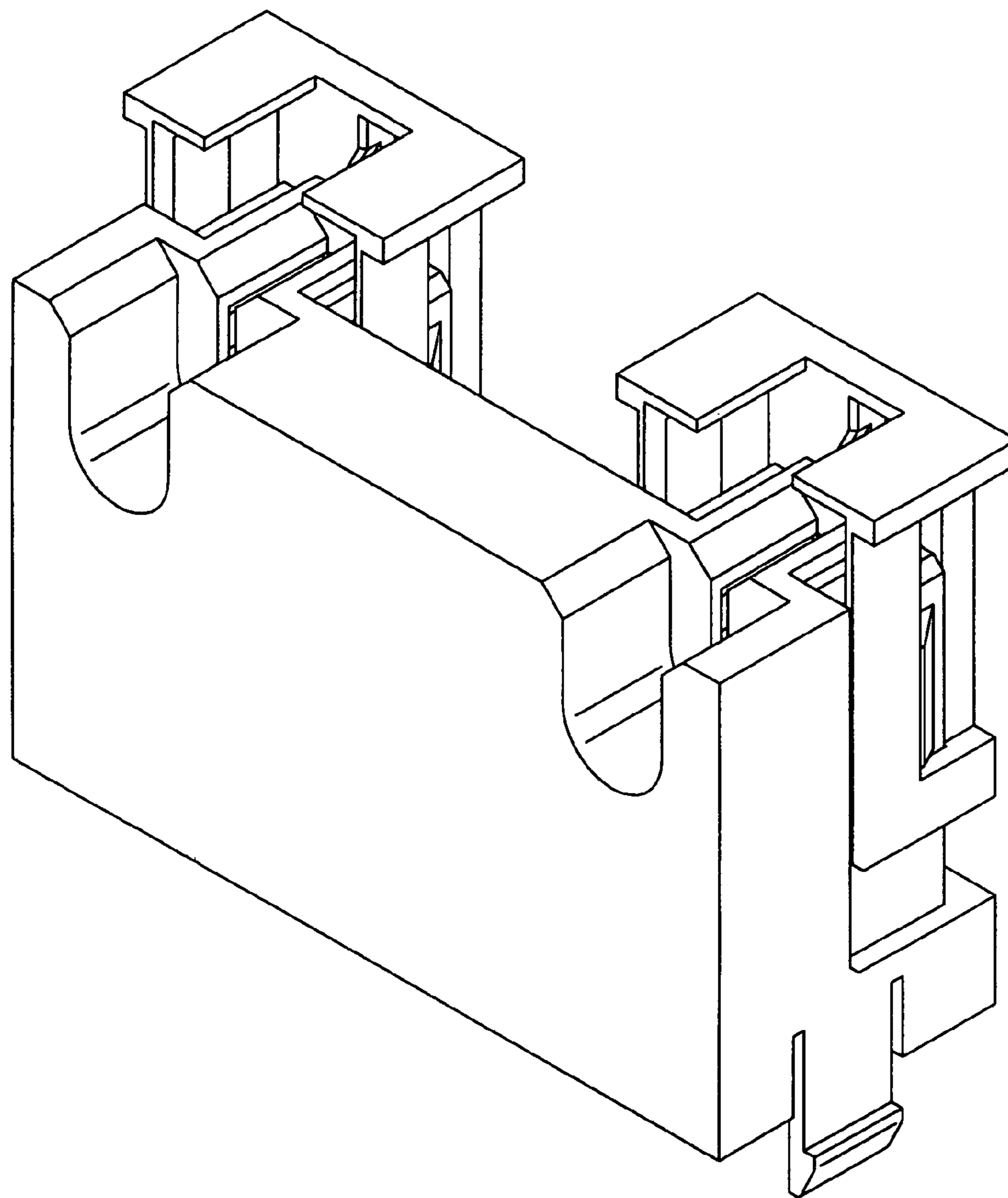


Fig. 11

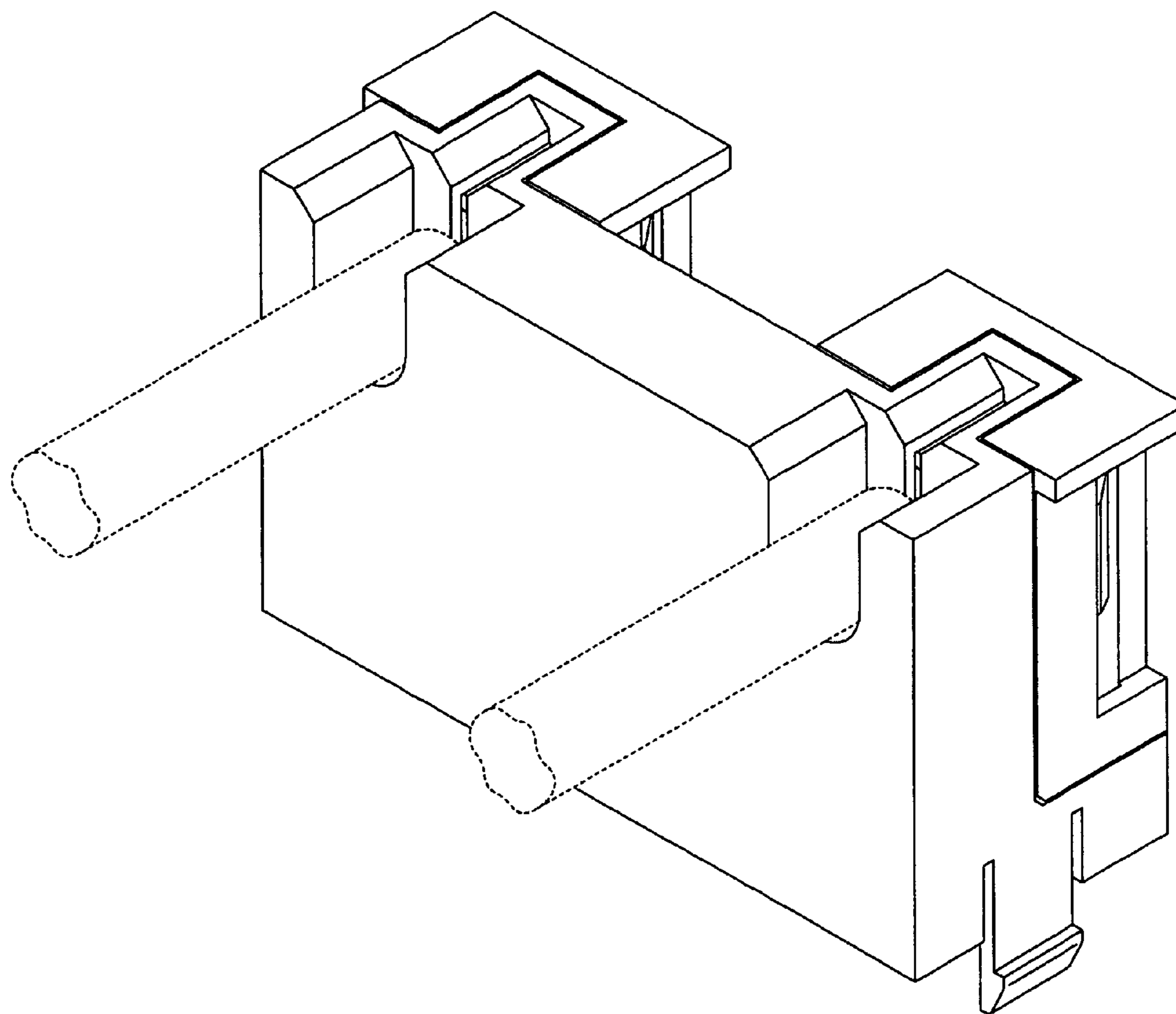


Fig. 12

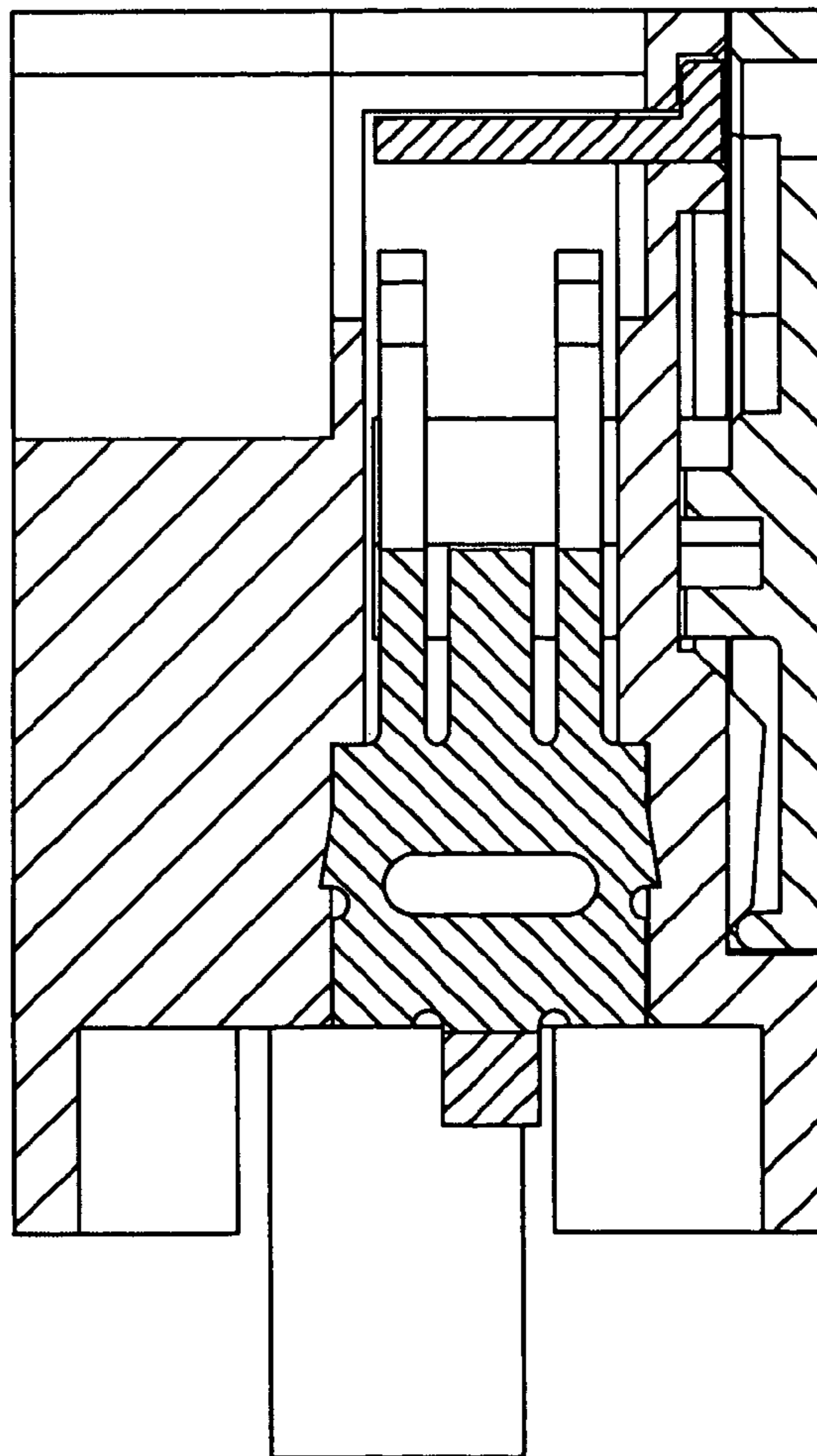


Fig. 13

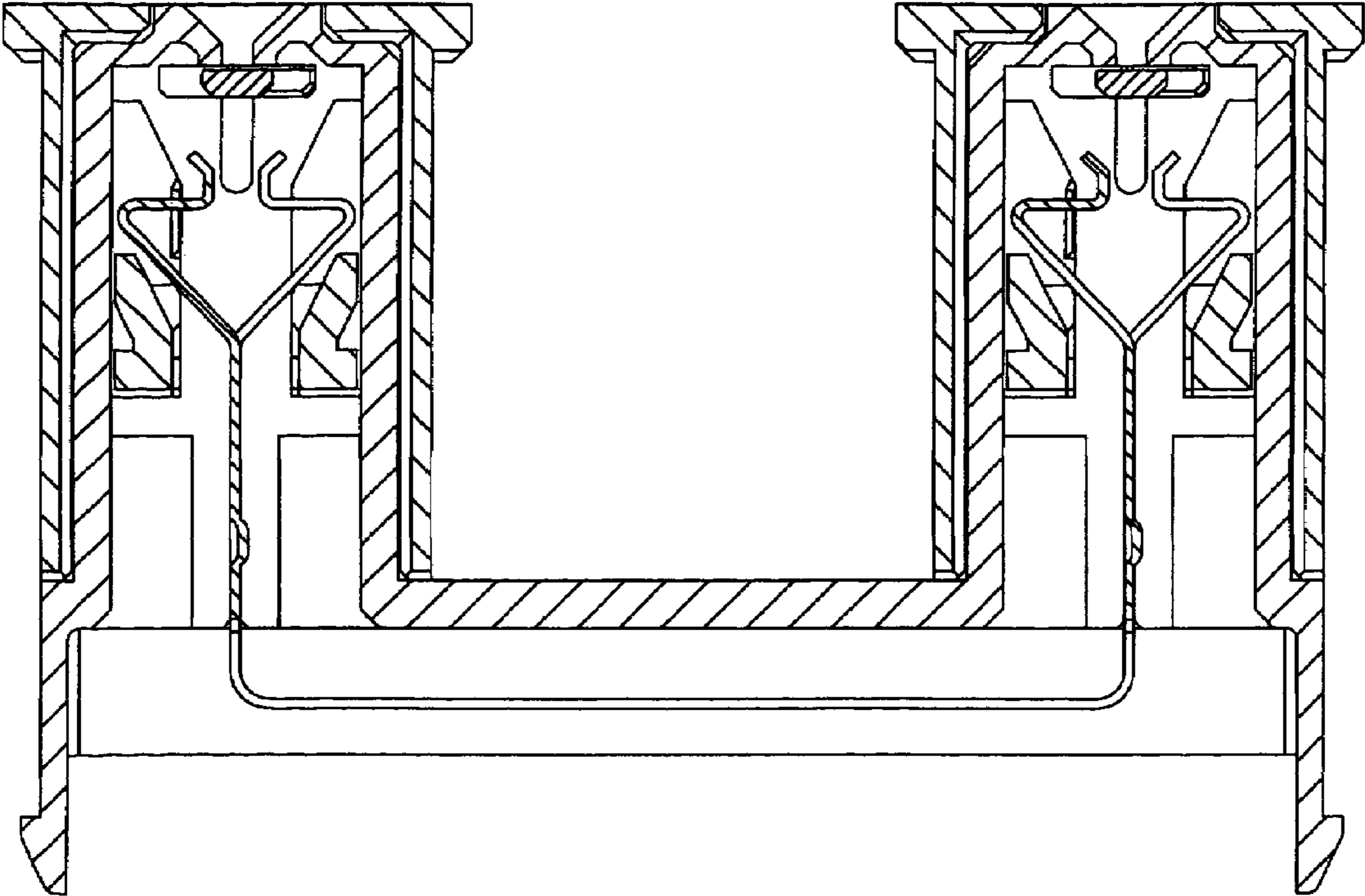


Fig. 14

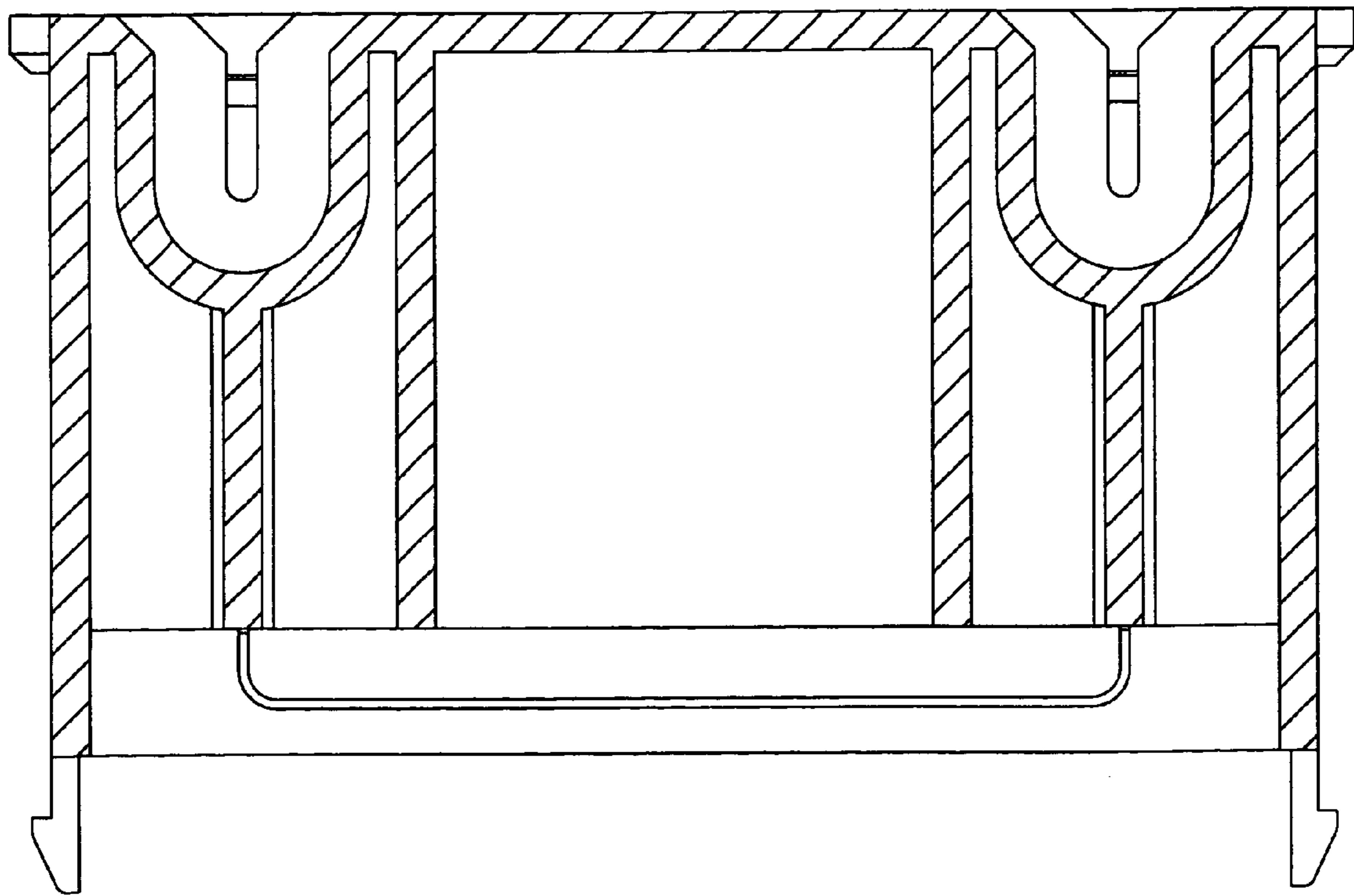


Fig. 15

