



US00D591236S

(12) **United States Design Patent**  
**Wong**

(10) **Patent No.:** **US D591,236 S**  
(45) **Date of Patent:** **\*\* Apr. 28, 2009**

(54) **ELECTRONIC COMPONENT**

(76) Inventor: **Wing C. Wong**, 793 Shotgun Rd.,  
Sunrise, FL (US) 33326

(\*\*) Term: **14 Years**

(21) Appl. No.: **29/319,805**

(22) Filed: **Jun. 16, 2008**

(51) **LOC (9) Cl.** ..... **13-03**

(52) **U.S. Cl.** ..... **D13/133**

(58) **Field of Classification Search** ..... D13/133,  
D13/146, 147, 154, 184, 199; 439/314-322,  
439/680, 752

See application file for complete search history.

(56) **References Cited**

U.S. PATENT DOCUMENTS

2,476,404	A *	7/1949	Del Camp	.....	439/843
2,499,296	A *	2/1950	Buchanan	.....	439/848
D261,504	S *	10/1981	Hollingsworth	.....	D13/133
D278,230	S *	4/1985	Kominiak et al.	.....	D13/133
D313,392	S *	1/1991	Sachs	.....	D13/133
4,995,836	A *	2/1991	Toramoto	.....	439/675
D337,990	S *	8/1993	Wright	.....	D13/133
5,575,666	A *	11/1996	Dent	.....	439/82
D387,729	S *	12/1997	Huska	.....	D13/133
D550,625	S *	9/2007	Osborn et al.	.....	D13/133
D585,376	S *	1/2009	Badger	.....	D13/133

\* cited by examiner

*Primary Examiner*—Daniel D Bui

*Assistant Examiner*—Thomas J Johannes

(74) *Attorney, Agent, or Firm*—Gold & Rizvi, P.A.; Glenn E. Gold; H. John Rizvi

(57) **CLAIM**

I claim the ornamental design for a electronic component, as shown and described.

**DESCRIPTION**

FIG. 1 is a top, front perspective view of an electronic component;

FIG. 2 is a bottom, rear perspective view of the electronic component;

FIG. 3 is a front view thereof;

FIG. 4 is a top elevated view thereof;

FIG. 5 is a left elevated view thereof;

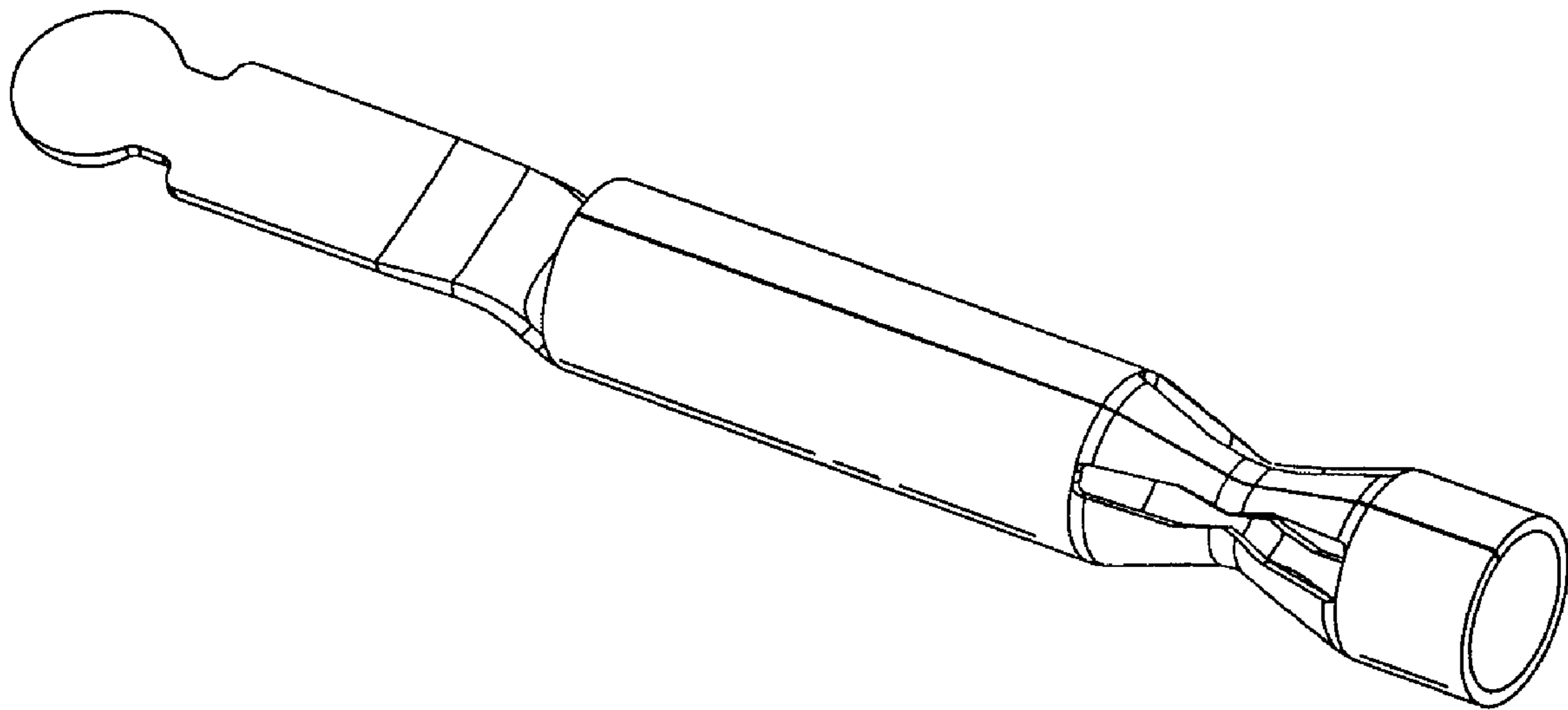
FIG. 6 is a right elevated view thereof;

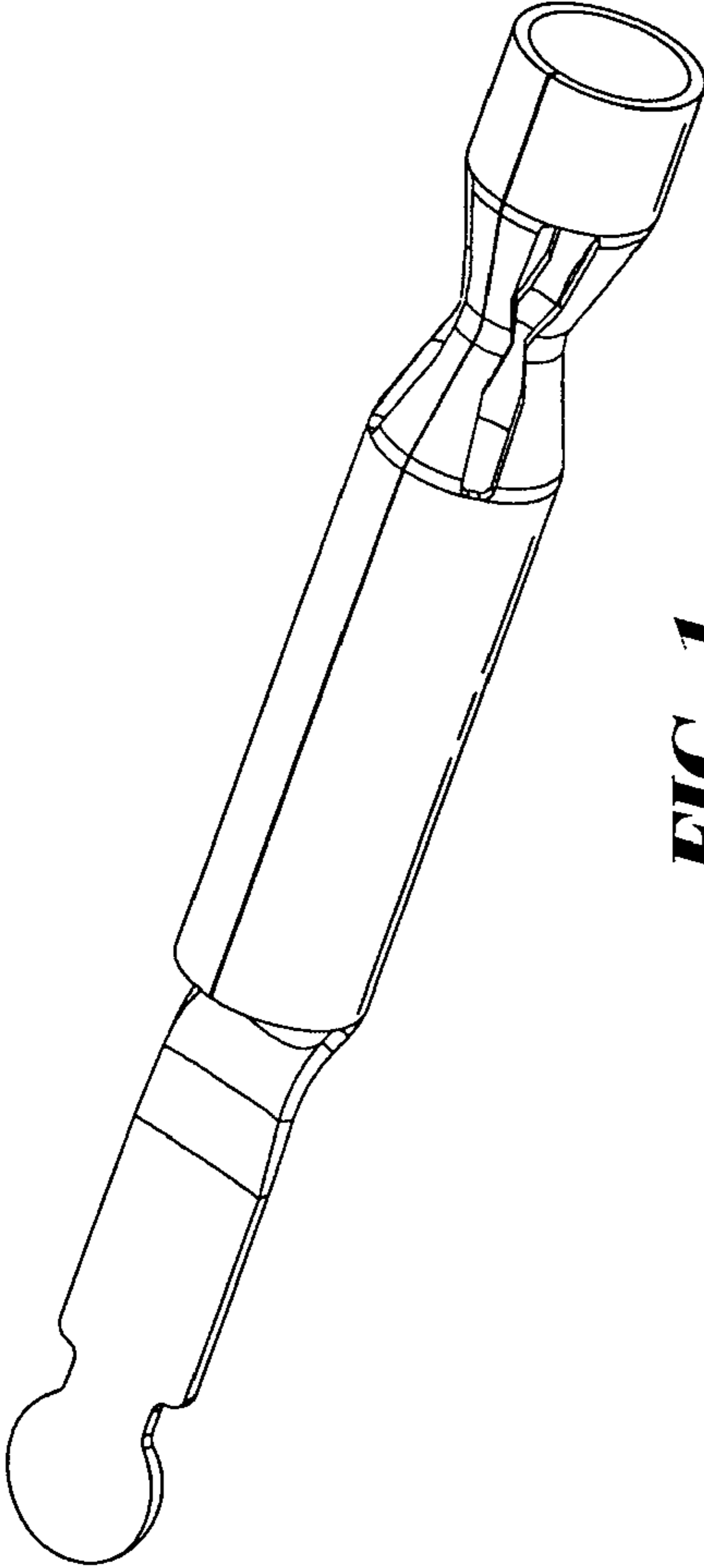
FIG. 7 is a rear elevated view thereof;

FIG. 8 is a bottom view thereof; and,

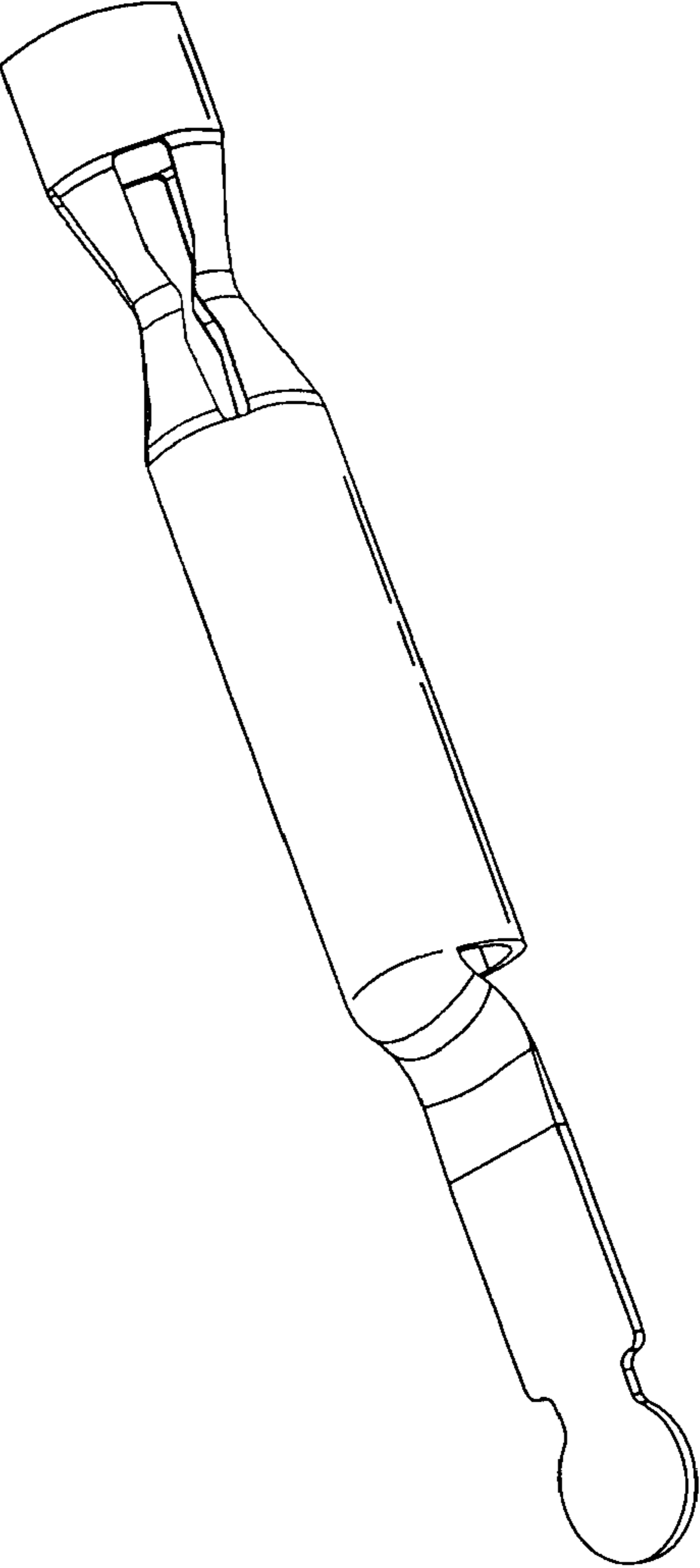
FIG. 9 is a magnified section of an opening located along the 45 degree orientation proximate the right side of the electronic component.

**1 Claim, 3 Drawing Sheets**





**FIG. 1**



**FIG. 2**

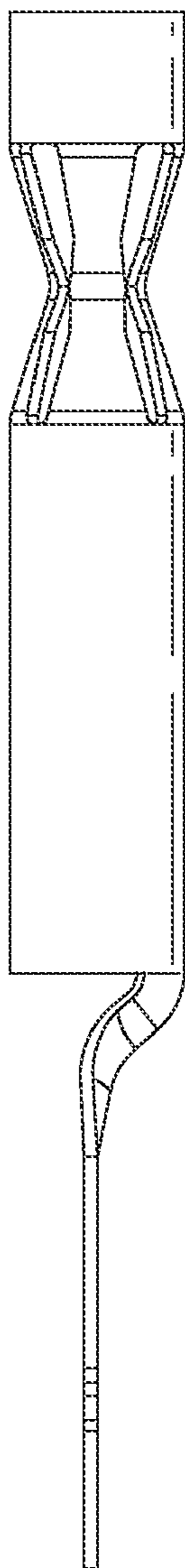


FIG. 3

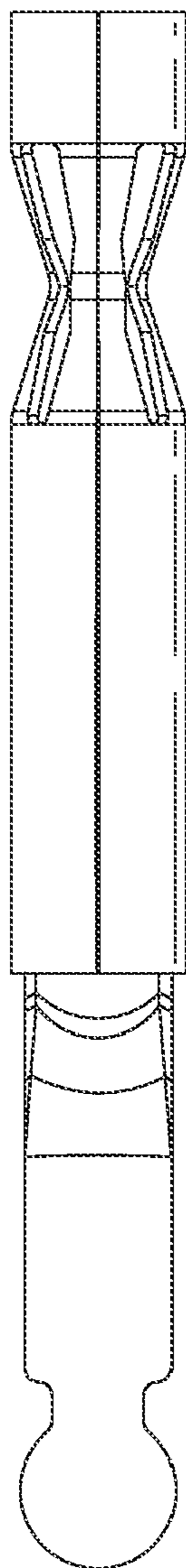


FIG. 4

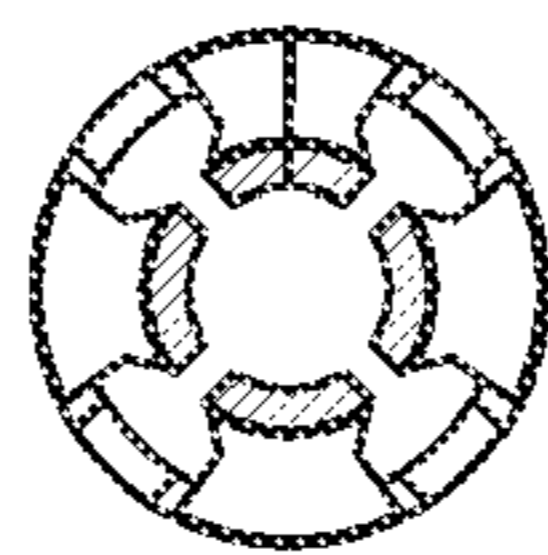


FIG. 6

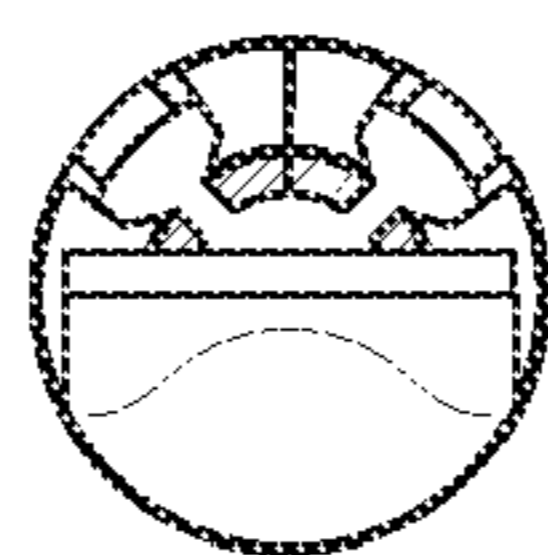


FIG. 5

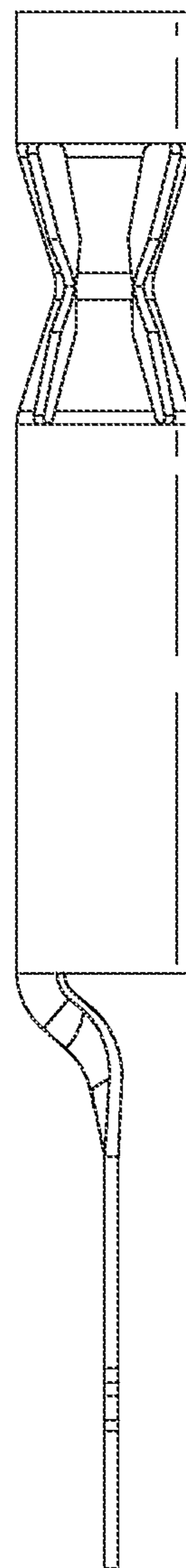


FIG. 7

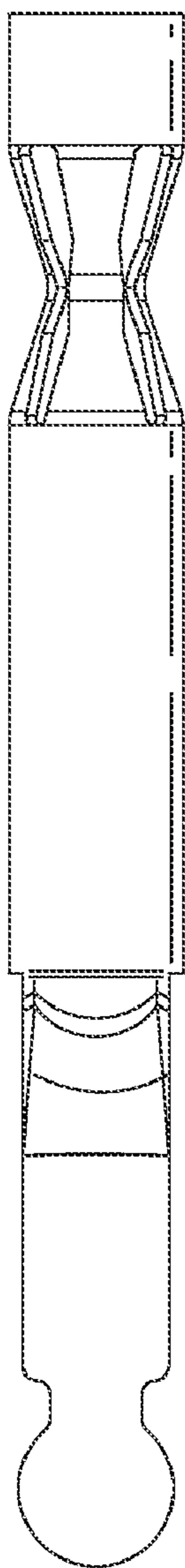


FIG. 8

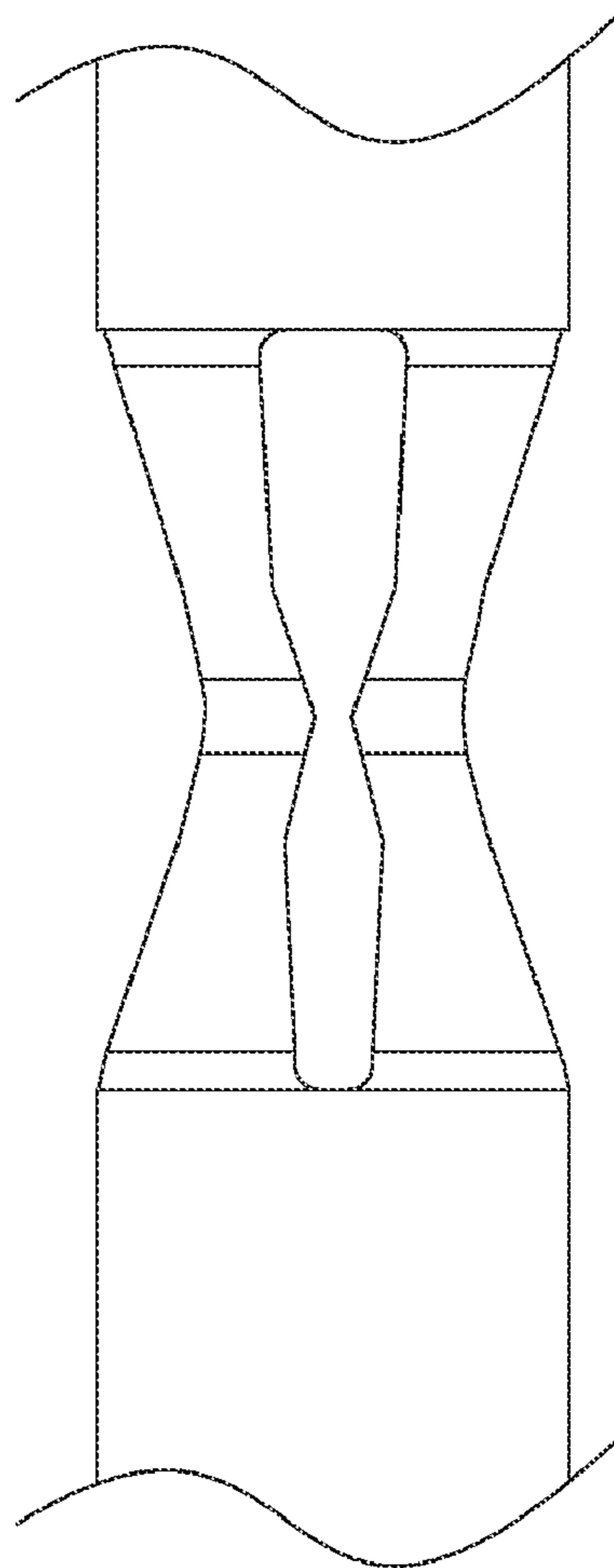


FIG. 9