



US00D591234S

(12) **United States Design Patent**
Unno

(10) **Patent No.:** **US D591,234 S**
(45) **Date of Patent:** **** Apr. 28, 2009**

(54) **WINDMILL**

(75) Inventor: **Yuji Unno**, Tokyo (JP)

(73) Assignee: **Seabell International Co. Ltd.**, Tokyo (JP)

(**) Term: **14 Years**

(21) Appl. No.: **29/301,250**

(22) Filed: **Feb. 19, 2008**

(51) **LOC (9) Cl.** **13-01**

(52) **U.S. Cl.** **D13/115**

(58) **Field of Classification Search** D13/115,
D13/118, 122, 199; D15/1, 5; 415/56.3,
415/191, 209.4, 916; 416/37, 38, 141, 142,
416/176, 177, 196 A

See application file for complete search history.

(56) **References Cited**

U.S. PATENT DOCUMENTS

2,006,024	A *	6/1935	Lockwood	416/110
3,924,966	A *	12/1975	Taminini	416/177
D252,572	S *	8/1979	Hanson	D15/1
4,180,372	A *	12/1979	Lippert, Jr.	416/23
4,247,253	A *	1/1981	Seki et al.	416/44
D342,074	S *	12/1993	Burns	D15/1
6,726,439	B2 *	4/2004	Mikhail et al.	415/4.1

D508,893	S *	8/2005	Kato et al.	D13/115
D509,794	S *	9/2005	Okubo et al.	D13/115
D511,495	S *	11/2005	Okubo et al.	D13/115

* cited by examiner

Primary Examiner—Stella M Reid

Assistant Examiner—Derrick Holland

(74) *Attorney, Agent, or Firm*—Hodgson Russ LLP

(57) **CLAIM**

The ornamental design for a windmill, as shown and described.

DESCRIPTION

FIG. 1 is a perspective view of a windmill showing my new design;

FIG. 2 is a left-hand side elevational view thereof;

FIG. 3 is a front elevational view thereof;

FIG. 4 is a right-hand side elevational view thereof;

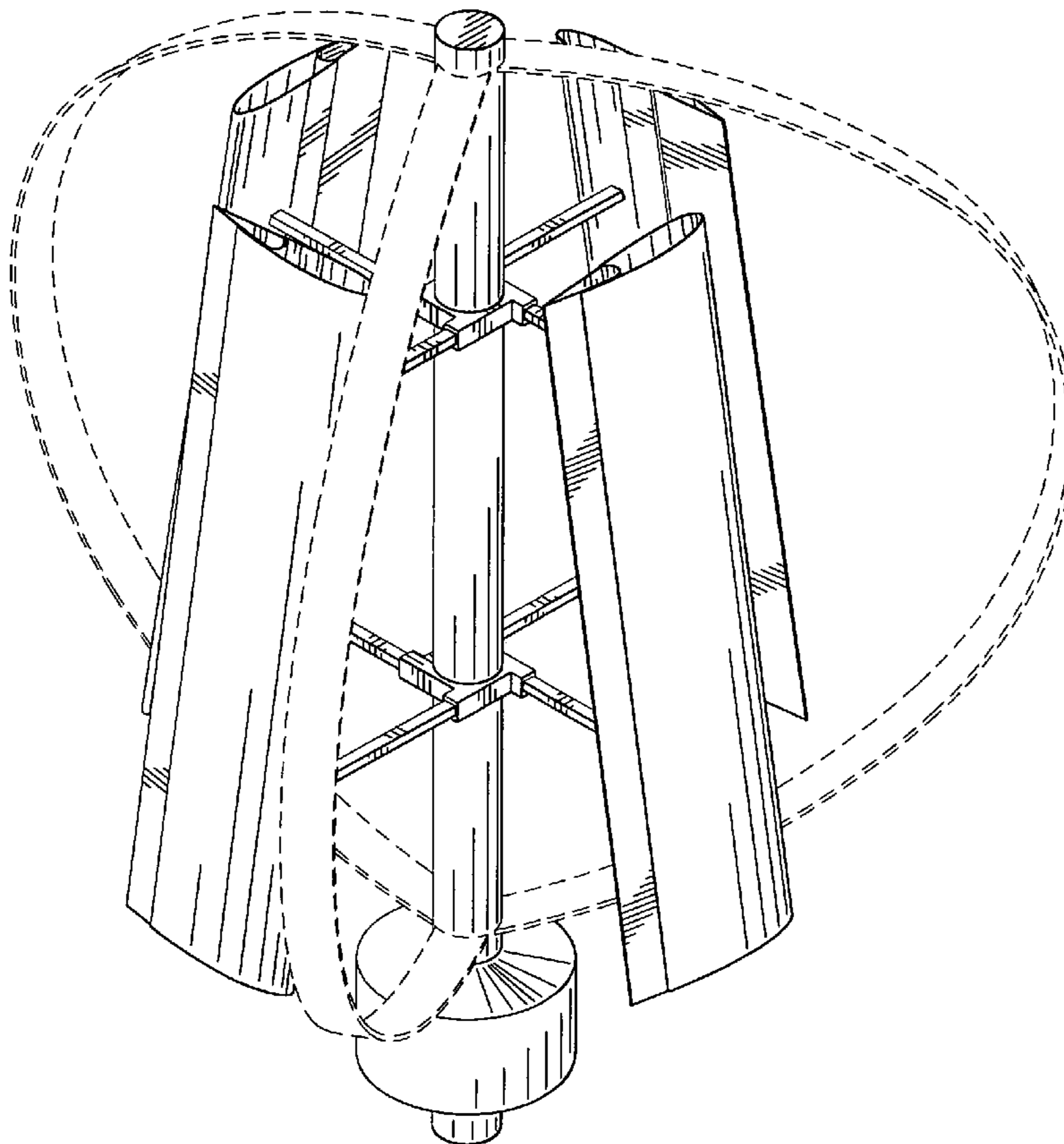
FIG. 5 is a rear elevational view thereof;

FIG. 6 is a top plan view thereof; and,

FIG. 7 is a bottom plan view thereof.

The broken line showing of Darrieus blades in FIGS. 1–7 is for illustrative purposes only and forms no part of the claimed design.

1 Claim, 7 Drawing Sheets



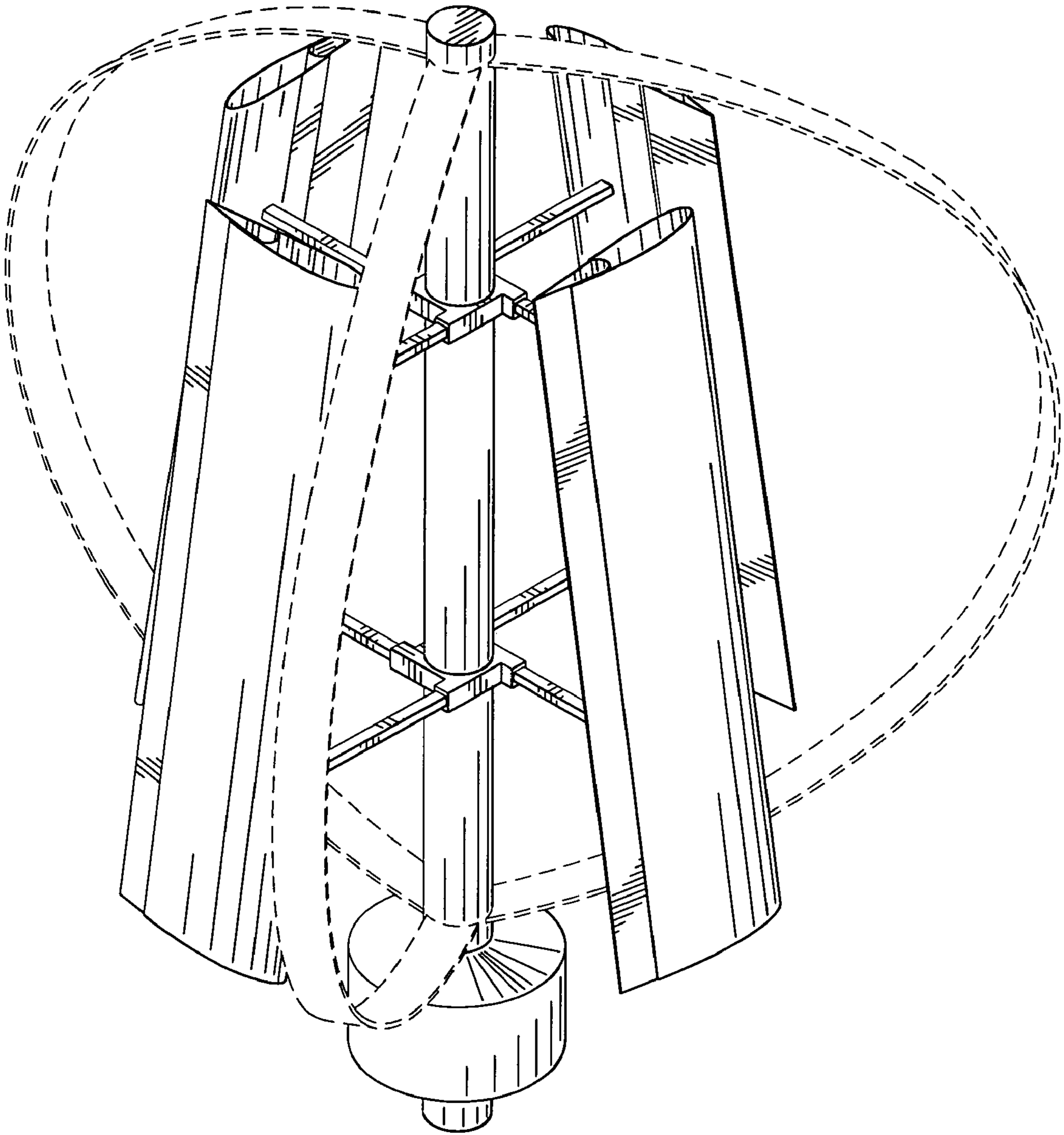


FIG. 1

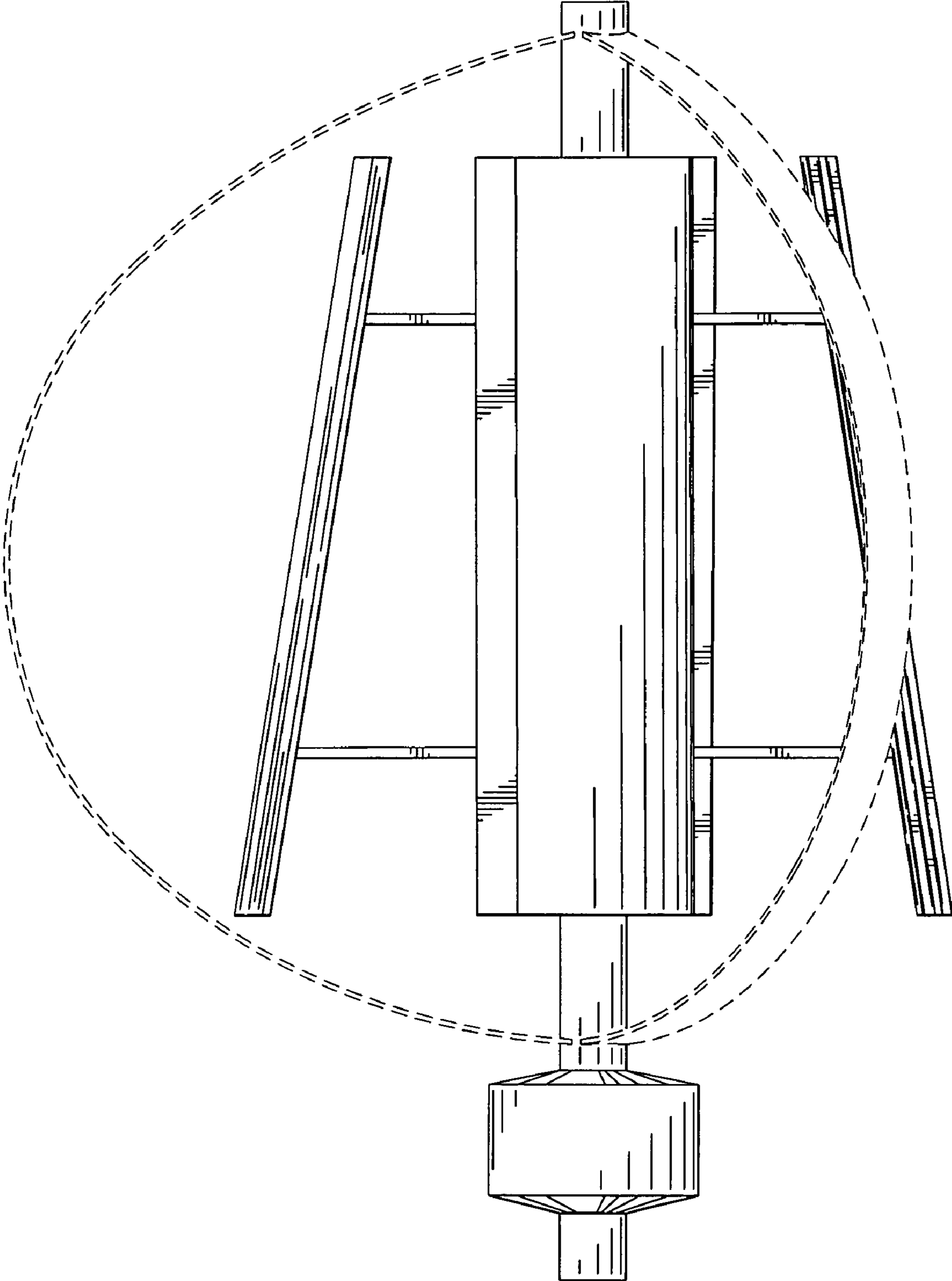


FIG. 2

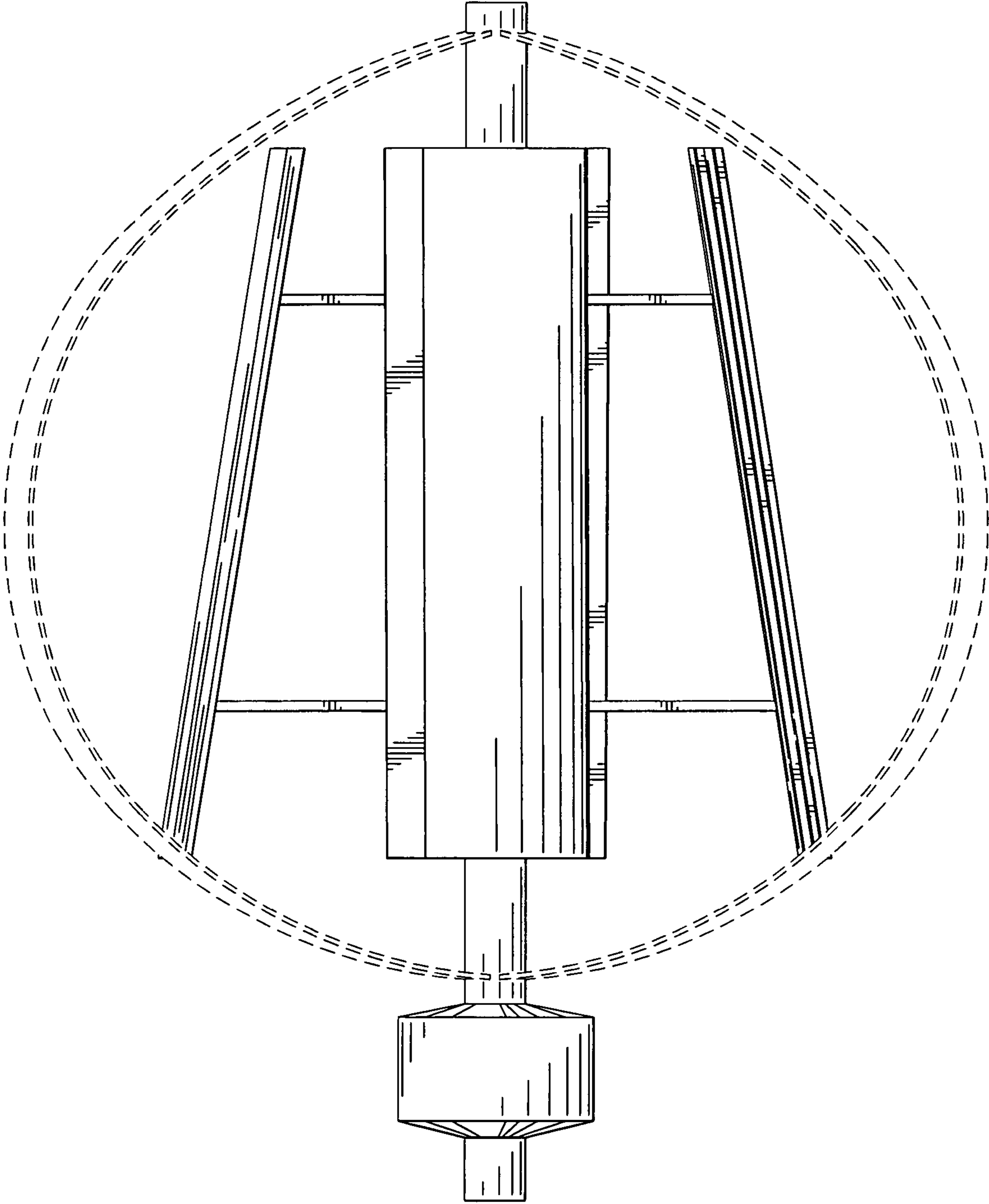


FIG. 3

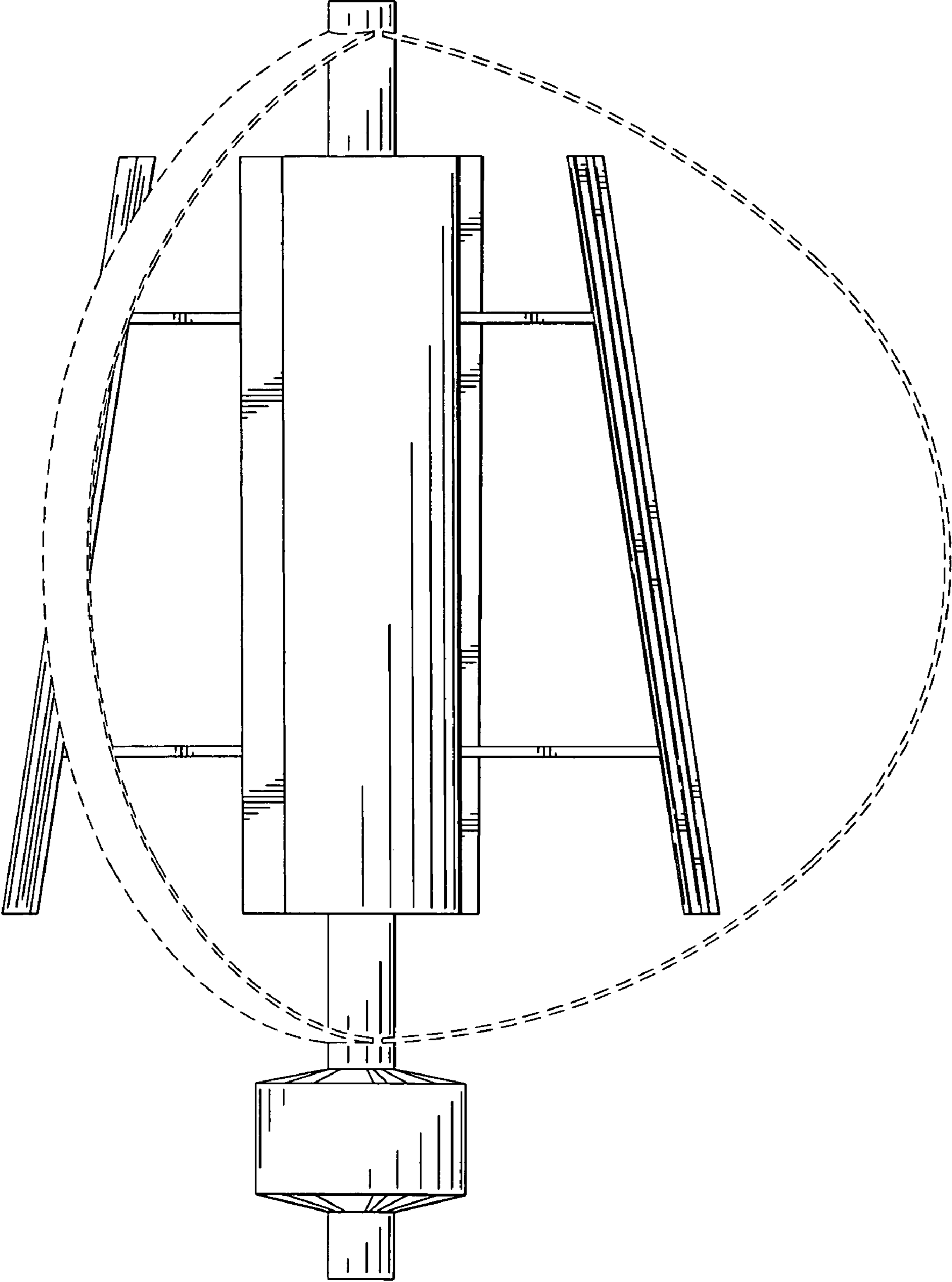


FIG. 4

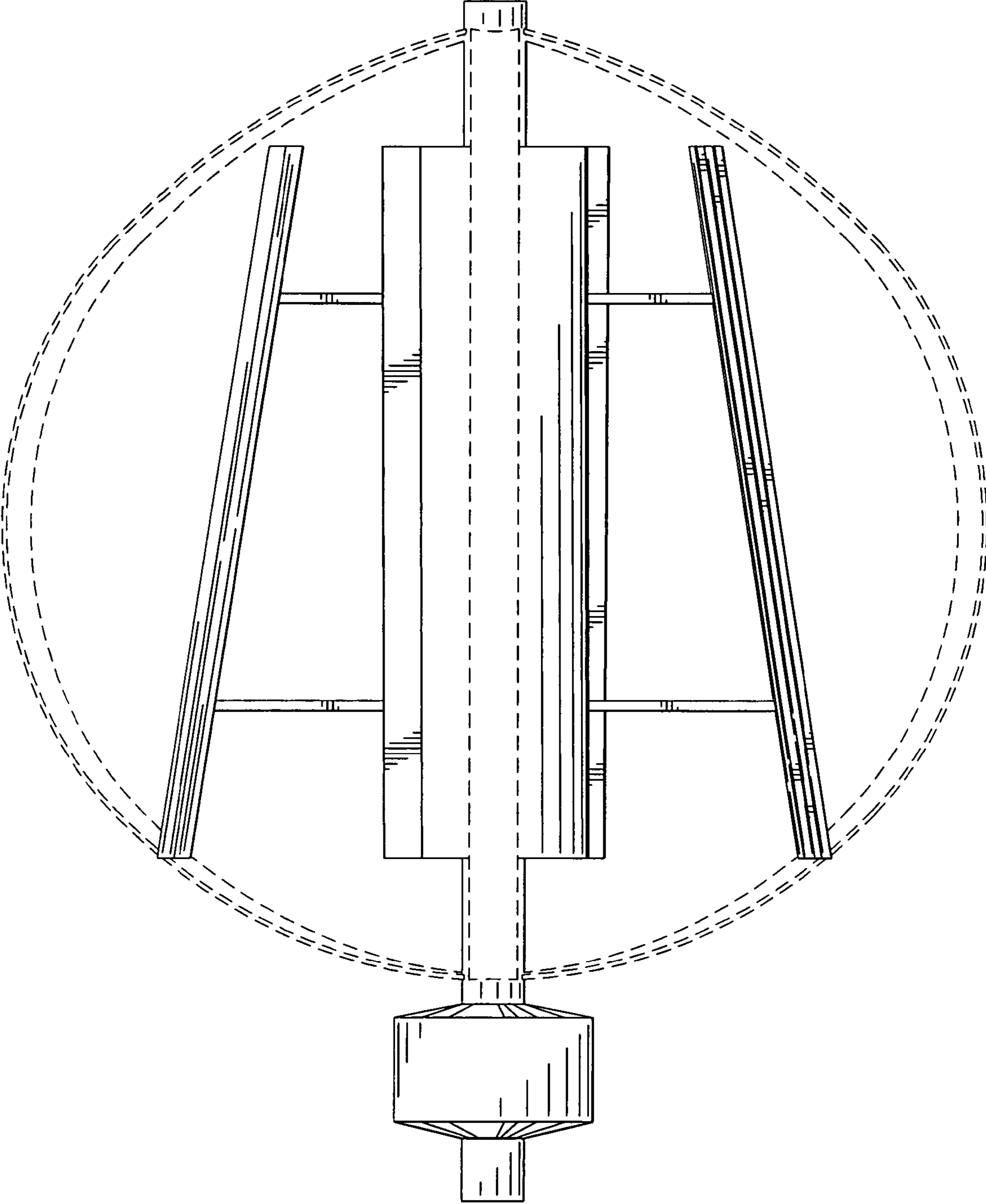


FIG. 5

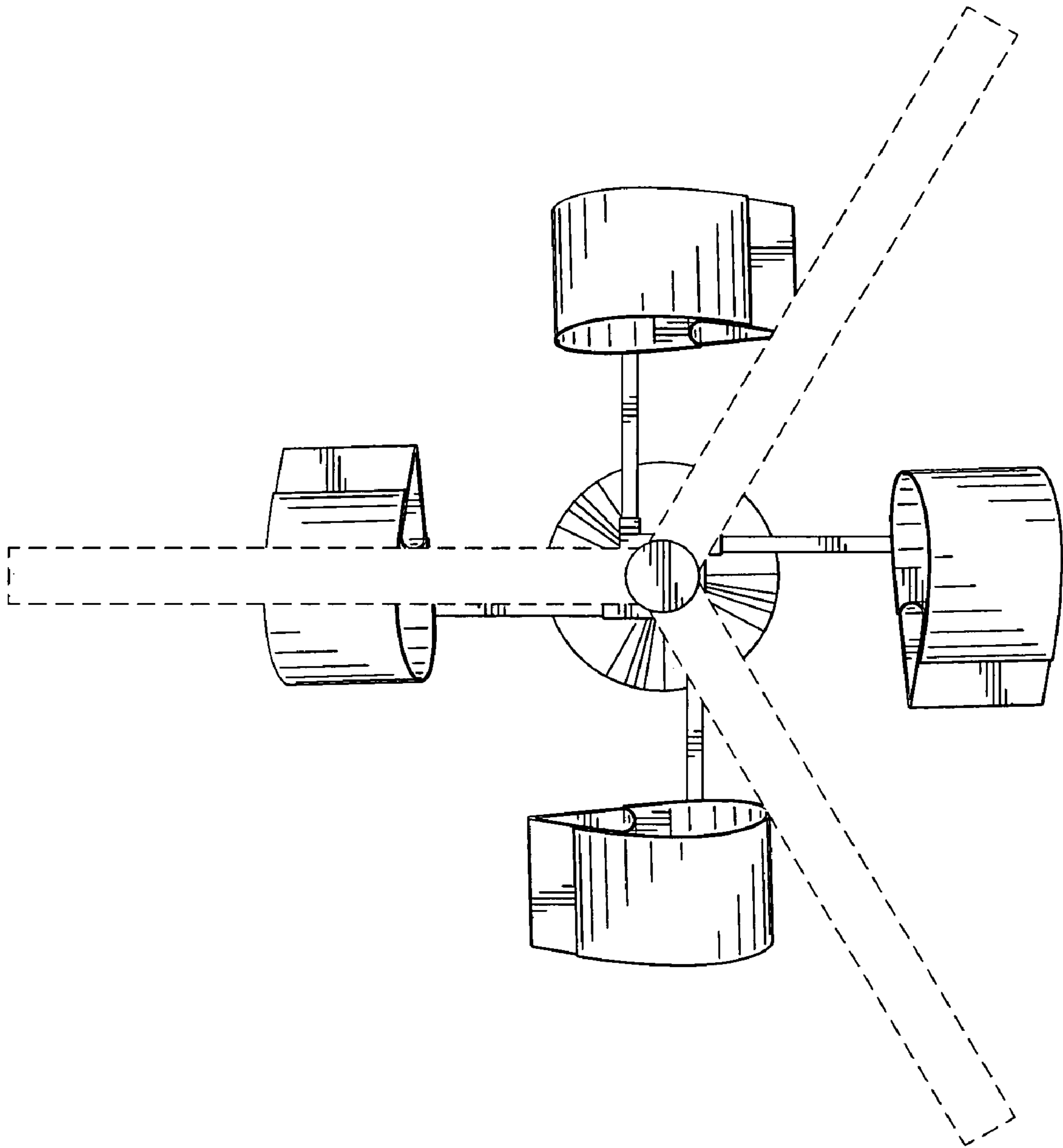


FIG. 6

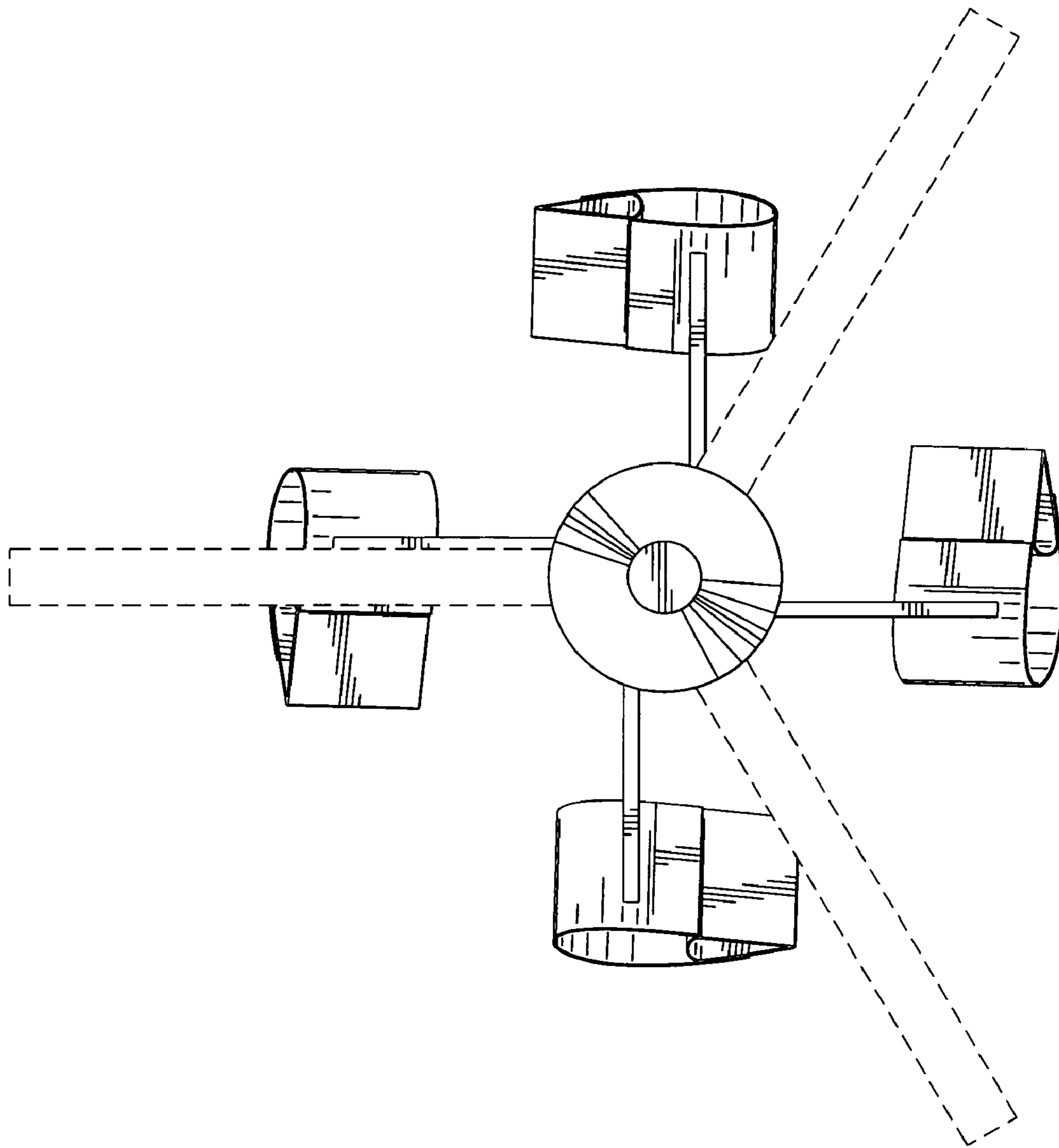


FIG. 7