

US00D591233S

(12) **United States Design Patent**  
**Kagami et al.**

(10) **Patent No.:** **US D591,233 S**

(45) **Date of Patent:** **\*\* Apr. 28, 2009**

(54) **CHARGING DEVICE**

(75) Inventors: **Junichi Kagami**, Tokyo (JP); **Janne Kettula**, Espoo (FI)

(73) Assignee: **Nokia Corporation**, Espoo (FI)

(\*\*) Term: **14 Years**

(21) Appl. No.: **29/318,018**

(22) Filed: **May 12, 2008**

(51) **LOC (9) Cl.** ..... **13-02**

(52) **U.S. Cl.** ..... **D13/108**

(58) **Field of Classification Search** ..... D13/107–110,  
D13/118–119, 137.1–139.8, 184; D14/251,  
D14/253, 432, 434; 320/107–115; 307/64,  
307/85, 150, 151; 363/143, 146; 439/152–160,  
439/484, 692, 694

See application file for complete search history.

(56) **References Cited**

**U.S. PATENT DOCUMENTS**

D347,617 S *	6/1994	Tattari	.....	D13/107
5,613,863 A *	3/1997	Klaus et al.	.....	439/131
D394,641 S *	5/1998	Seragnoli	.....	D13/108
D396,446 S *	7/1998	Kettula et al.	.....	D13/107
D406,259 S *	3/1999	Lindahl	.....	D13/110
D425,480 S *	5/2000	Jokinen	.....	D13/107
D432,497 S *	10/2000	Totsuka et al.	.....	D13/110
D449,030 S *	10/2001	Baxter et al.	.....	D13/110
D452,842 S *	1/2002	Kajiwara et al.	.....	D13/110

D481,674 S *	11/2003	Sade et al.	.....	D13/108
D517,985 S *	3/2006	Hirabayashi et al.	.....	D13/110
D544,833 S *	6/2007	Sade et al.	.....	D13/108
D562,766 S *	2/2008	Yang	.....	D13/110

\* cited by examiner

*Primary Examiner*—Cathron C Brooks

*Assistant Examiner*—Rosemary K Tarcza

(74) *Attorney, Agent, or Firm*—Banner & Witcoff, Ltd.

(57) **CLAIM**

The ornamental design for a charging device, as shown and described.

**DESCRIPTION**

FIG. 1 is a front perspective view of a charging device showing our new design;

FIG. 2 is a front view thereof;

FIG. 3 is a rear view thereof;

FIG. 4 is a right side view thereof;

FIG. 5 is a left side view thereof;

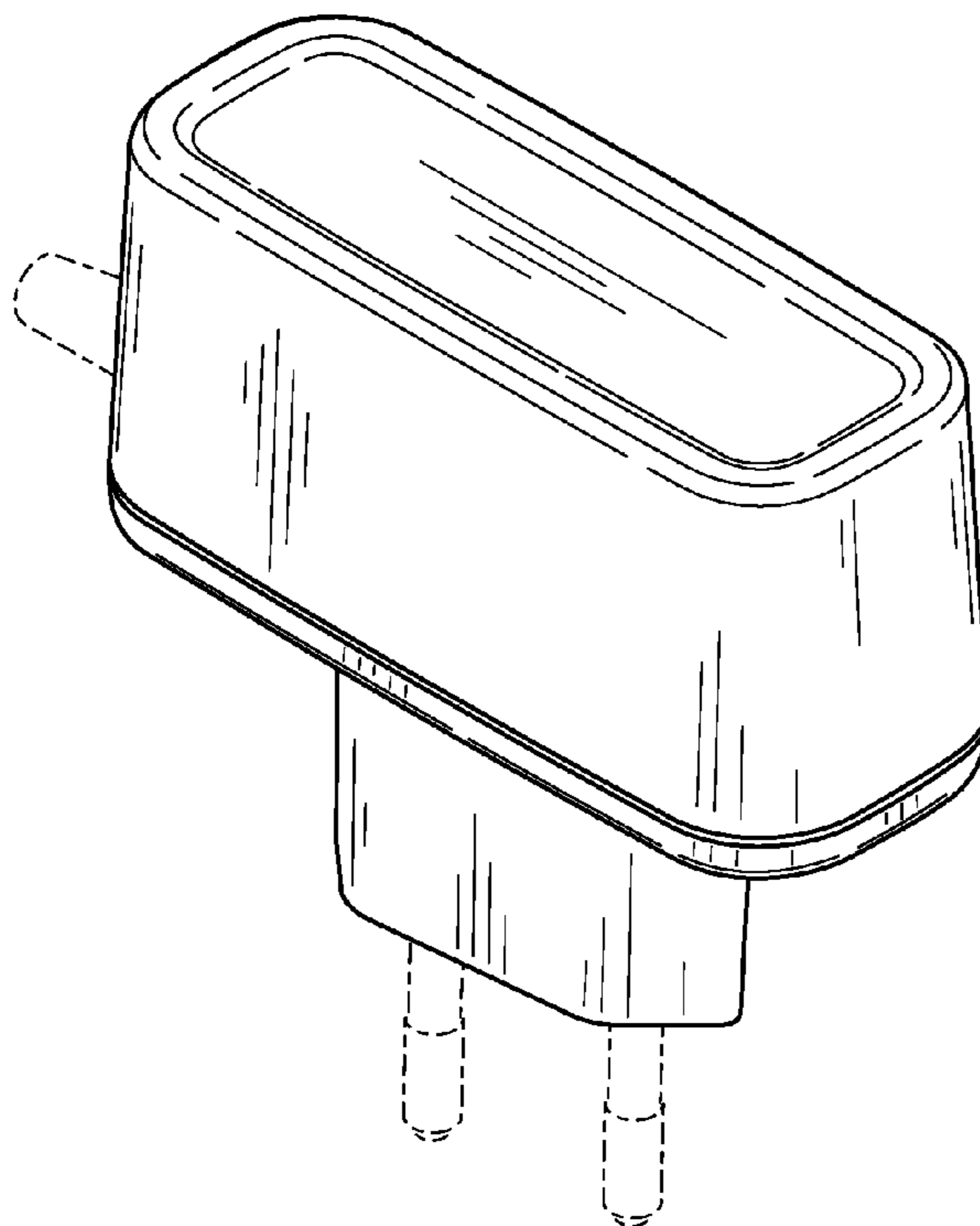
FIG. 6 is a top view thereof;

FIG. 7 is a bottom view thereof; and,

FIG. 8 is a rear perspective view thereof.

The broken line showing in the figures of various environmental structures is for illustrative purposes only and forms no part of the claimed design.

**1 Claim, 3 Drawing Sheets**



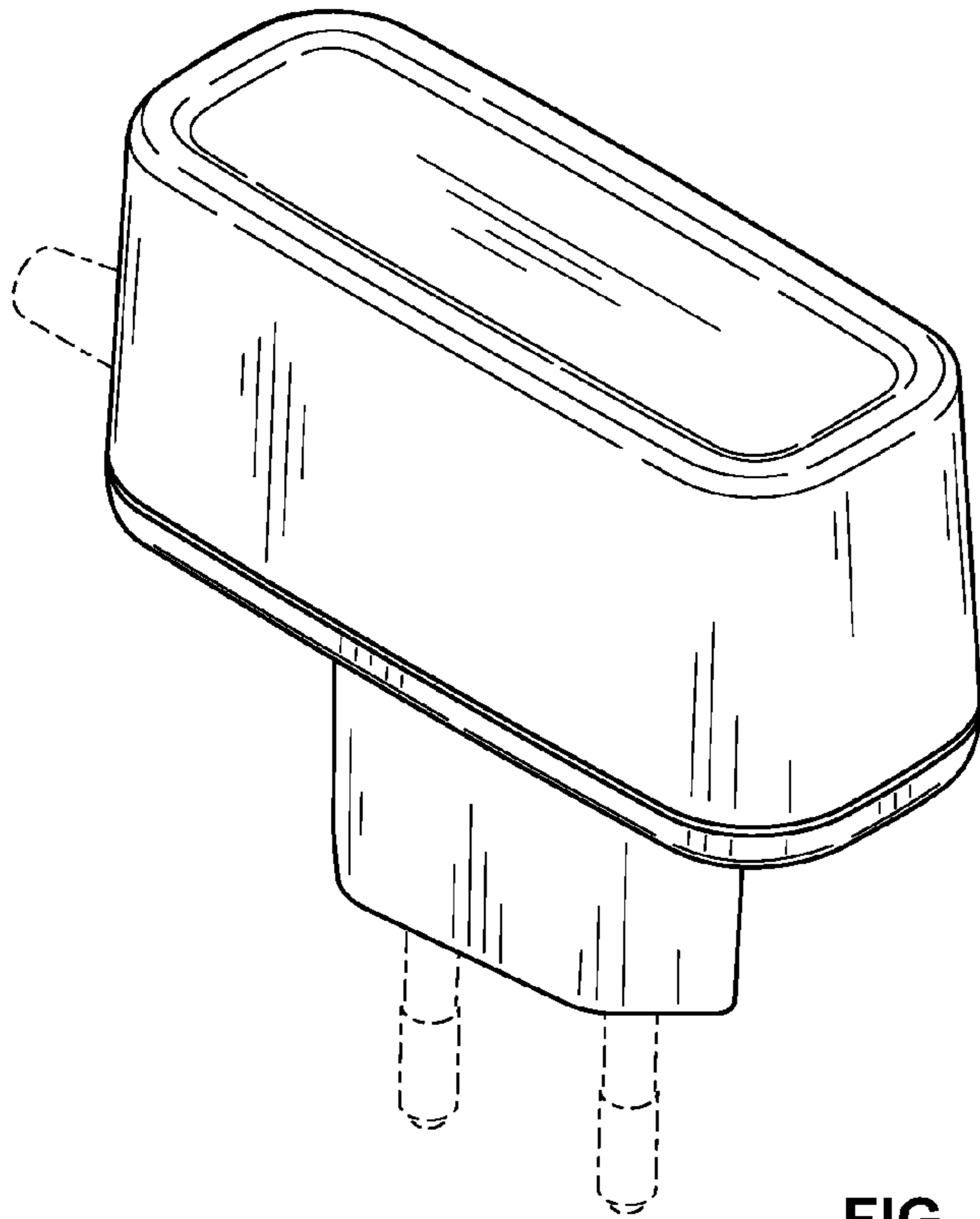


FIG. 1

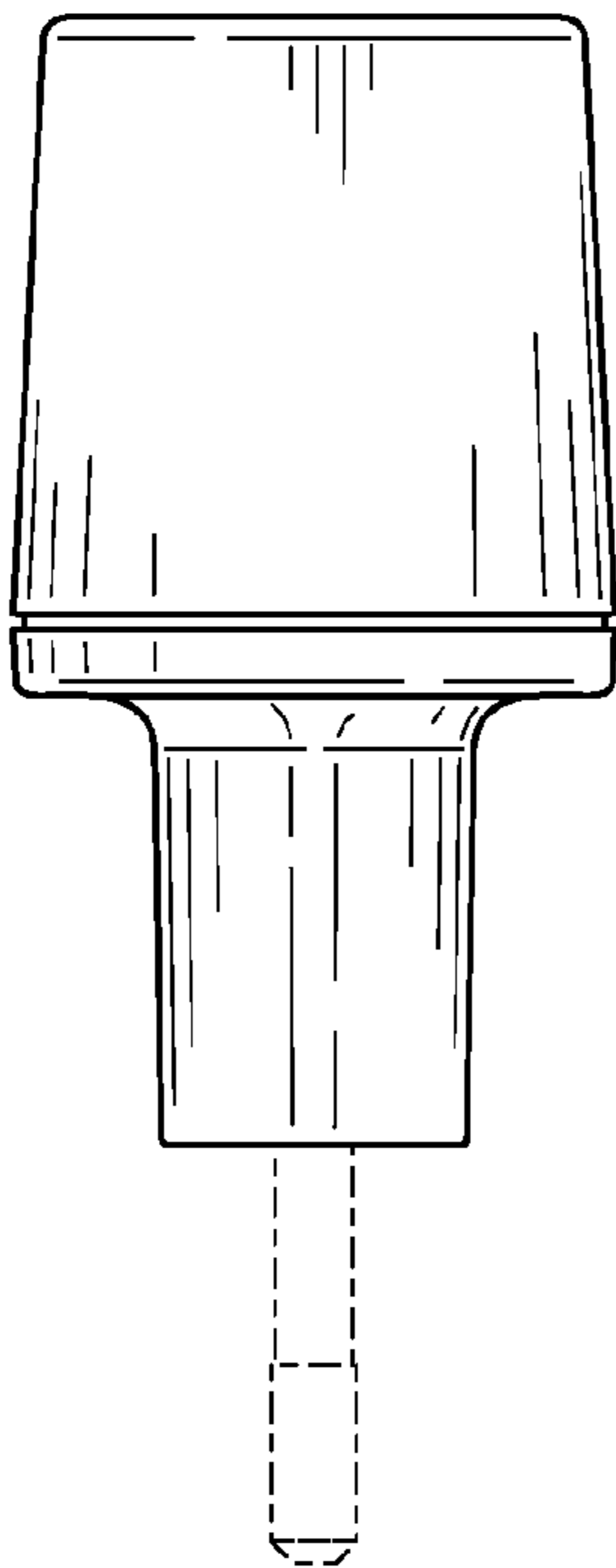


FIG. 2

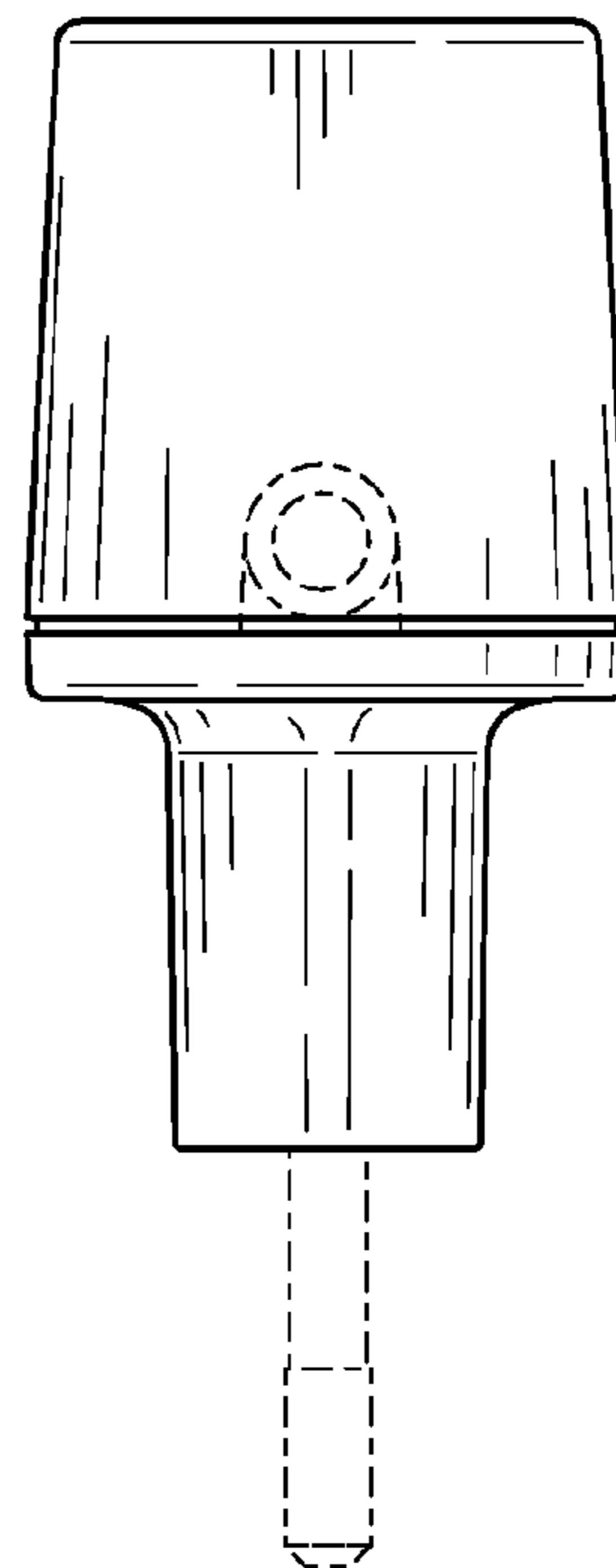


FIG. 3

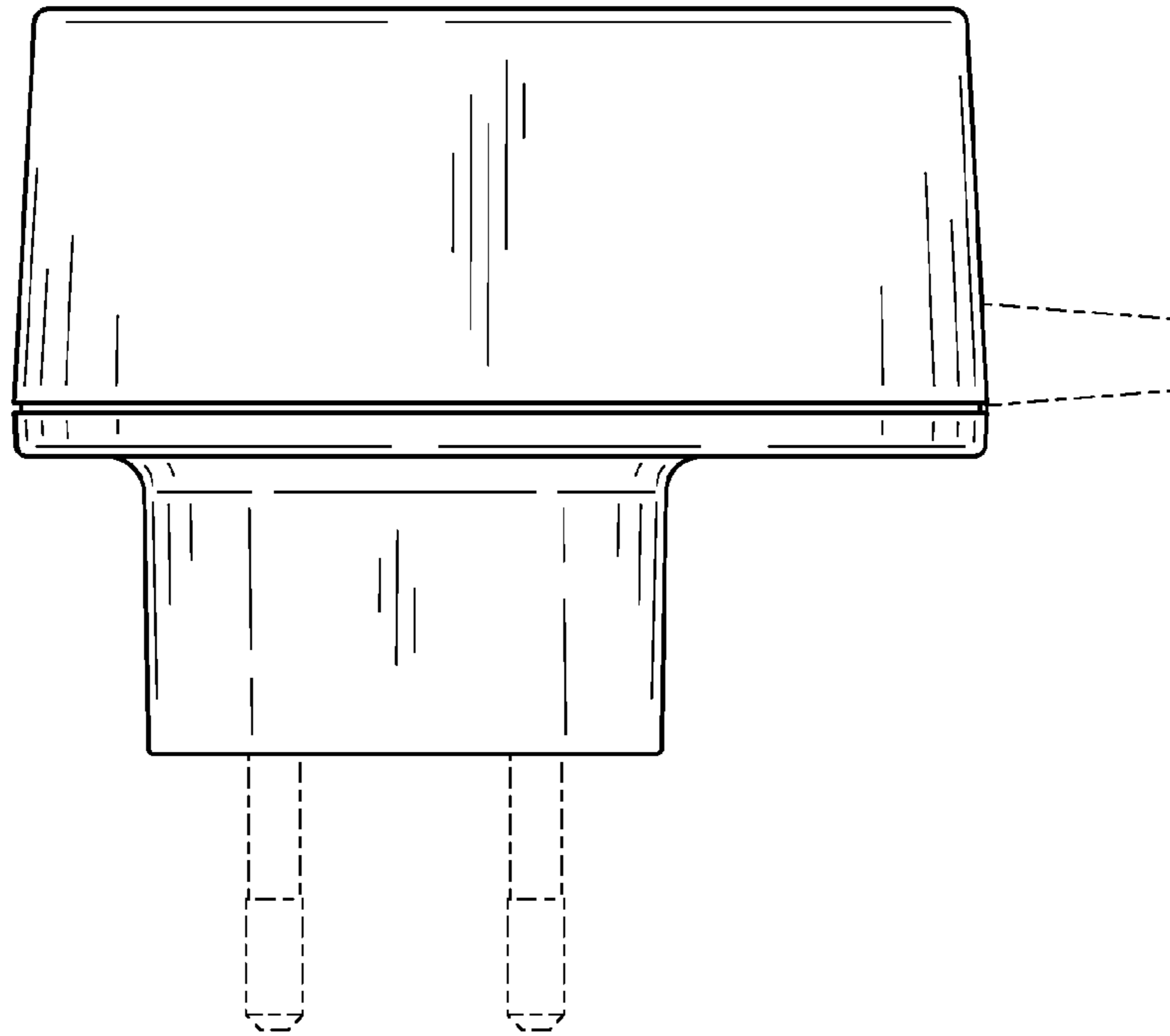


FIG. 4

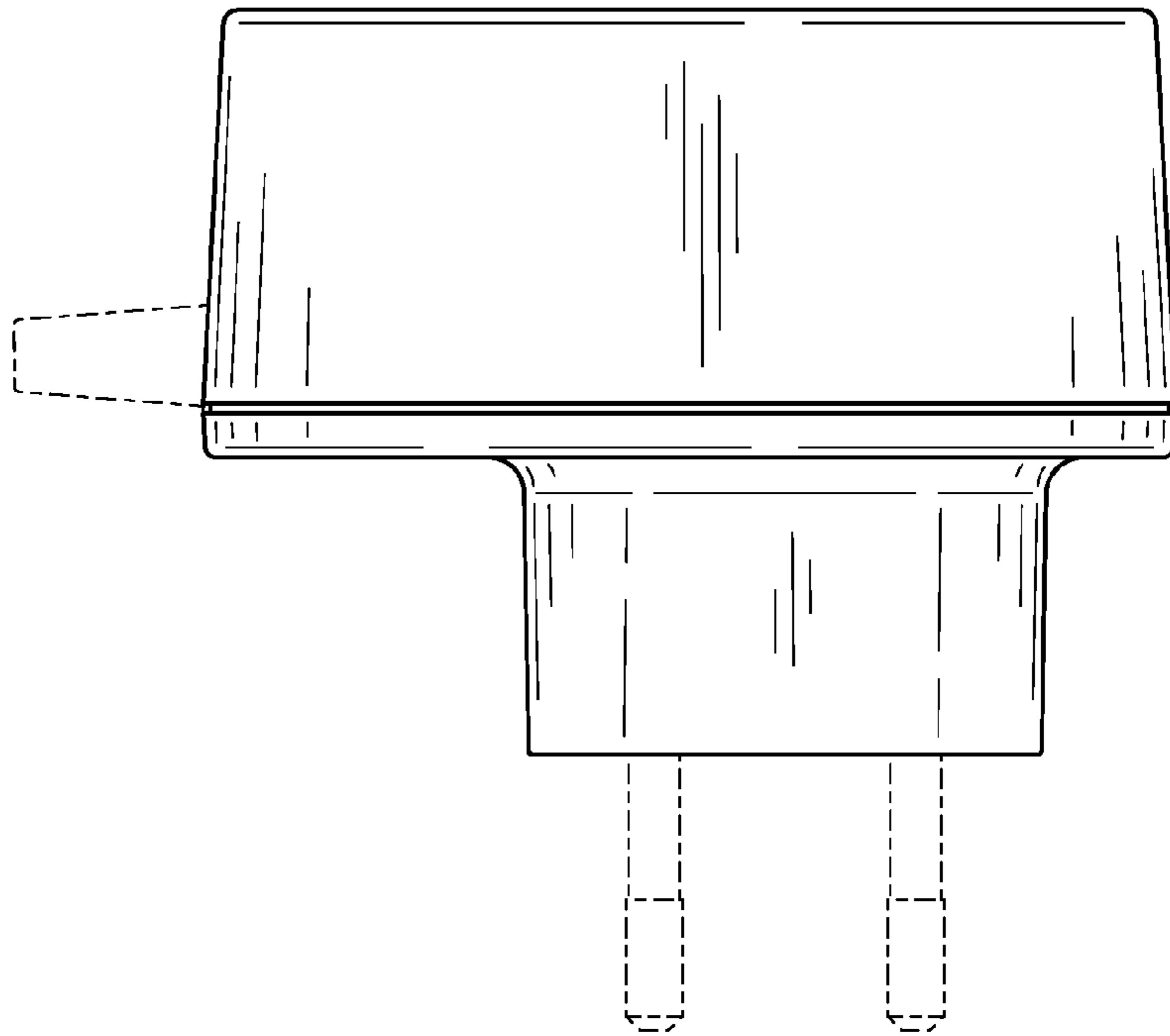


FIG. 5

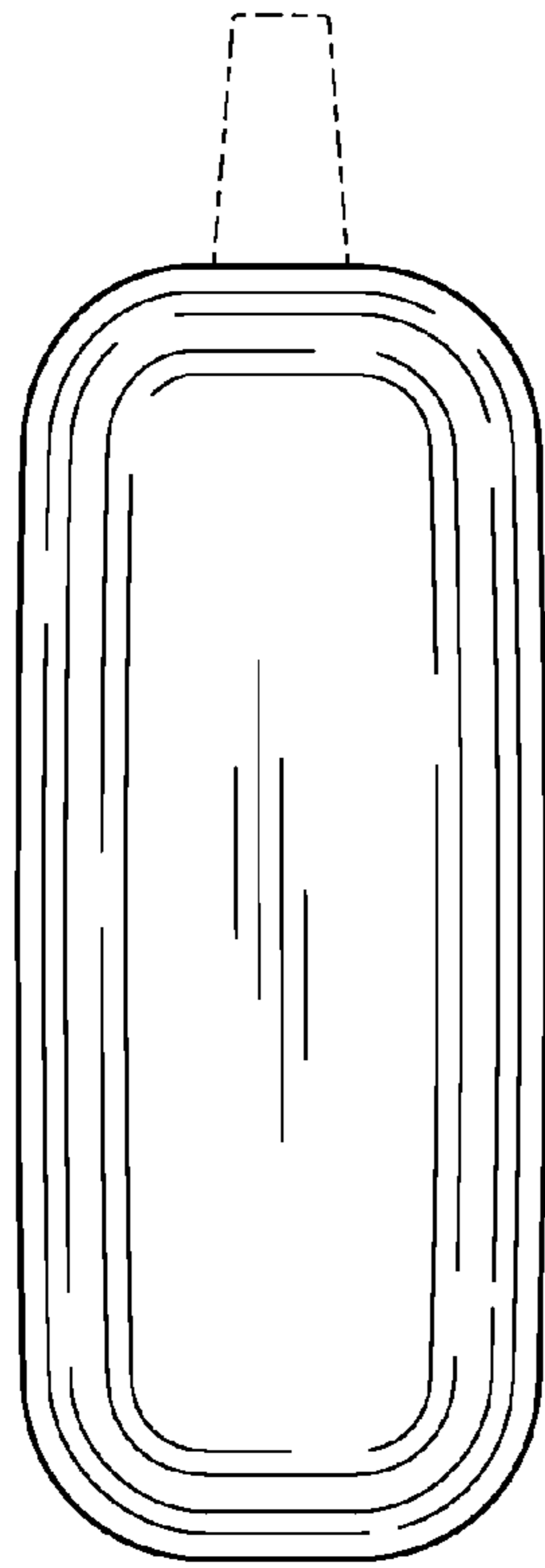


FIG. 6

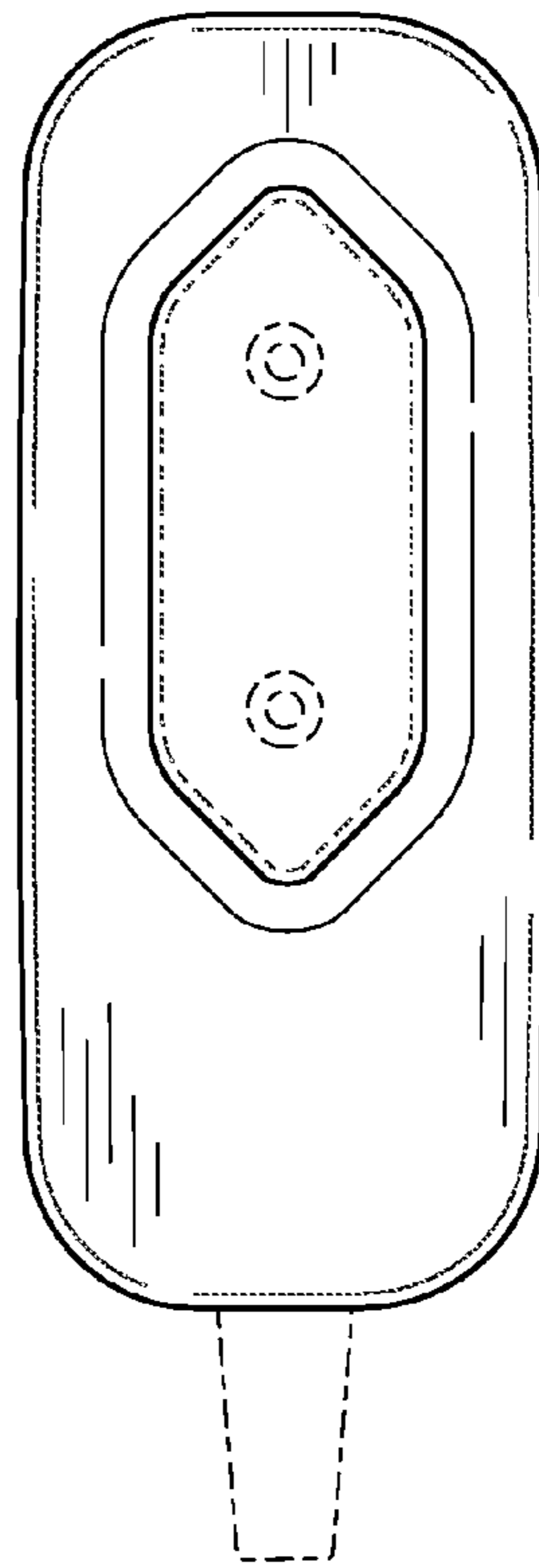


FIG. 7

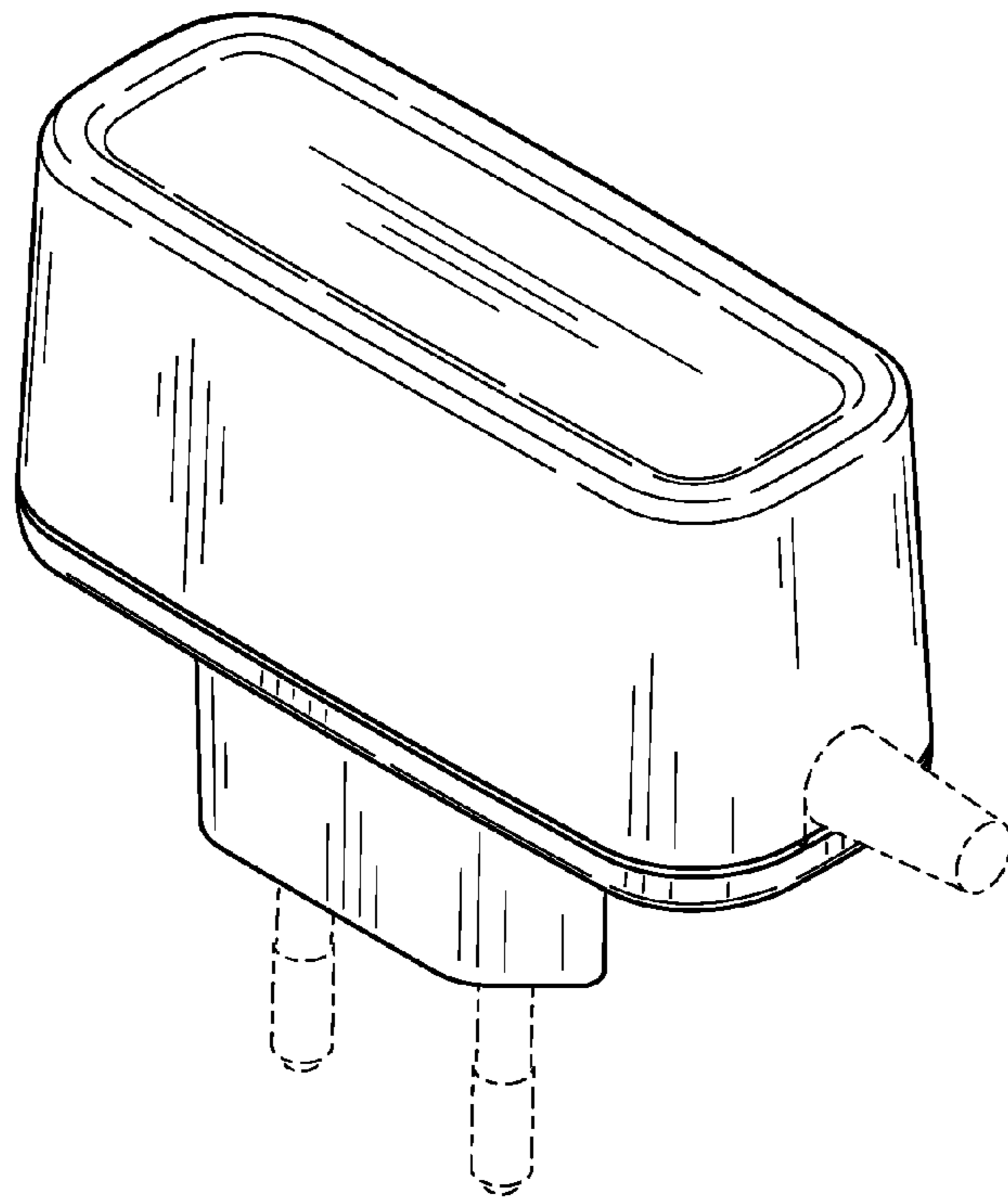


FIG. 8