



US00D591232S

(12) **United States Design Patent**
Zhuang

(10) **Patent No.:** **US D591,232 S**

(45) **Date of Patent:** **** Apr. 28, 2009**

(54) **BATTERY POWER PACK**

(76) Inventor: **York Zhuang**, A2 Building, Dahe Industrial Area, Huanguan South Road, Guan Lan, Shenzhen (CN) 518110

(**) Term: **14 Years**

(21) Appl. No.: **29/308,518**

(22) Filed: **Jun. 23, 2008**

(51) **LOC (9) Cl.** **13-02**

(52) **U.S. Cl.** **D13/103**

(58) **Field of Classification Search** D13/102–106,
D13/110, 118–121, 184; 429/96–100, 163,
429/176

See application file for complete search history.

(56) **References Cited**

U.S. PATENT DOCUMENTS

D345,727 S *	4/1994	Flowers et al.	D13/103
D393,829 S *	4/1998	Shimizu	D13/103
D435,242 S *	12/2000	Yoshida	D13/110
D464,934 S *	10/2002	Chen	D13/110
D486,445 S *	2/2004	Kasahara et al.	D13/103
D511,746 S *	11/2005	Lu	D13/110
D512,020 S *	11/2005	Wang	D13/110
D518,770 S *	4/2006	Levine	D13/110
D529,864 S *	10/2006	Levine	D13/110
D530,277 S *	10/2006	Lin	D13/110
D574,768 S *	8/2008	Witte	D13/103

D577,333 S * 9/2008 Daniel et al. D13/103

* cited by examiner

Primary Examiner—Jennifer Rivard

Assistant Examiner—Rosemary K Tarcza

(74) *Attorney, Agent, or Firm*—Basil E. Demeur; Alan B. Samlan; David J. Hurley

(57) **CLAIM**

I claim the ornamental design for a battery power pack, as shown and described.

DESCRIPTION

FIG. 1 is a front perspective view of the battery power pack design;

FIG. 2 is a rear perspective view of the of the battery power pack design;

FIG. 3 is a front elevational view of the battery power pack design;

FIG. 4 is a side elevational view of the battery power pack design;

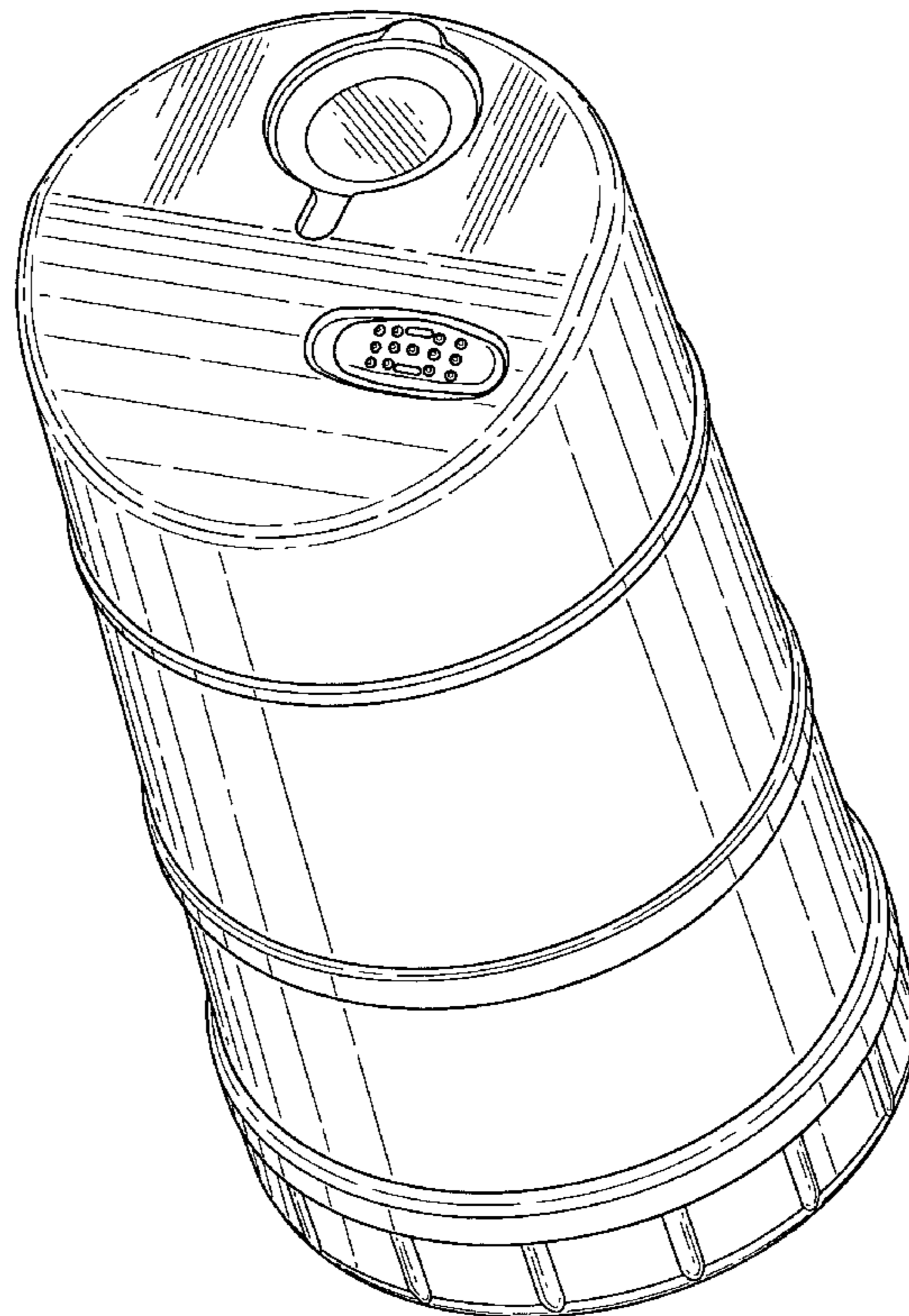
FIG. 5 is a side elevational view of the opposed side of the battery power pack design;

FIG. 6 is a rear elevational view of the battery power pack design;

FIG. 7 is a top view of the battery power pack design; and,

FIG. 8 is a bottom view of the battery power pack design.

1 Claim, 7 Drawing Sheets



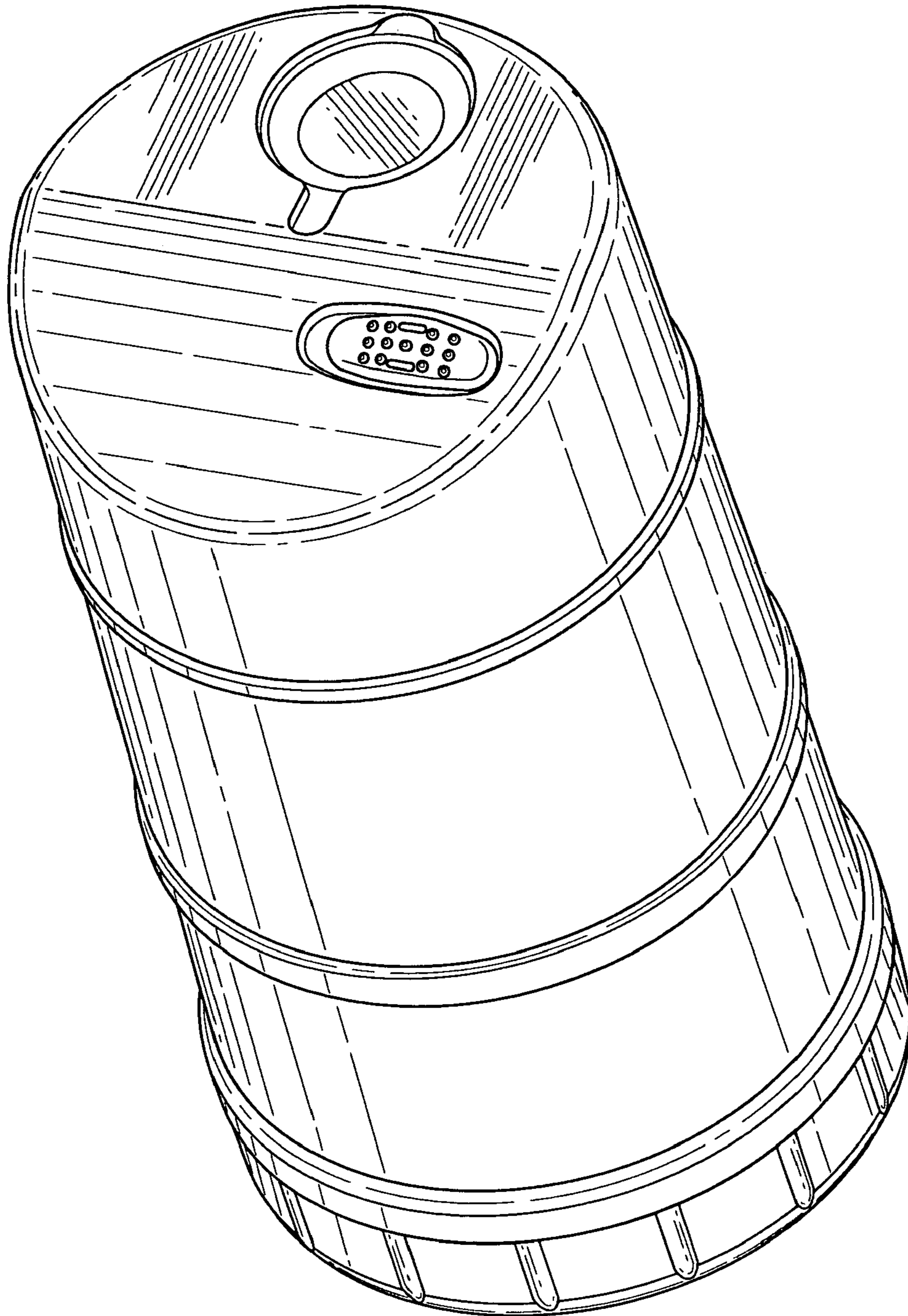


FIG. 1

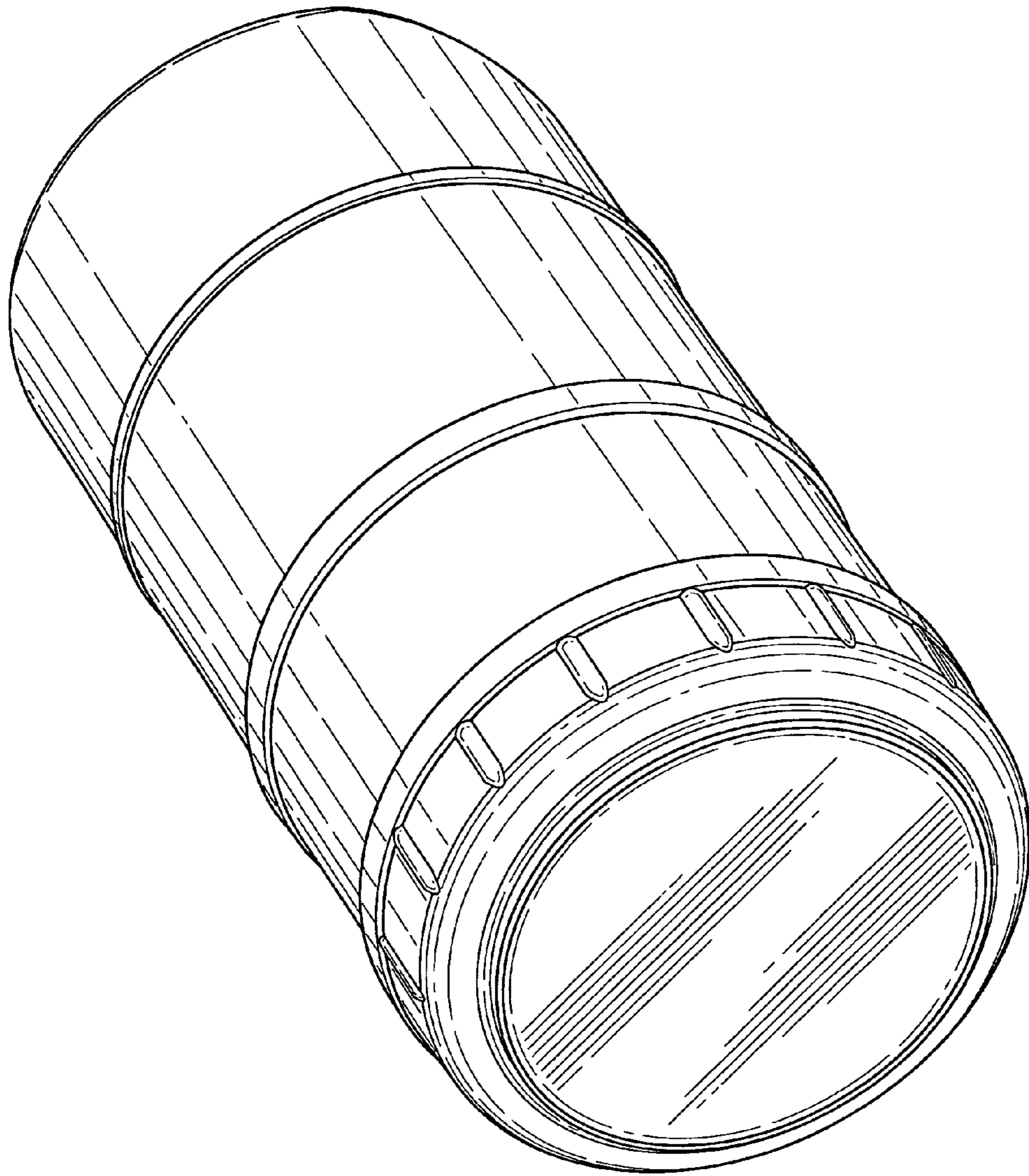


FIG. 2

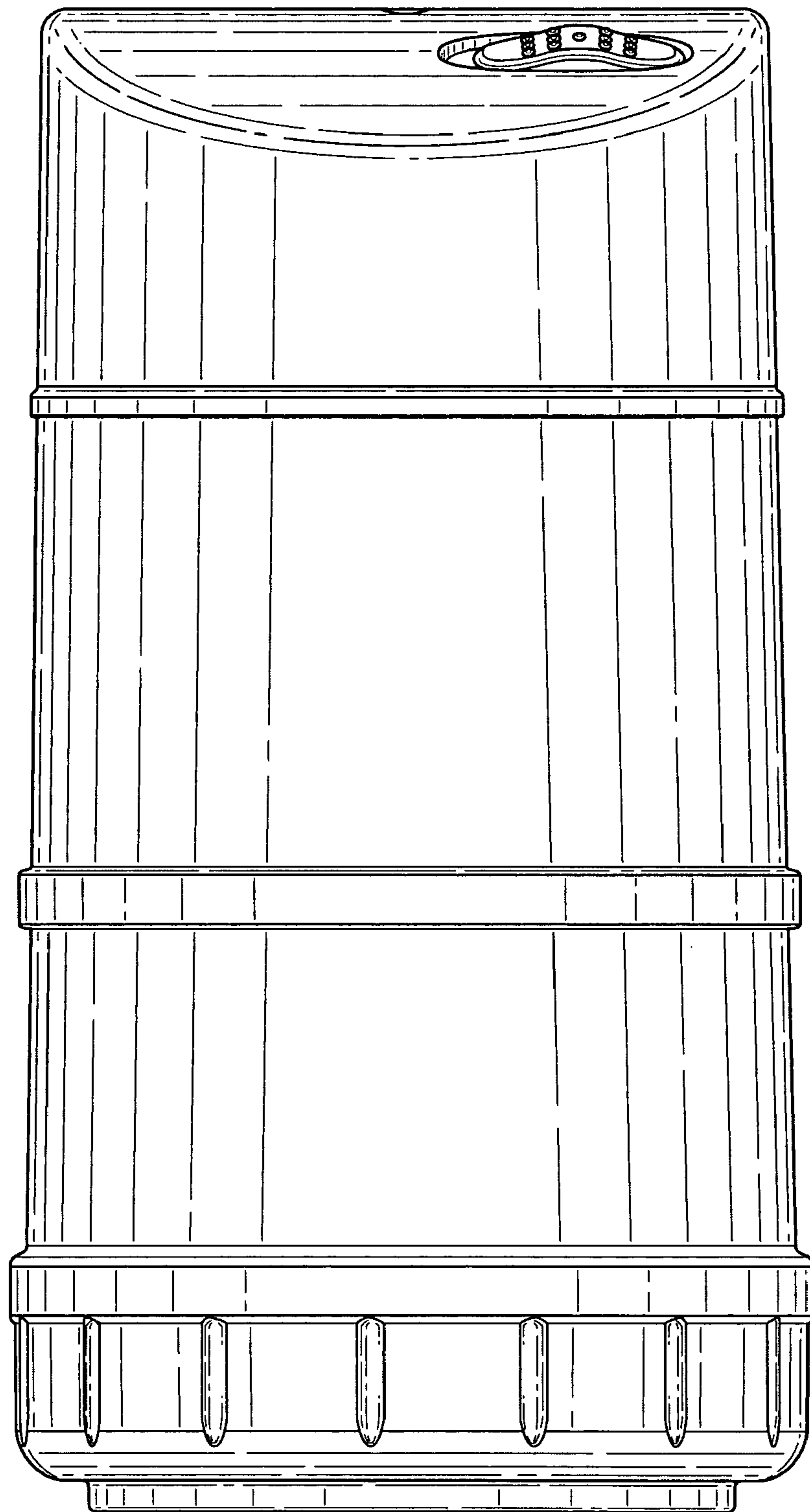


FIG. 3

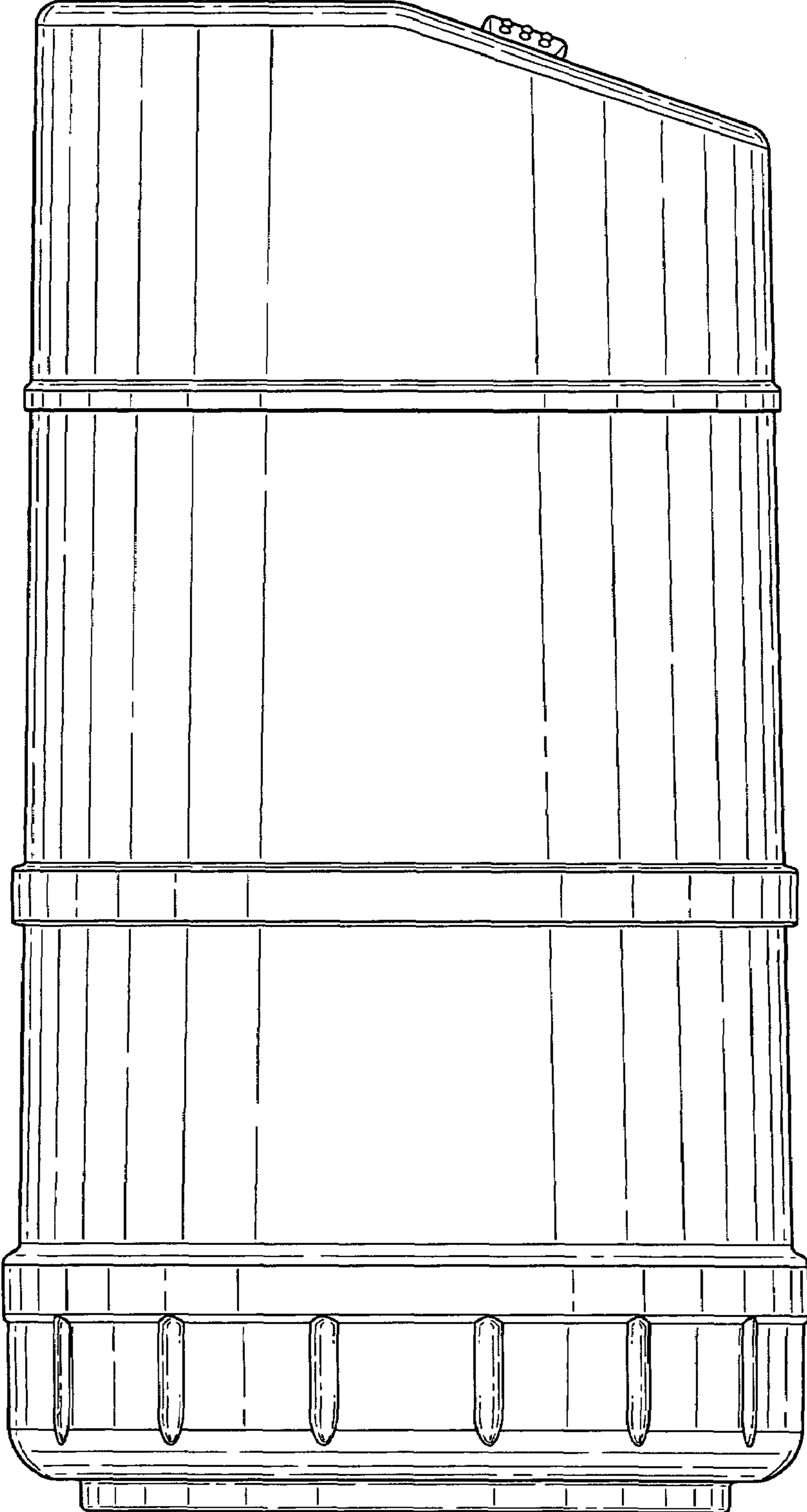


FIG. 4

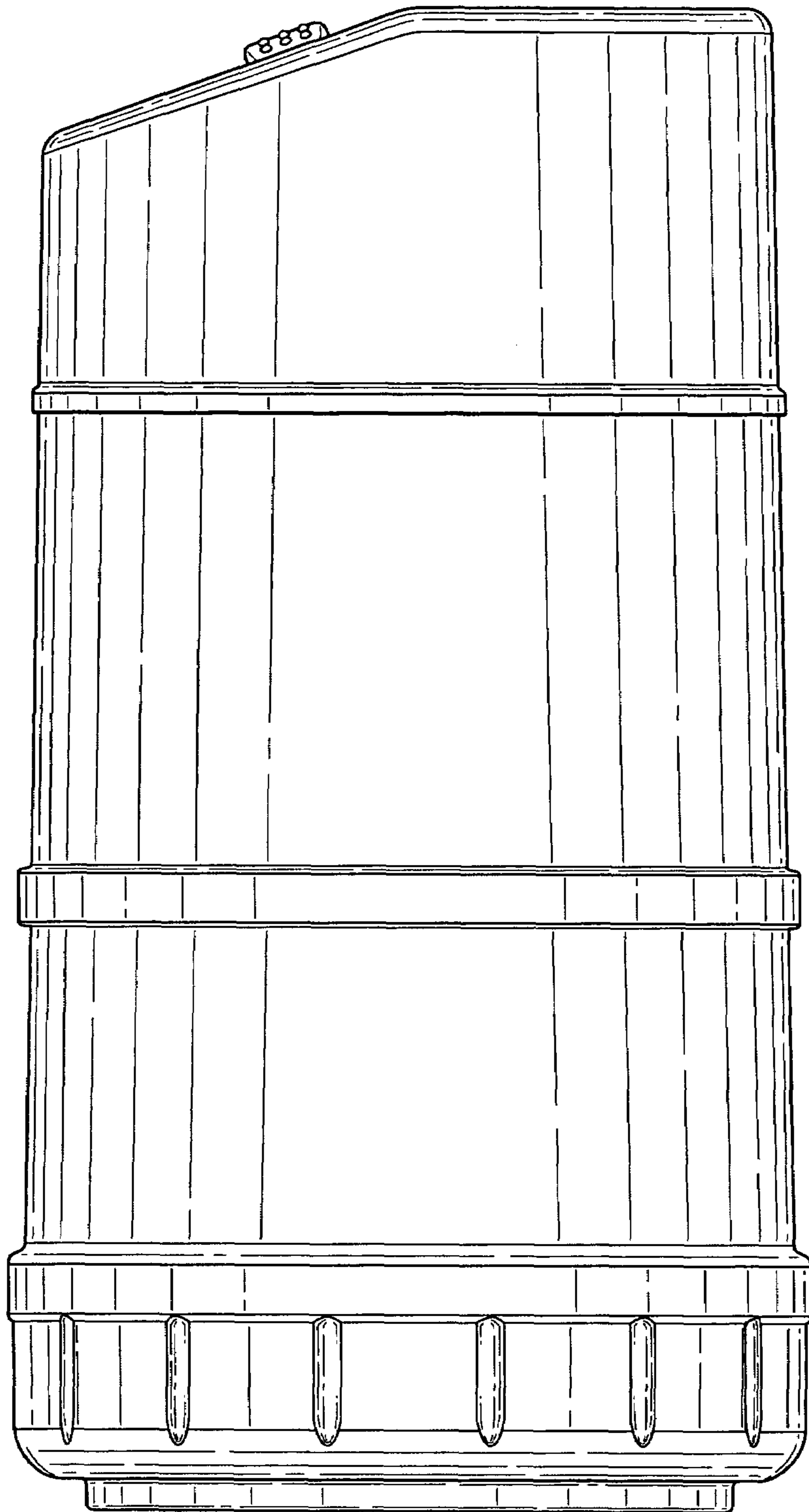


FIG. 5

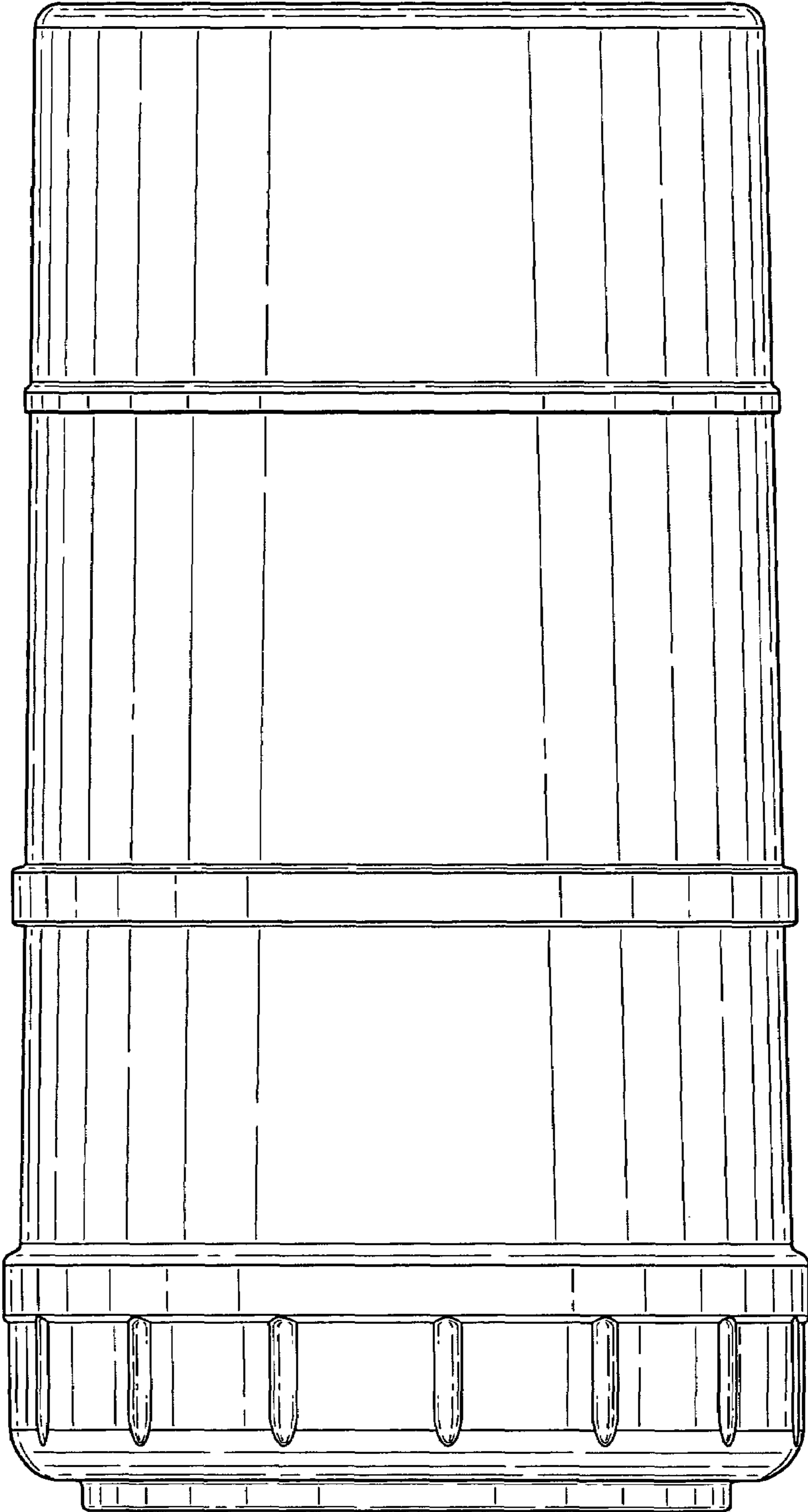


FIG. 6

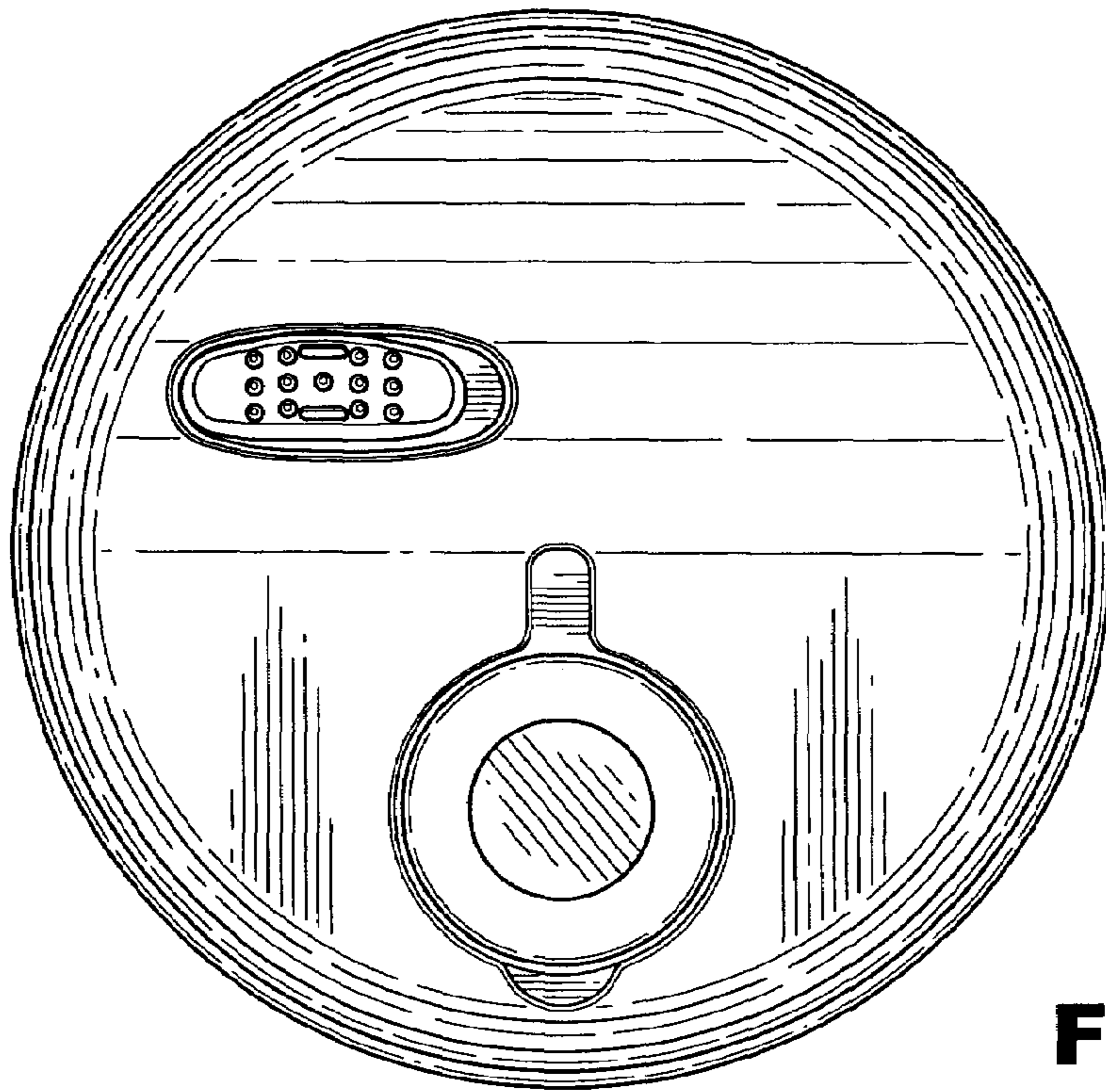


FIG. 7

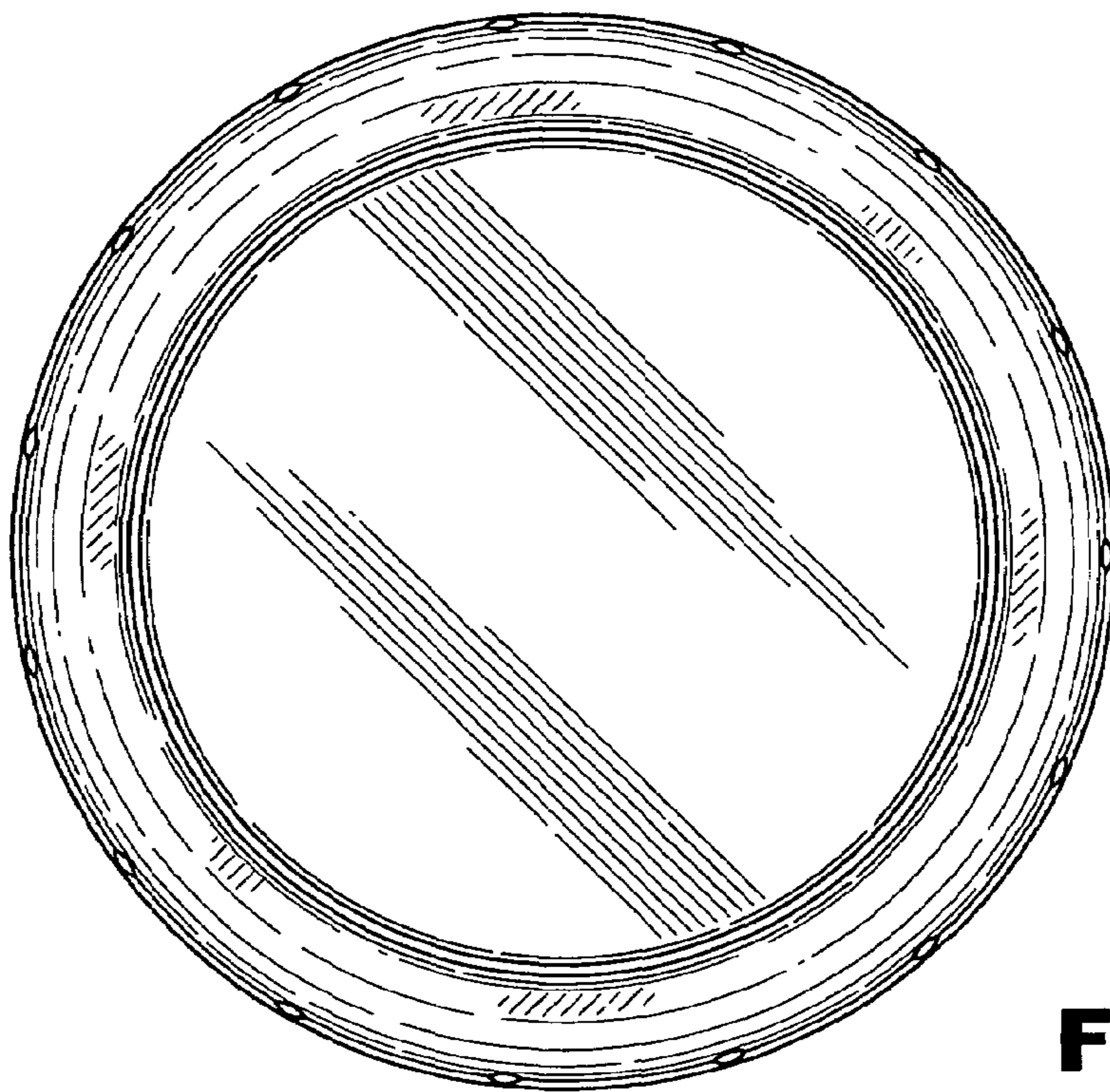


FIG. 8