



US00D591231S

(12) **United States Design Patent**
Wung et al.

(10) **Patent No.:** **US D591,231 S**

(45) **Date of Patent:** **** Apr. 28, 2009**

(54) **BATTERY PACK**

(75) Inventors: **Peter Wung**, Redmond, WA (US); **Ken Dickenson**, Bellevue, WA (US)

(73) Assignee: **Physio-Control, Inc.**, Redmond, WA (US)

(**) Term: **14 Years**

(21) Appl. No.: **29/304,412**

(22) Filed: **Feb. 29, 2008**

(51) **LOC (9) Cl.** **13-02**

(52) **U.S. Cl.** **D13/103**

(58) **Field of Classification Search** D13/102–106,
D13/110, 118–121, 184; 429/96–100, 163,
429/176

See application file for complete search history.

(56) **References Cited**

U.S. PATENT DOCUMENTS

- D490,370 S * 5/2004 Picardo D13/103
- D534,491 S * 1/2007 Panebianco et al. D13/119
- D538,225 S * 3/2007 Lyman et al. D13/119
- D557,203 S * 12/2007 Grunow et al. D13/103

D557,204 S * 12/2007 Panebianco et al. D13/103

* cited by examiner

Primary Examiner—Jennifer Rivard

Assistant Examiner—Rosemary K Tarcza

(74) *Attorney, Agent, or Firm*—Shumaker & Sieffert, P.A.

(57) **CLAIM**

The ornamental design for a battery pack, as shown and described.

DESCRIPTION

FIG. 1 is a perspective view of the battery pack showing our new design;

FIG. 2 is a side view of the battery pack shown in FIG. 1;

FIG. 3 is a rear view of the battery pack shown in FIG. 1;

FIG. 4 is a front view of the battery pack shown in FIG. 1;

FIG. 5 is a bottom view of the battery pack shown in FIG. 1; and,

FIG. 6 is a top view of the battery pack shown in FIG. 1.

The broken line representations in FIGS. 1 and 5–6 are for illustrative purposes only and form no part of the claimed design. The left side of the battery pack is a mirror image of the right side.

1 Claim, 5 Drawing Sheets

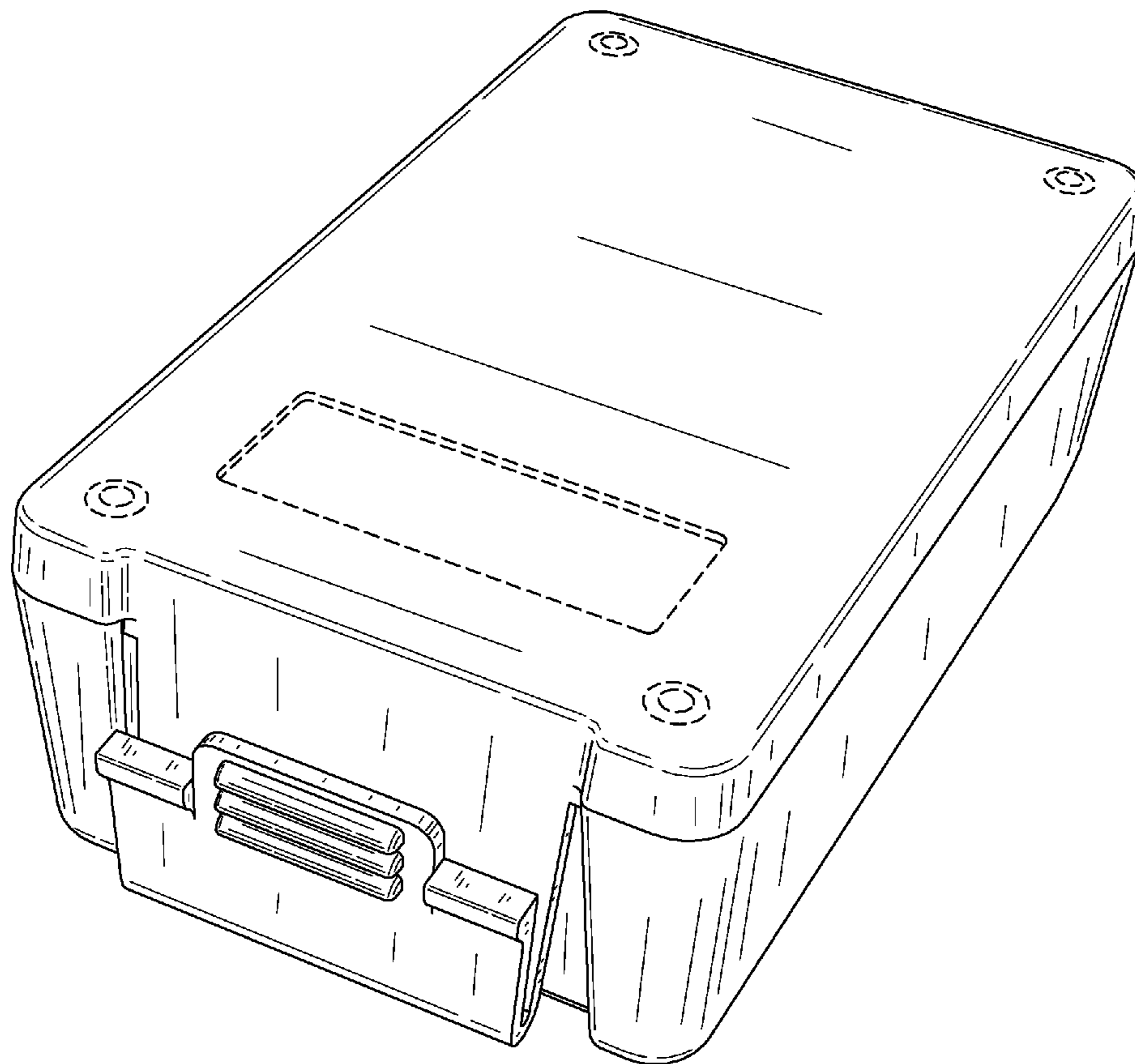


FIG. 1

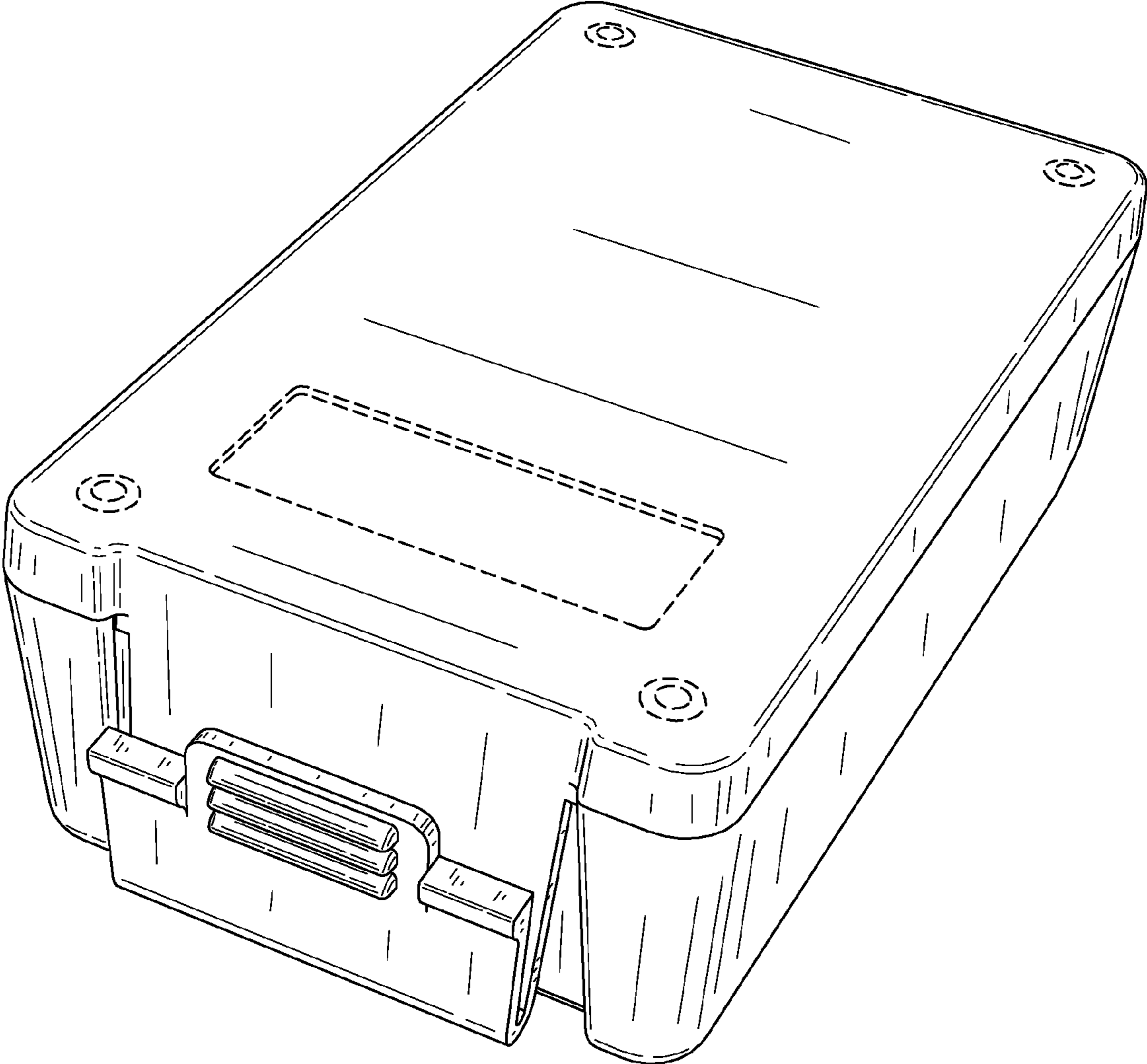


FIG. 2

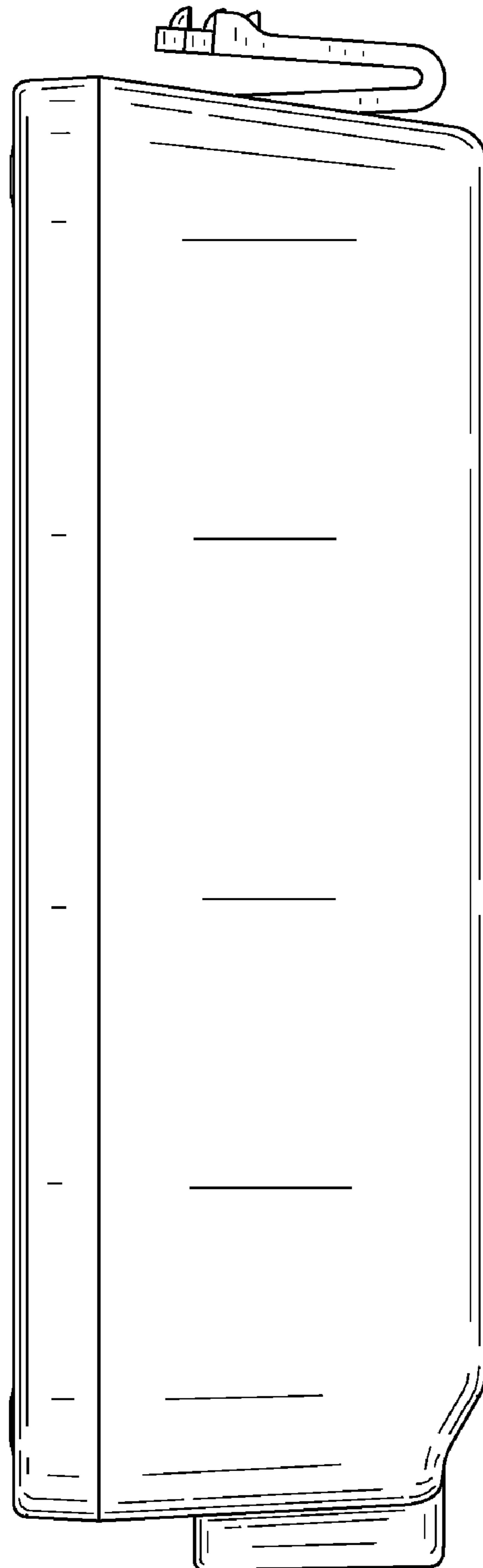


FIG. 3

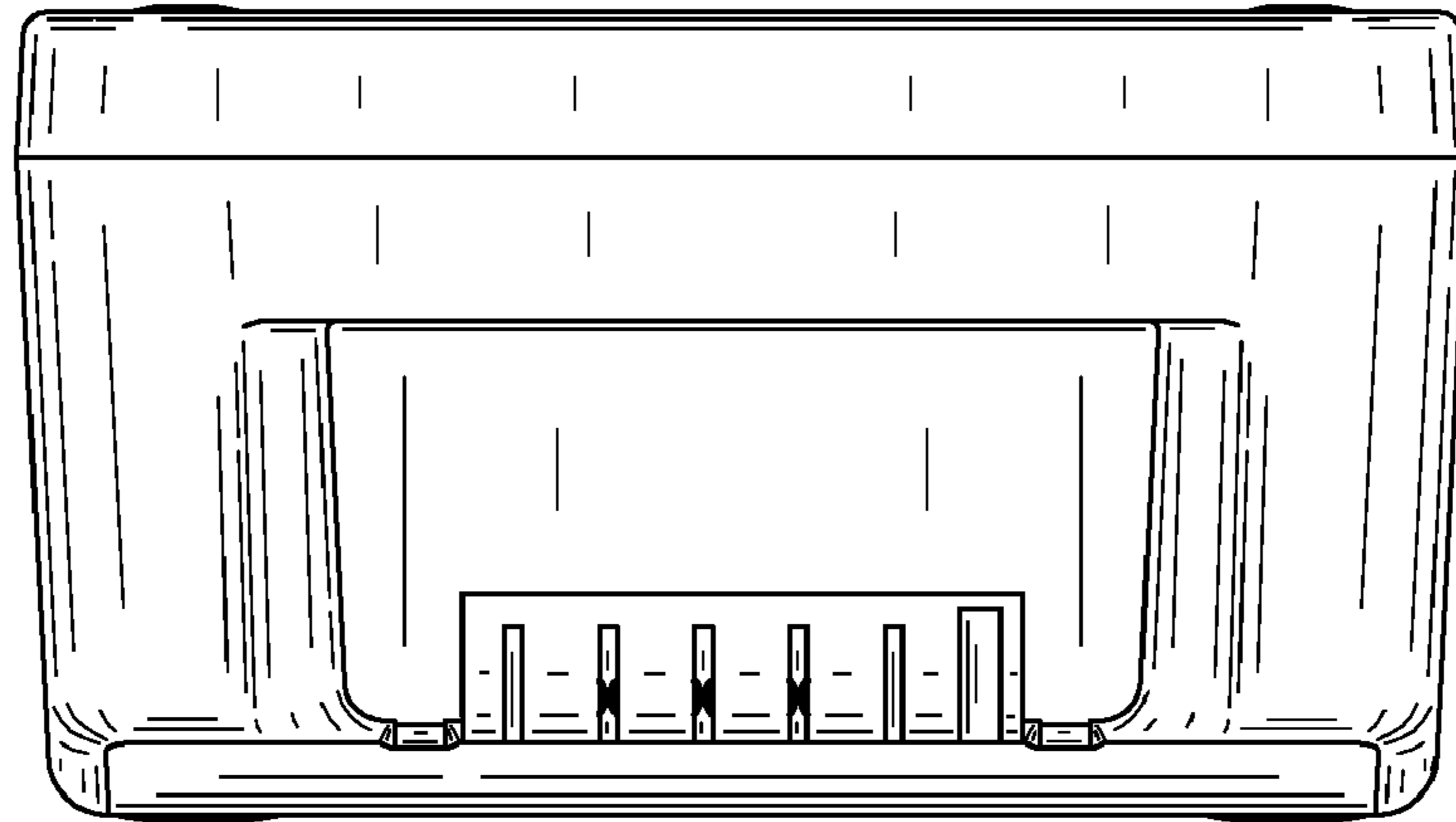


FIG. 4

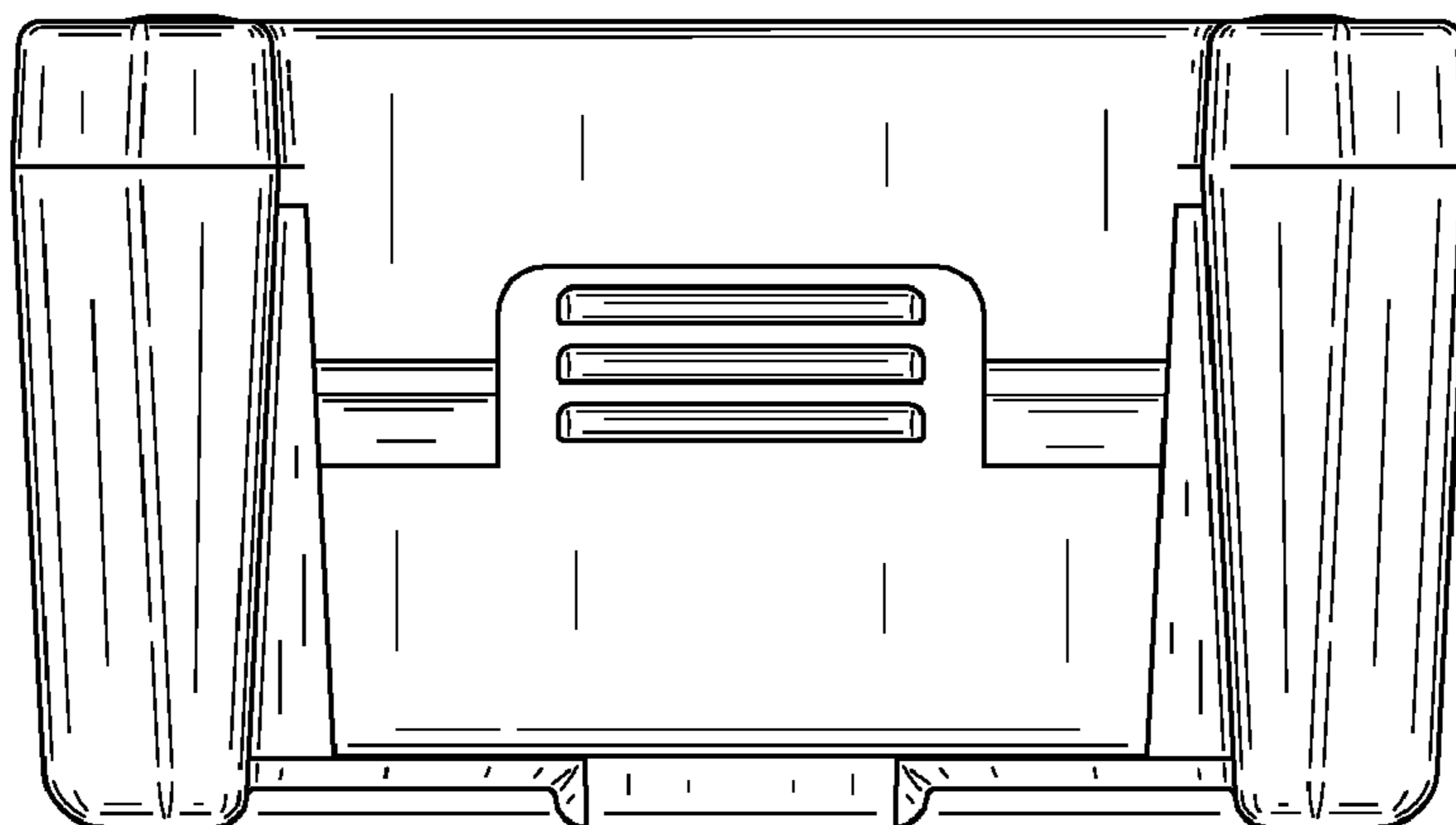


FIG. 5

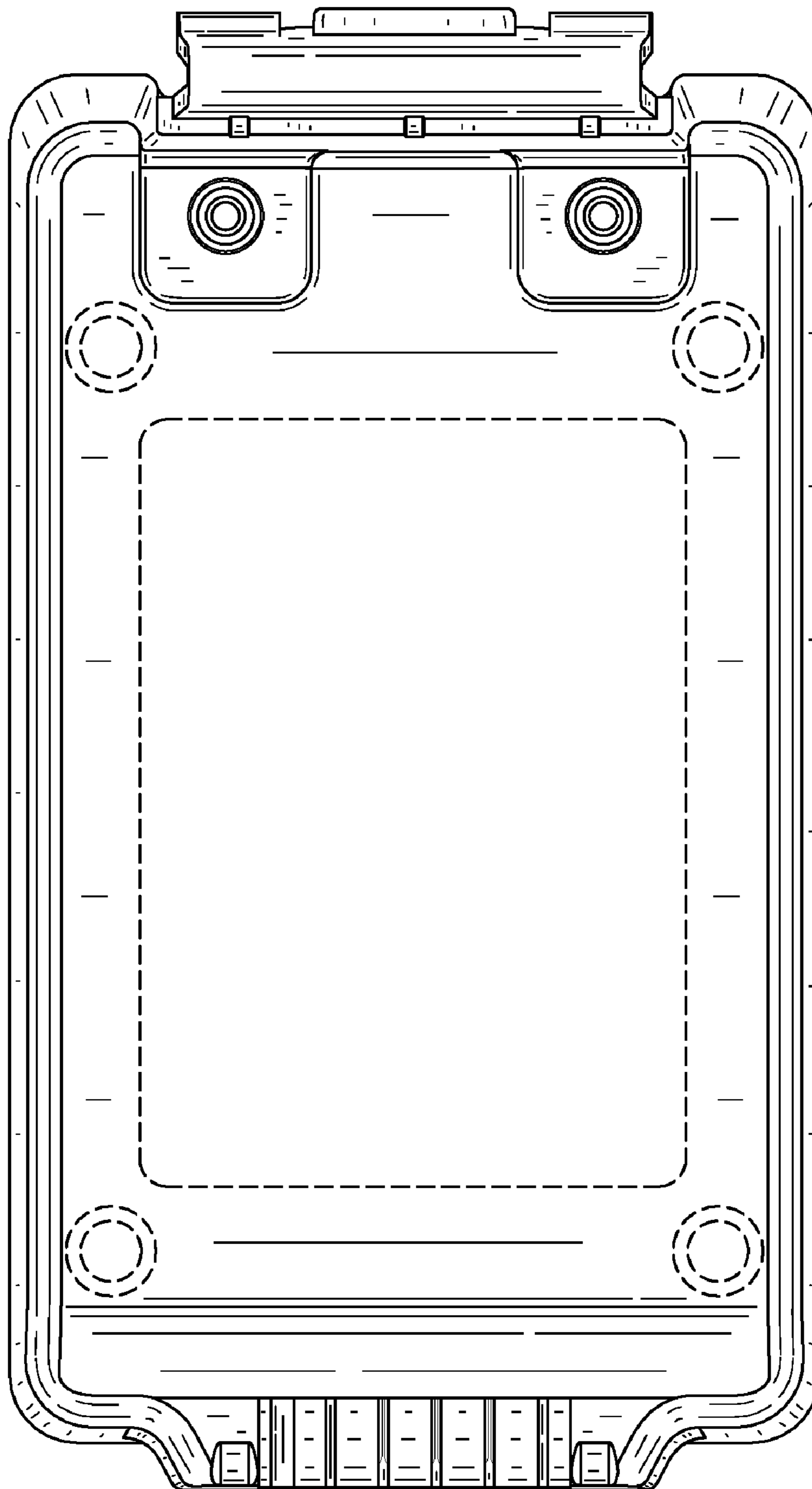


FIG. 6

