



US00D591230S

(12) **United States Design Patent**
Tasai

(10) **Patent No.:** **US D591,230 S**
(45) **Date of Patent:** **** Apr. 28, 2009**

(54) **BATTERY**

2003/0203278 A1* 10/2003 Hamada et al. 429/156
2004/0191612 A1* 9/2004 Akita et al. 429/94

(75) Inventor: **Hiroshi Tasai**, Kyoto (JP)

(73) Assignee: **GS Yuasa Corporation**, Kyoto-shi (JP)

(**) Term: **14 Years**

(21) Appl. No.: **29/293,073**

(22) Filed: **Nov. 7, 2007**

(30) **Foreign Application Priority Data**

May 7, 2007 (JP) 2007-011948

(51) **LOC (9) Cl.** **13-02**

(52) **U.S. Cl.** **D13/103**

(58) **Field of Classification Search** D13/102–106,
D13/110, 118–121, 184; 429/96–100, 163,
429/176

See application file for complete search history.

(56) **References Cited**

U.S. PATENT DOCUMENTS

D400,849 S *	11/1998	Ikeda et al.	D13/106
5,885,732 A *	3/1999	Verhoog	429/176
6,033,800 A *	3/2000	Ichiyangi et al.	429/176
6,045,883 A *	4/2000	Akiyama et al.	428/35.7
D437,287 S *	2/2001	Hamada et al.	D13/103
6,447,949 B2 *	9/2002	Iwata et al.	429/185
D543,938 S *	6/2007	Kawakita et al.	D13/119
D548,176 S *	8/2007	Eto et al.	D13/103
D548,684 S *	8/2007	Eto et al.	D13/103
D548,685 S *	8/2007	Eto et al.	D13/103

FOREIGN PATENT DOCUMENTS

JP	1175600	4/2003
JP	1175601	4/2003

OTHER PUBLICATIONS

May 8, 2003 “News Release”, GS Yuasa Corp., Japan.

* cited by examiner

Primary Examiner—Jennifer Rivard

Assistant Examiner—Rosemary K Tarcza

(74) *Attorney, Agent, or Firm*—Jordan and Hamburg LLP

(57) **CLAIM**

The ornamental design for a battery, as shown.

DESCRIPTION

FIG. 1 is a perspective illustration;

FIG. 2 is a top view;

FIG. 3 is a front elevation view;

FIG. 4 is a bottom view;

FIG. 5 is a rear elevation view;

FIG. 6 is a right side elevation view;

FIG. 7 is a left side elevation view; and,

FIG. 8 is a sectional view taken along line 8—8 of FIG. 2.

1 Claim, 5 Drawing Sheets

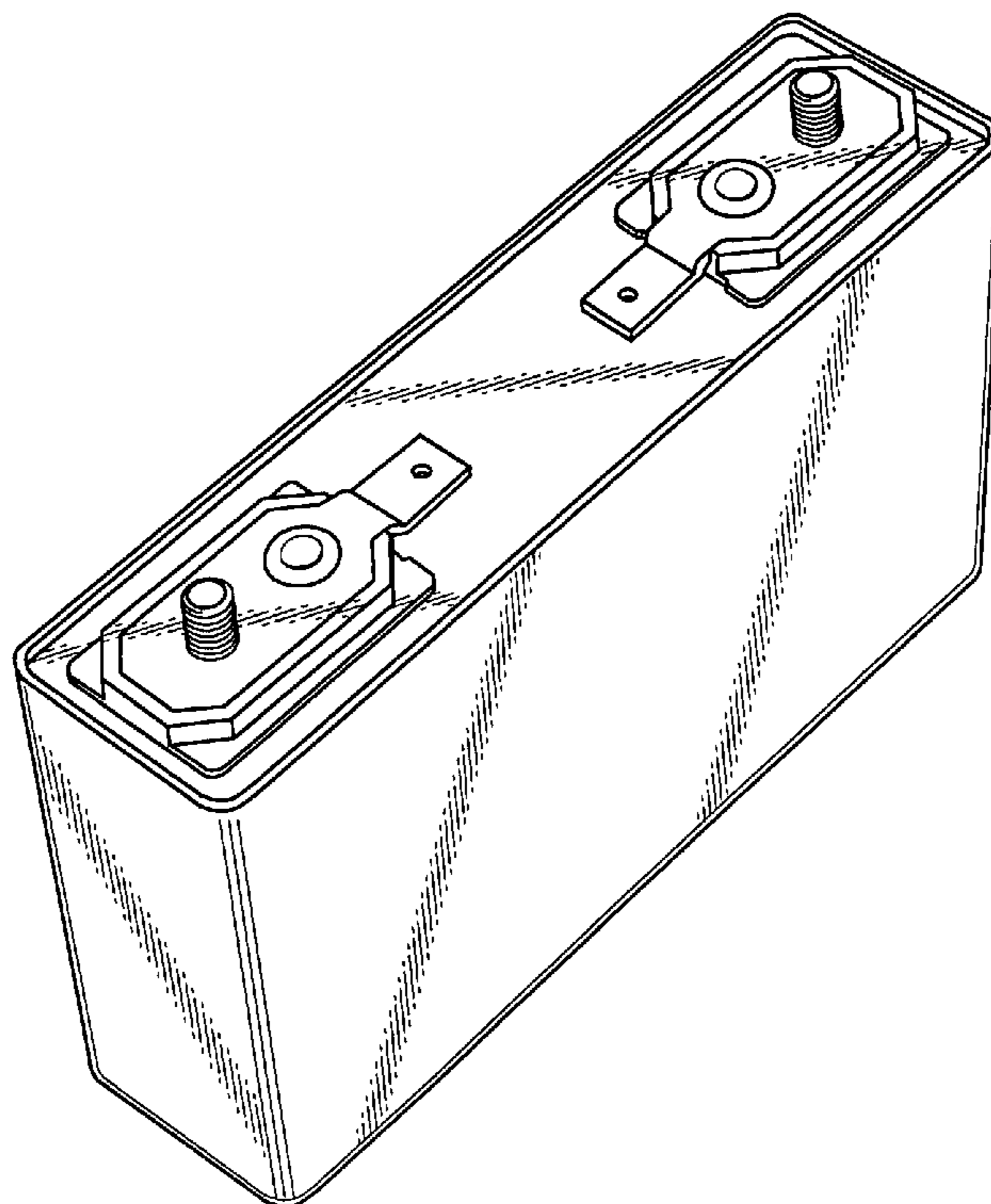


Fig. 1

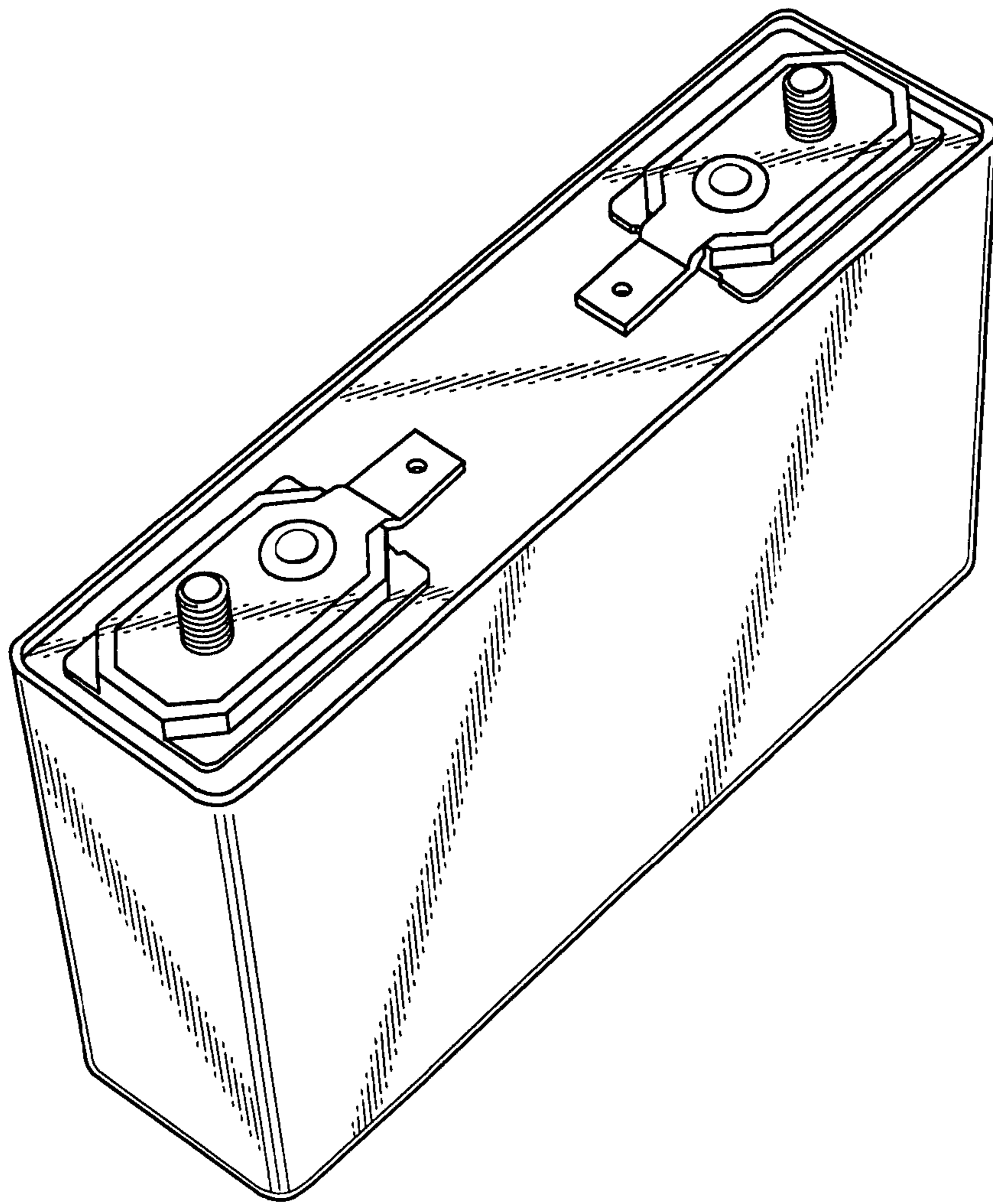


Fig. 2

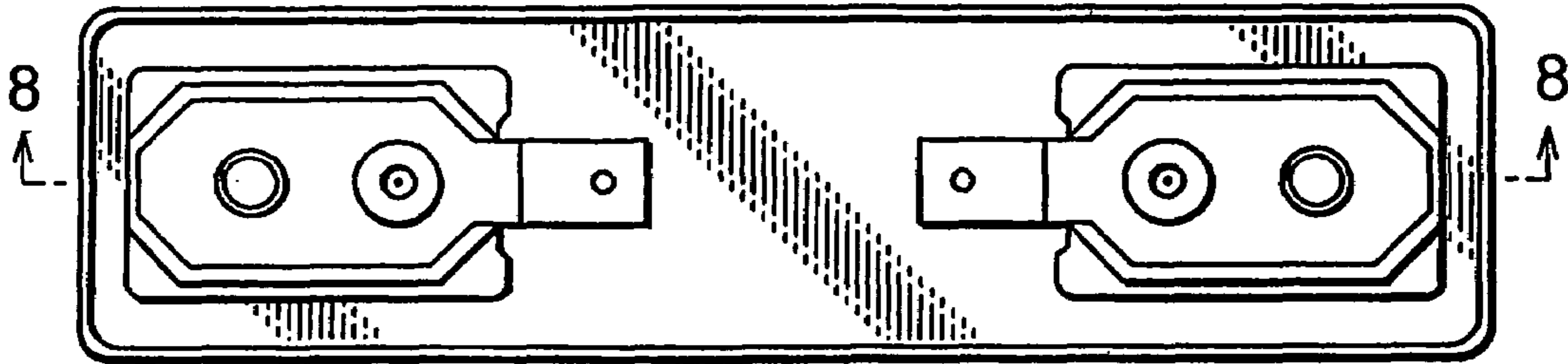


Fig. 3

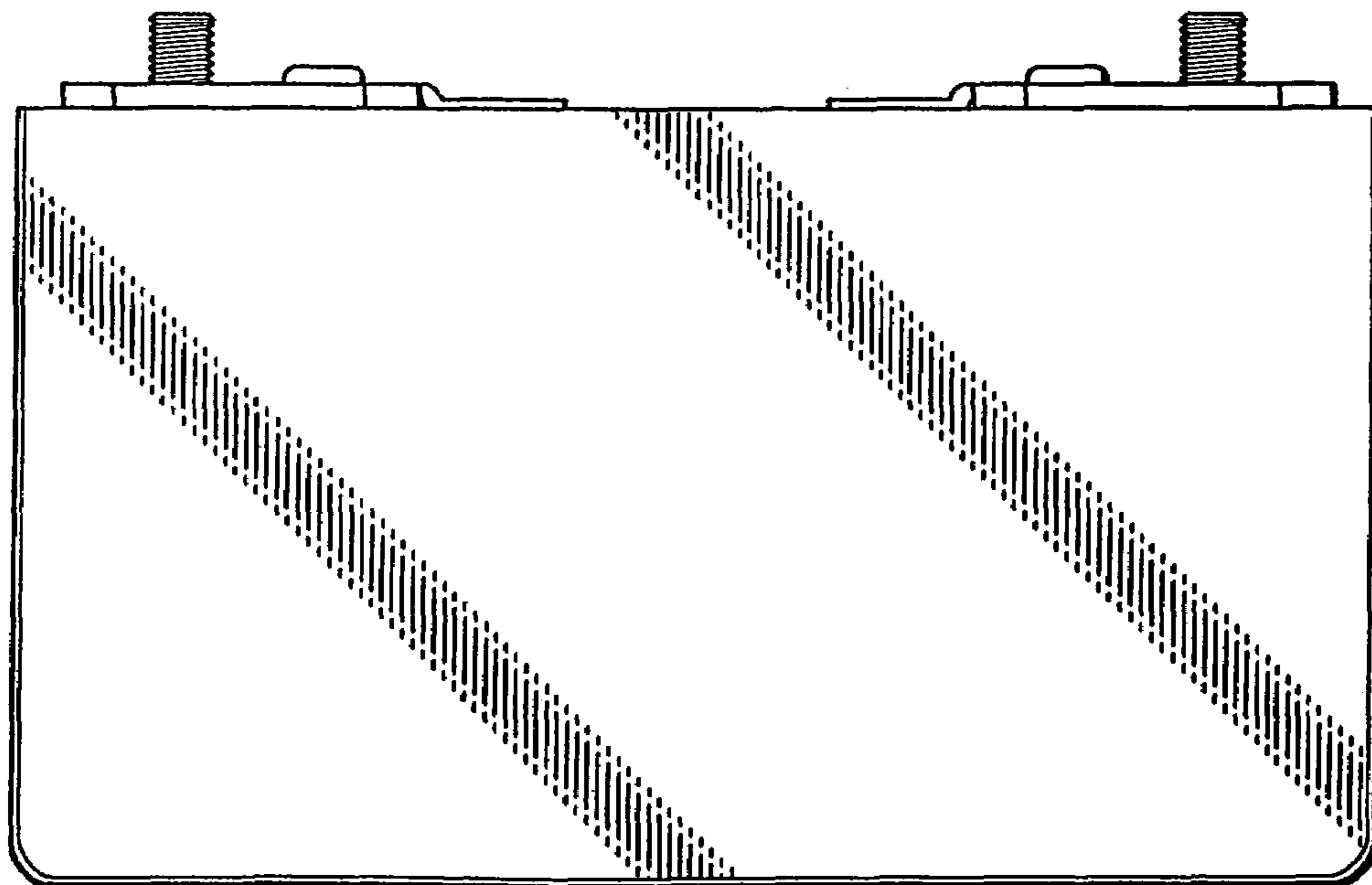


Fig. 4

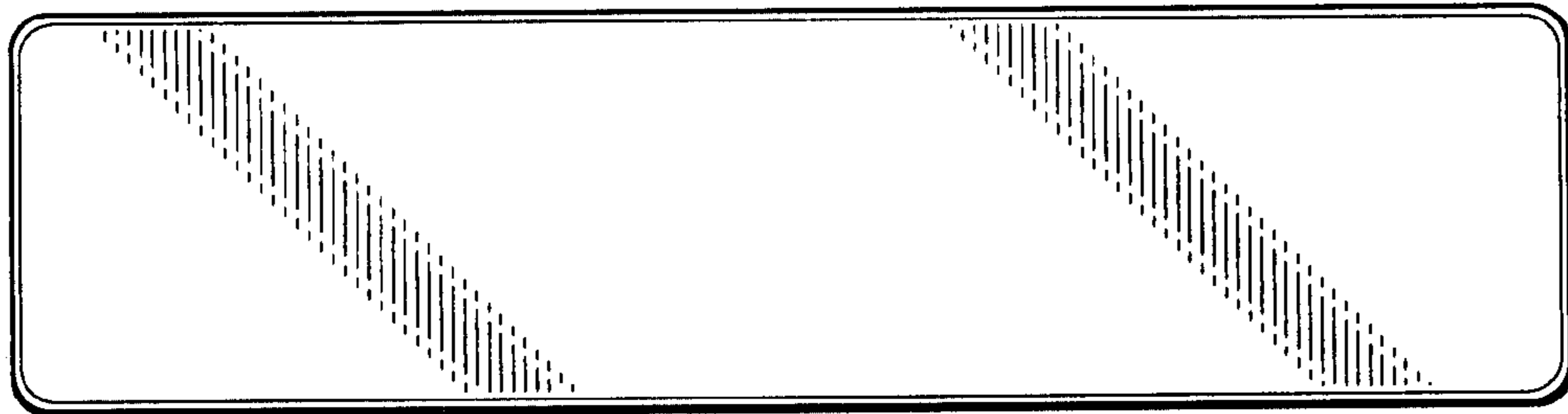


Fig. 5

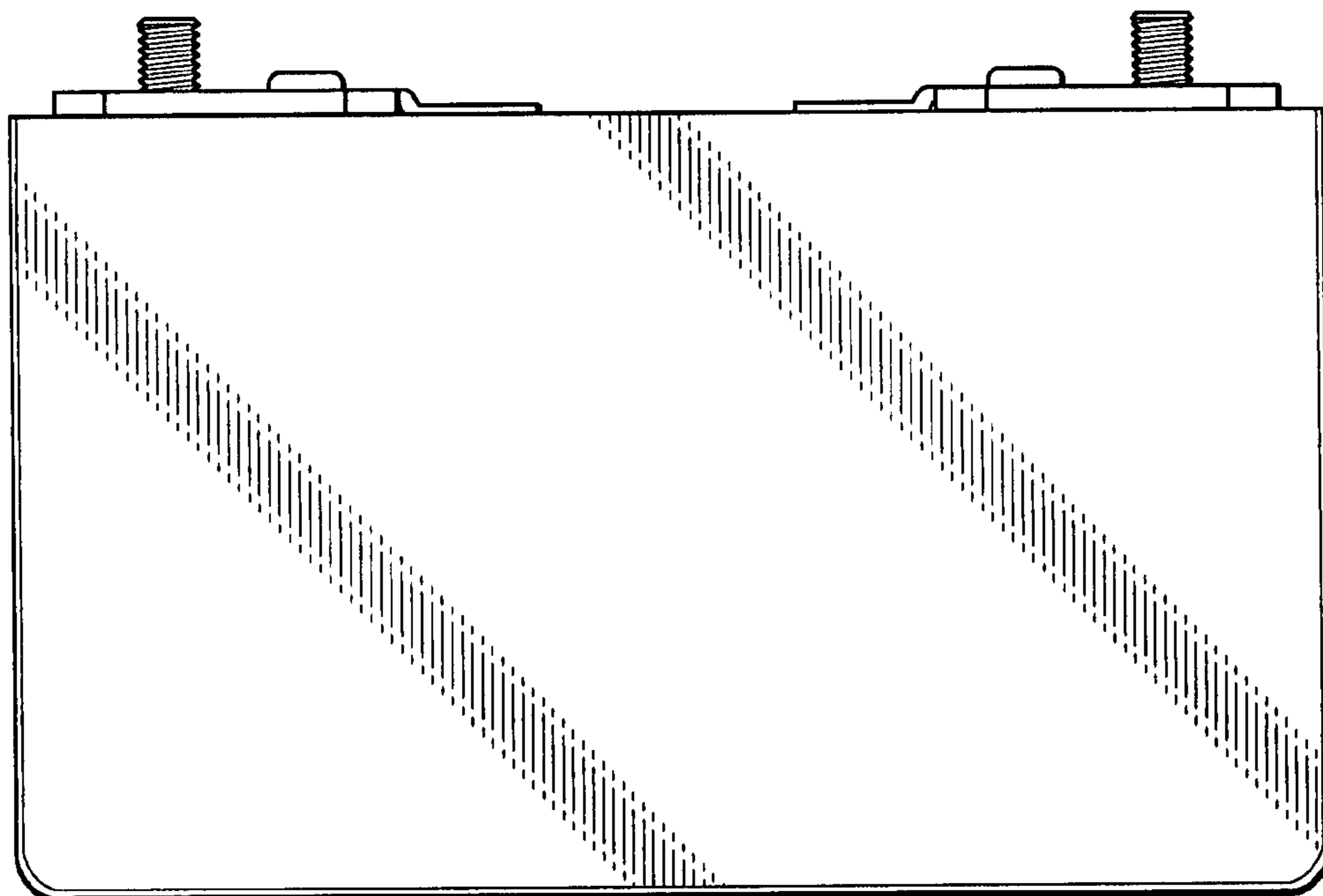


Fig. 6

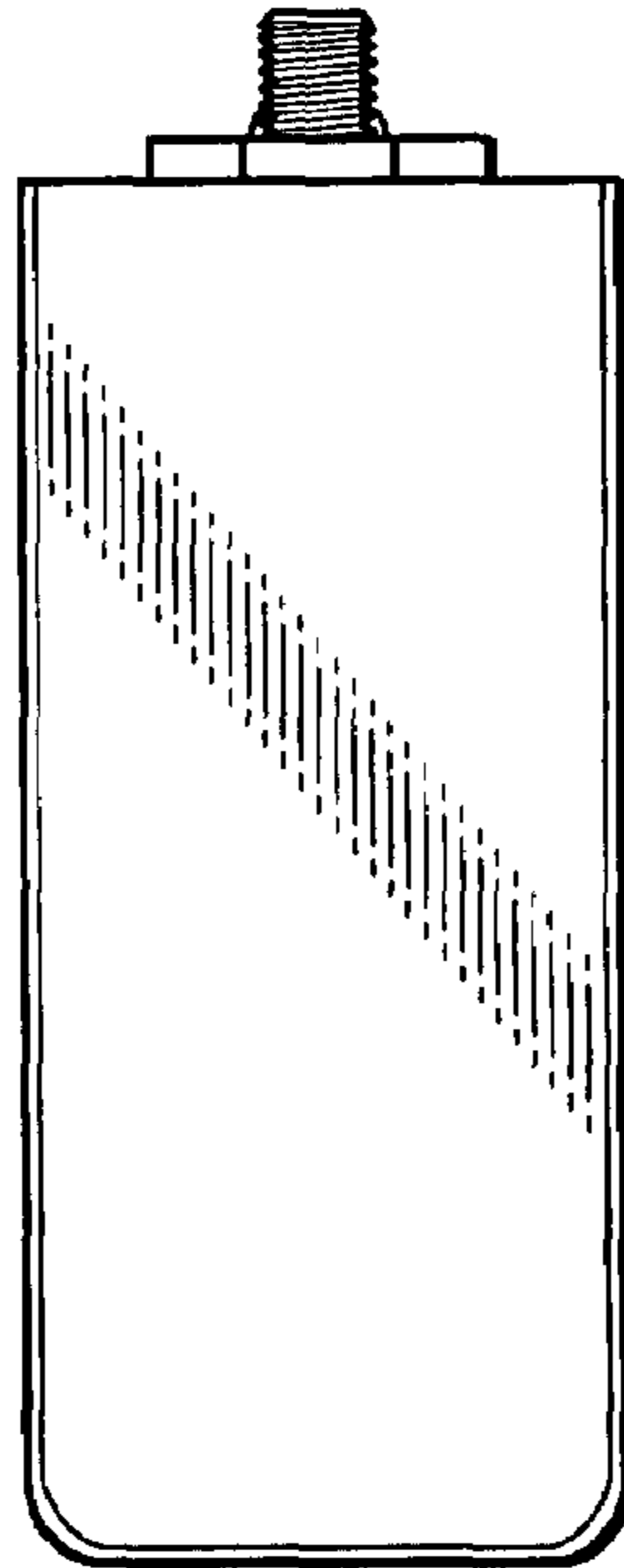


Fig. 7

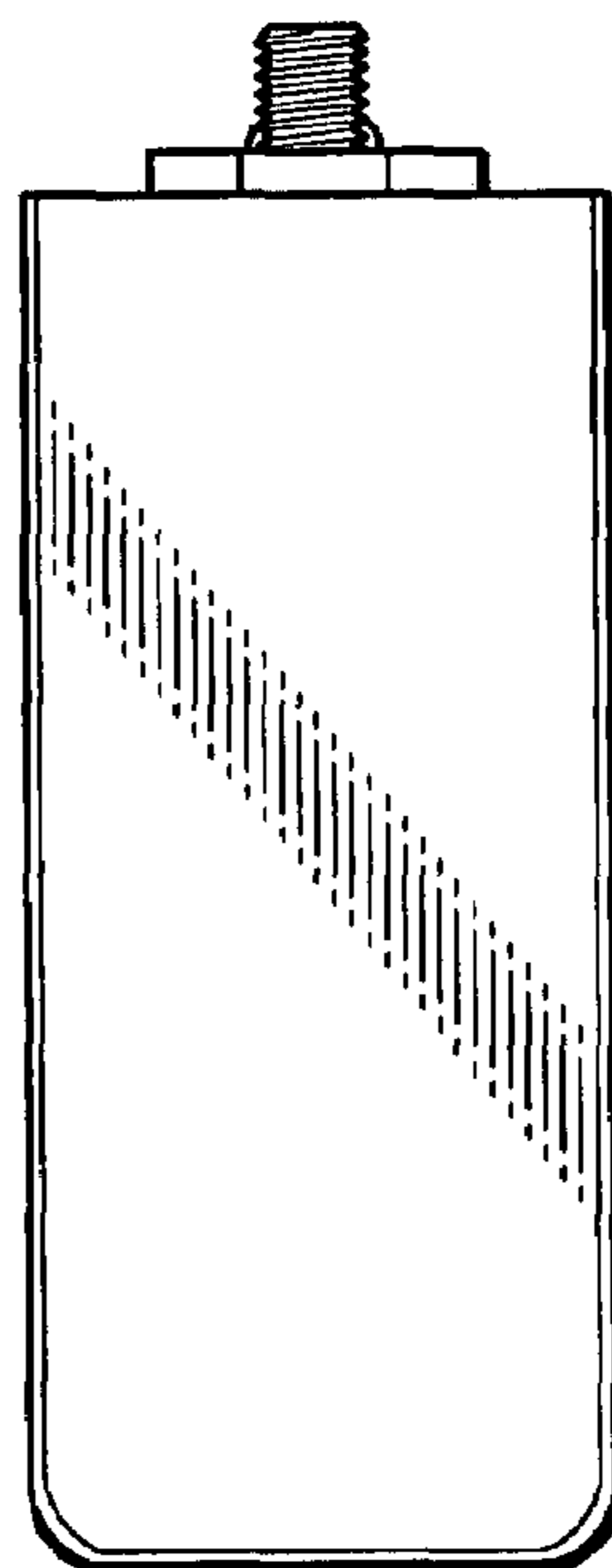


Fig. 8

