



US00D591221S

(12) **United States Design Patent**
Fontaine et al.

(10) **Patent No.:** **US D591,221 S**
(45) **Date of Patent:** **** Apr. 28, 2009**

(54) **TIRE**
(75) Inventors: **Sebastien Willy Fontaine**, Burden (LU);
Pascale de Briey-Terlinden, Attert
(BE); **Stephane Jose Geelen**,
Chaufontaine (BE)

(73) Assignee: **The Goodyear Tire & Rubber
Company**, Akron, OH (US)

(**) Term: **14 Years**

(21) Appl. No.: **29/318,078**

(22) Filed: **May 13, 2008**

(51) **LOC (9) Cl.** **12-15**

(52) **U.S. Cl.** **D12/563**

(58) **Field of Classification Search** D12/533,
D12/546-567, 900-901; 152/209.1, 209.8-209.18,
152/209.25-209.28

See application file for complete search history.

(56) **References Cited**

U.S. PATENT DOCUMENTS

| | | | | |
|--------------|---------|---------------------------|-------|-------------|
| D360,861 S | 8/1995 | Graas et al. | | D12/147 |
| D361,966 S | 9/1995 | Graas et al. | | D12/146 |
| D362,420 S | 9/1995 | Heinen et al. | | D12/147 |
| D370,196 S | 5/1996 | Graas et al. | | D12/147 |
| D379,448 S | 5/1997 | Graas et al. | | D12/147 |
| D379,449 S | 5/1997 | Graas et al. | | D12/151 |
| D379,787 S | 6/1997 | Maxwell et al. | | D12/147 |
| D402,246 S * | 12/1998 | Guspodin et al. | | D12/563 |
| D426,855 S * | 6/2000 | Niwa et al. | | D12/563 |
| D429,194 S | 8/2000 | Heinen et al. | | D12/147 |
| D431,800 S | 10/2000 | Heinen et al. | | D12/147 |
| D441,328 S | 5/2001 | Heinen et al. | | D12/146 |
| D451,068 S | 11/2001 | Heinen et al. | | D12/547 |
| D451,868 S | 12/2001 | Graas et al. | | D12/147 |
| D455,116 S | 4/2002 | Graas et al. | | D12/553 |
| D491,130 S * | 6/2004 | Welbes | | D12/563 |
| D504,106 S | 4/2005 | de Briey-Terlinden et al. | .. | D12/ 553 |

| | | | | |
|--------------|---------|------------------|-------|---------|
| D504,866 S | 5/2005 | Collette et al. | | D12/553 |
| D505,112 S | 5/2005 | Heinen et al. | | D12/567 |
| D509,786 S * | 9/2005 | Matsumoto et al. | | D12/563 |
| D526,956 S * | 8/2006 | Welbes et al. | | D12/553 |
| D533,131 S | 12/2006 | Fontaine et al. | | D12/588 |
| D556,670 S * | 12/2007 | Fontaine et al. | | D12/553 |
| D562,220 S * | 2/2008 | Youn | | D12/563 |
| D575,726 S * | 8/2008 | Fontaine et al. | | D12/564 |

* cited by examiner

Primary Examiner—Stacia Cadmus

(74) *Attorney, Agent, or Firm*—Richard B. O’Planick

(57) **CLAIM**

The ornamental design for a tire, as shown and described.

DESCRIPTION

FIG. 1 is a perspective view of a tire showing my/our new design, it being understood that the pattern repeats uniformly throughout the circumference of the tread;

FIG. 2 is a front elevational view thereof;

FIG. 3 is a right side elevational view thereof, the other side being a mirror image thereof;

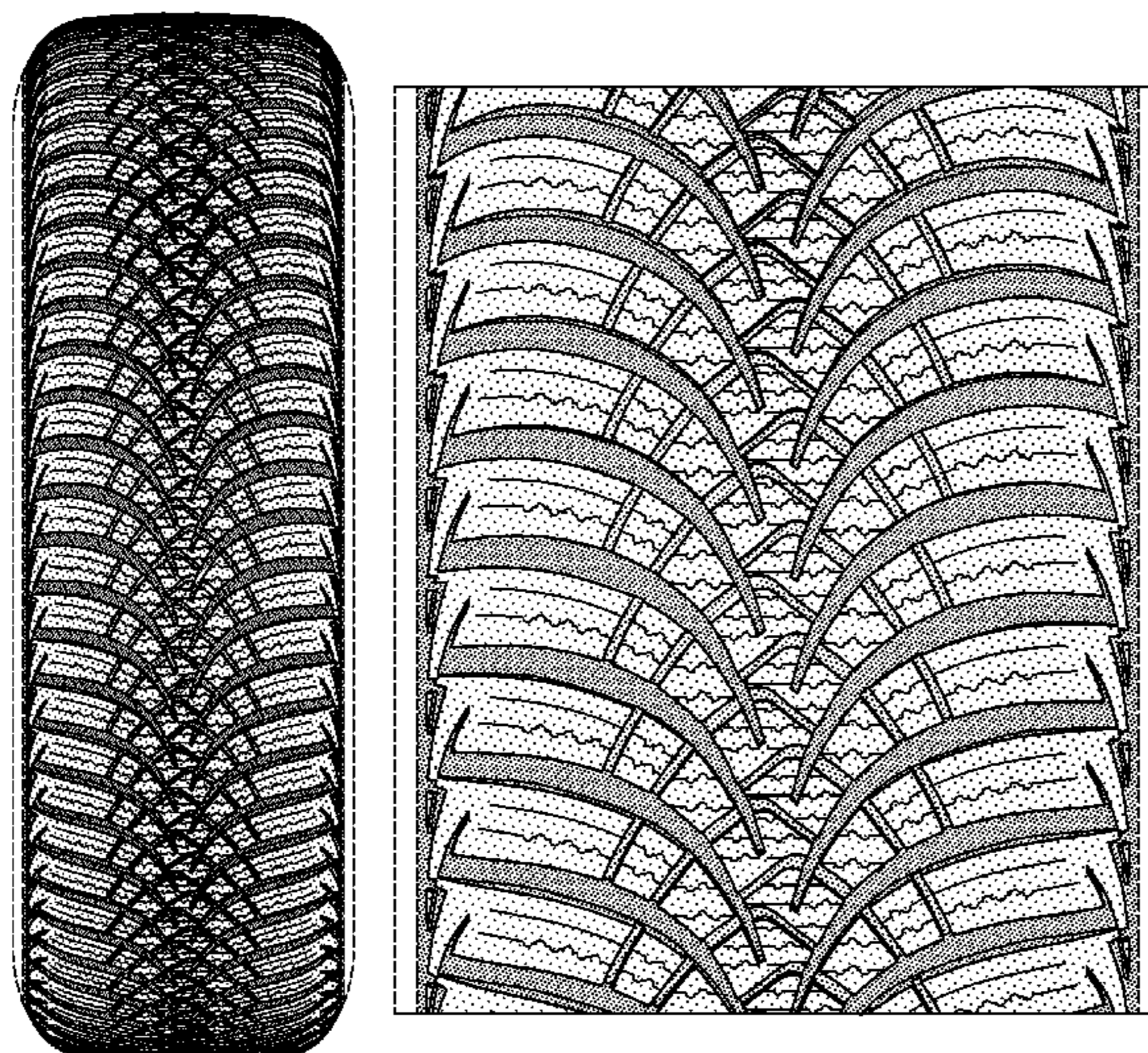
FIG. 4 is an enlarged fragmentary front elevational view thereof;

FIG. 5 is a perspective view of a second embodiment of a tire showing our new design, it being understood that the pattern repeats uniformly throughout the circumference of the tread and that the opposite side perspective view is a mirror image thereof; and,

FIG. 6 is a front elevational view of a second embodiment, it being understood that an enlarged fragmentary view thereof would be substantially identical to that shown in FIG. 4, with the exception of the inclusion of the sidewall in solid lines.

In the drawings, the broken lines defining the sidewall, inner bead and the peripheral boundary between the claimed tire tread and the unclaimed sidewall depict environmental subject matter that forms no part of the claimed design.

1 Claim, 6 Drawing Sheets



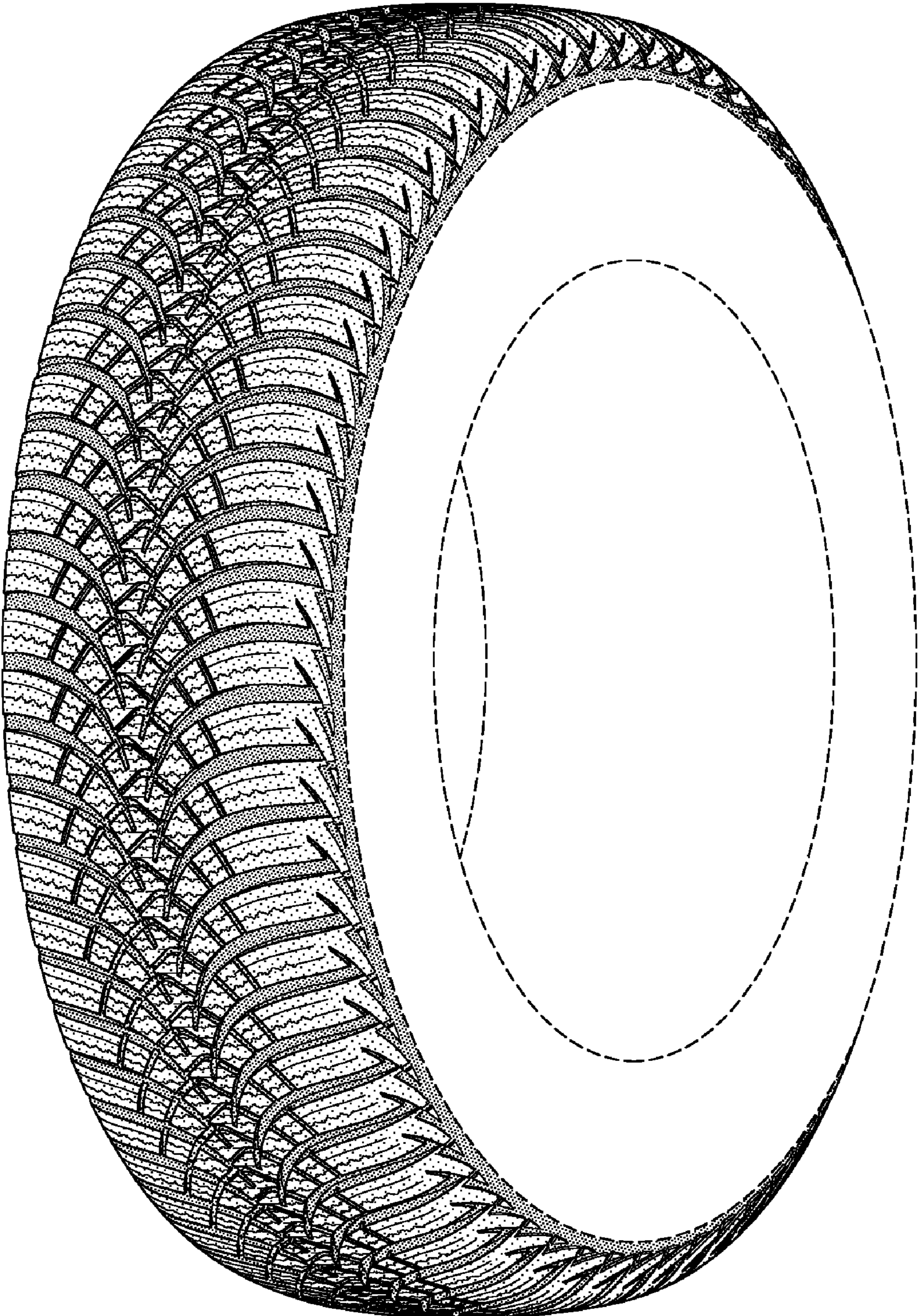


FIG-1

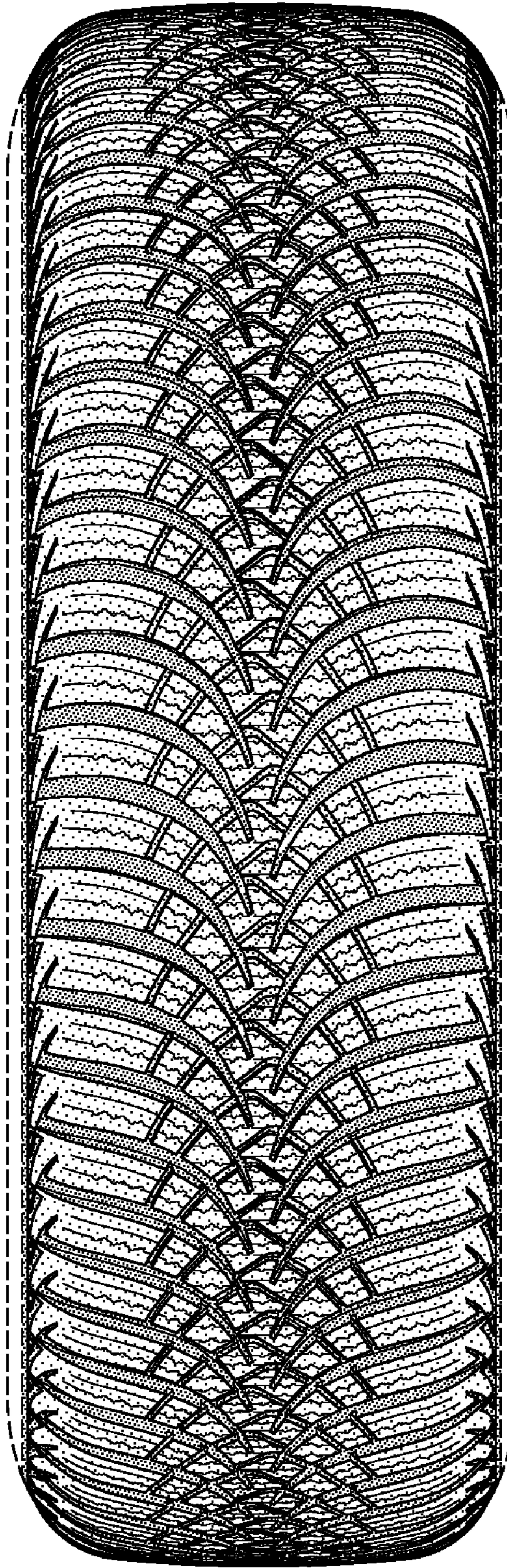


FIG-2

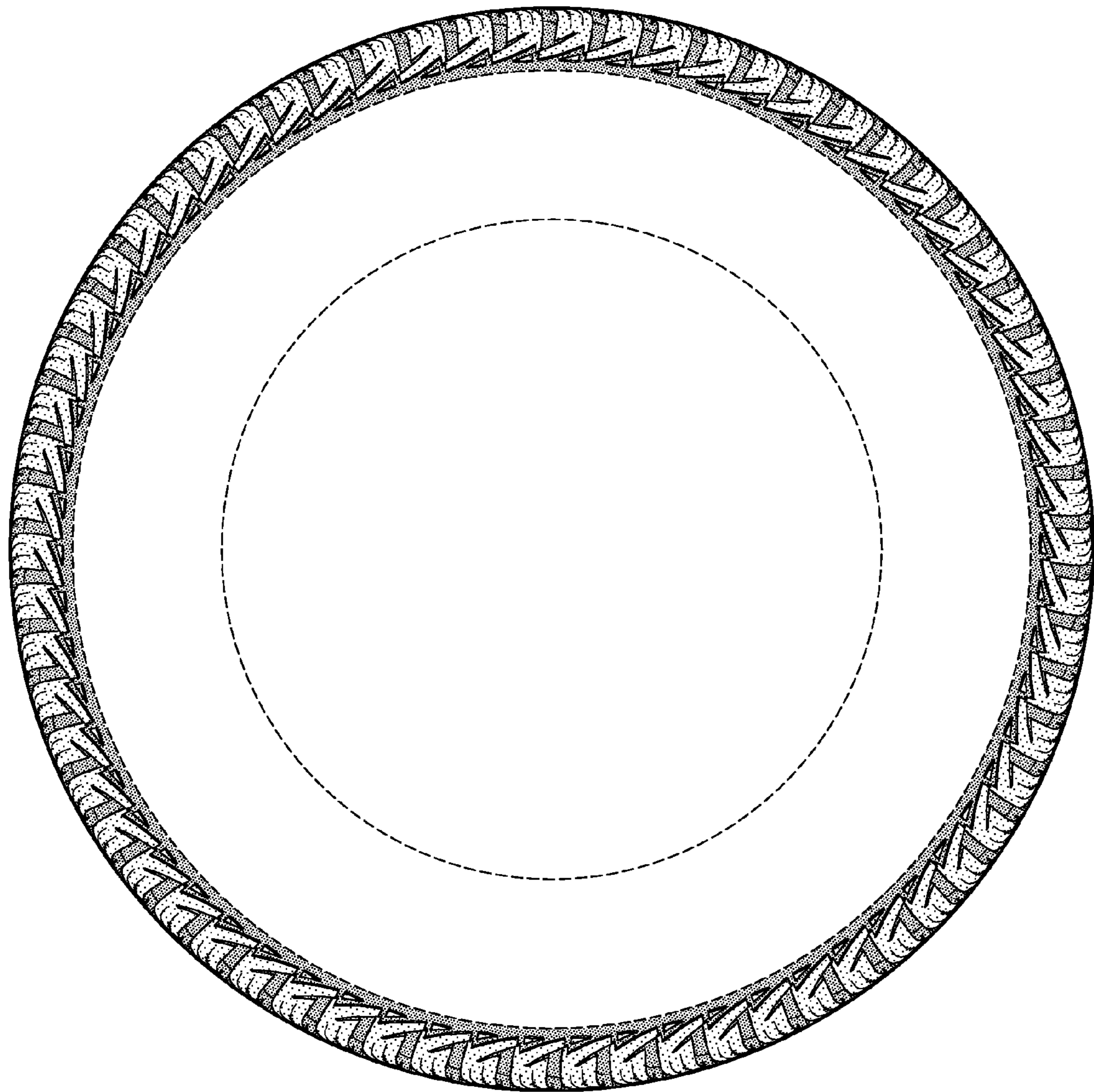


FIG-3

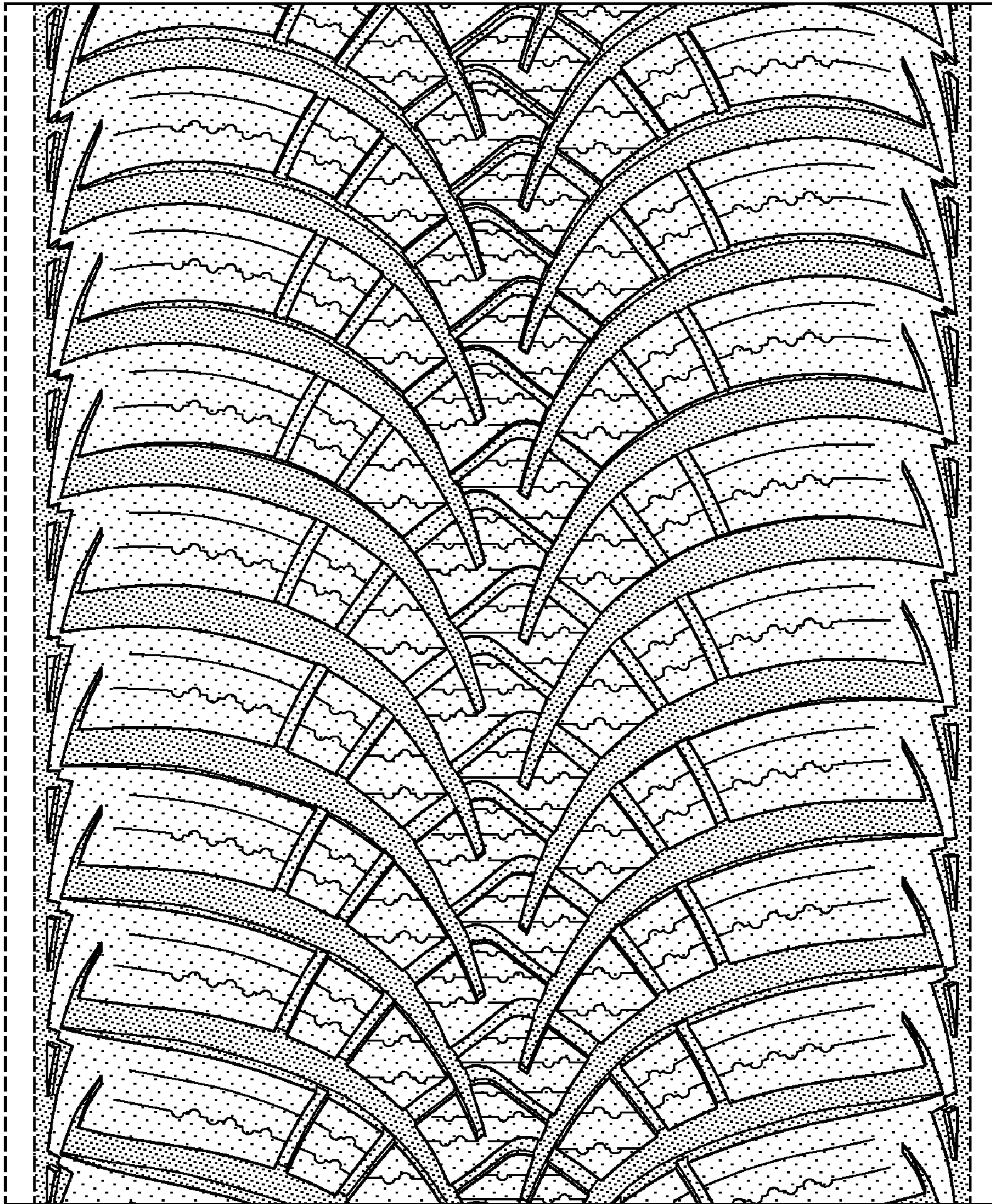


FIG-4

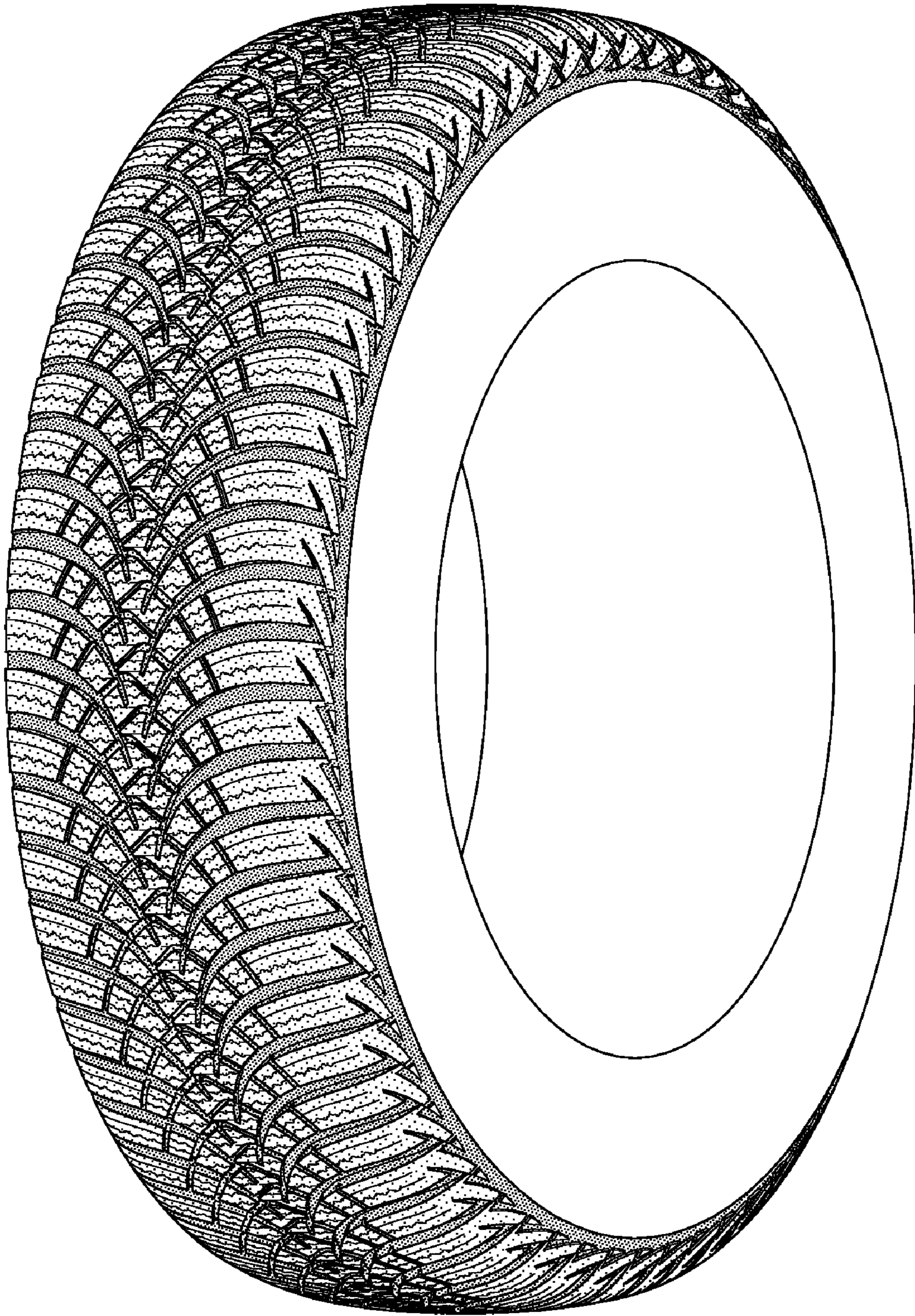


FIG-5

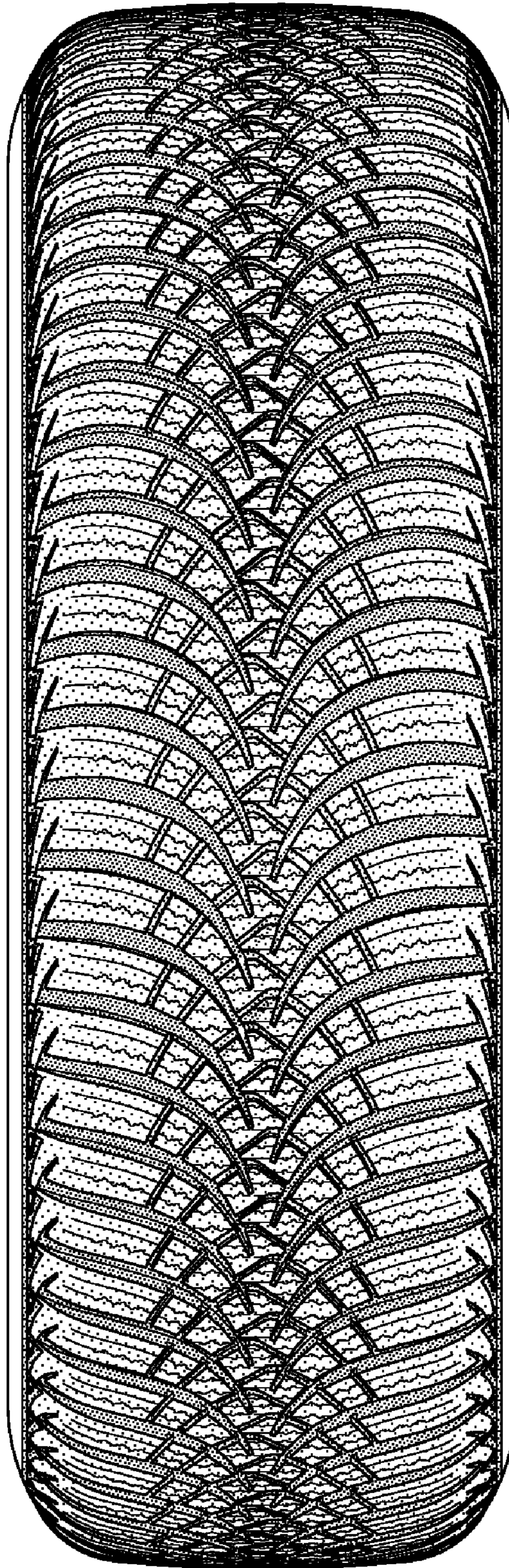


FIG-6