



US00D591217S

(12) **United States Design Patent**
Klein

(10) **Patent No.:** **US D591,217 S**

(45) **Date of Patent:** **** *Apr. 28, 2009**

(54) **FRONT FACE OF A VEHICLE WHEEL**

(75) Inventor: **Thorsten Klein**, Sindelfingen (DE)

(73) Assignee: **Daimler AG**, Stuttgart (DE)

(*) Notice: This patent is subject to a terminal disclaimer.

(**) Term: **14 Years**

(21) Appl. No.: **29/290,271**

(22) Filed: **Nov. 13, 2007**

(30) **Foreign Application Priority Data**

May 14, 2007 (EM) 000722376-0002

(51) **LOC (9) Cl.** **12-16**

(52) **U.S. Cl.** **D12/209**

(58) **Field of Classification Search** D12/204–213;
301/37.101, 64.101, 65, 64.201
See application file for complete search history.

(56) **References Cited**

U.S. PATENT DOCUMENTS

- D374,646 S * 10/1996 Abbott D12/209
- D452,839 S * 1/2002 Muth et al. D12/209
- D480,348 S * 10/2003 Donikoglu D12/211
- D481,664 S * 11/2003 Vian D12/211
- D483,313 S * 12/2003 Lenz D12/209
- D486,110 S * 2/2004 Elmitt D12/211
- D519,902 S * 5/2006 Pfeiffer D12/209

- D522,431 S * 6/2006 Hieke D12/209
- D522,946 S * 6/2006 Hieke D12/209
- D525,183 S * 7/2006 Pfeiffer D12/209
- D538,728 S * 3/2007 Pfeiffer D12/209
- D540,236 S * 4/2007 Hamano D12/209
- D544,426 S * 6/2007 Siler D12/209
- D553,066 S * 10/2007 Young D12/209
- D570,274 S * 6/2008 Scheu D12/211
- D572,185 S * 7/2008 Pollmann D12/211
- D579,847 S * 11/2008 Hieke D12/211
- D580,334 S * 11/2008 Blasi D12/211

* cited by examiner

Primary Examiner—Stacia Cadmus

(74) *Attorney, Agent, or Firm*—Crowell & Moring LLP

(57) **CLAIM**

The ornamental design for a front face of a vehicle wheel, as shown and described.

DESCRIPTION

FIG. 1 is a front view of a first embodiment of a front face of a vehicle wheel according to my novel design; and

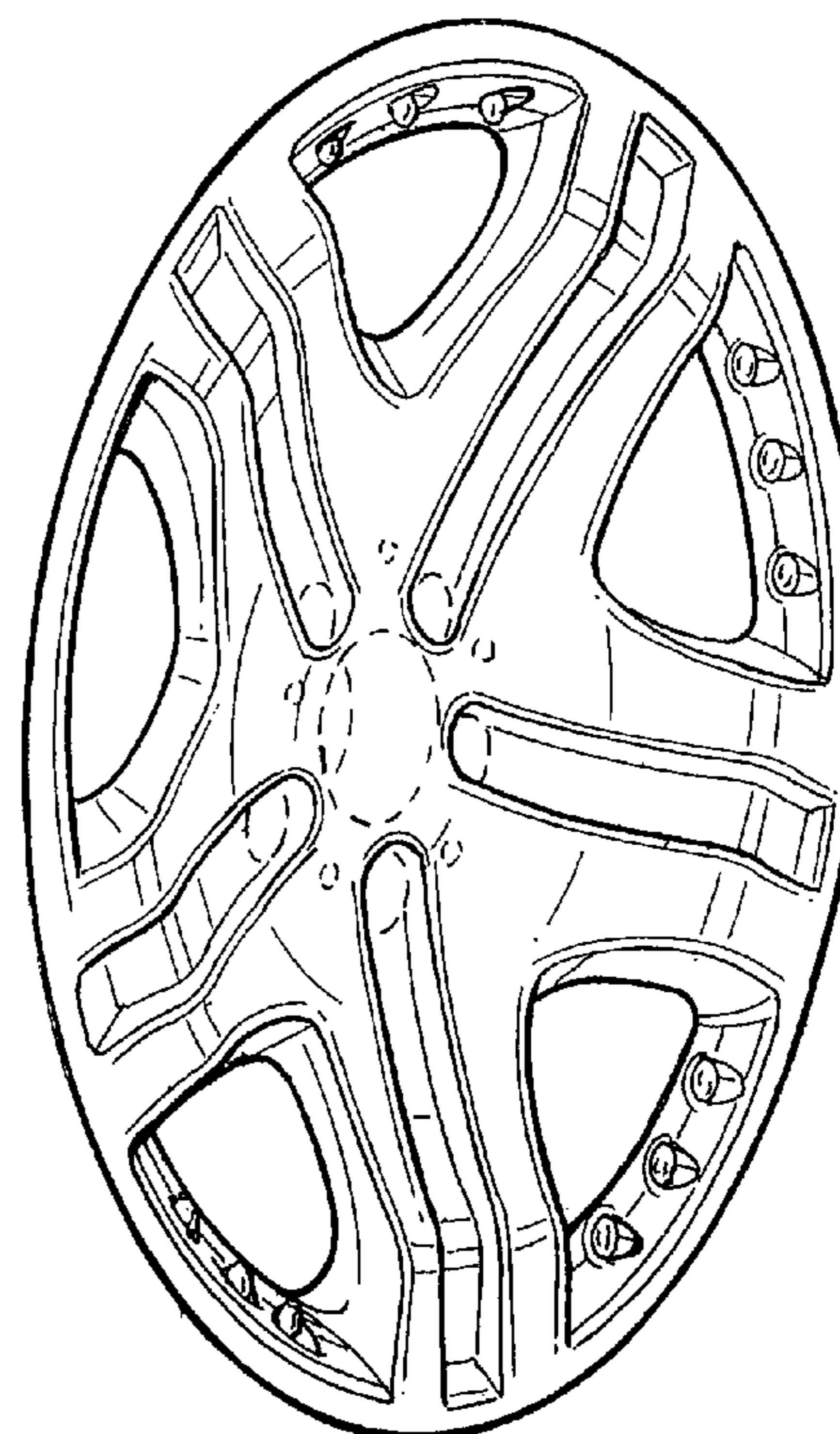
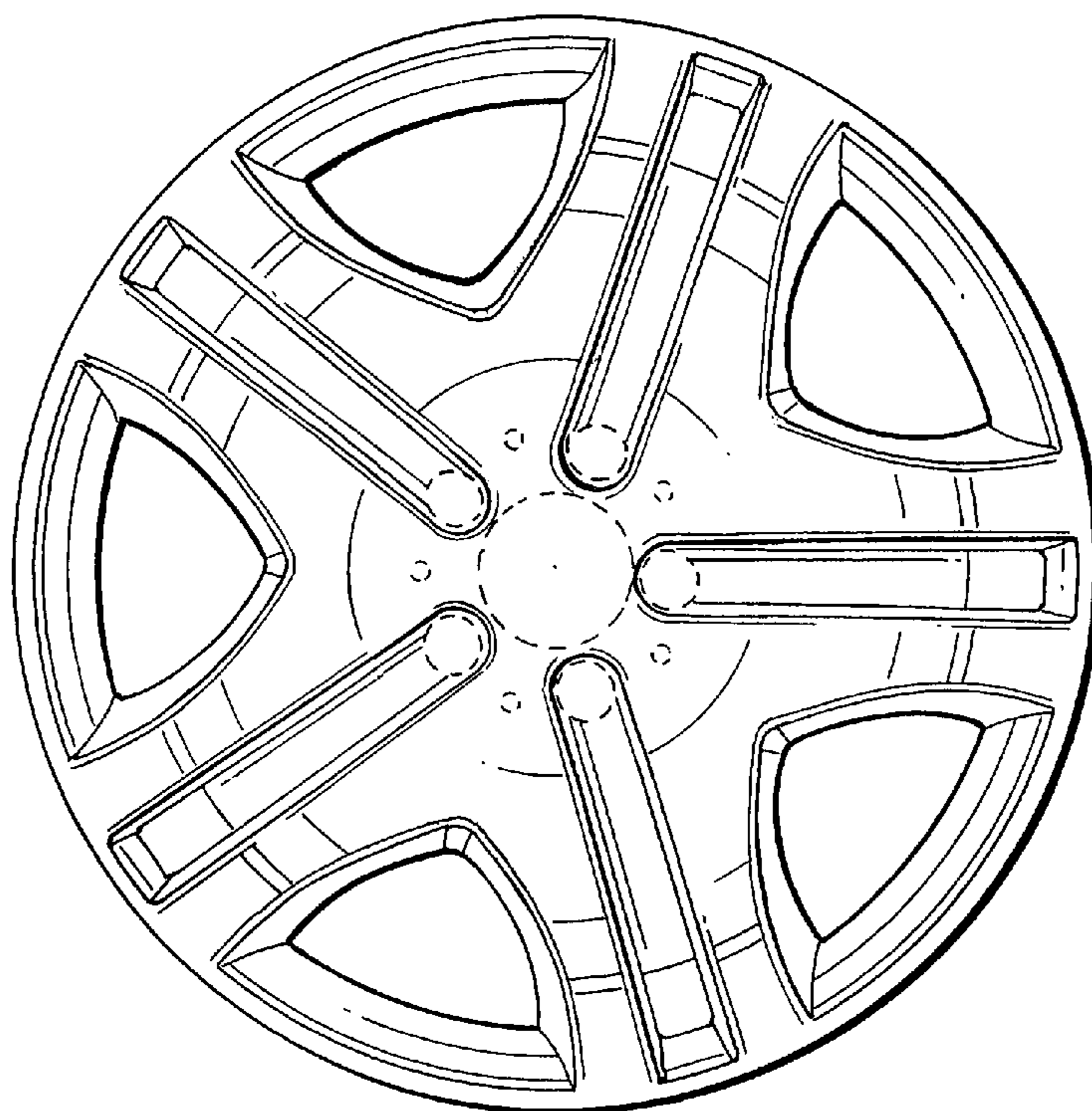
FIG. 2 is a perspective view thereof.

FIG. 3 is a front view of a second embodiment of the front face of a vehicle wheel according to my novel design; and,

FIG. 4 is a perspective view thereof.

The broken line showing of the bolt holes and center cap in the central hub area is included for the purpose of illustrating environment and forms no part of the claimed design.

1 Claim, 2 Drawing Sheets



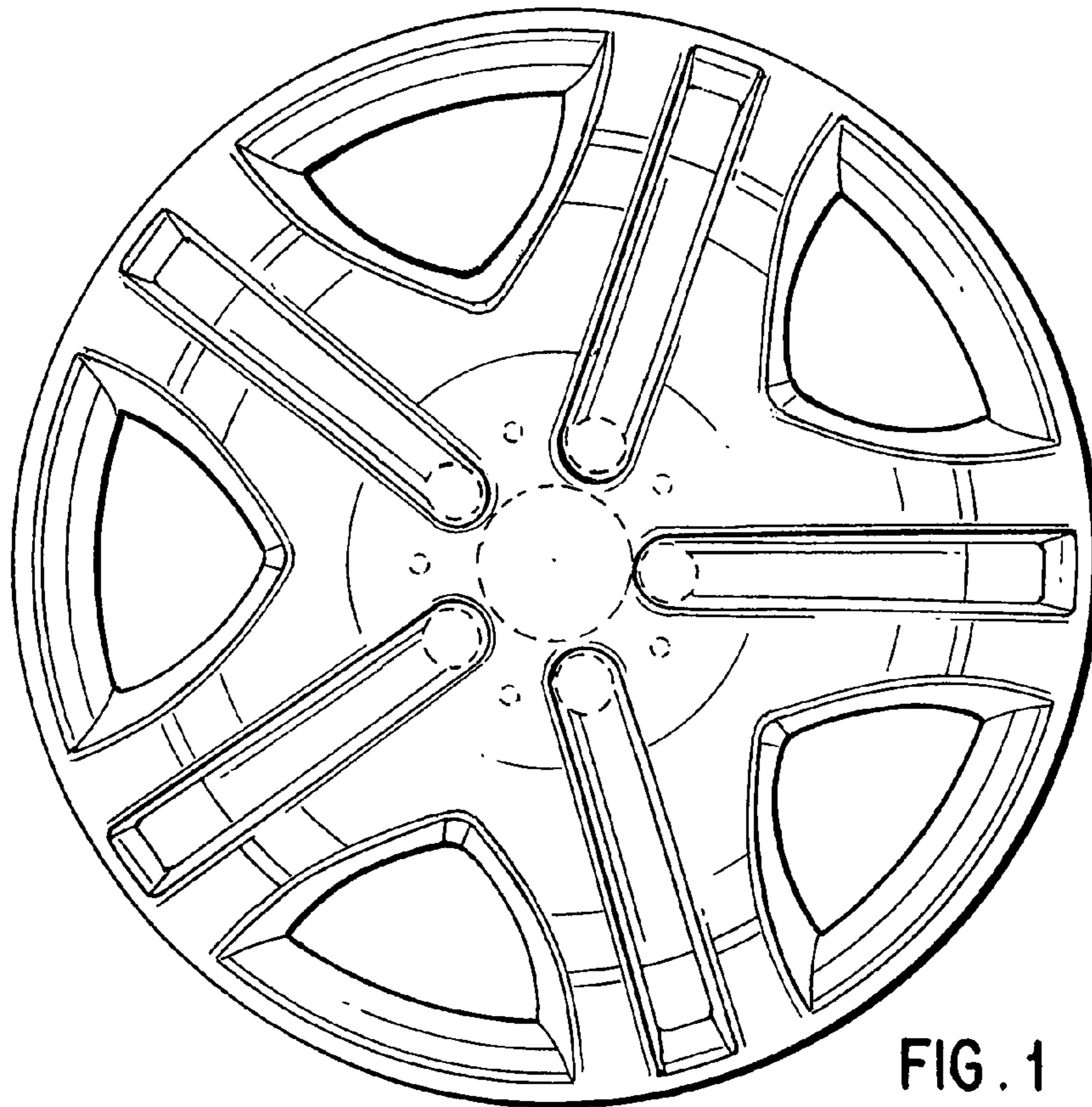


FIG. 1

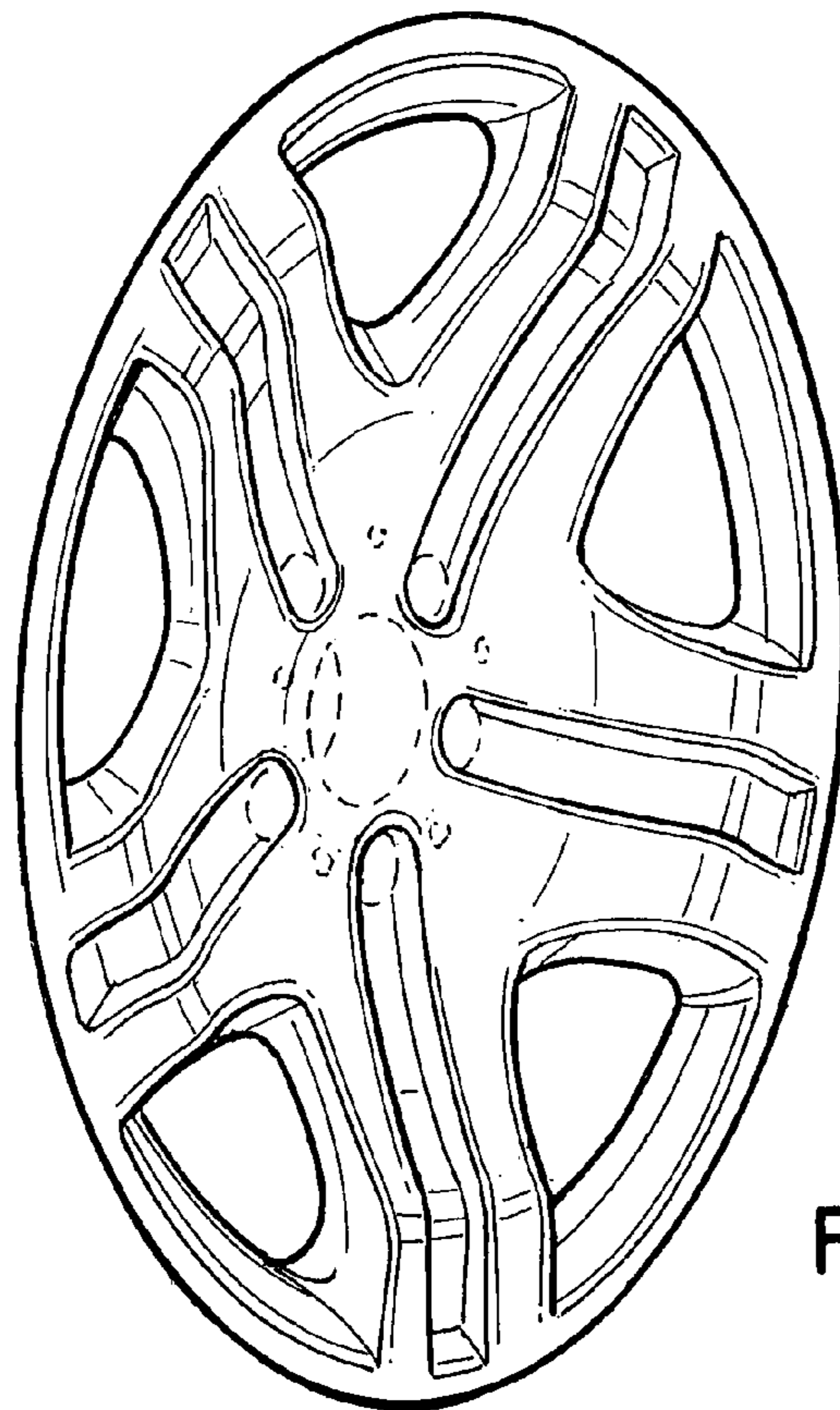


FIG. 2

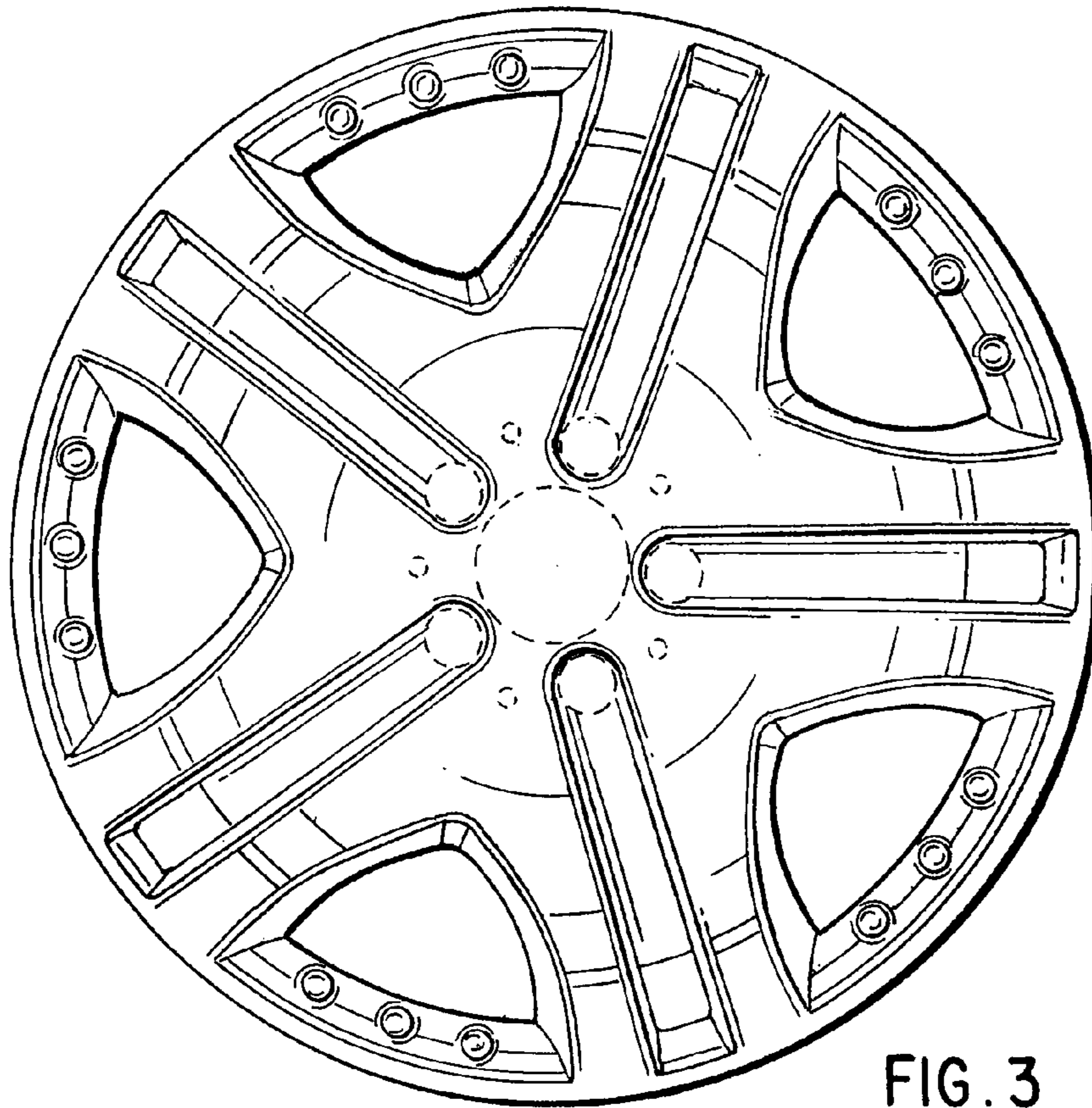


FIG. 3

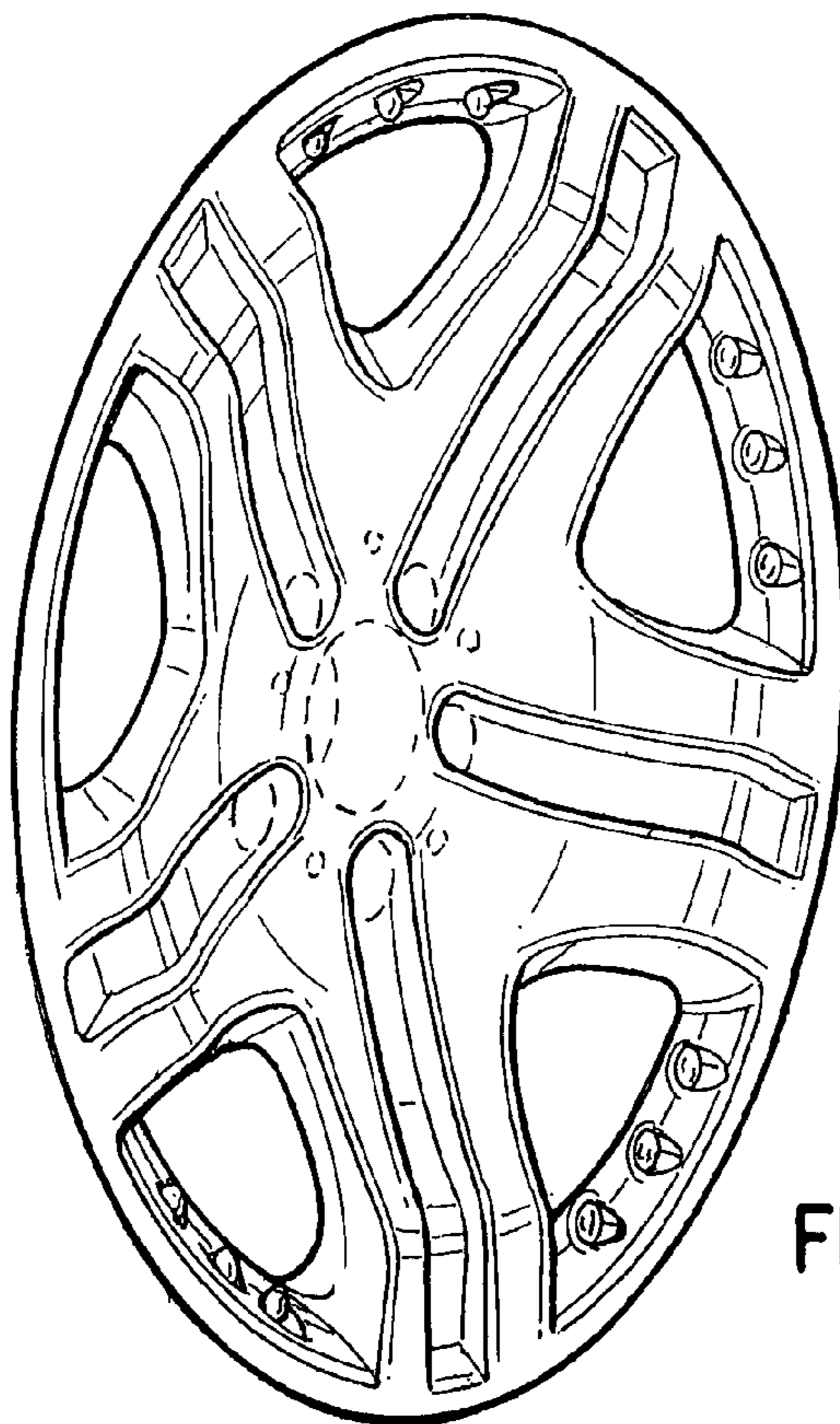


FIG. 4