



US00D591216S

(12) **United States Design Patent**
Laengerer

(10) **Patent No.:** **US D591,216 S**
(45) **Date of Patent:** **** Apr. 28, 2009**

(54) **FRONT FACE OF A VEHICLE WHEEL**

(75) Inventor: **Marcus Laengerer**, Renningen (DE)

(73) Assignee: **Bayerische Motoren Werke Aktiengesellschaft**, Munich (DE)

(**) Term: **14 Years**

(21) Appl. No.: **29/268,410**

(22) Filed: **Nov. 7, 2006**

(30) **Foreign Application Priority Data**

May 8, 2006 (DE) 4 06 02 604

(51) **LOC (9) Cl.** **12-16**

(52) **U.S. Cl.** **D12/209**

(58) **Field of Classification Search** D12/204-213;
301/37.101, 64.101, 65, 64.201
See application file for complete search history.

(56) **References Cited**

U.S. PATENT DOCUMENTS

D460,036 S *	7/2002	Yajima	D12/211
D477,266 S *	7/2003	Chung	D12/211
D486,110 S *	2/2004	Elmitt	D12/211
D504,649 S *	5/2005	Pfeiffer	D12/209
D505,903 S *	6/2005	Nordmann	D12/209
D507,223 S *	7/2005	Szavits	D12/209
D508,671 S *	8/2005	Baum	D12/209
D514,999 S	2/2006	Boyer		

D521,921 S *	5/2006	Hueller	D12/209
D522,949 S *	6/2006	Elmitt	D12/211
D524,712 S *	7/2006	Pfeiffer	D12/211
D528,060 S *	9/2006	Laengerer	D12/209
D529,429 S *	10/2006	Hsu	D12/209
D536,294 S *	2/2007	Laengerer	D12/211
D538,215 S *	3/2007	Laengerer et al.	D12/209
D541,204 S *	4/2007	Huet	D12/211
D551,150 S *	9/2007	Hueller	D12/211
D555,566 S *	11/2007	Hlinovsky	D12/209
D574,310 S *	8/2008	Huet	D12/209

FOREIGN PATENT DOCUMENTS

DE 40209836.6 11/2002

* cited by examiner

Primary Examiner—Cathron C Brooks

Assistant Examiner—Austin Murphy

(74) *Attorney, Agent, or Firm*—Crowell & Moring LLP

(57) **CLAIM**

The ornamental design for a front face of a vehicle wheel, as shown and described.

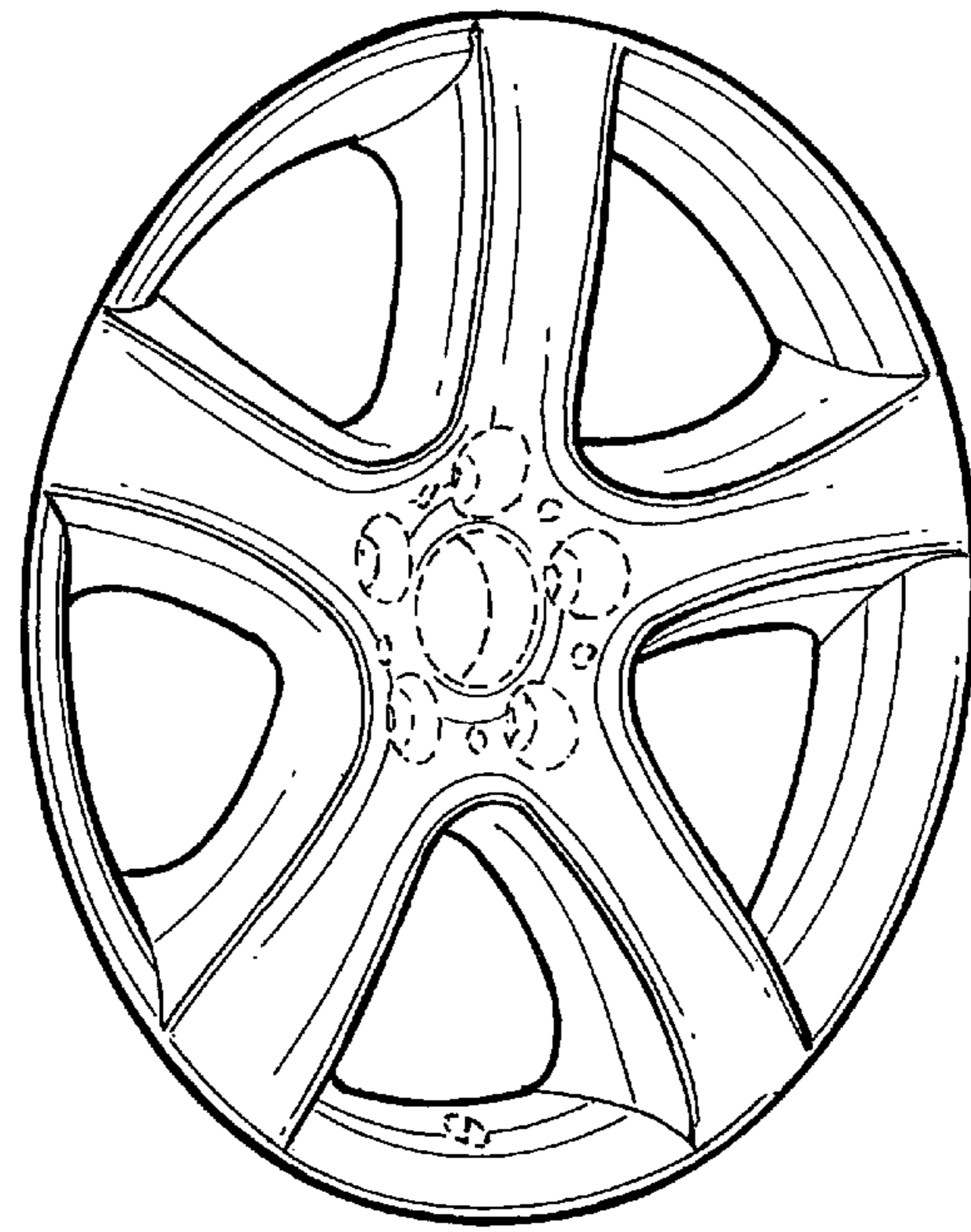
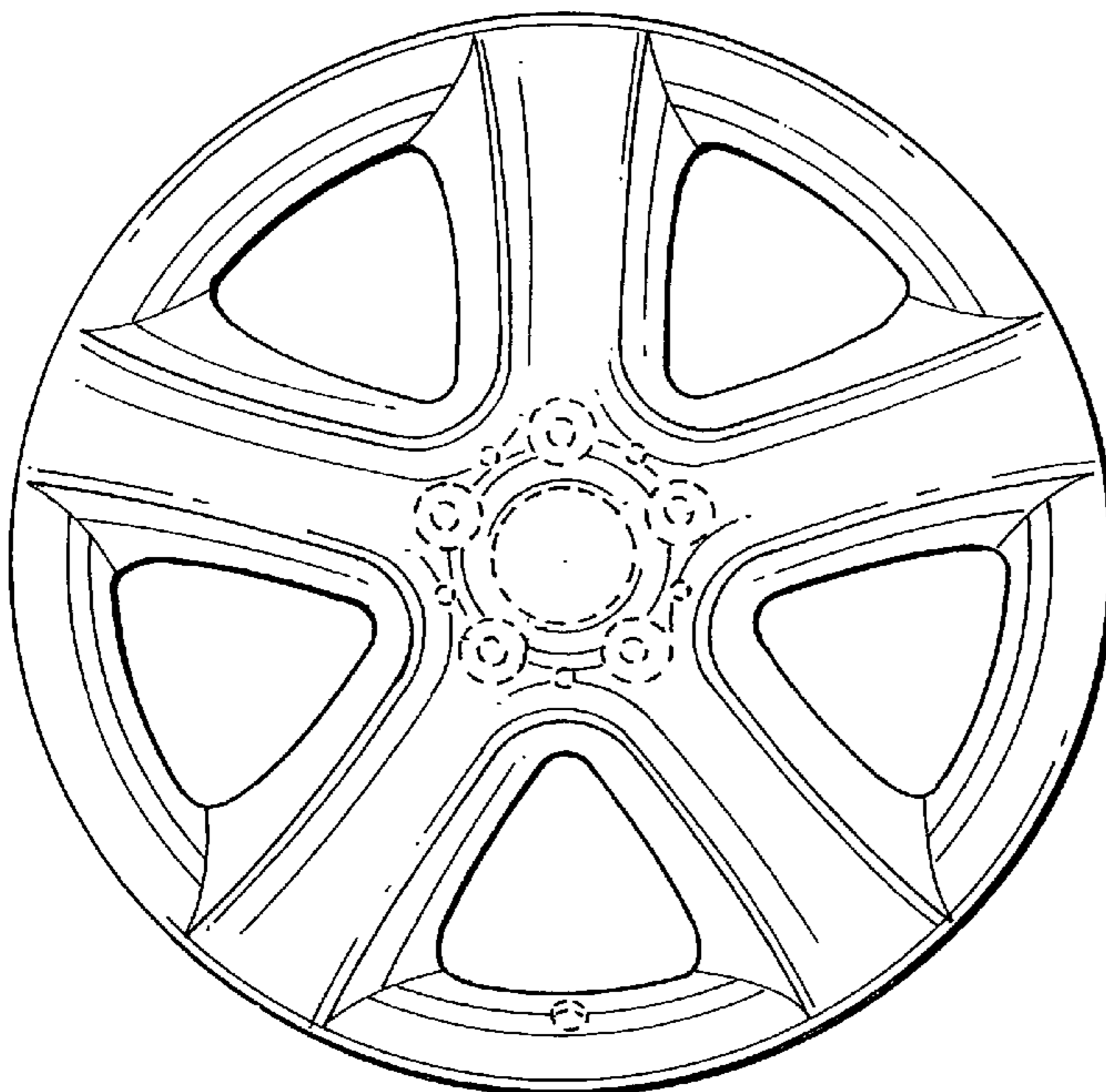
DESCRIPTION

FIG. 1 is a front view of a front face of a vehicle wheel according to my design; and,

FIG. 2 is a perspective view thereof.

The broken lines are for illustrative purposes only and form no part of the claimed design.

1 Claim, 1 Drawing Sheet



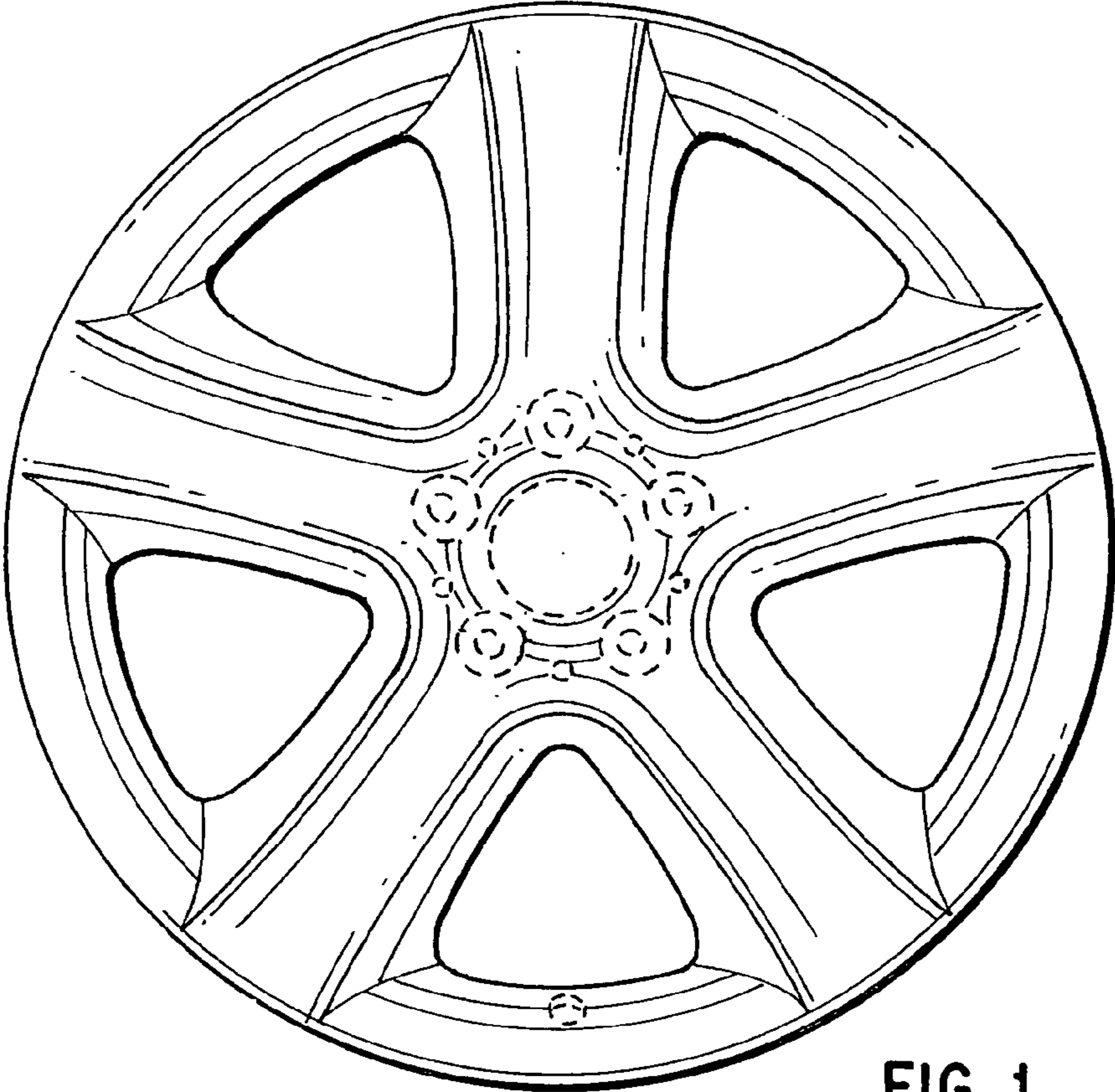


FIG. 1

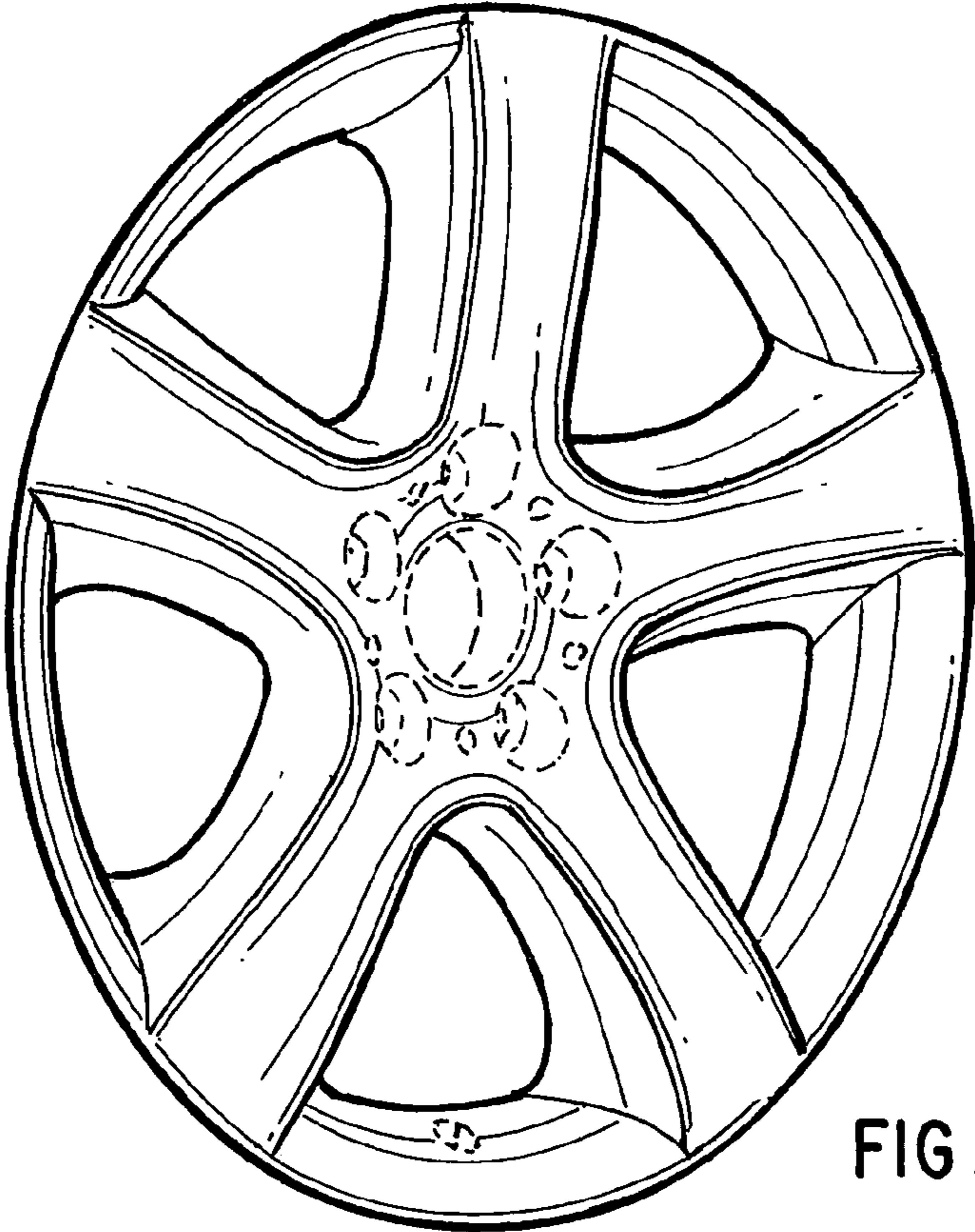


FIG. 2