



US00D591215S

(12) **United States Design Patent**  
**Weigand**

(10) **Patent No.:** **US D591,215 S**

(45) **Date of Patent:** **\*\* Apr. 28, 2009**

(54) **WHEEL HUB**

(75) Inventor: **Werner Weigand**, Bessenbach (DE)

(73) Assignee: **SAF-Holland GmbH**, Bessenbach (DE)

(\*\*) Term: **14 Years**

(21) Appl. No.: **29/249,264**

(22) Filed: **Sep. 29, 2006**

(30) **Foreign Application Priority Data**

Apr. 5, 2006 (DE) ..... 4 06 02 044

(51) **LOC (9) Cl.** ..... **12-16**

(52) **U.S. Cl.** ..... **D12/207**

(58) **Field of Classification Search** ..... D12/207,  
D12/209, 210

See application file for complete search history.

(56) **References Cited**

**U.S. PATENT DOCUMENTS**

- D381,615 S \* 7/1997 Smith et al. .... D12/207
- D502,678 S \* 3/2005 Weld ..... D12/210
- D504,378 S \* 4/2005 Grossenbacher et al. ... D12/209
- D519,433 S \* 4/2006 Finn et al. .... D12/210
- D519,904 S \* 5/2006 Burns ..... D12/209

- D531,949 S \* 11/2006 Arora ..... D12/209
- D535,932 S \* 1/2007 Lorinser ..... D12/209
- D536,291 S \* 2/2007 Wright et al. .... D12/207
- D537,768 S \* 3/2007 McMath ..... D12/213
- D551,151 S \* 9/2007 Orell et al. .... D12/213

\* cited by examiner

*Primary Examiner*—Caron Veynar

*Assistant Examiner*—Katrina A Kile

(74) *Attorney, Agent, or Firm*—Stites & Harbison PLLC;  
Douglas E. Jackson

(57) **CLAIM**

The ornamental design for a wheel hub, as shown and described.

**DESCRIPTION**

FIG. 1 is front view of a wheel hub according to the present invention.

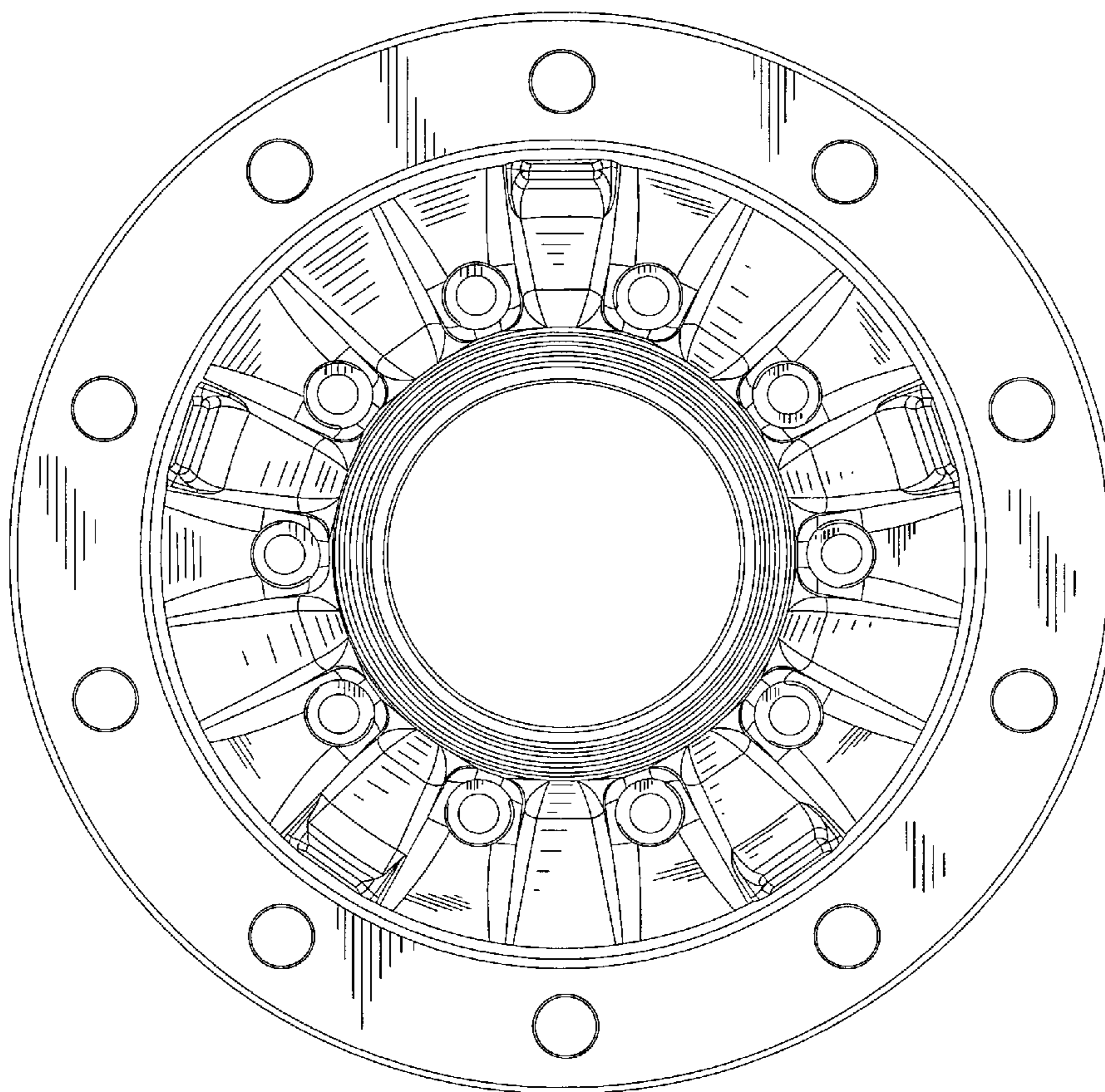
FIG. 2 is a left side view of the wheel hub depicted in FIG. 1.

FIG. 3 is rear view of the wheel hub depicted in FIG. 1; and,

FIG. 4 is a perspective front, top and right side view of the wheel hub depicted in FIG. 1.

In the drawings, the broken lines in FIG. 3 depict portions of a wheel hub that form no part of the claimed design.

**1 Claim, 4 Drawing Sheets**



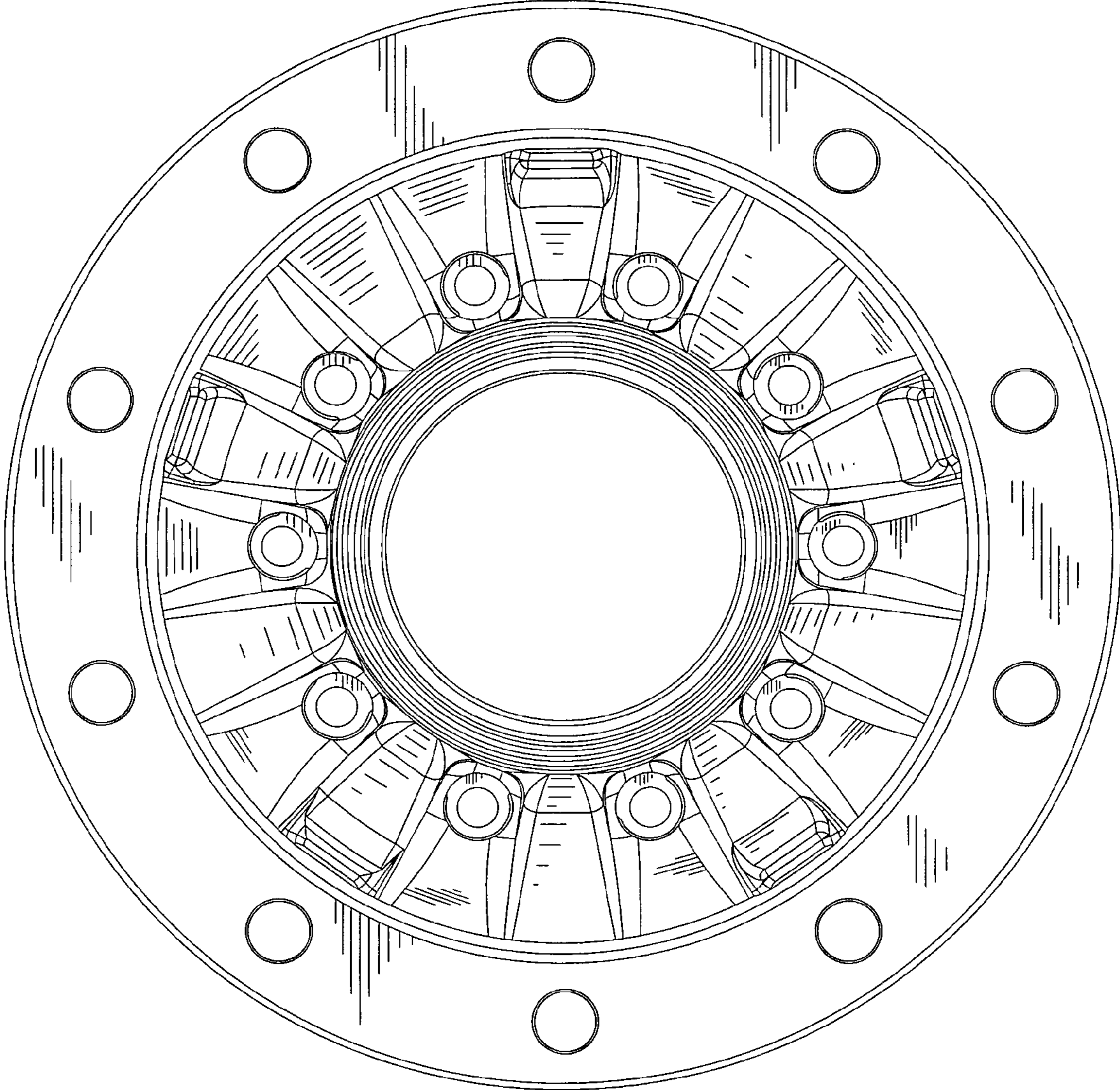


Fig. 1

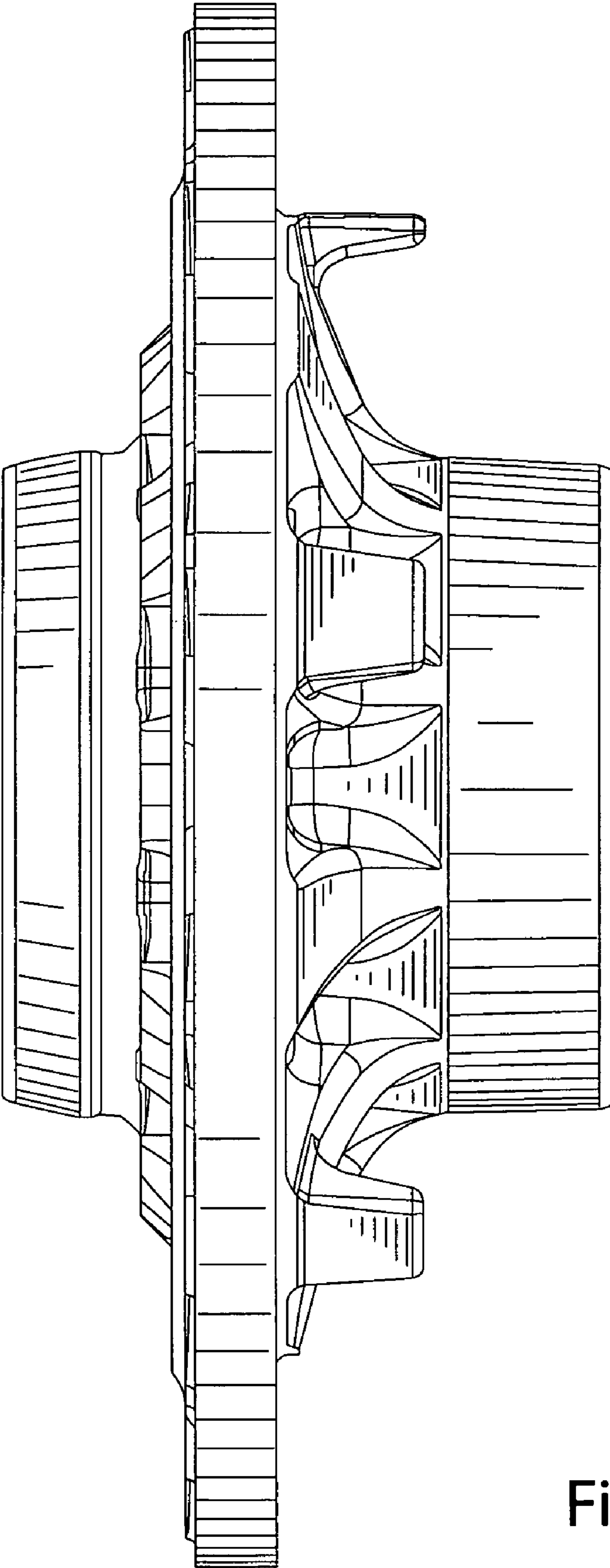


Fig. 2

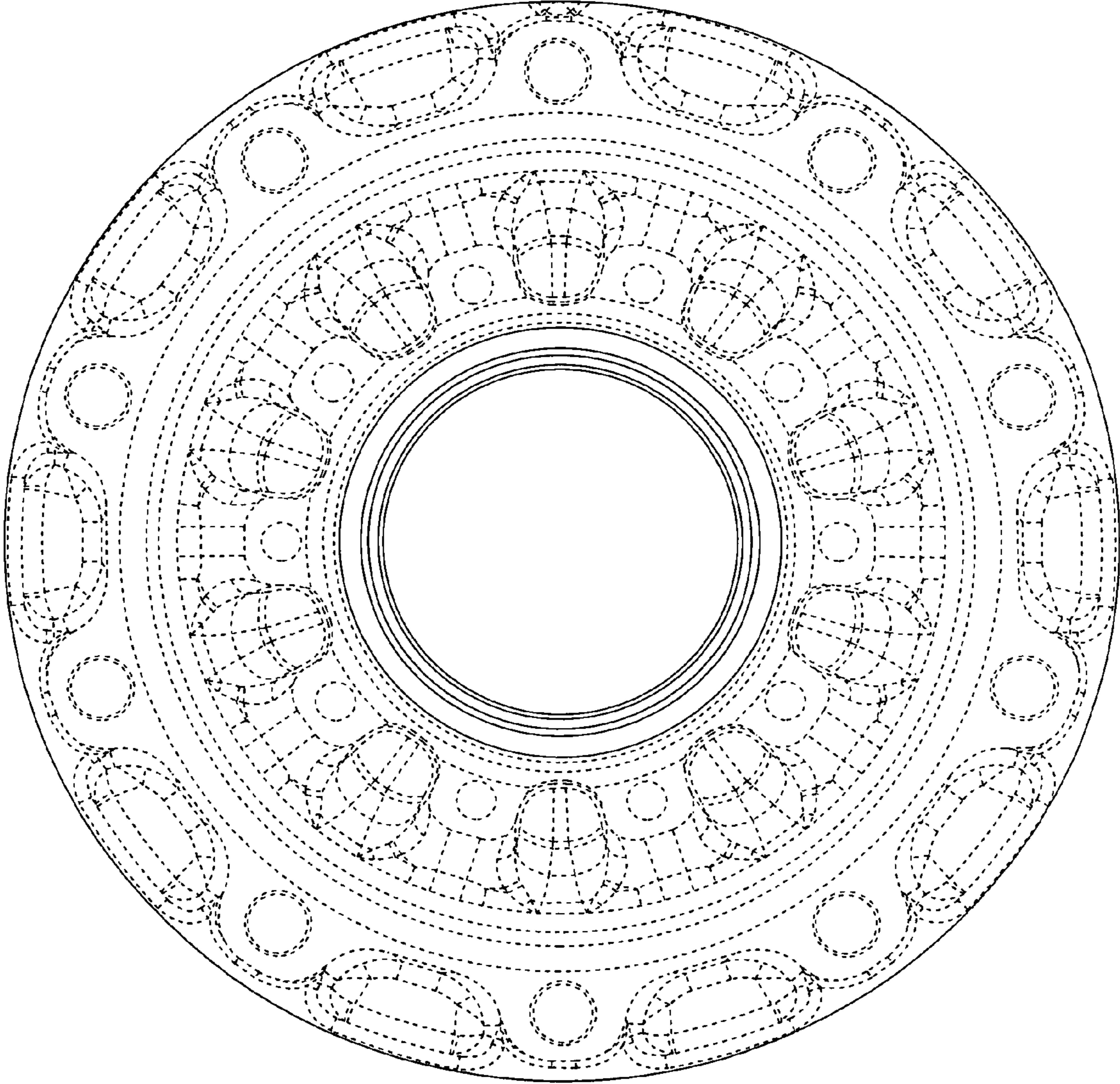


Fig. 3

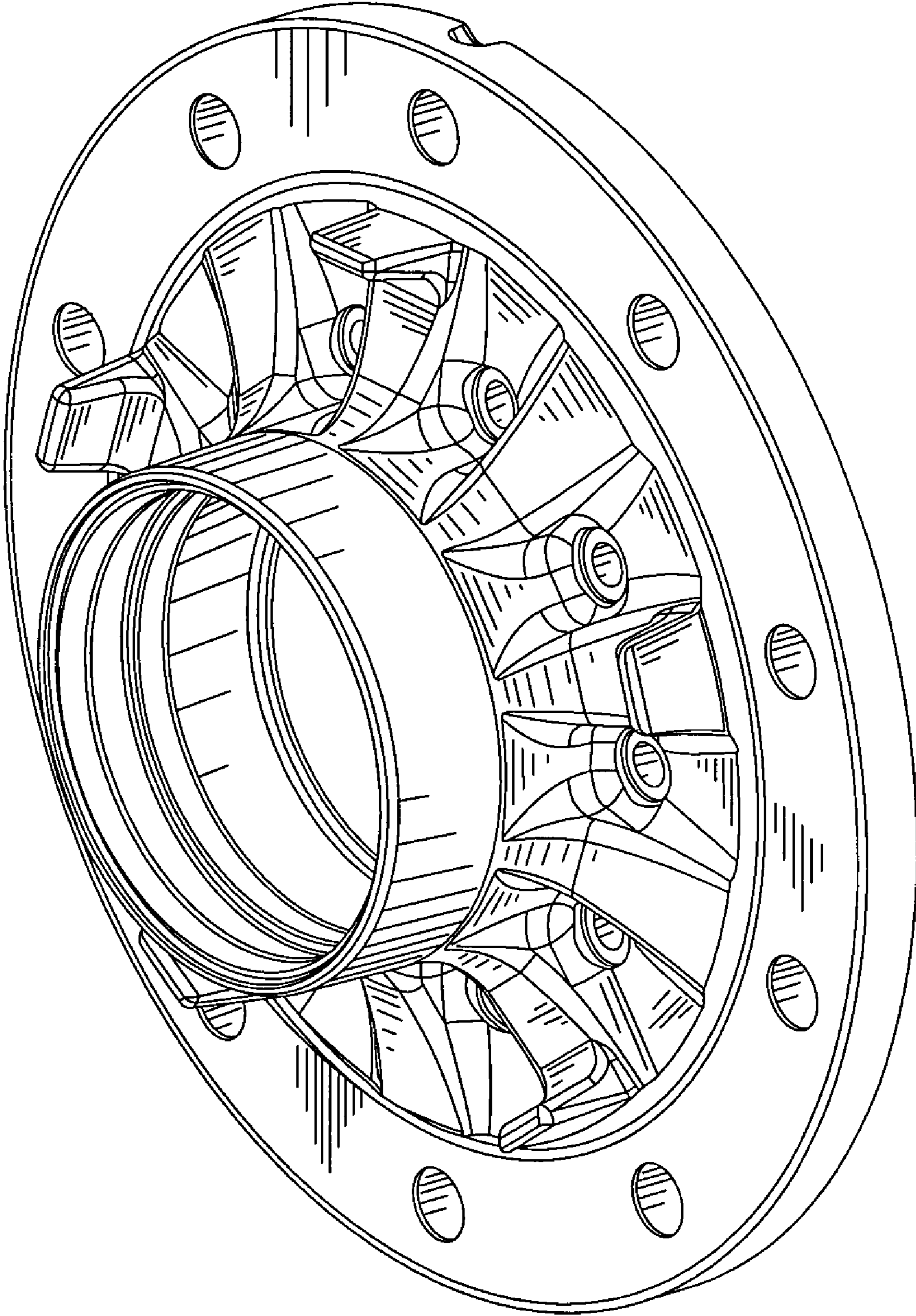


Fig. 4