



US00D591208S

(12) **United States Design Patent**
Wubker, Jr.

(10) **Patent No.:** **US D591,208 S**

(45) **Date of Patent:** **** Apr. 28, 2009**

(54) **RECEIVER HITCH**

(76) Inventor: **Roy Wubker, Jr.**, 10291 Ironwood Rd.,
Palm Beach Gardens, FL (US) 33410

(**) Term: **14 Years**

(21) Appl. No.: **29/304,566**

(22) Filed: **Mar. 4, 2008**

(51) **LOC (9) Cl.** **12-16**

(52) **U.S. Cl.** **D12/162**

(58) **Field of Classification Search** 224/400,
224/401, 402, 404, 428, 430, 431, 494, 512,
224/519, 520, 521; D12/106, 199, 161, 162,
D12/400, 420; 280/186, 402-405.1, 405.2,
280/407, 407.1, 416.2, 455.1, 491, 491.5,
280/511, 512, 513

See application file for complete search history.

(56) **References Cited**

U.S. PATENT DOCUMENTS

D384,924 S * 10/1997 Hanson et al. D12/162
6,390,489 B1 * 5/2002 Friesen 280/504
D462,037 S * 8/2002 Pancheri et al. D12/162
6,474,522 B1 * 11/2002 Johnson 224/515

D518,421 S * 4/2006 Blankenship, Jr. D12/162
D576,526 S * 9/2008 McBain D12/162

* cited by examiner

Primary Examiner—T. Chase Nelson

Assistant Examiner—Michael A Pratt

(74) *Attorney, Agent, or Firm*—McHale & Slavin, P.A.

(57) **CLAIM**

The ornamental design for a receiver hitch, as shown and described.

DESCRIPTION

FIG. 1 is a front perspective view of the receiver hitch of the instant invention;

FIG. 2 is a bottom perspective view thereof;

FIG. 3 is a front view thereof;

FIG. 4 is a top view thereof;

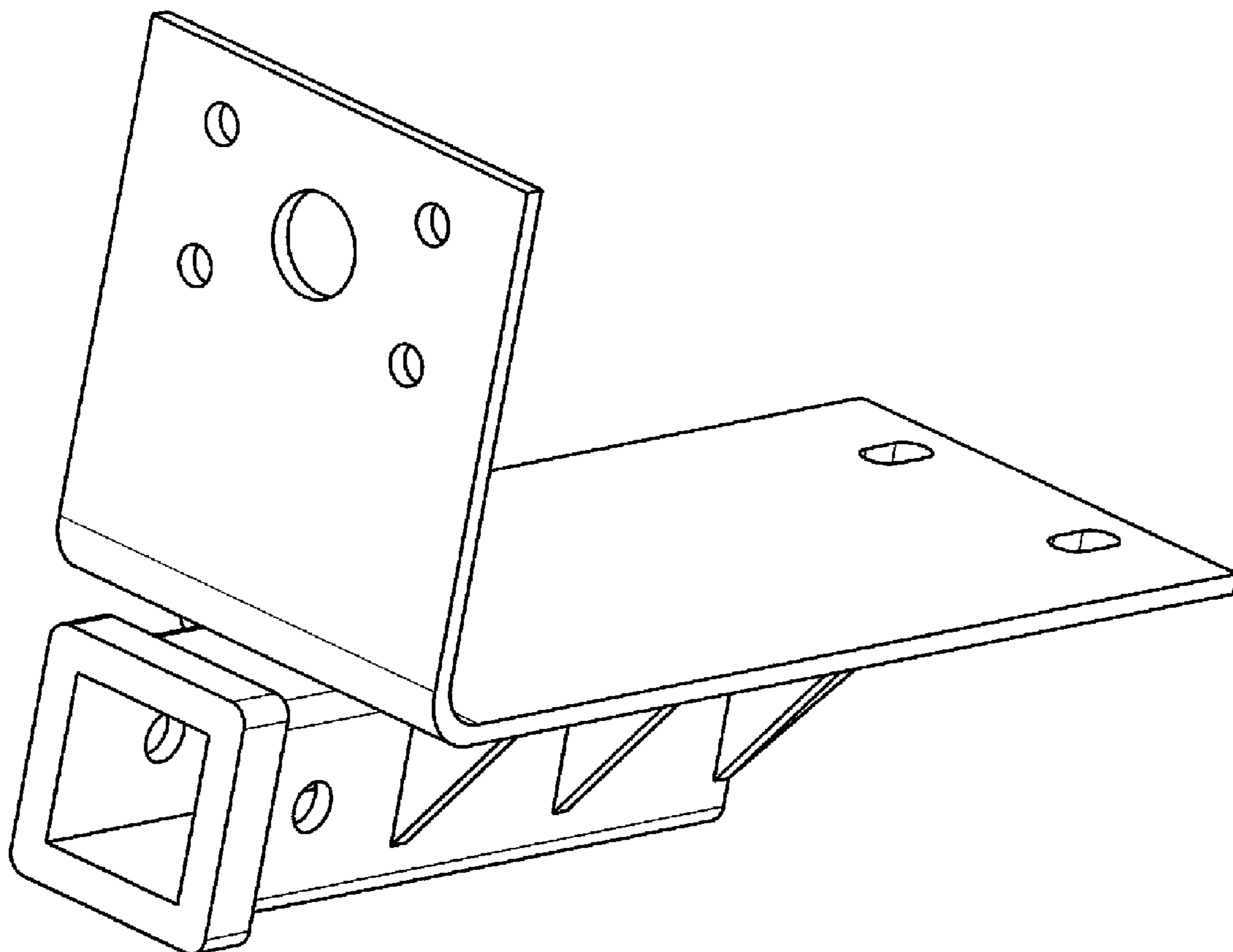
FIG. 5 is a right side view thereof;

FIG. 6 is a rear view thereof;

FIG. 7 is a left side view thereof; and,

FIG. 8 is a bottom view thereof.

1 Claim, 8 Drawing Sheets



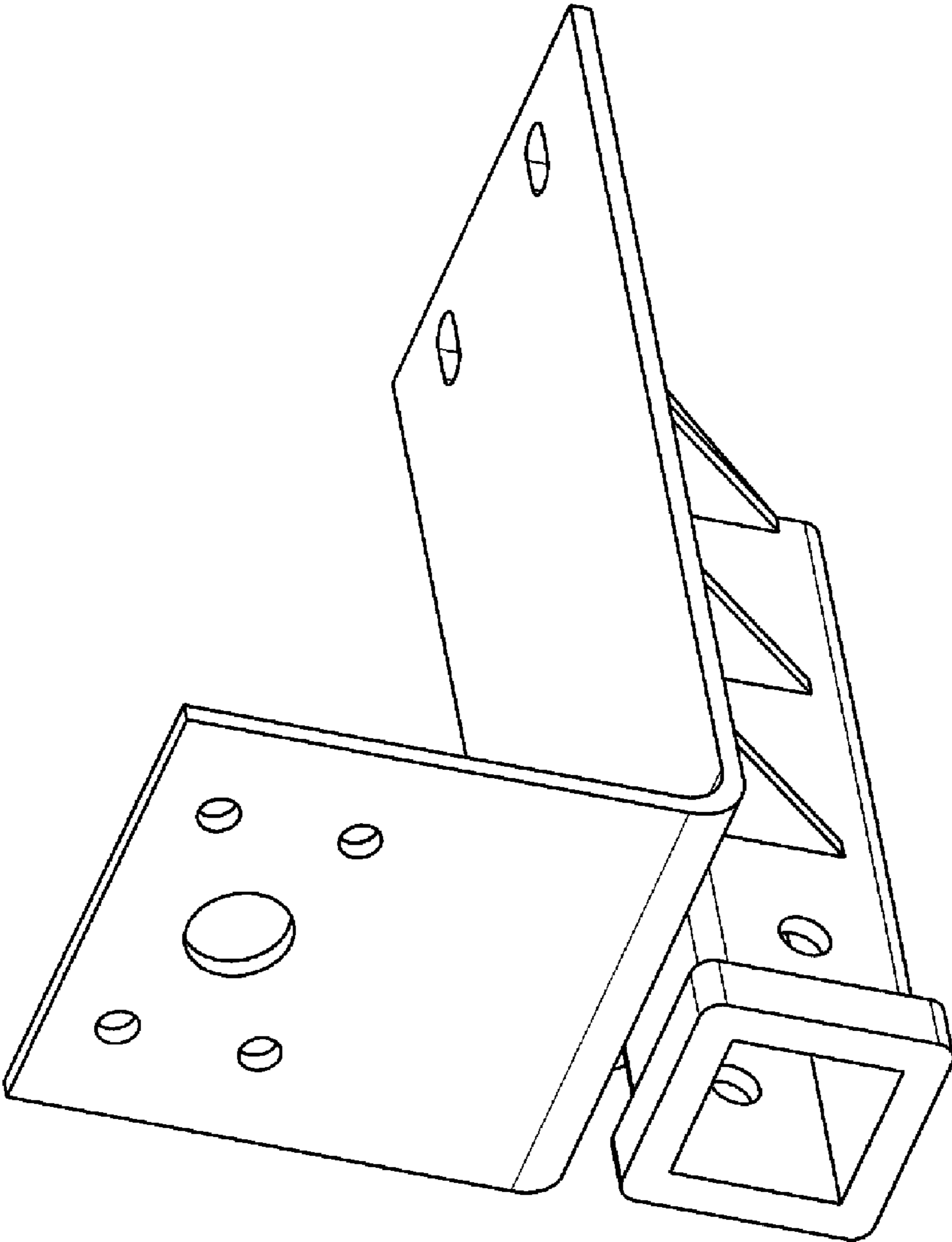


Figure 1

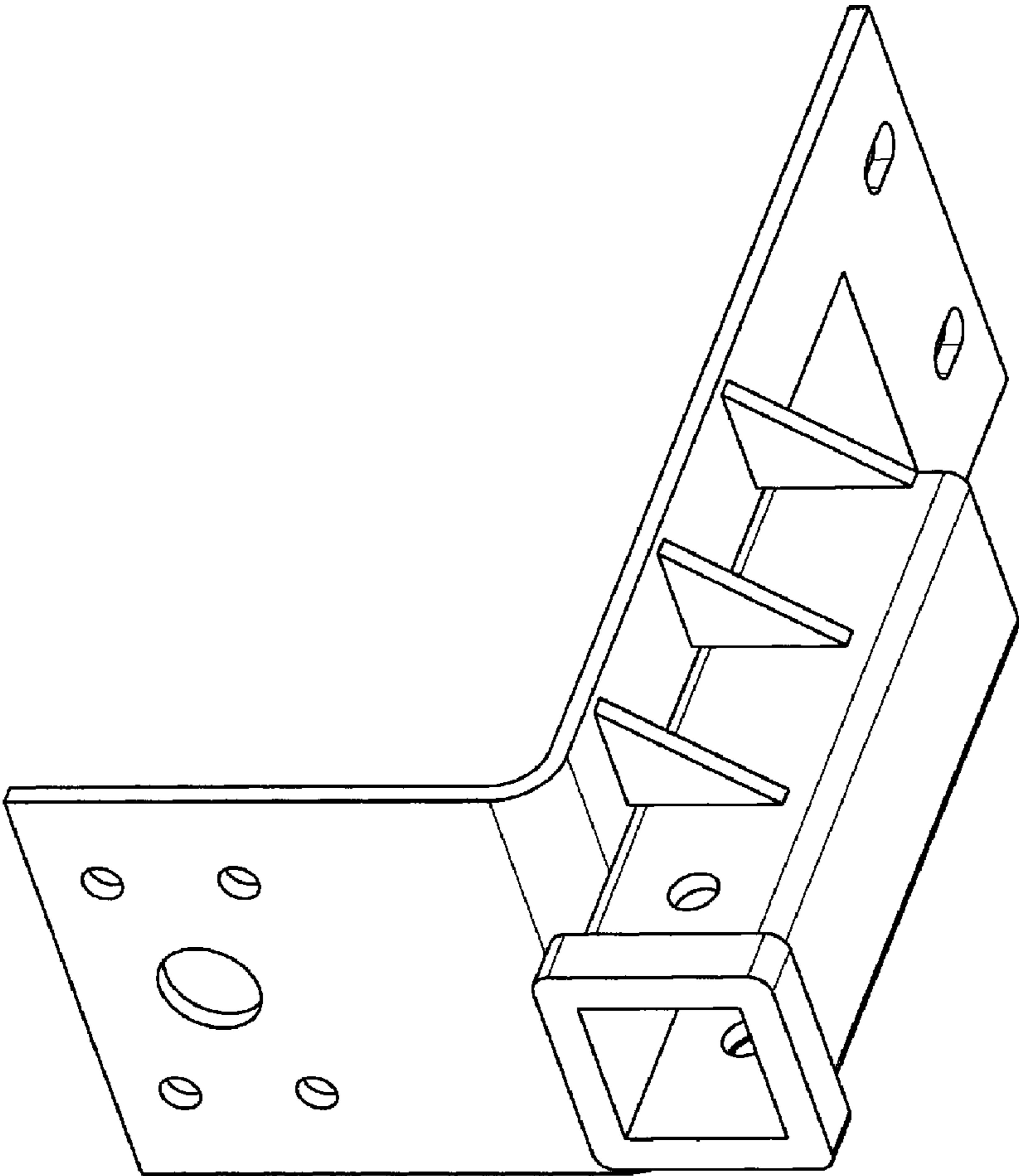


Figure 2

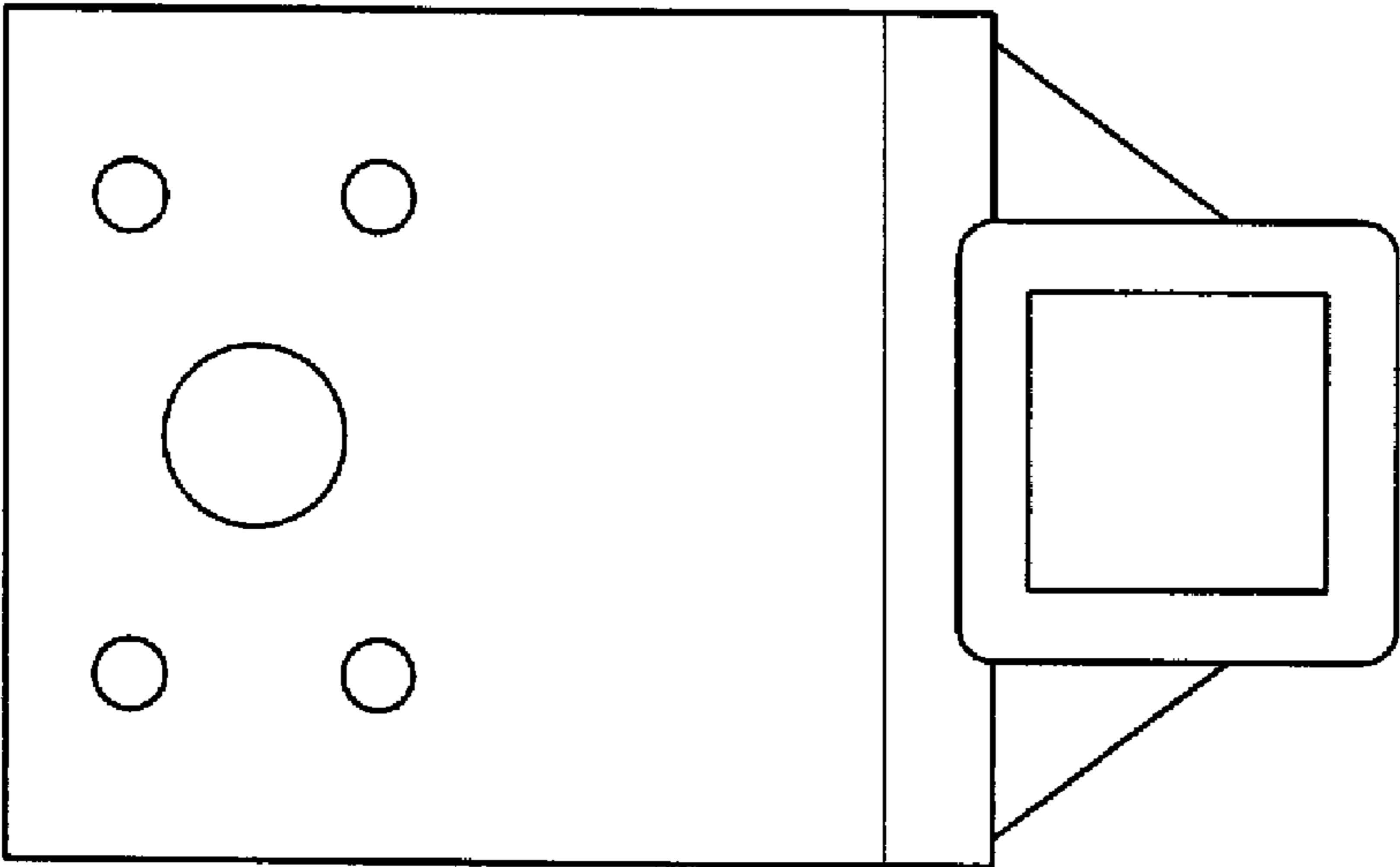


Figure 3

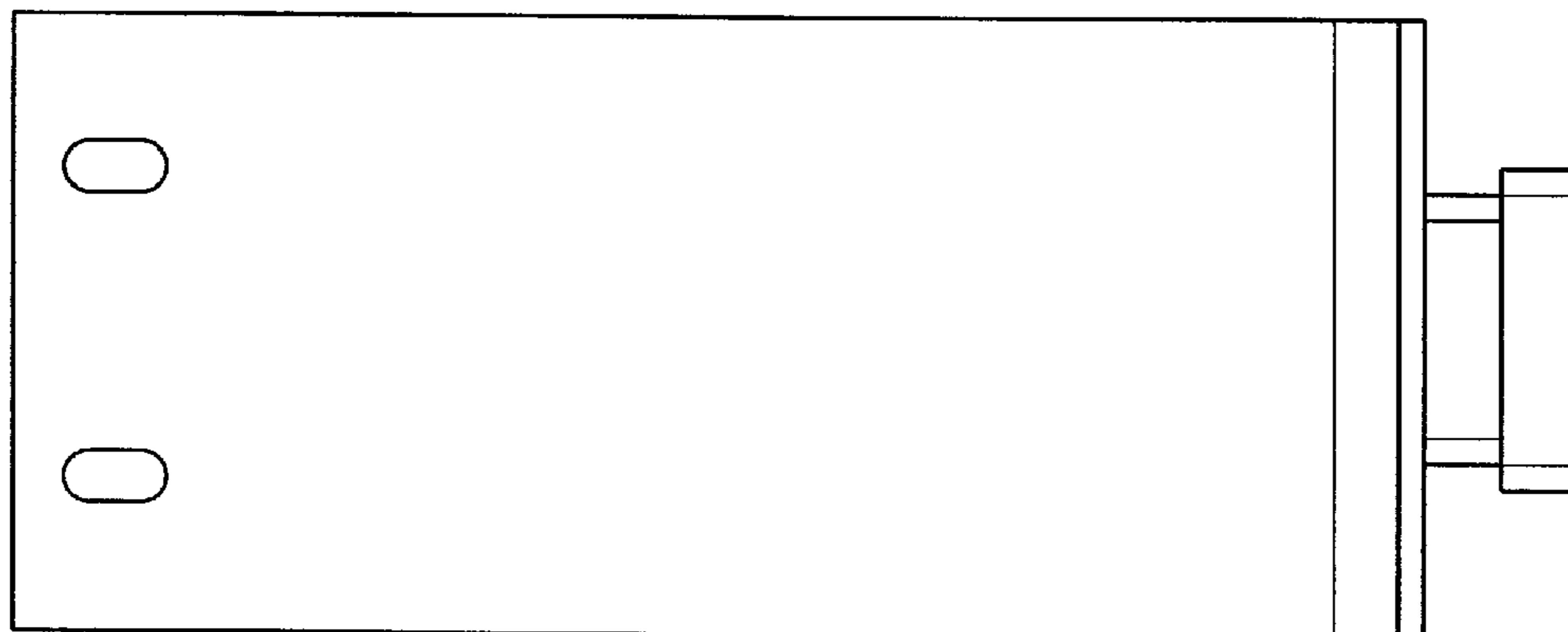


Figure 4

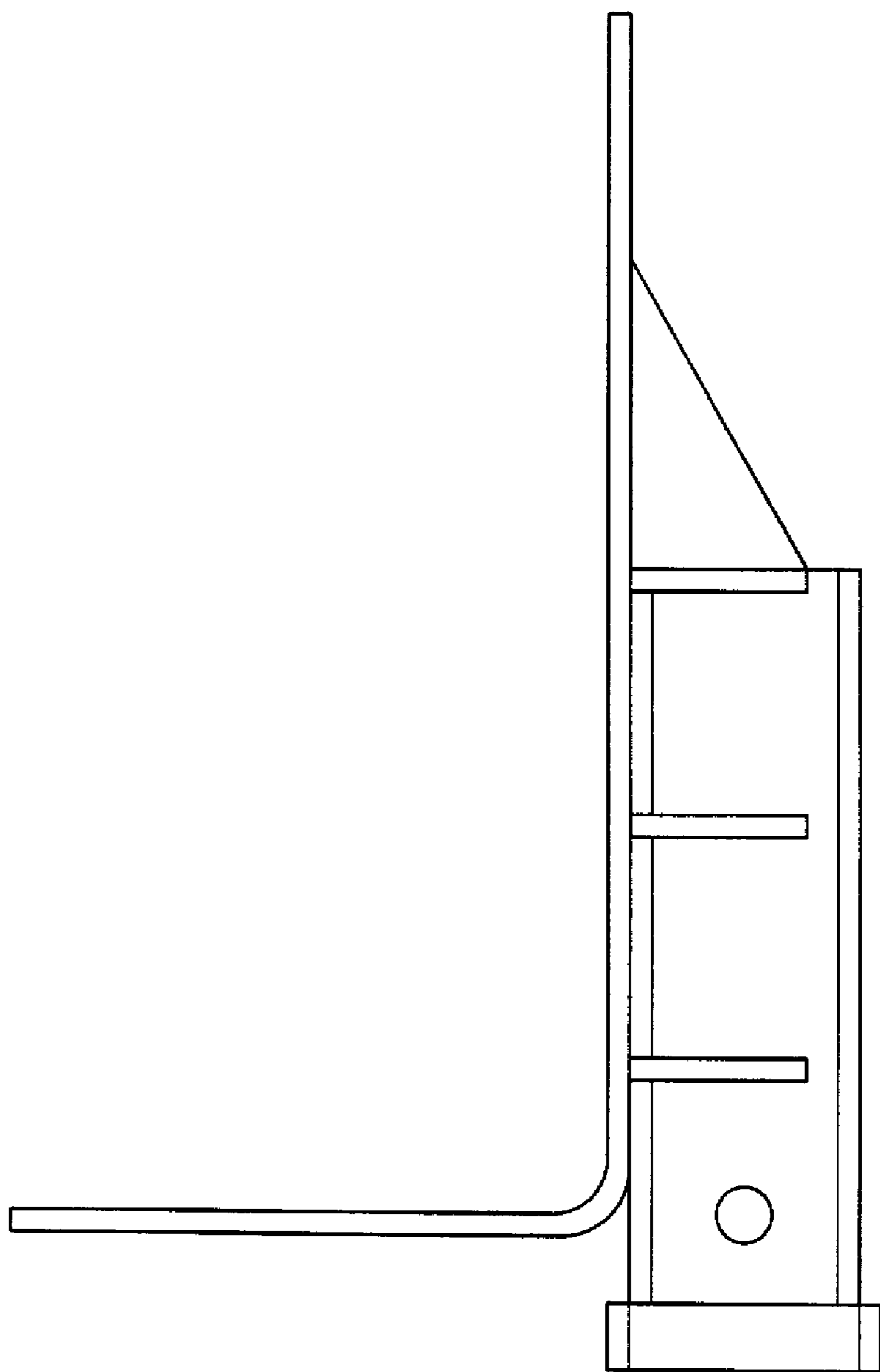


Figure 5

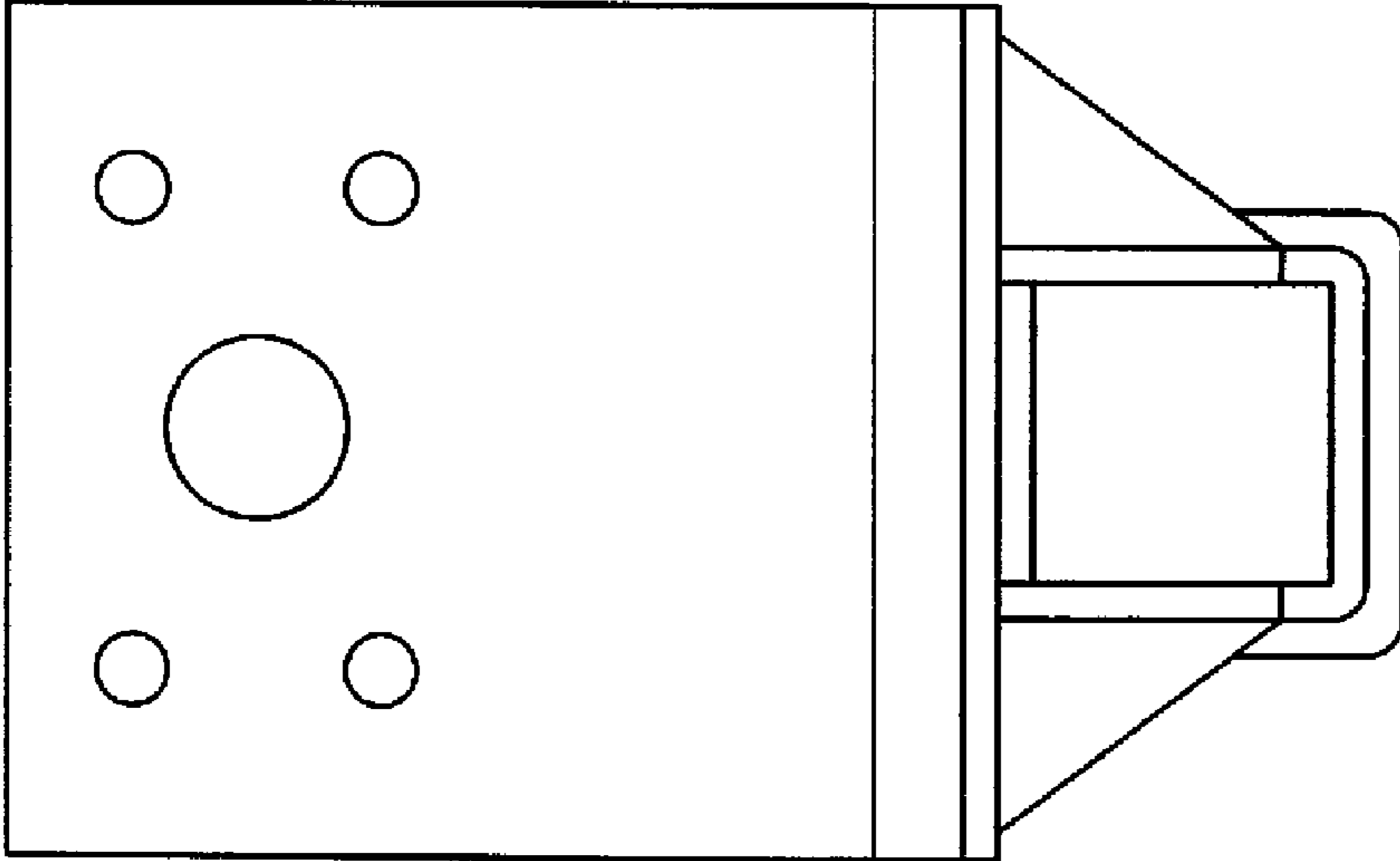


Figure 6

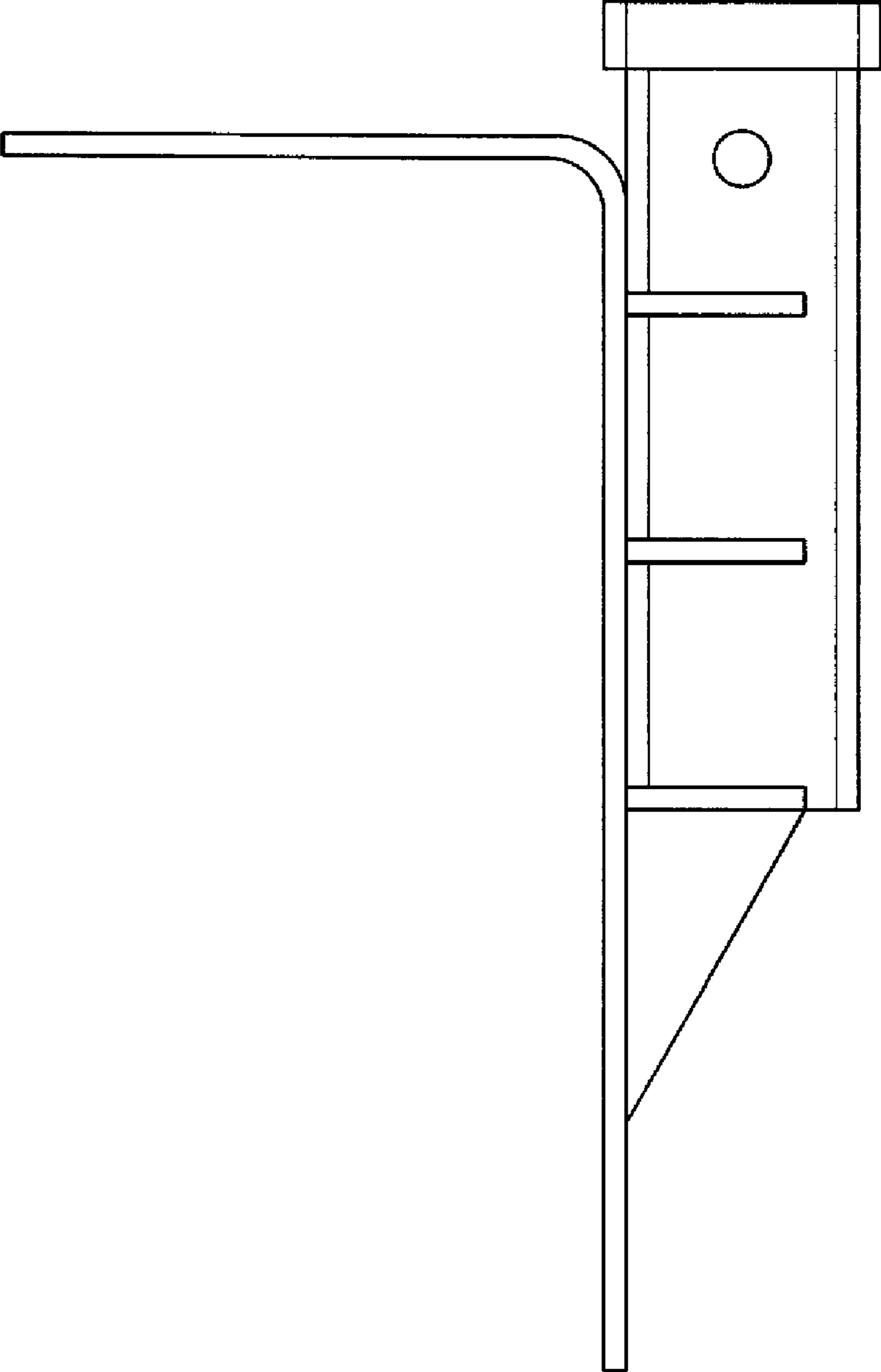


Figure 7

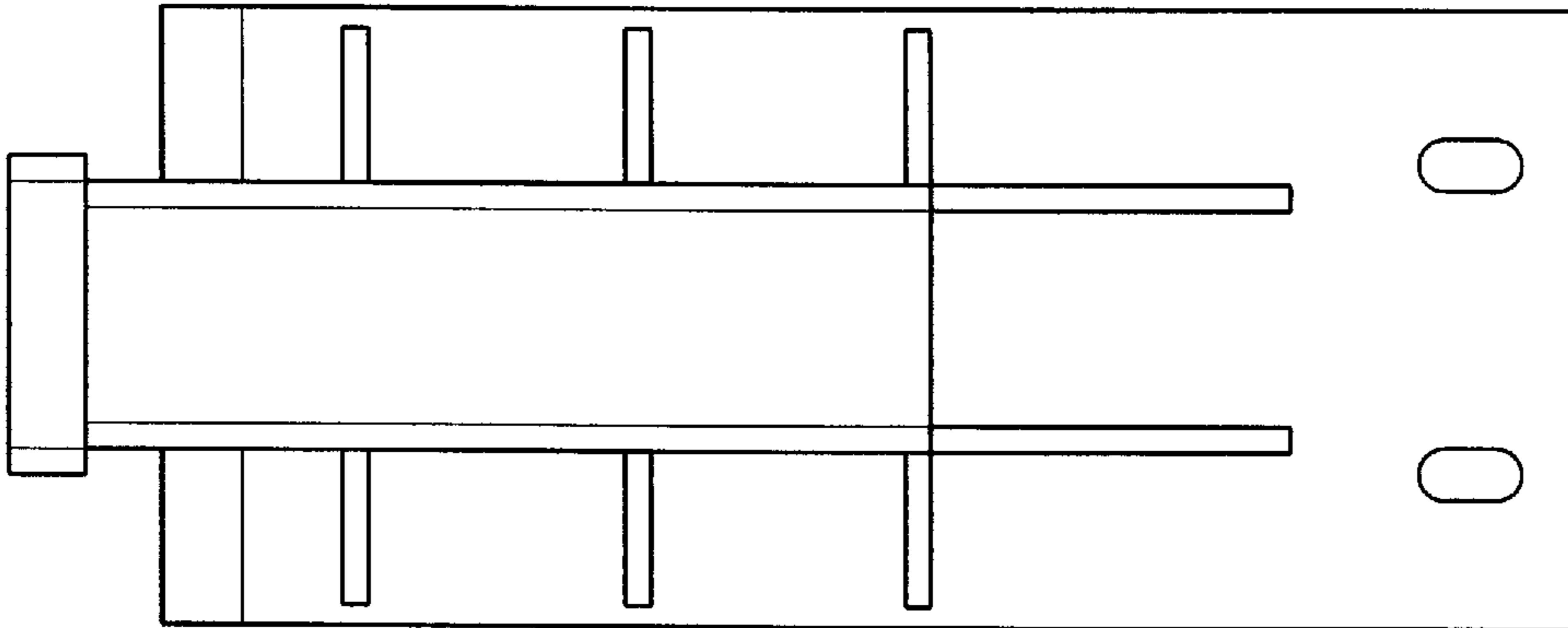


Figure 8