



US00D591205S

(12) **United States Design Patent**
Heinrich et al.

(10) **Patent No.:** **US D591,205 S**
(45) **Date of Patent:** **** Apr. 28, 2009**

(54) **MOTORCYCLE, TOY, OR MOTORCYCLE
REPLICA**

D519,883 S * 5/2006 Robb D12/110
D549,617 S * 8/2007 Robb D12/110
D582,316 S * 12/2008 Stenegard et al. D12/110

(75) Inventors: **Edgar Heinrich**, Freising (DE); **Ola Stenegard**, Haimhausen (DE)

* cited by examiner

(73) Assignee: **Bayerische Motoren Werke Aktiengesellschaft**, Munich (DE)

Primary Examiner—Robin V Webster

Assistant Examiner—Linda Brooks

(74) *Attorney, Agent, or Firm*—Crowell & Moring LLP

(**) Term: **14 Years**

(57) **CLAIM**

(21) Appl. No.: **29/318,821**

The ornamental design for a motorcycle, toy, or motorcycle replica, as shown and described.

(22) Filed: **May 29, 2008**

(30) **Foreign Application Priority Data**

Nov. 30, 2007 (DE) 40705974

(51) **LOC (9) Cl.** **12-11**

(52) **U.S. Cl.** **D12/110**

(58) **Field of Classification Search** D12/110;
180/219, 220, 225, 227, 229; D21/432, 538;
280/827, 828; 446/440

See application file for complete search history.

(56) **References Cited**

U.S. PATENT DOCUMENTS

D378,204 S * 2/1997 Heinrich et al. D12/110
D422,244 S * 4/2000 Heinrich et al. D12/110
D437,262 S * 2/2001 Robb et al. D12/110
D455,373 S * 4/2002 Robb et al. D12/110
D500,463 S * 1/2005 Heinrich et al. D12/110

DESCRIPTION

FIG. 1 is a left, front perspective view of a motorcycle, toy, or motorcycle replica according to our novel design;

FIG. 2 is a left, rear perspective view thereof;

FIG. 3 is a right, front perspective view thereof;

FIG. 4 is a right, rear perspective view thereof;

FIG. 5 is a left side view thereof;

FIG. 6 is a right side view thereof;

FIG. 7 is a front view thereof;

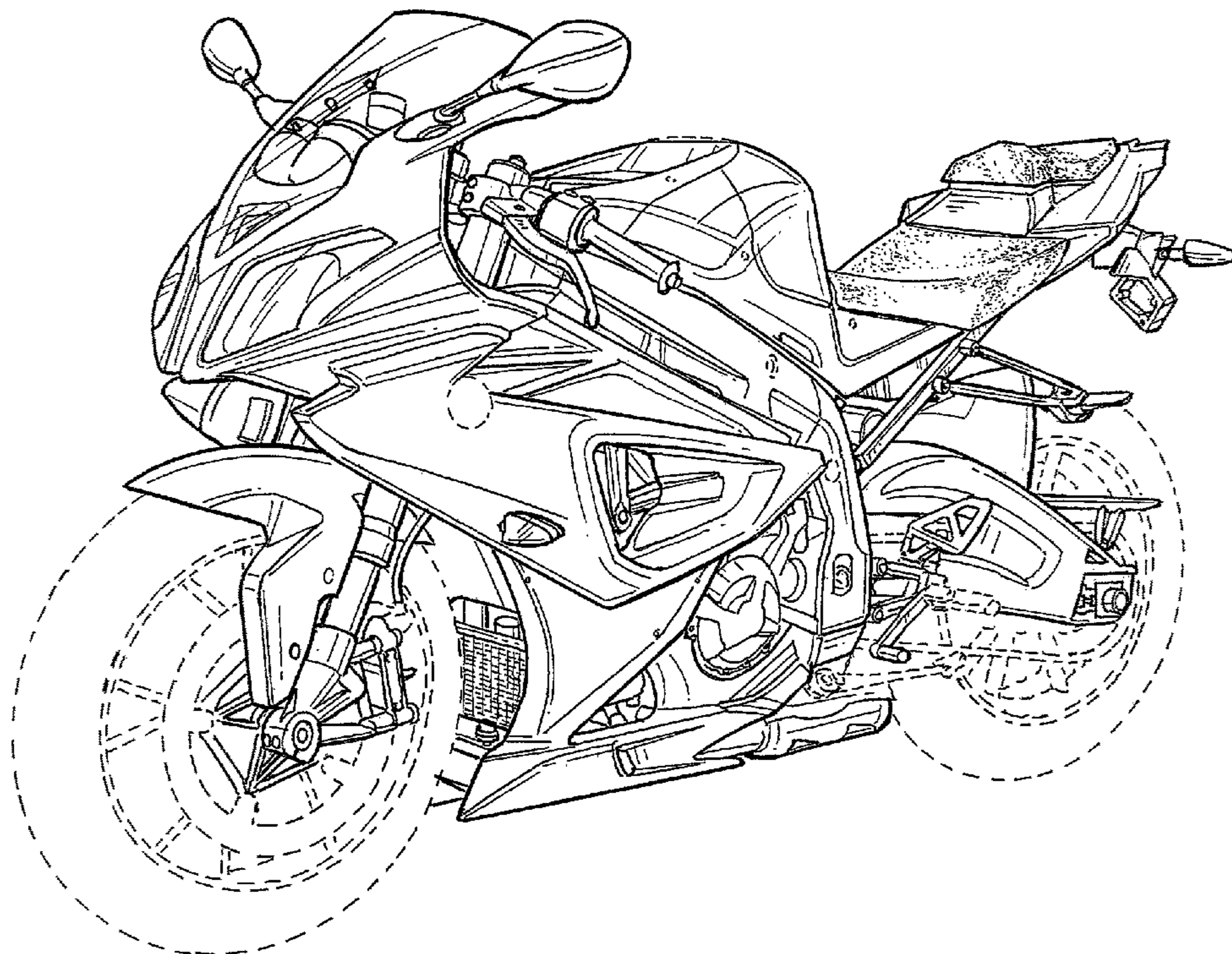
FIG. 8 is a rear view thereof;

FIG. 9 is a top view thereof; and,

FIG. 10 is a bottom view thereof.

The portions shown in broken lines form no part of the claimed design.

1 Claim, 9 Drawing Sheets



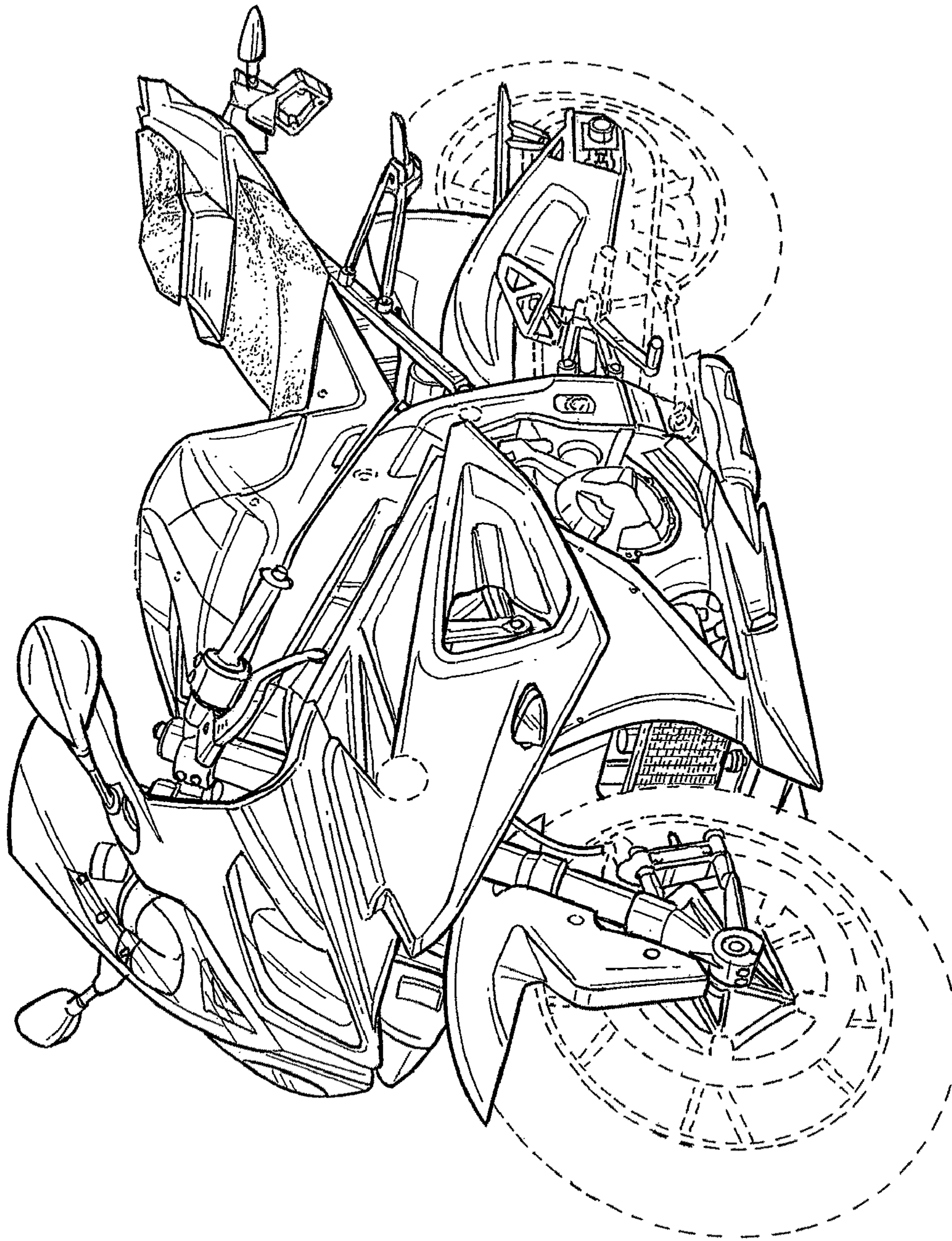


FIG. 1

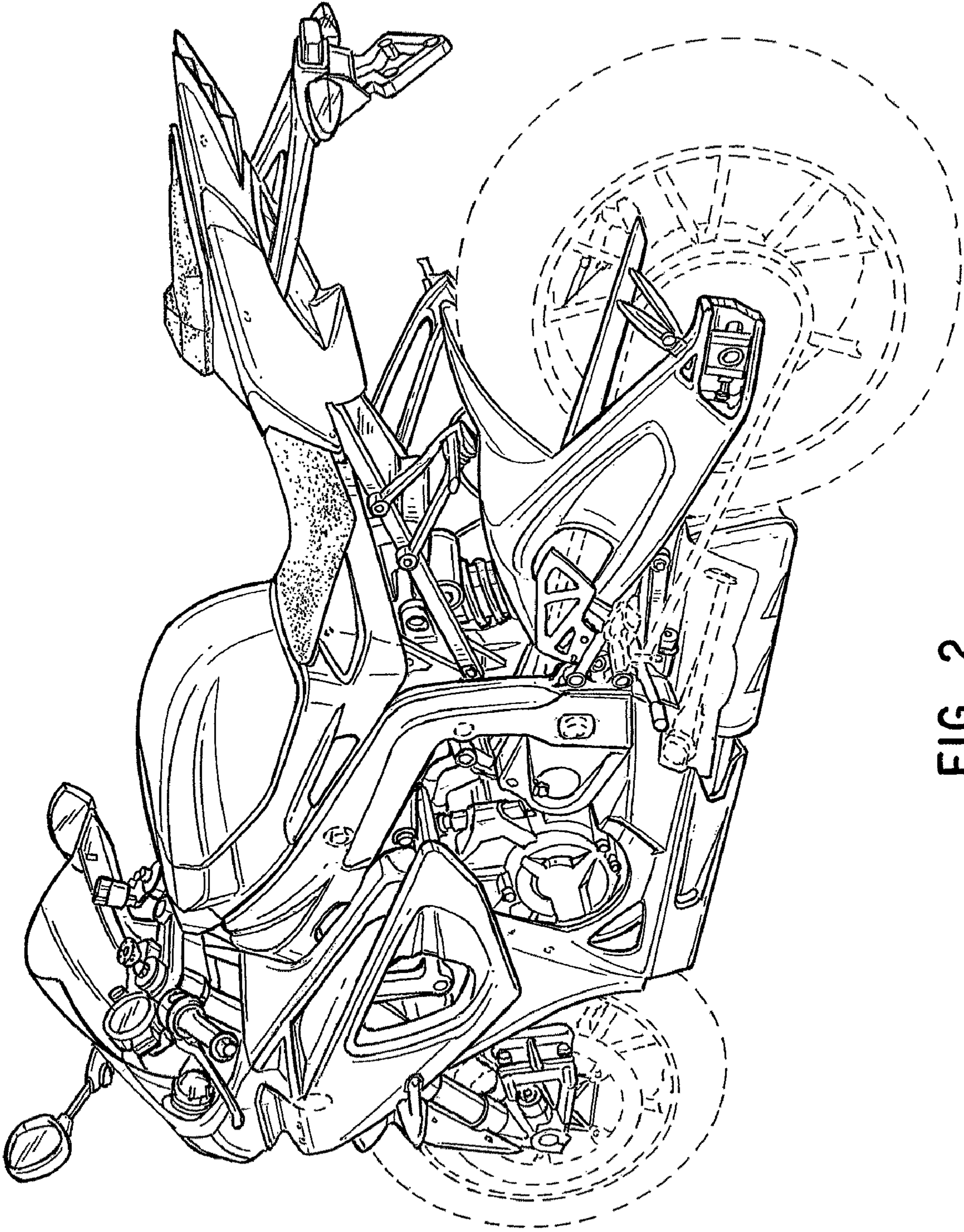


FIG. 2

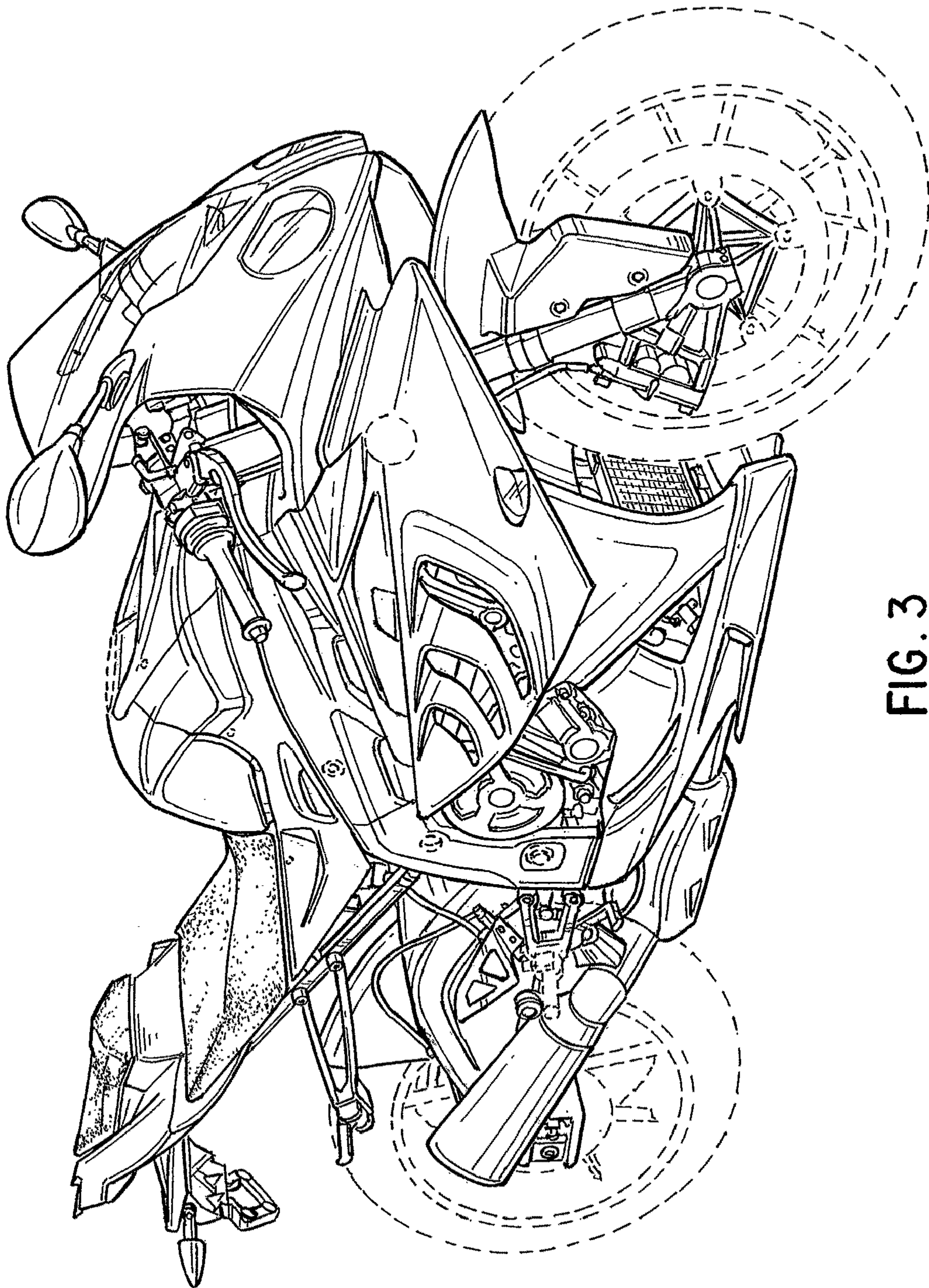


FIG. 3

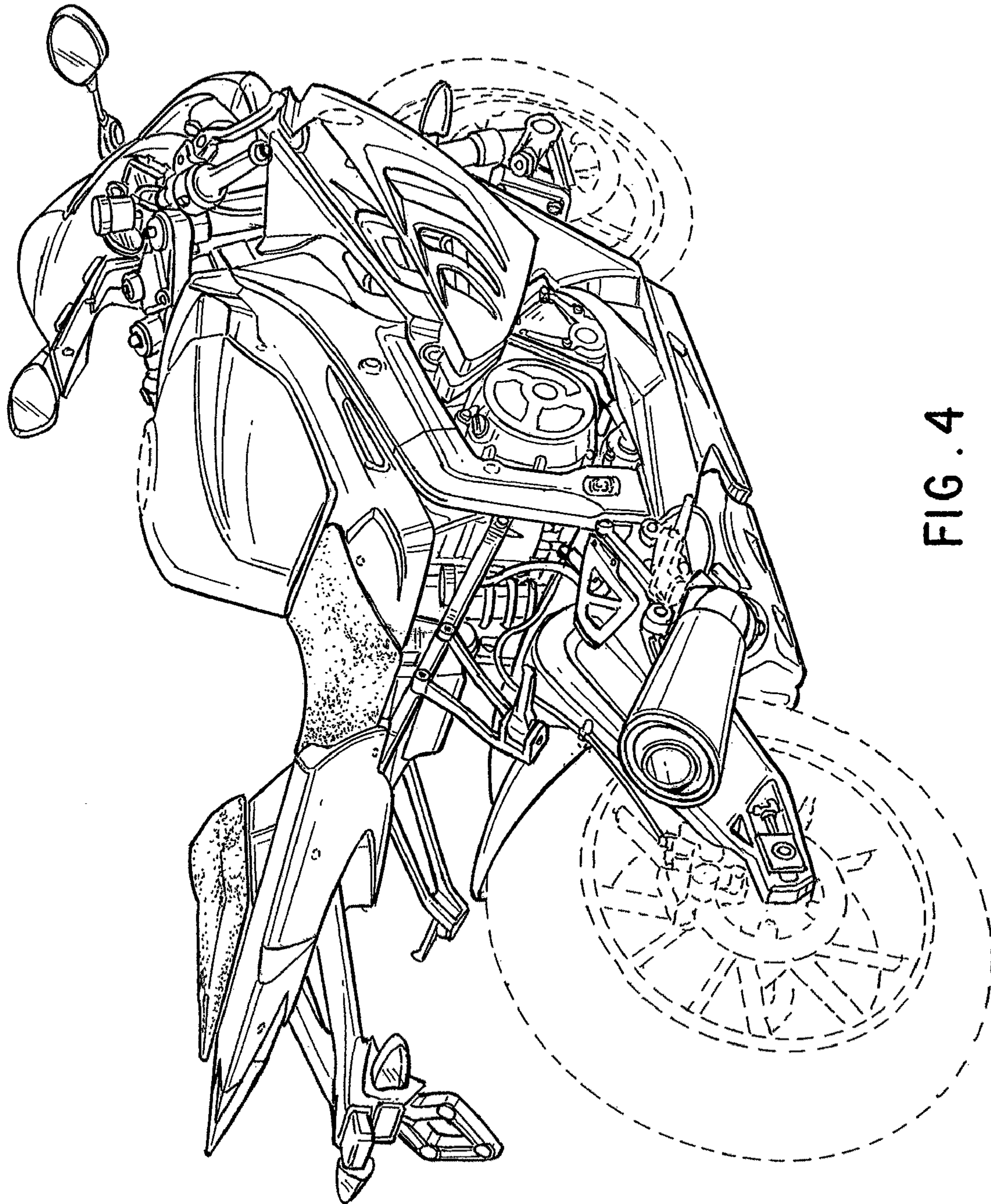


FIG. 4

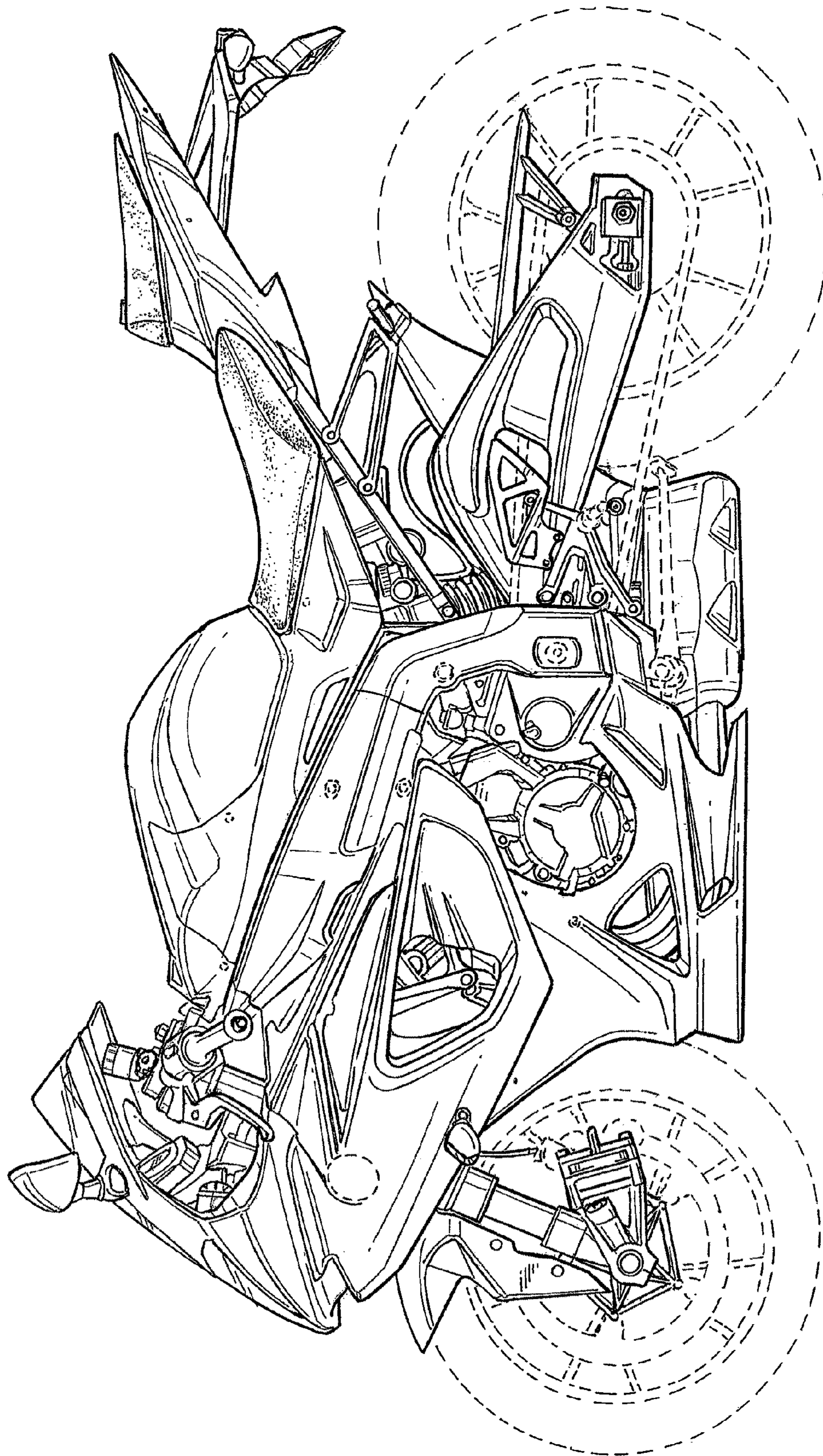


FIG. 5

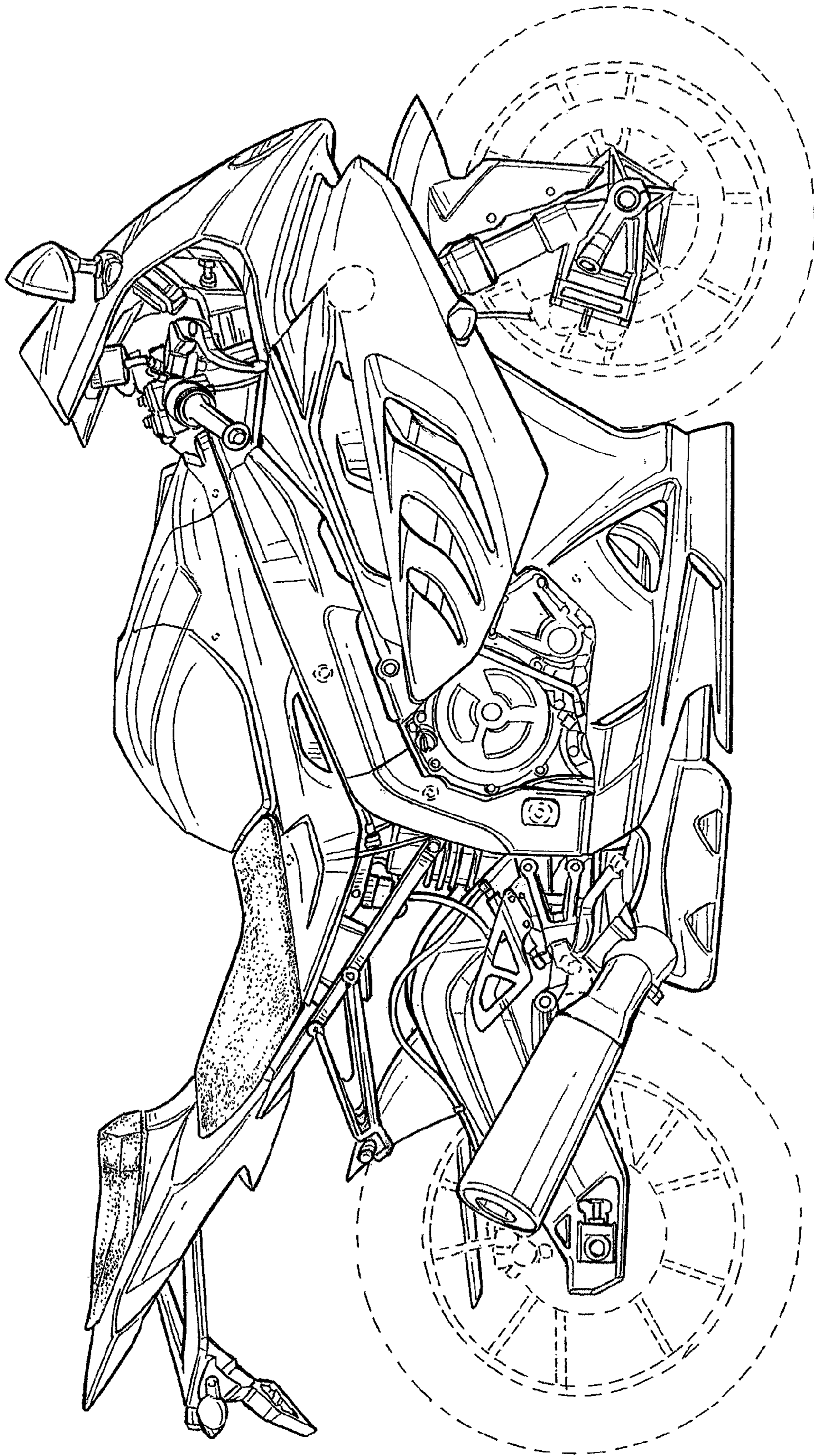


FIG. 6

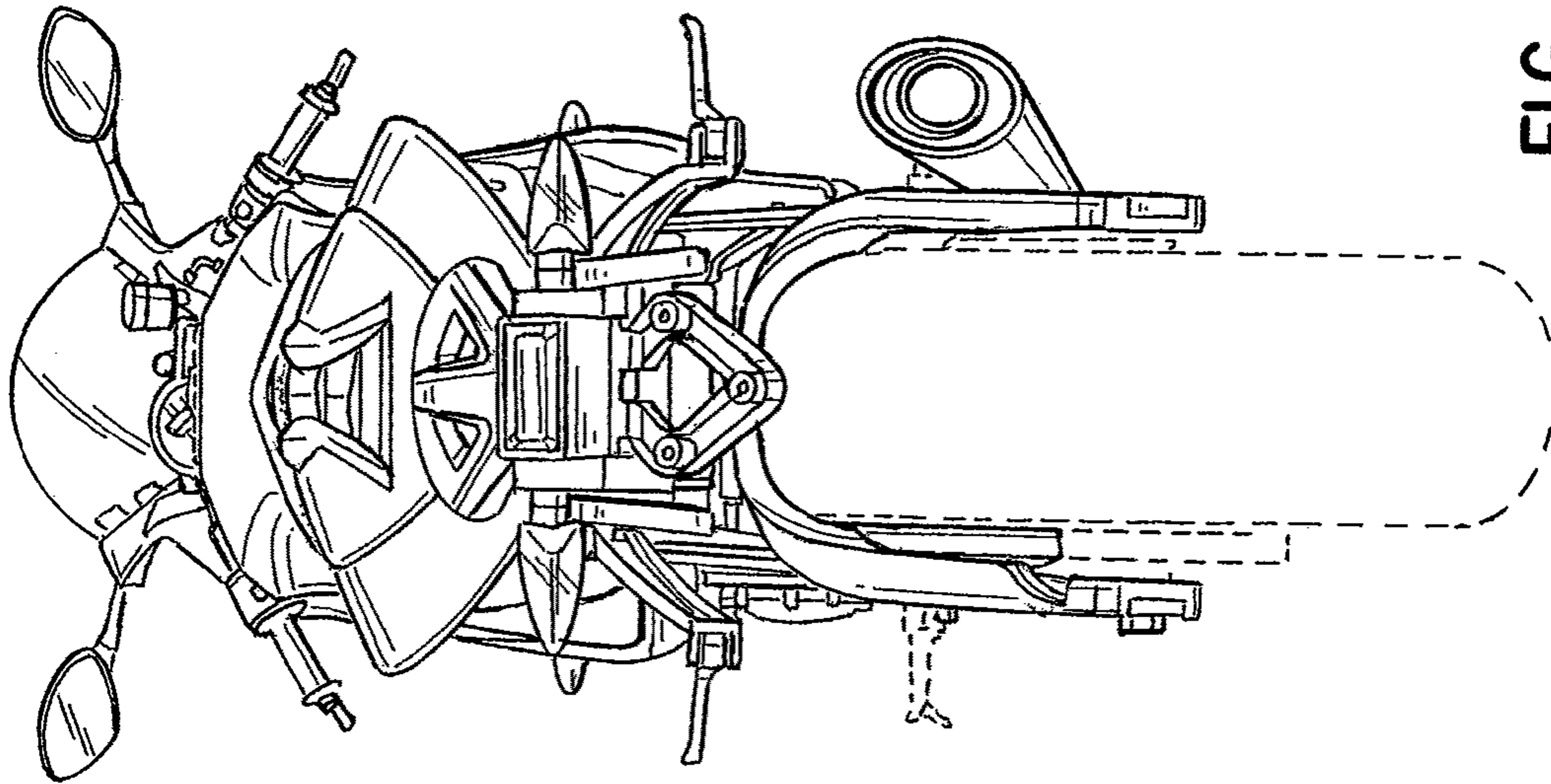


FIG. 8

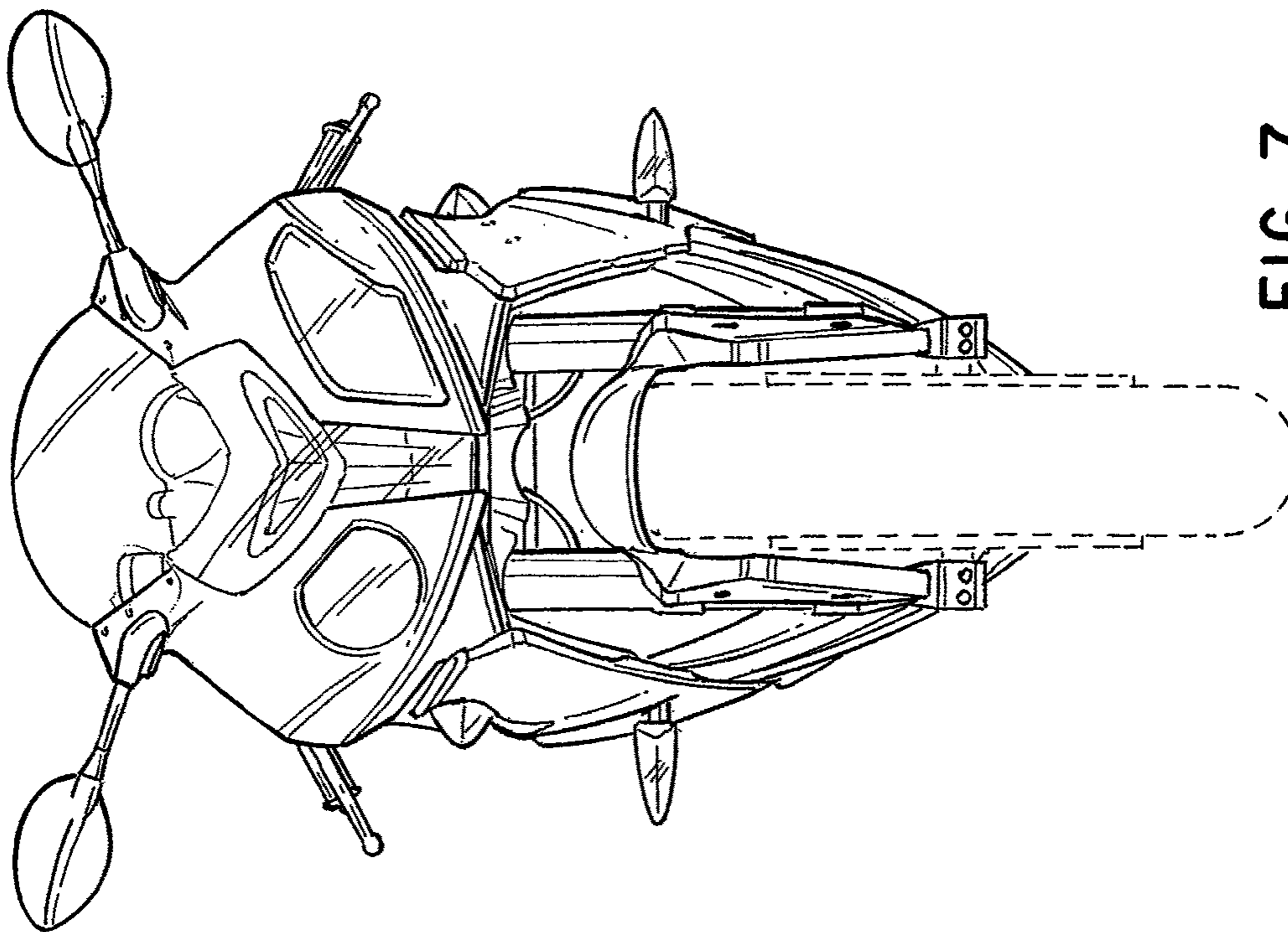


FIG. 7

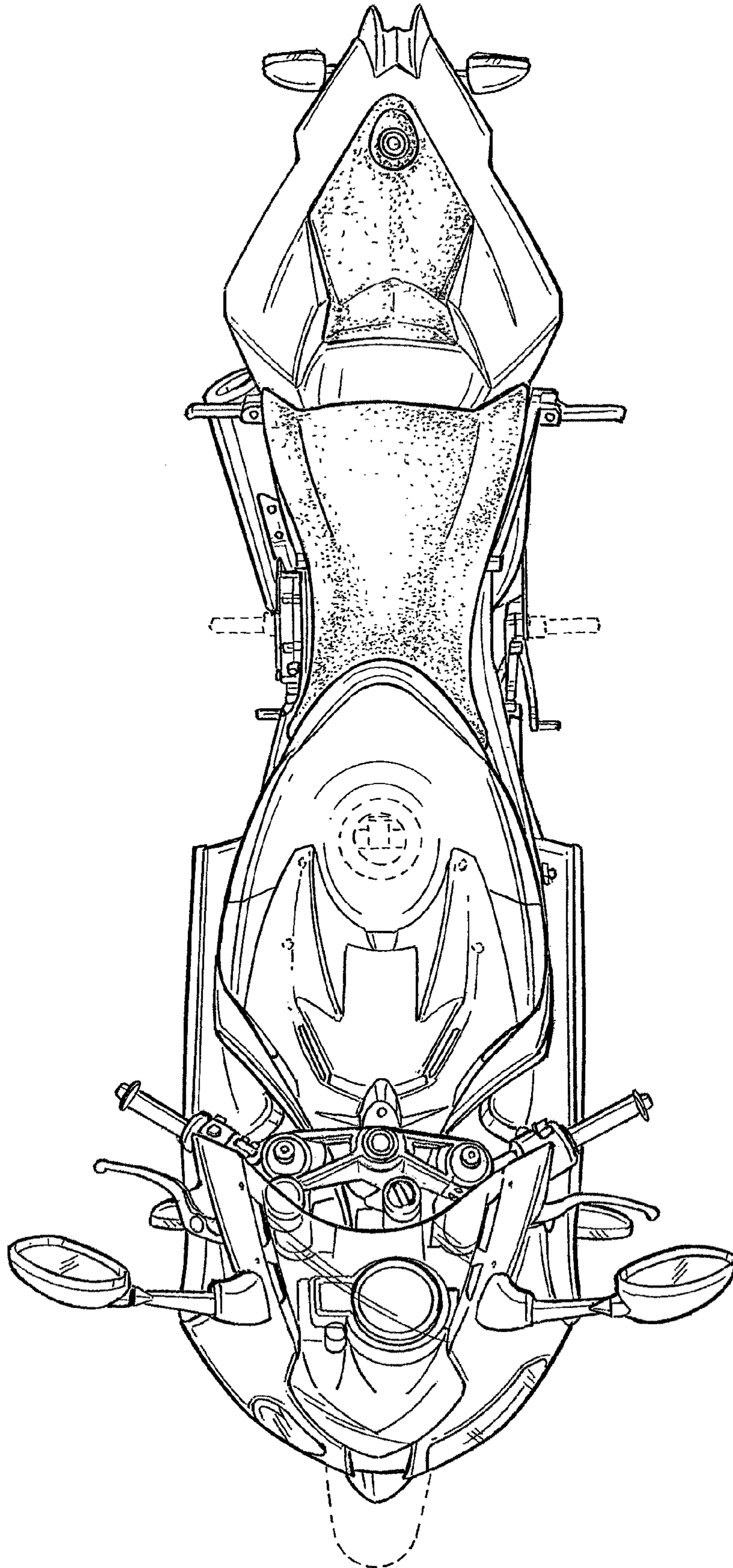


FIG. 9

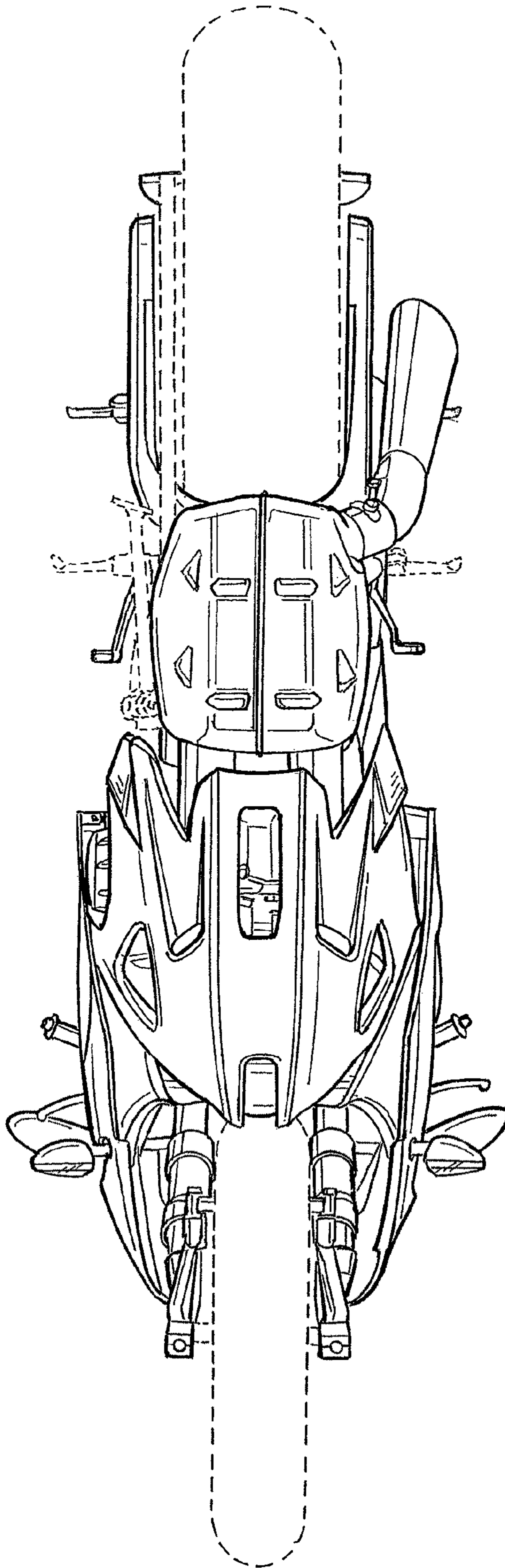


FIG. 10