



US00D591203S

(12) **United States Design Patent**
Martin

(10) **Patent No.:** **US D591,203 S**
(45) **Date of Patent:** **** Apr. 28, 2009**

(54) **ASYMMETRICAL MINI BIKE**

DESCRIPTION

- (75) Inventor: **Christopher V. Martin**, Tempe, AZ (US)
- (73) Assignee: **Performance Consultants Ltd**, Jacksonville, FL (US)
- (**) Term: **14 Years**
- (21) Appl. No.: **29/293,328**
- (22) Filed: **Nov. 15, 2007**
- (51) **LOC (9) Cl.** **12-11**
- (52) **U.S. Cl.** **D12/110**
- (58) **Field of Classification Search** D12/110, D12/111; 180/219, 220, 65.1-65.6, 205-207, 180/312, 227, 291, 230, 231; 280/274-280, 280/281.1, 288.1-288.3, 284
See application file for complete search history.

The asymmetrical mini bike has aesthetic steel hoops for the retention of the rear fender and a rear lift handle attachment. FIG. 1 is a front view of the asymmetrical mini bike, showing my new design. FIG. 2 is a left side view thereof. FIG. 3 is a rear view thereof. FIG. 4 is a right side view thereof. FIG. 5 is a top view thereof. FIG. 6 is a bottom view thereof. FIG. 7 is a right side perspective view thereof. FIG. 8 is a left side perspective view thereof. FIG. 9 is an additional front view. FIG. 10 is an additional left side view. FIG. 11 is an additional rear view. FIG. 12 is an additional right side view. FIG. 13 is an additional top view. FIG. 14 is an additional bottom view. FIG. 15 is an additional right side perspective view; and, FIG. 16 is an additional left side perspective view.

The portions of the asymmetrical mini bike shown in broken lines form no part of the claimed design. The dots on the bottom of the fenders and on the top surface of the engine plate illustrate boundaries between claimed and unclaimed portions; the dotted boundaries form no part of the claimed design. Certain features that form no part of the claimed design that are shown in broken lines in FIGS. 1-8 are not shown in FIGS. 9-16 for clarity of disclosure of the design being claimed.

The kickstand is shown in extended position of use in FIGS. 7, 8, 13, 15, and 16. The kickstand is shown in the folded condition in FIGS. 4, 6, 10 and 12. The kickstand in FIGS. 1, 2, 3, 5, 9, and 11 is obscured by the frame structure.

- (56) **References Cited**
- U.S. PATENT DOCUMENTS
- 3,101,822 A * 8/1963 Clemens 477/209
- 3,212,791 A * 10/1965 Edwins 280/275
- 3,548,963 A * 12/1970 Schlaphoff 180/208
- D446,476 S * 8/2001 Wallace et al. D12/110
- 6,464,031 B1 * 10/2002 Cobb 180/230
- D507,767 S * 7/2005 Chan D12/111

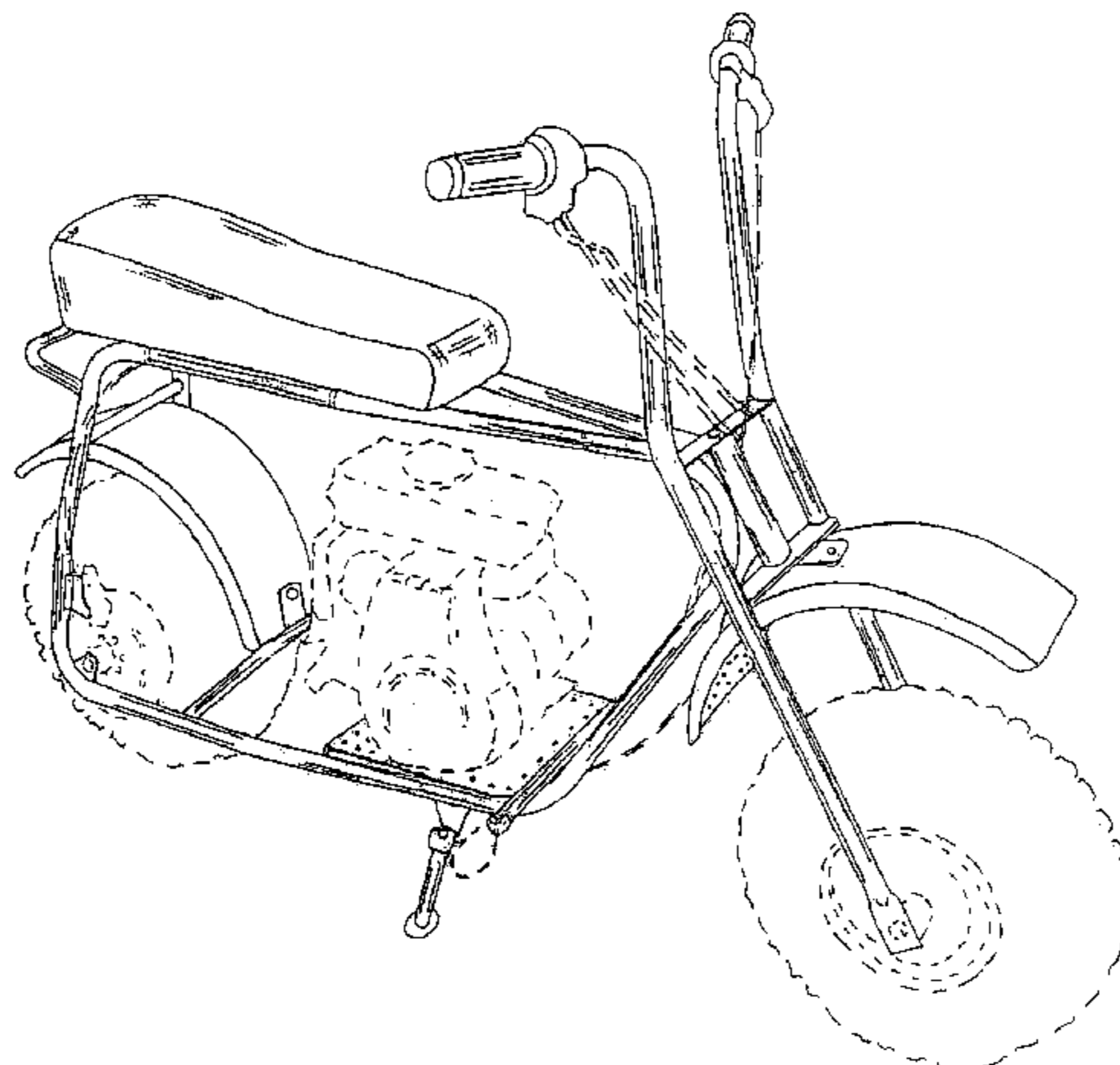
* cited by examiner

Primary Examiner—Cathron C Brooks
Assistant Examiner—Linda Brooks

(57) **CLAIM**

The ornamental design for an asymmetrical mini bike, as shown and described.

1 Claim, 16 Drawing Sheets



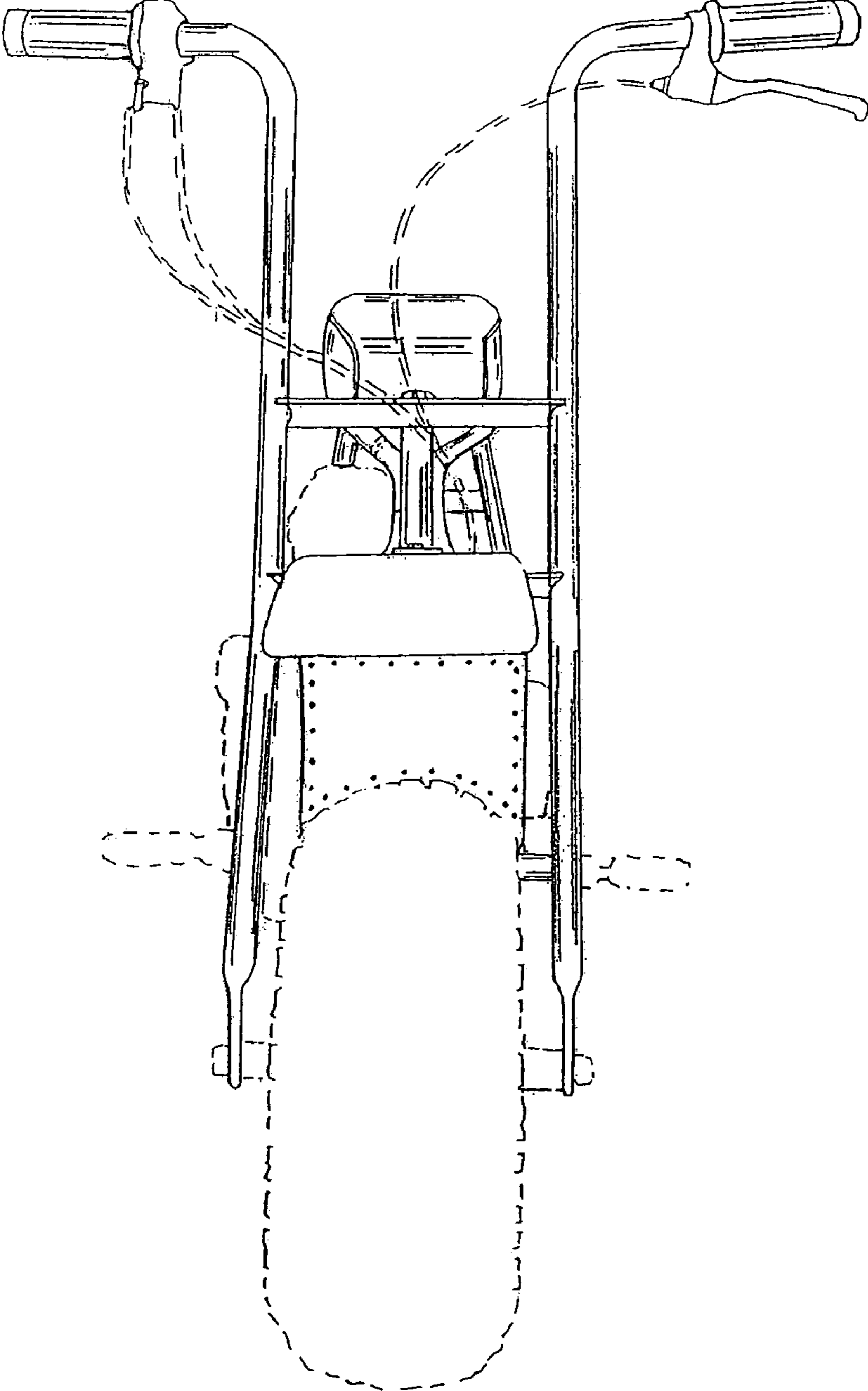


Figure 1

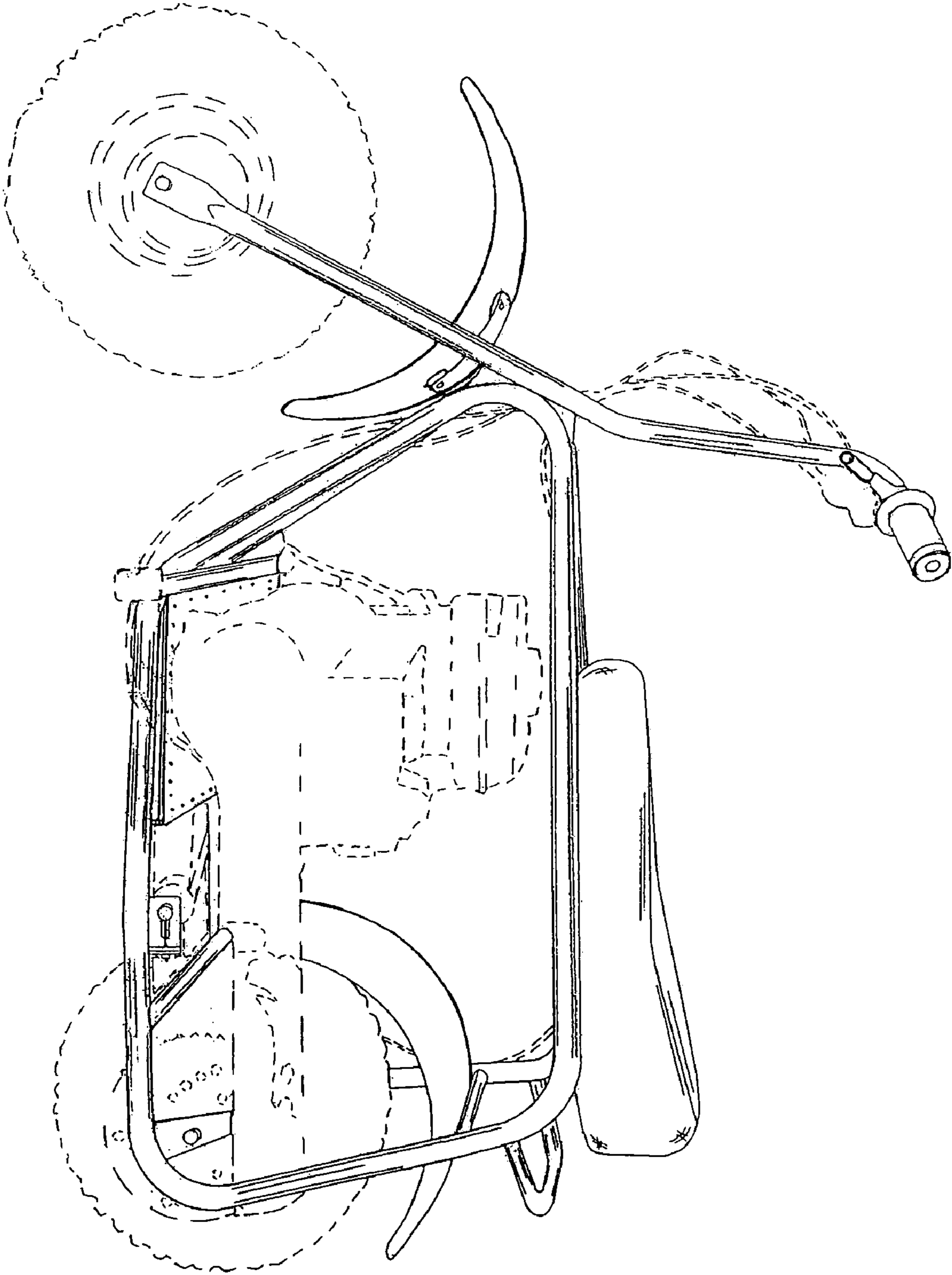


Figure 2

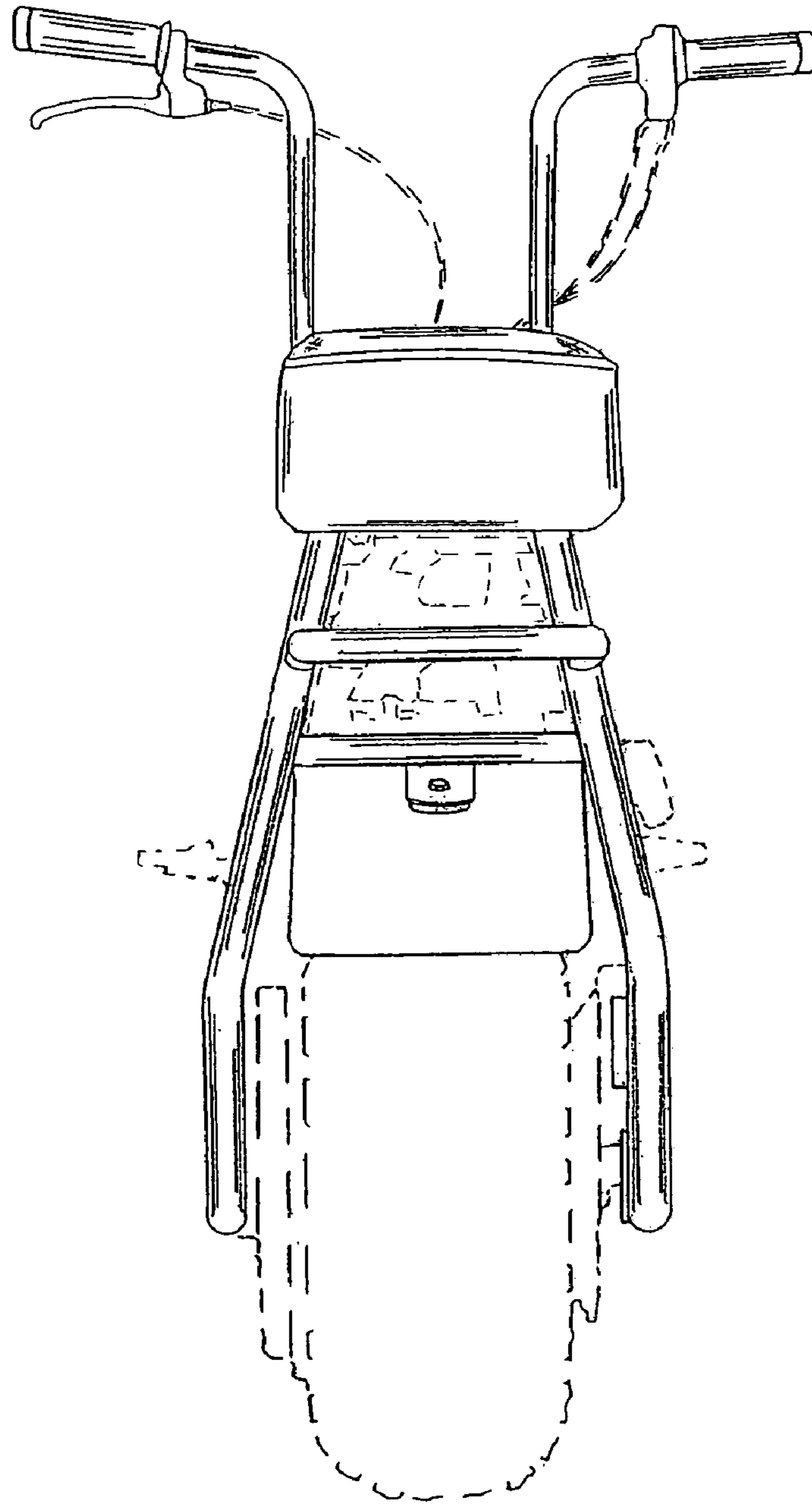


Figure 3

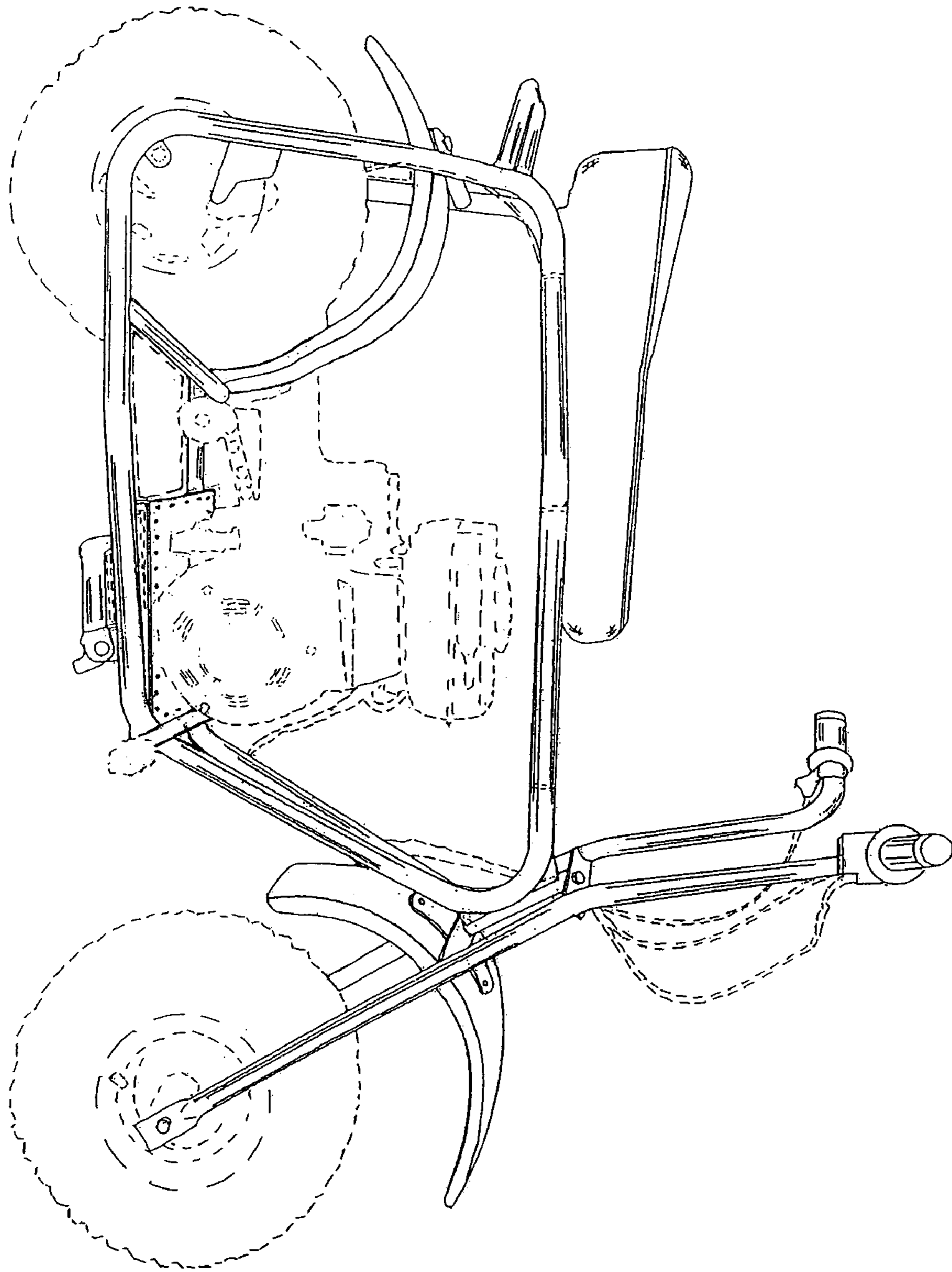


Figure 4

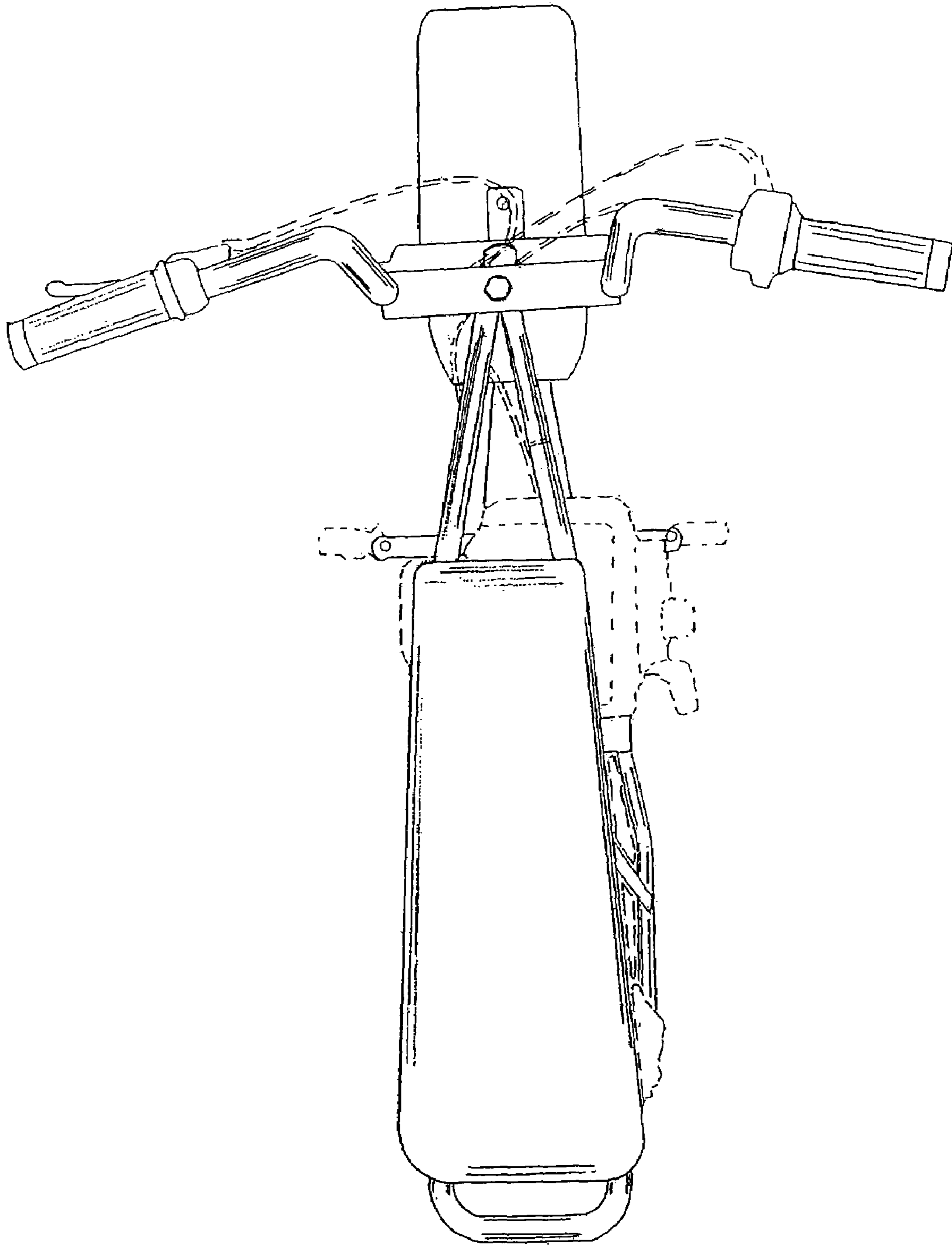


Figure 5

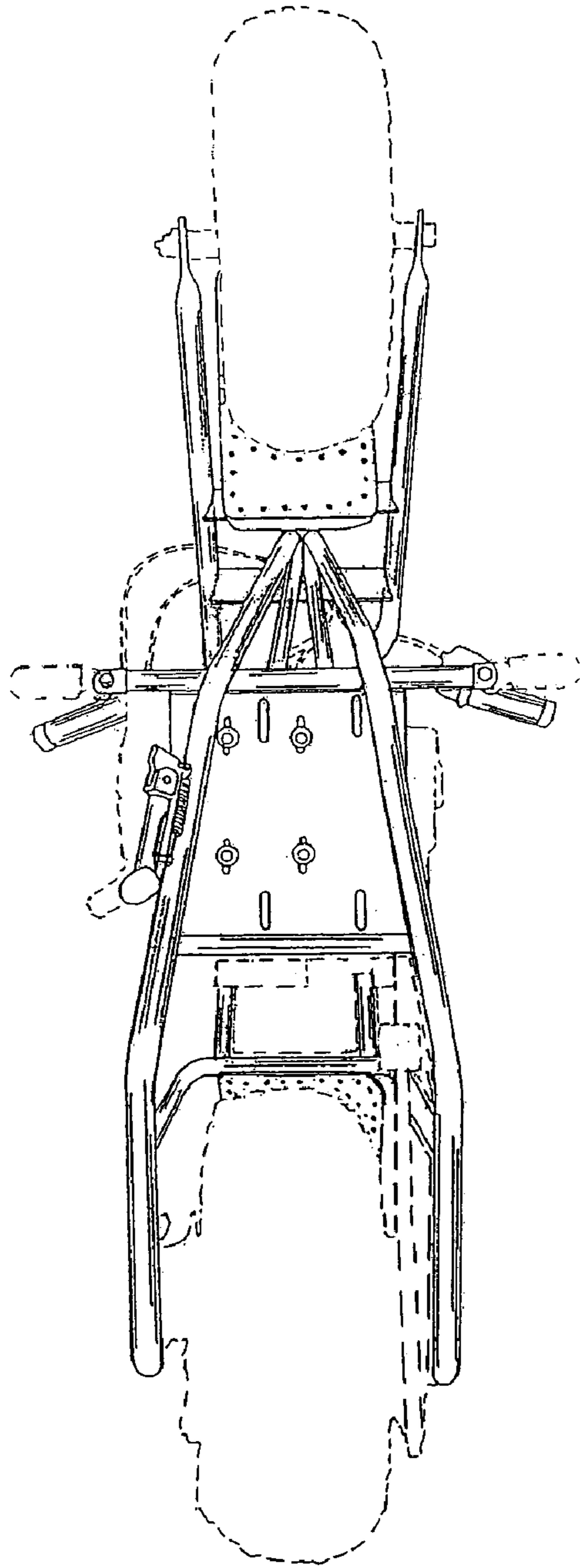


Figure 6

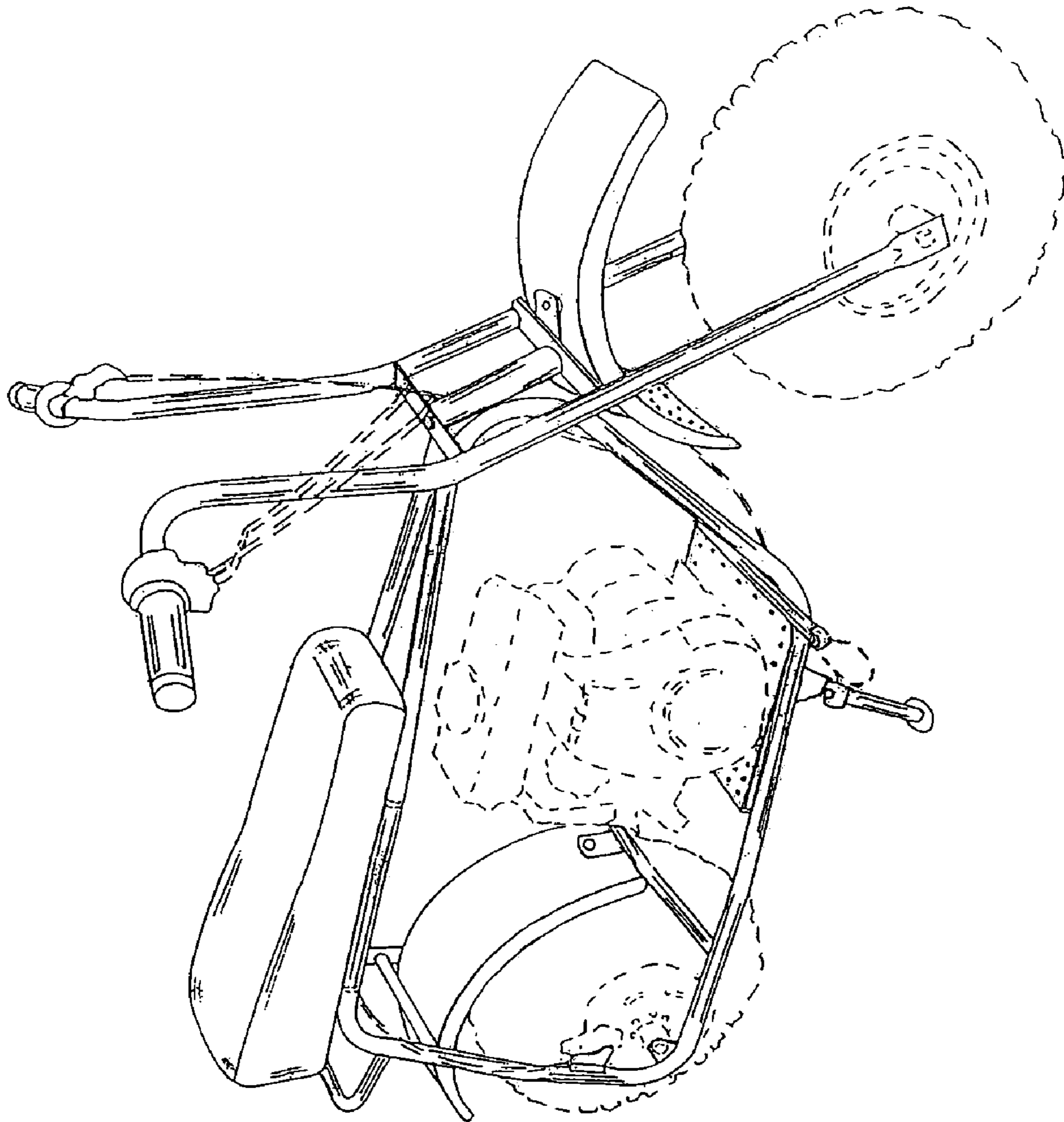


Figure 7

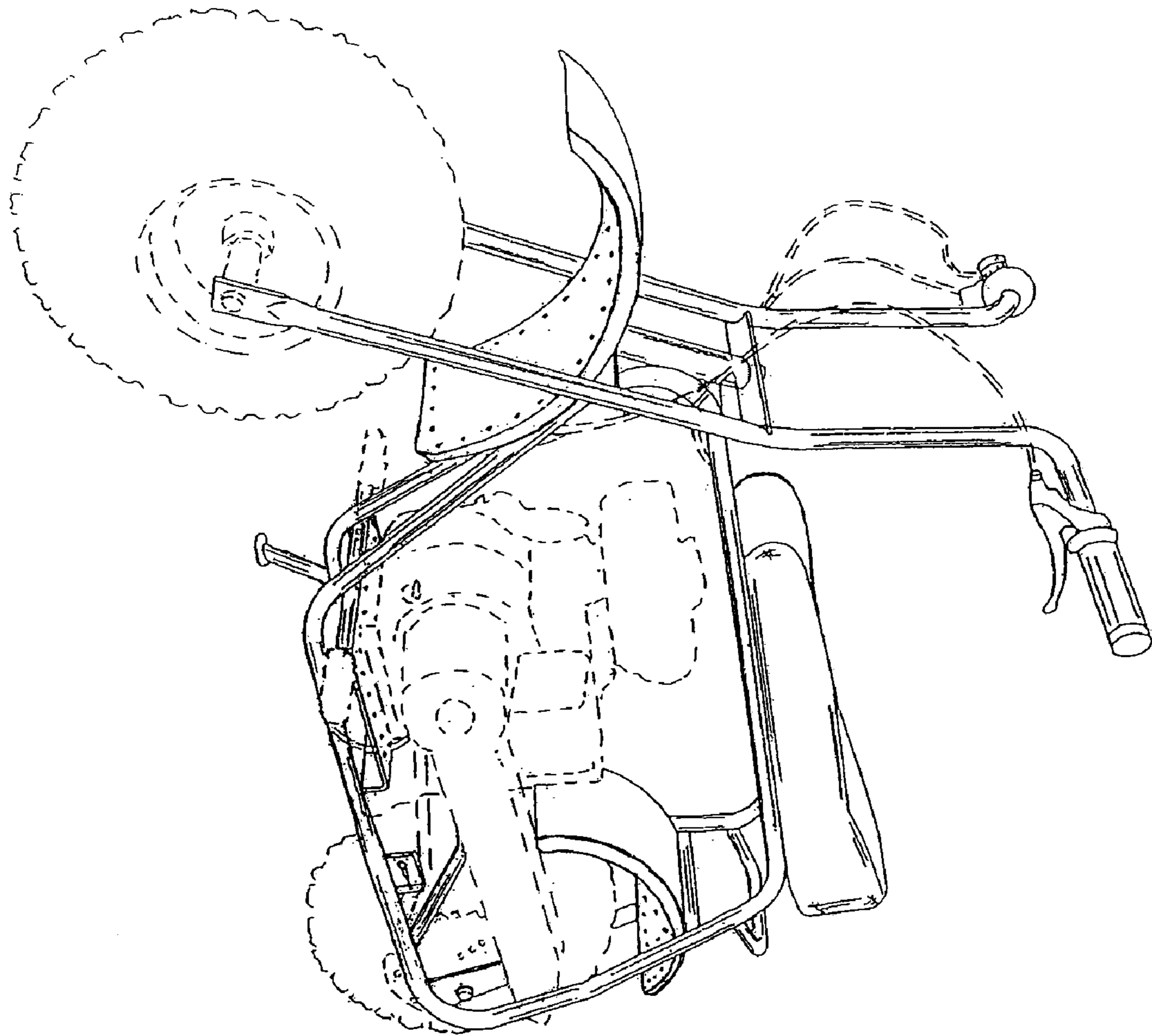


Figure 8

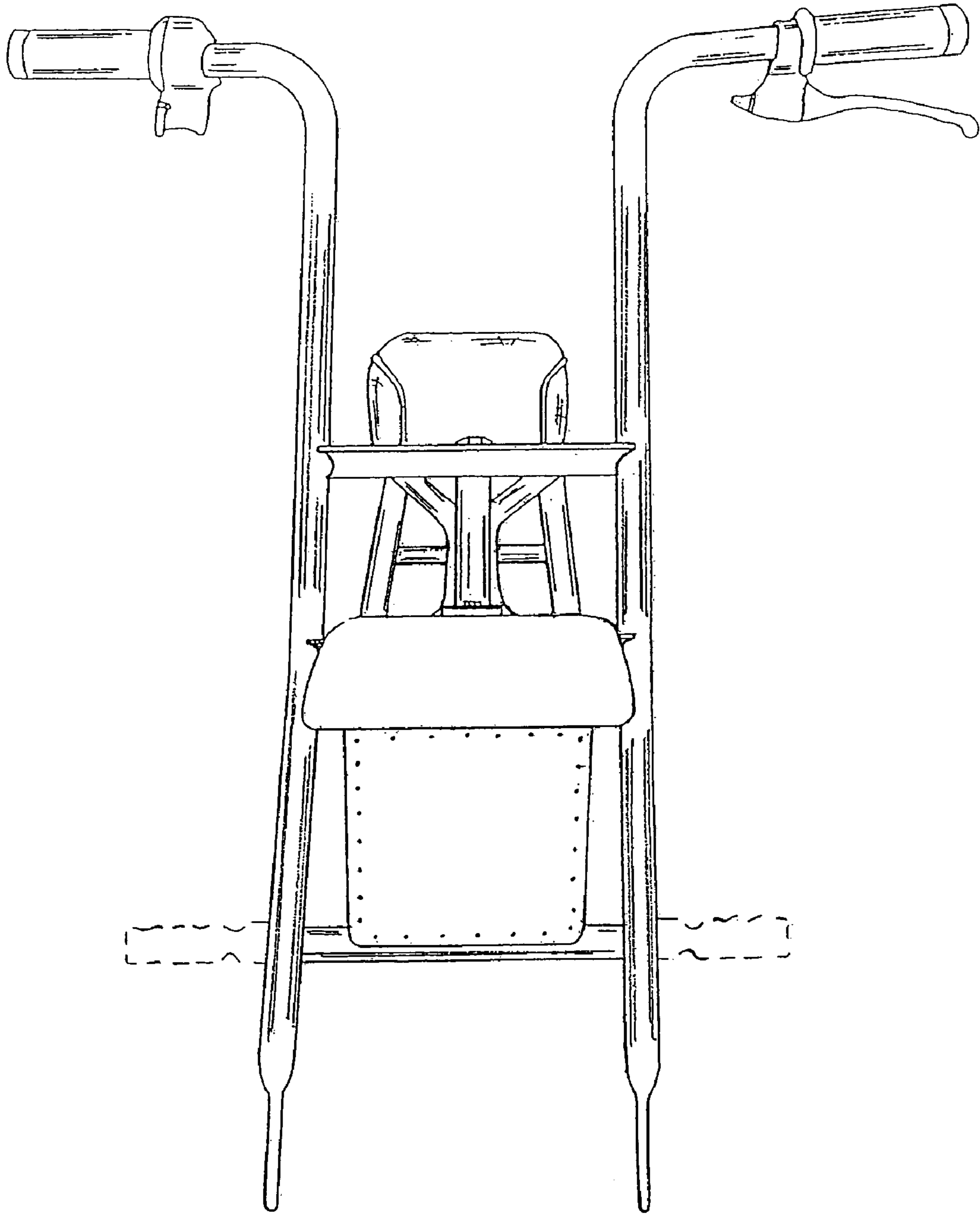


Figure 9

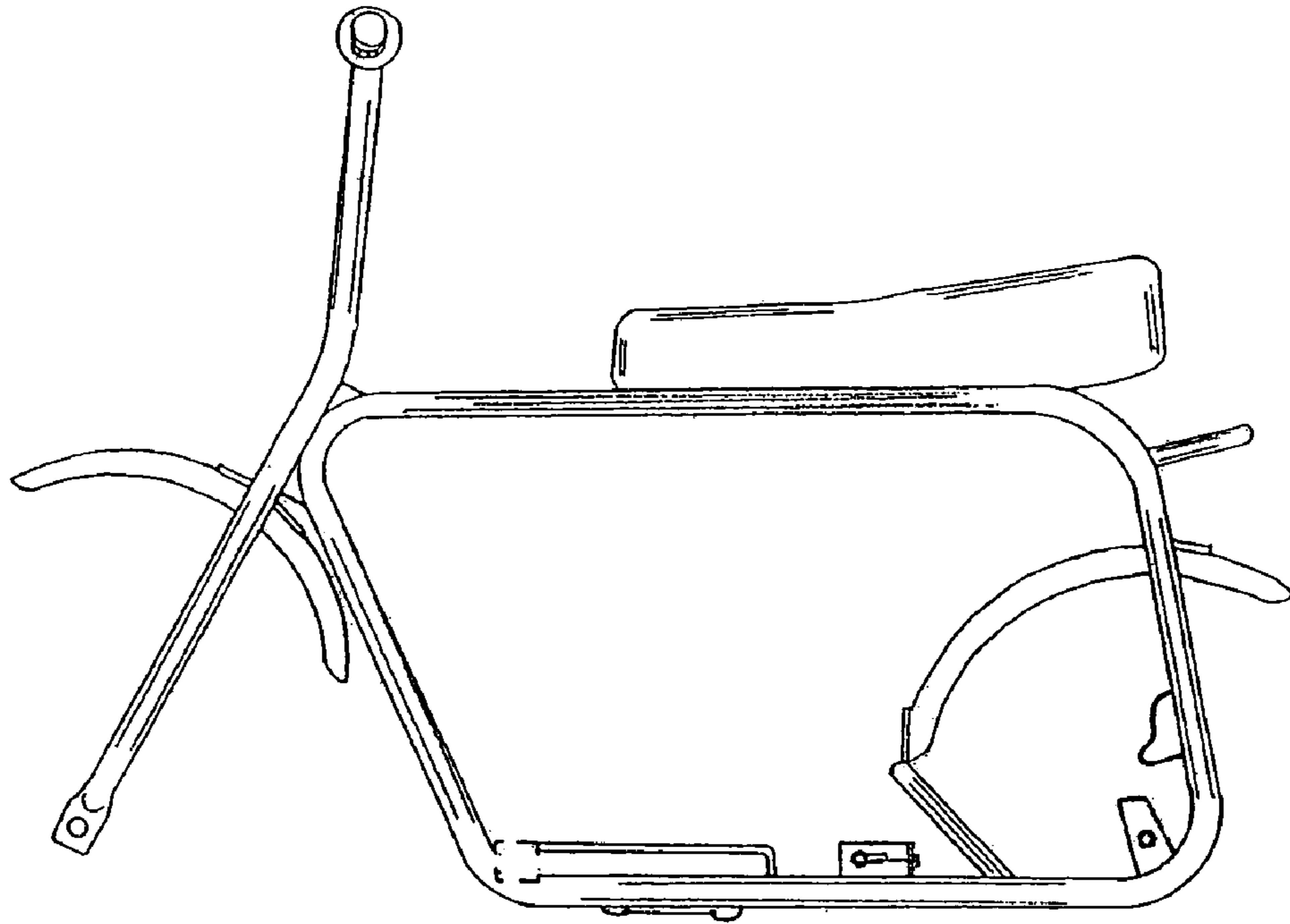


Figure 10

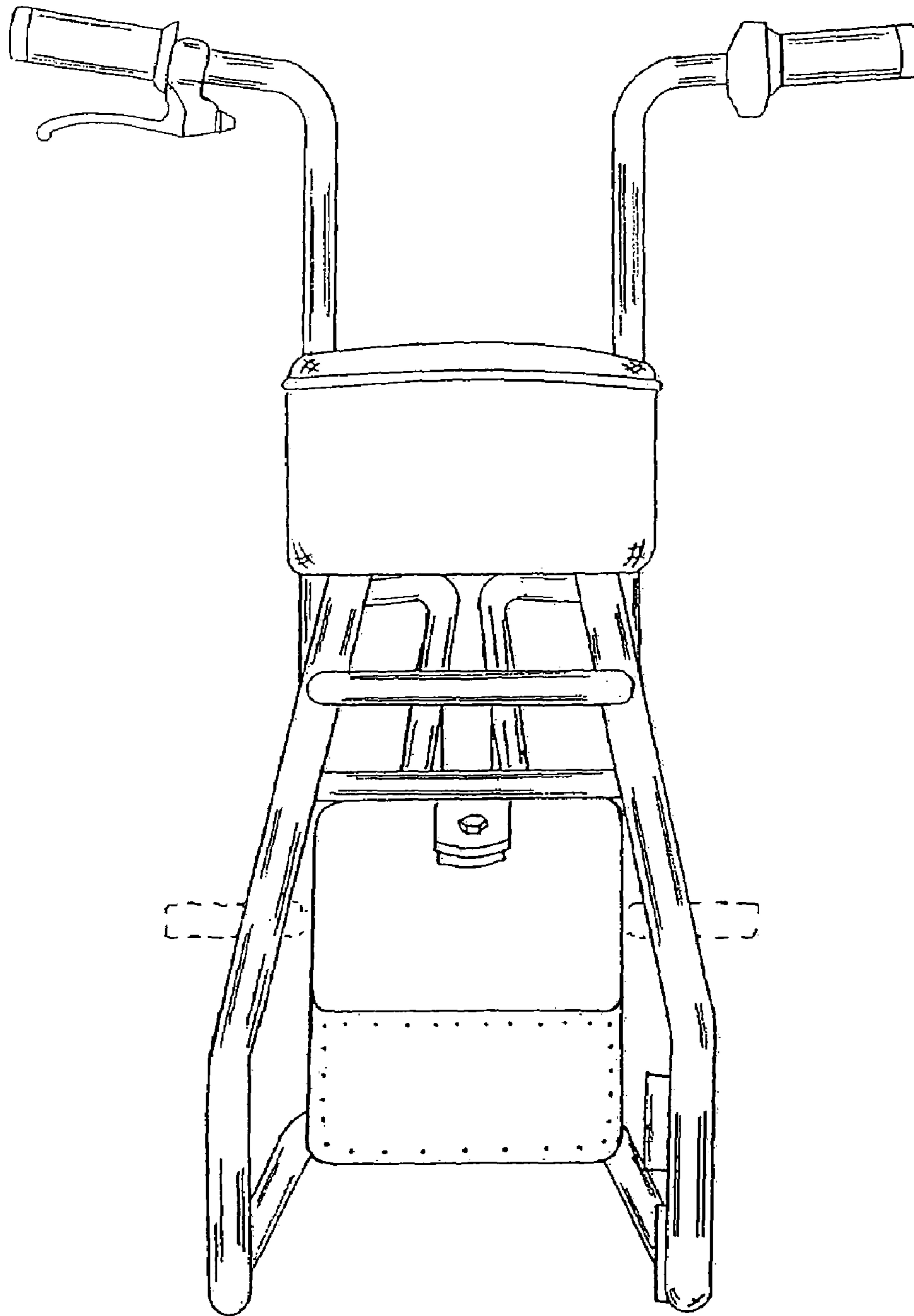


Figure 11

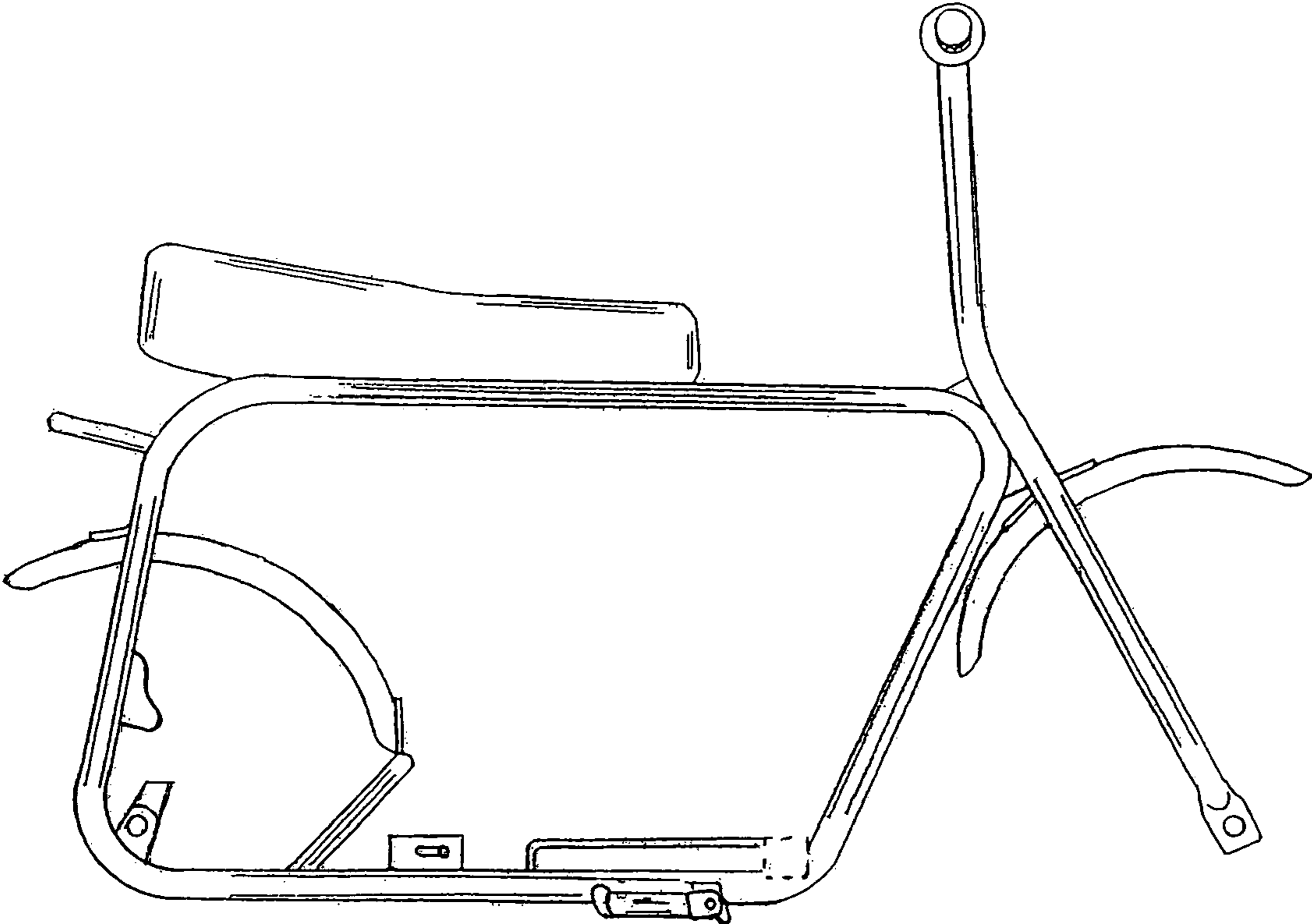


Figure 12

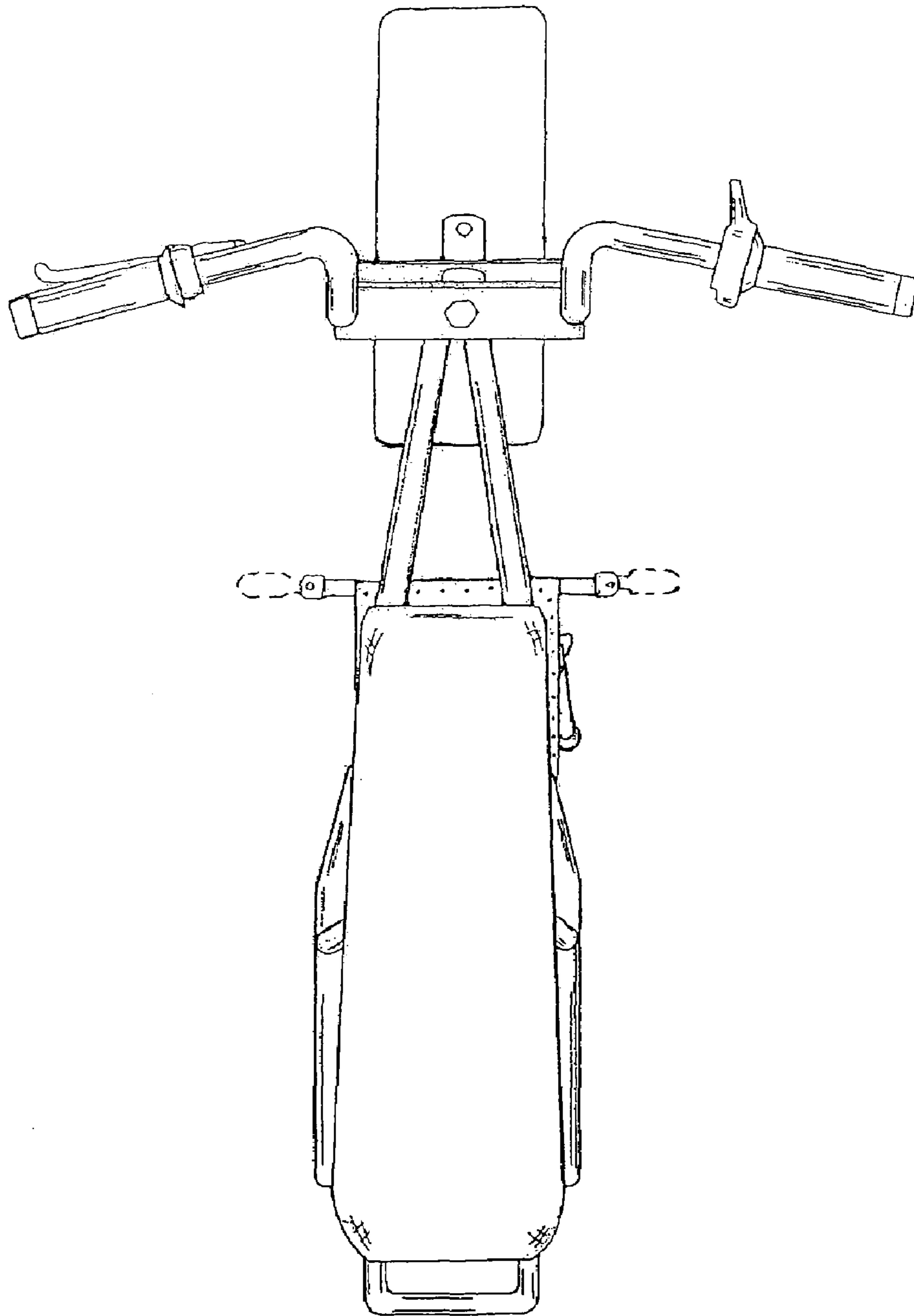


Figure 13

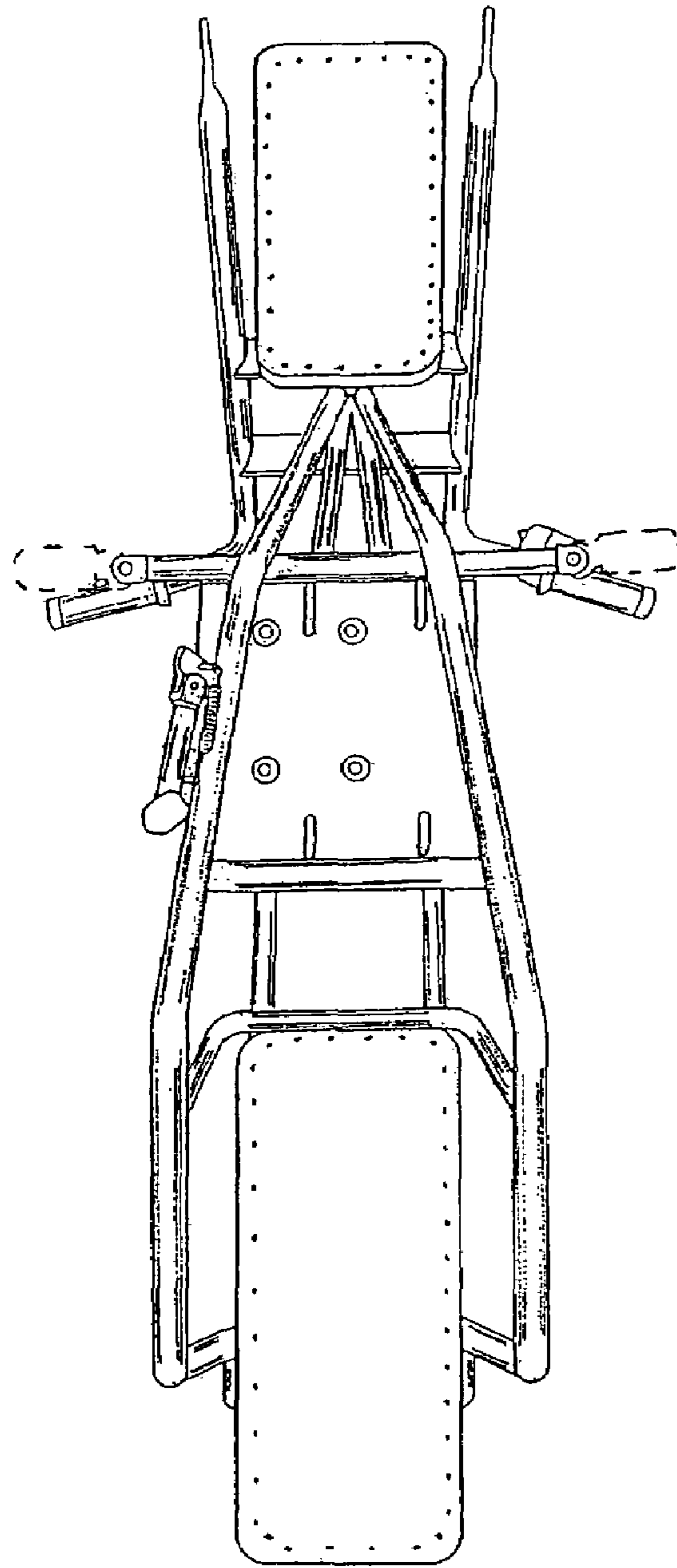


Figure 14

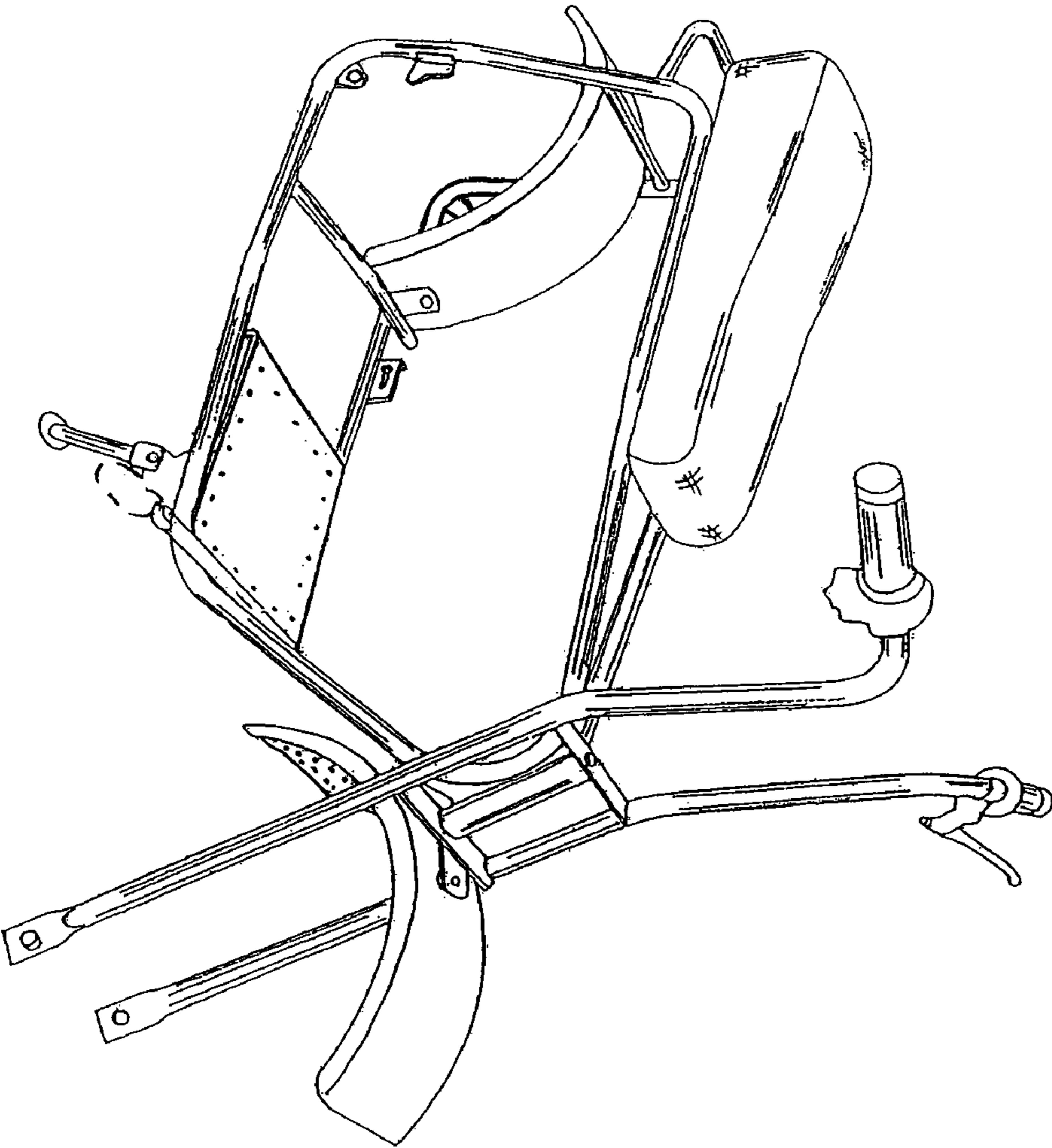


Figure 15

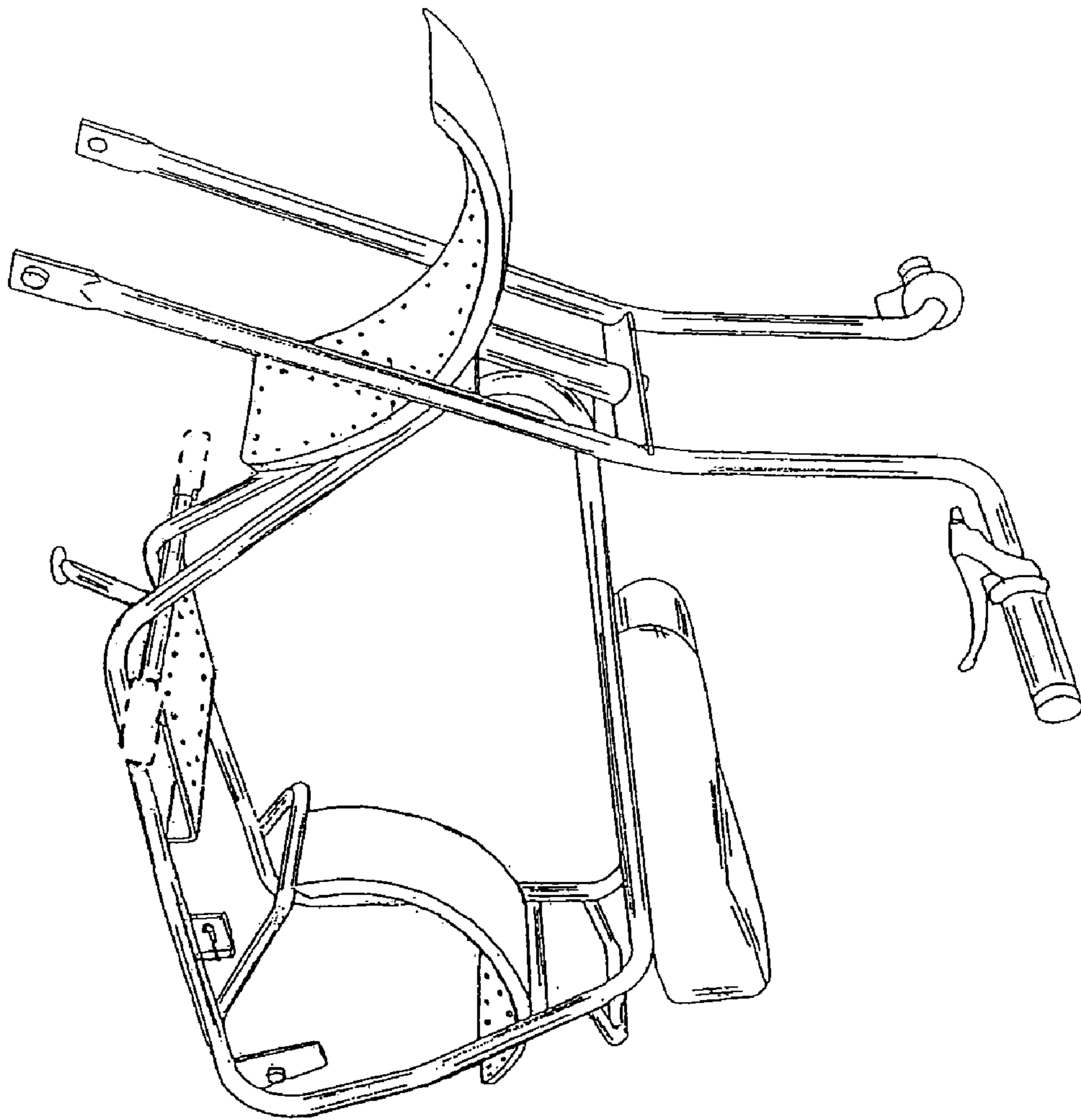


Figure 16